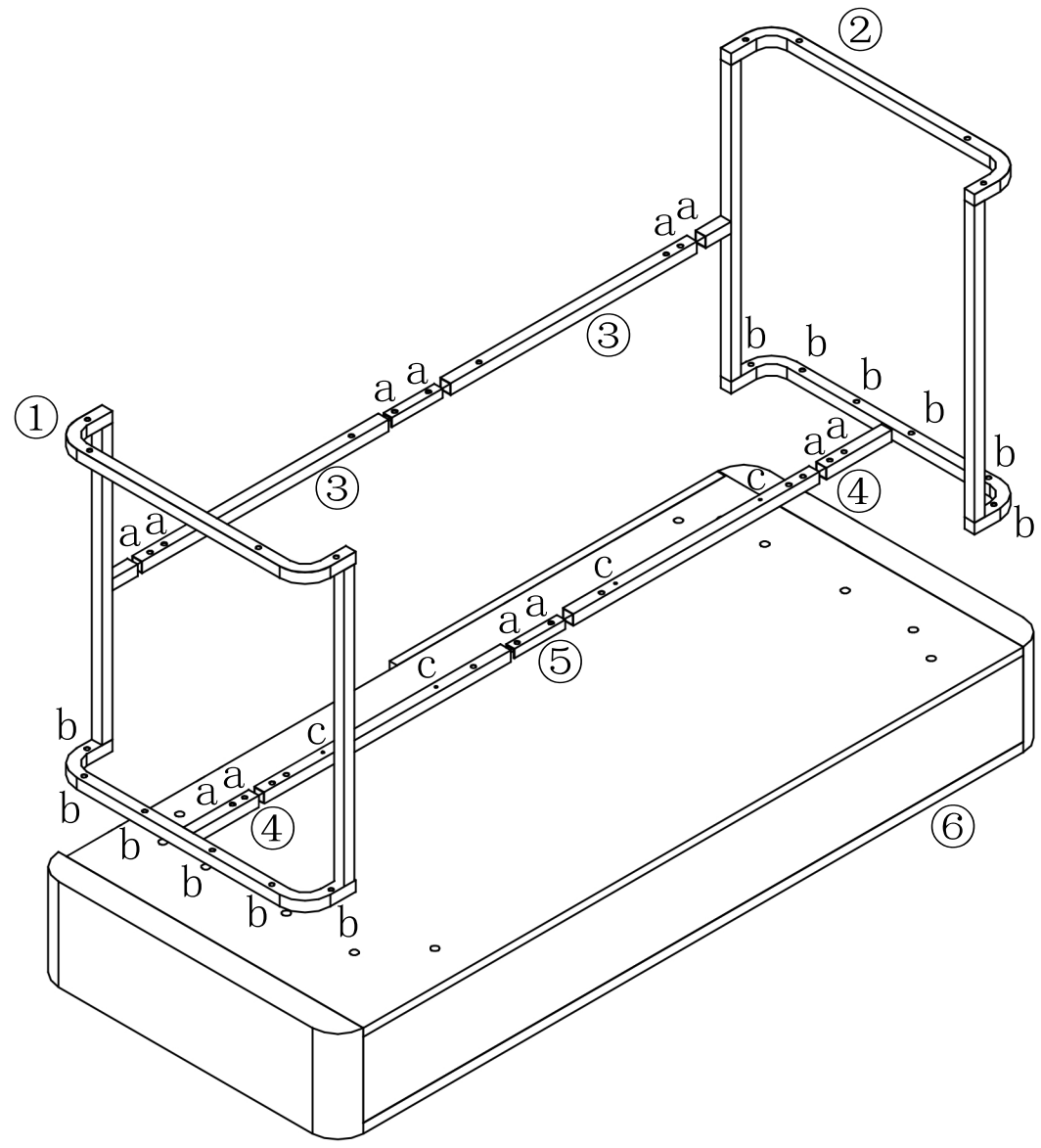


NO.	Parts	Quantity
①		1
②		1
③	shaft	2
④	long	2
⑤		2
⑥		1

STEP 1



NO.	Parts	Quantity
a		M8*15=12
b		M6*35=12
c		M4*20=4

STEP 2

