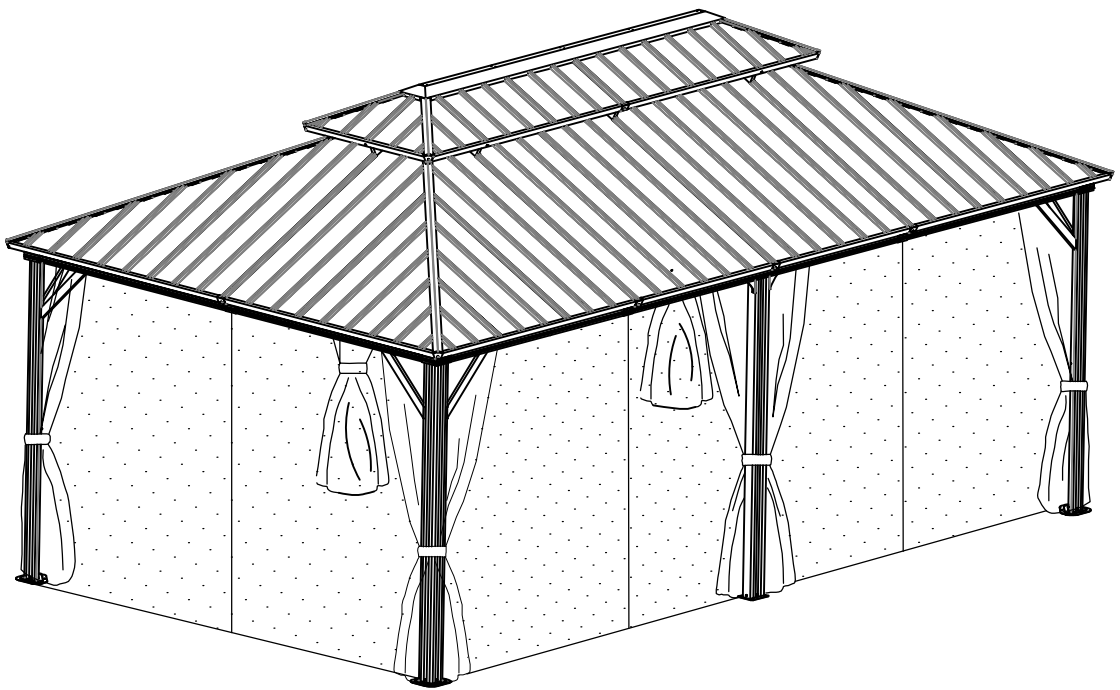
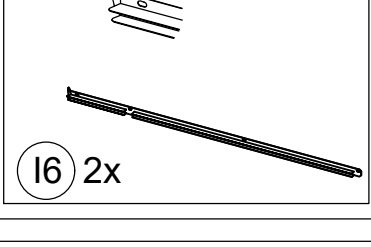
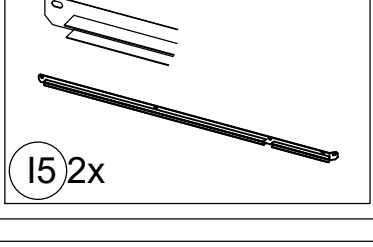
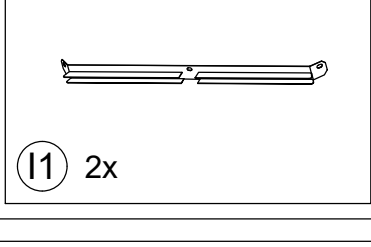
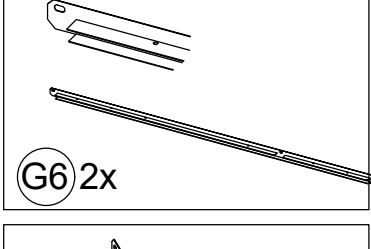
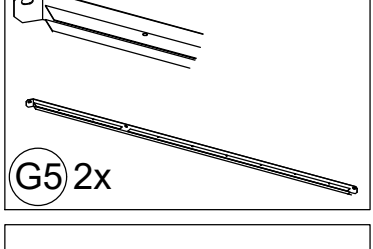
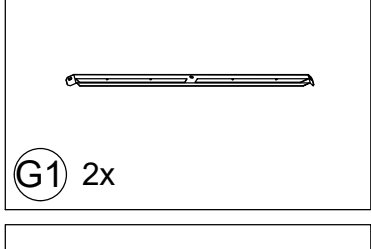
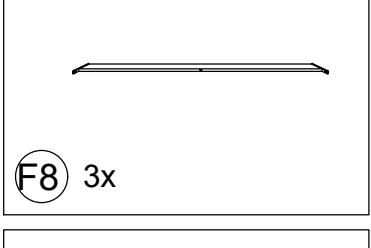
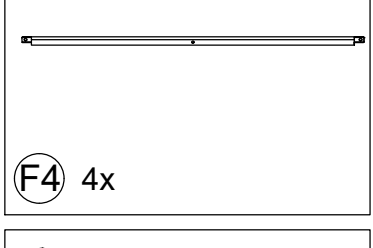
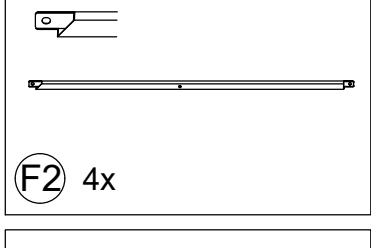
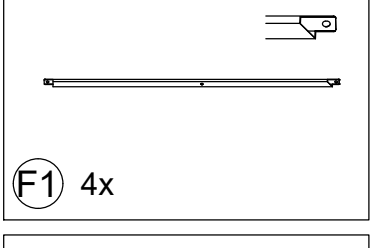
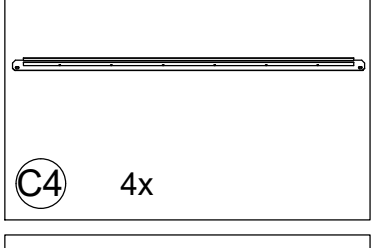
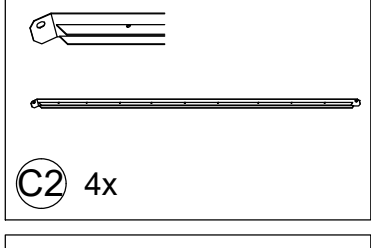
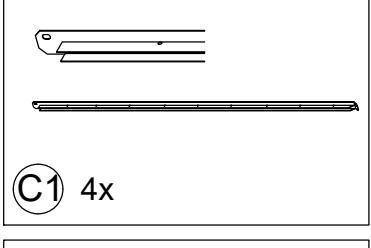
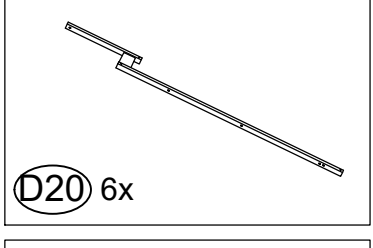
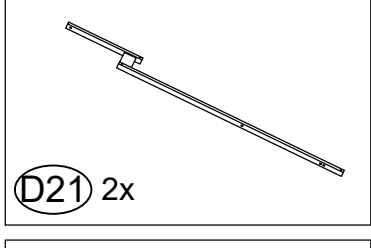
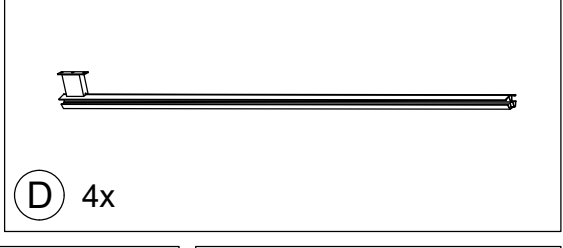
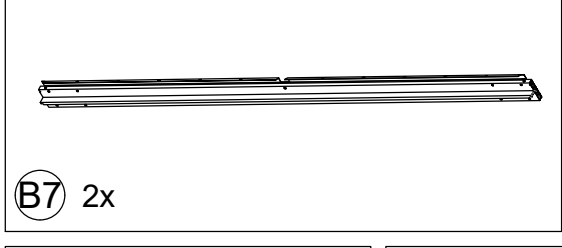
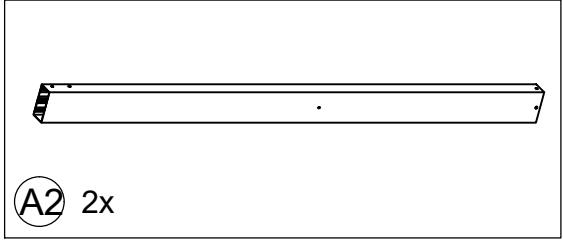
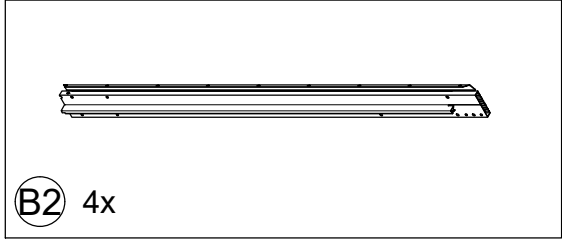
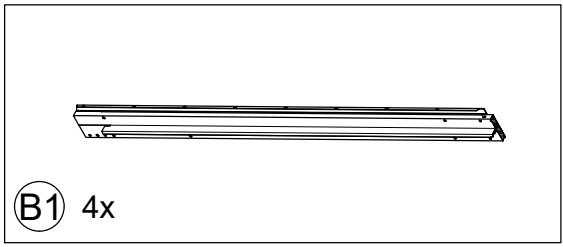
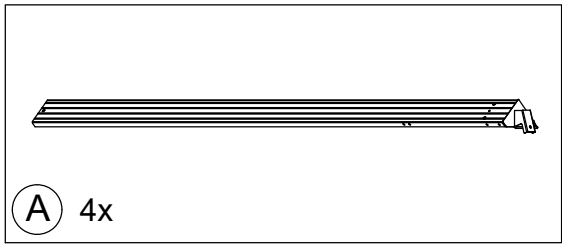
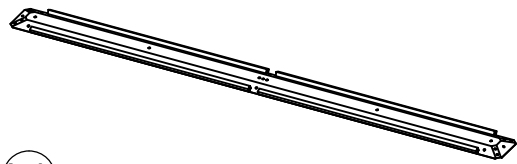


# 12 x 20FT

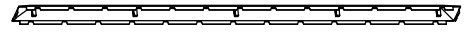
□ □ □ □ □ □ □ □ WQG-026-3 □ □ □ □ □ □ □ □



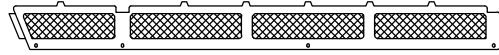




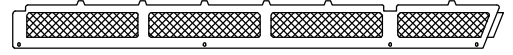
(L4) 1x



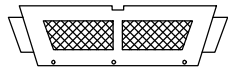
(M4) 1x



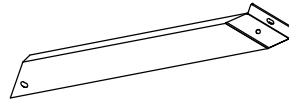
(V4a) 2x



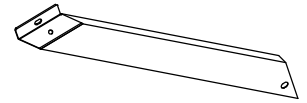
(V4b) 2x



(V1) 2x



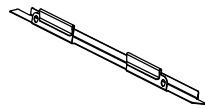
(H) 4x



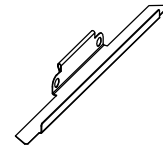
(H1) 4x



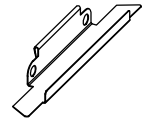
(E5) 4x



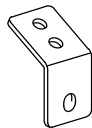
(Z) 64x



(Z1) 8x



(Z2) 8x



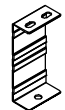
(Q1) 8x



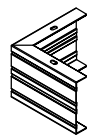
(N) 12x



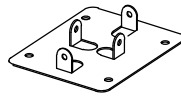
(N1) 10x



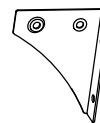
(K1) 6x



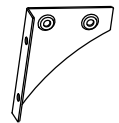
(K) 4x



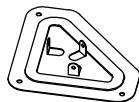
(J1) 2x



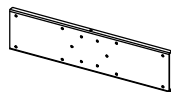
(W1) 2x



(W2) 2x



(J) 4x



(P) 6x



(V) 6x



(Y) 96x



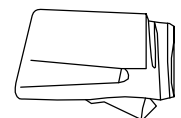
(U) 152x



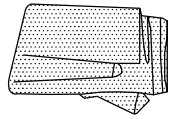
(Q3) 8x



(Q4) 8x



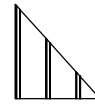
(T) 4x + 2x



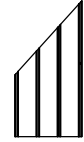
(T1) 4x + 2x



(X1) 4x



(X2) 4x



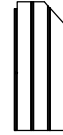
(X3) 4x



(X4) 4x



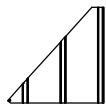
(X5) 4x



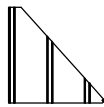
(X6) 4x



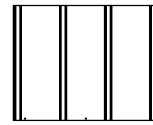
(X7) 4x



(S1) 4x



(S2) 4x



(S3) 8x



(X8) 4x



M6x15

(1) 245x



M6x23

(2) 84x



M6x25

(3) 16x



ST 4.8x12

(4) 8x



(5) 3x



M6x45

(7) 12x



(8) 16x

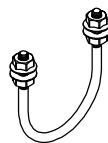


M6x10

(9) 12x



(10) 20x

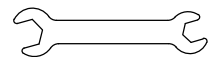


(11) 1x



4mm

(12) 2x



(14) 1x



M5x15

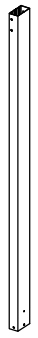
(15) 32x

<1>

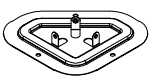
A 4x



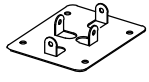
A2 2x



J 4x



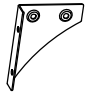
J1 2x



W1 2x



W2 2x



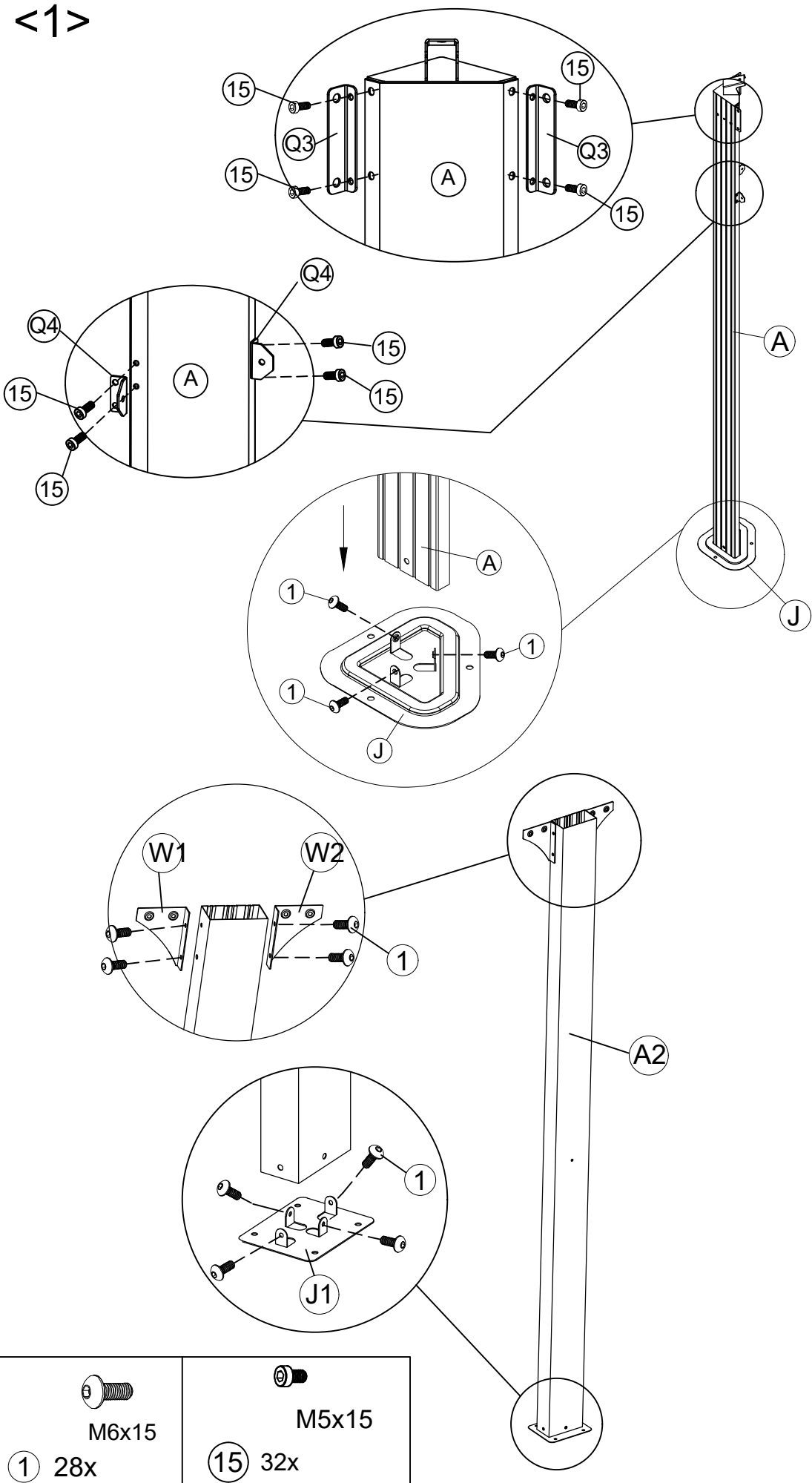
Q3 8x



Q4 8x

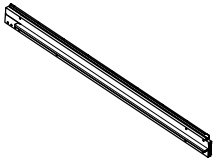


5

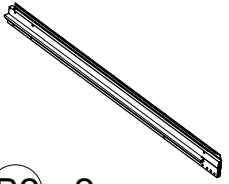


① 28x	⑮ 32x

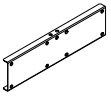
<2>



B1 2x



B2 2x

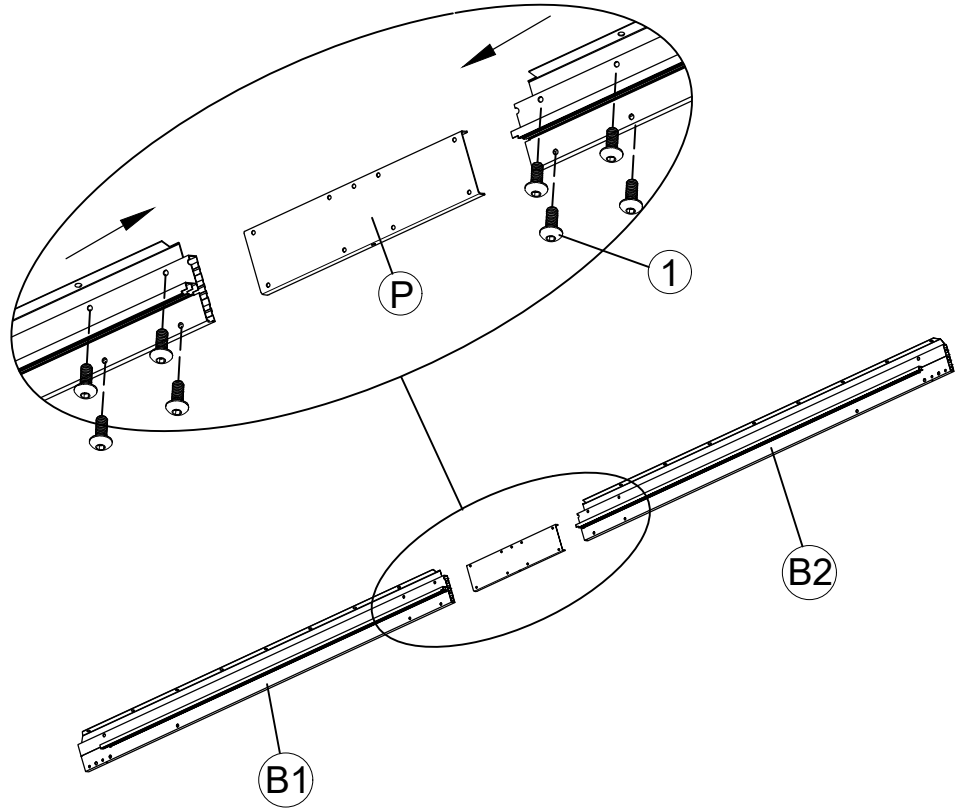


P 2x



M6x15

1 16x



<3>



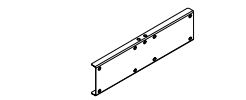
B1 2x



B2 2x



B7 2x

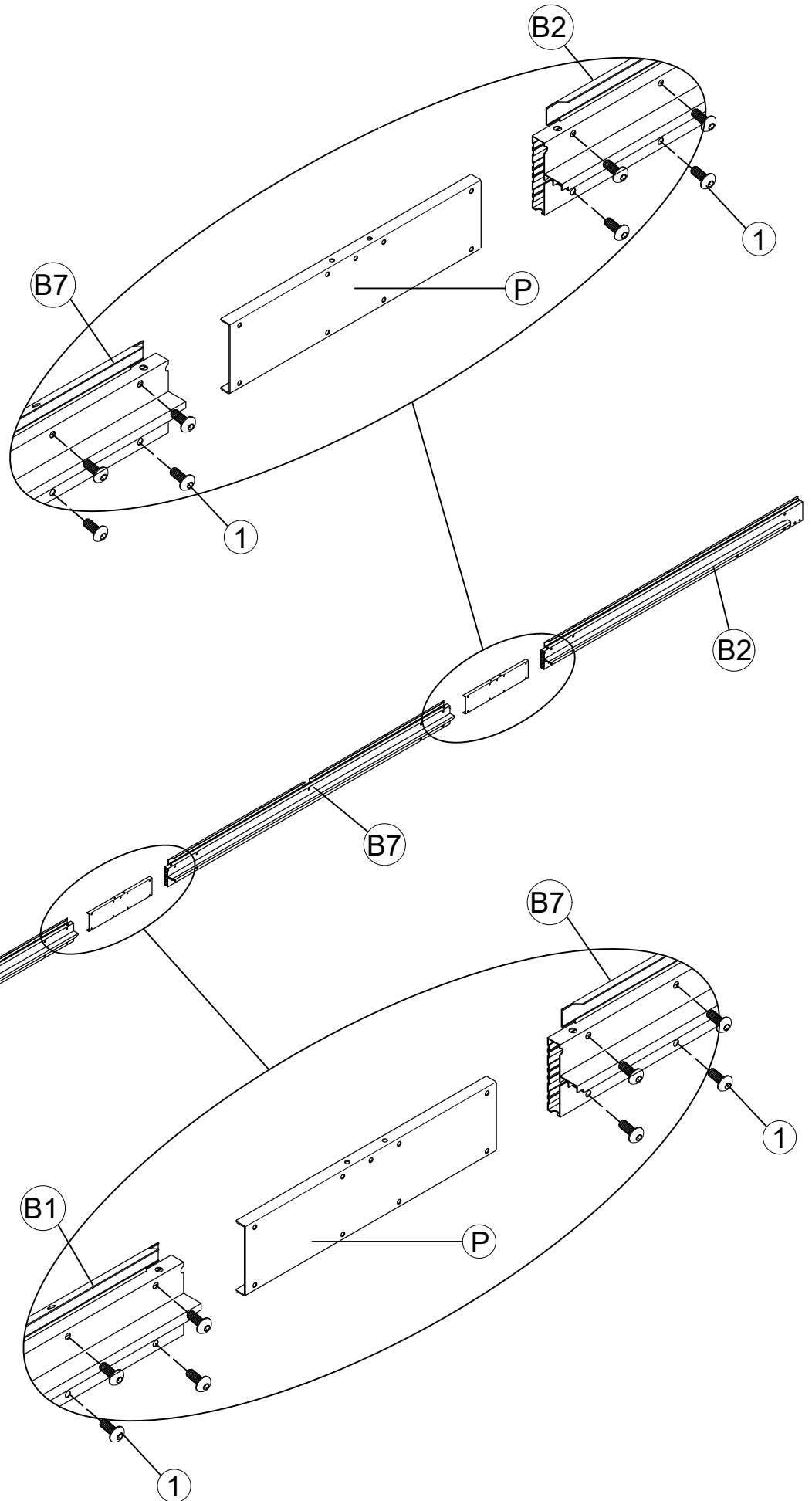


P 4x



M6x15

1 32x



<4>

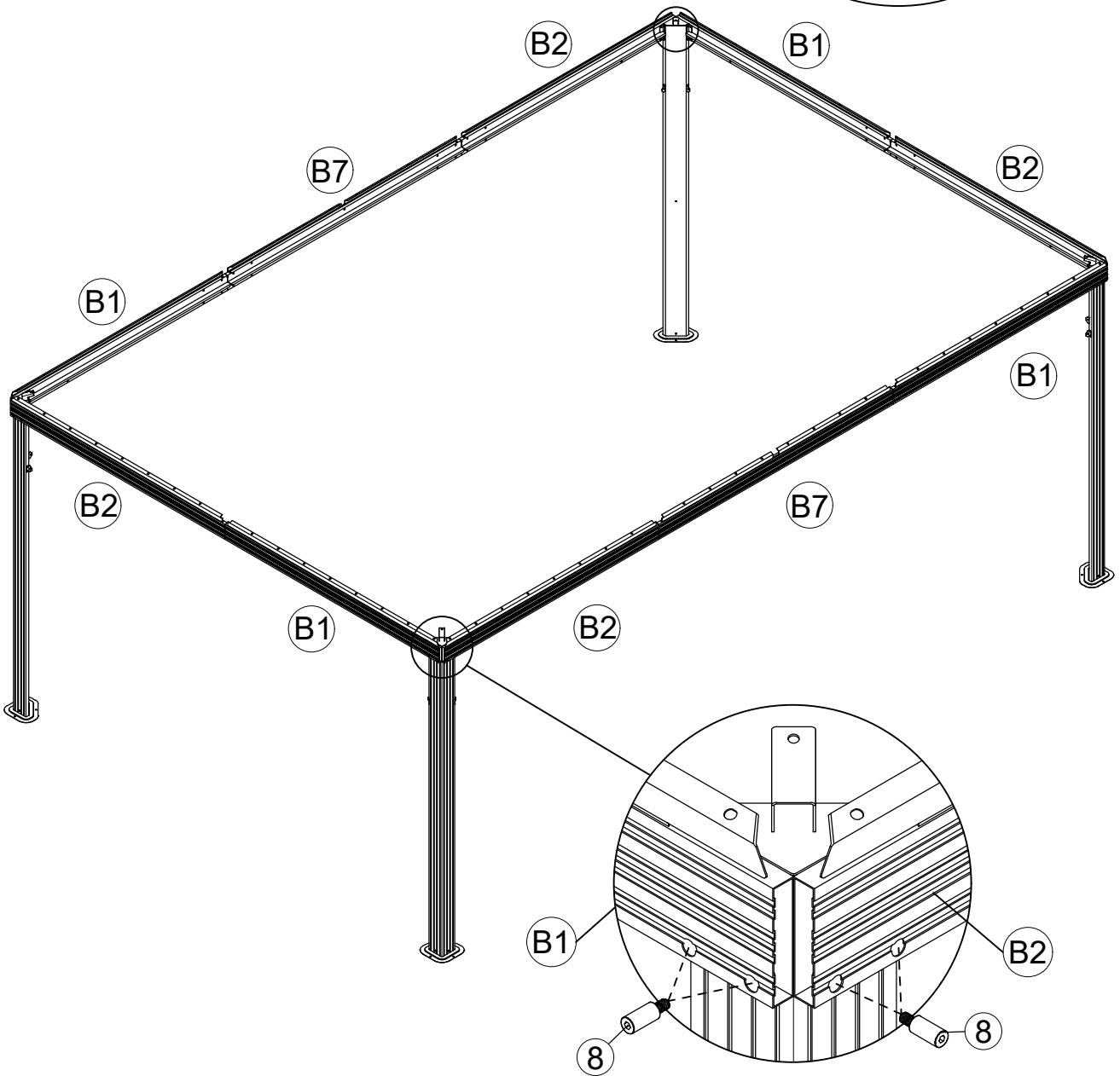
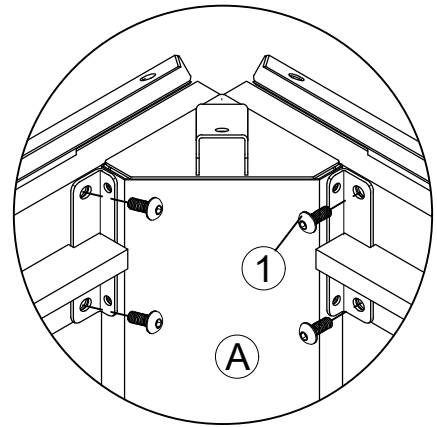


8 16x

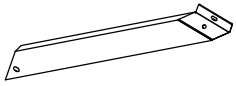


M6x15

1 16x

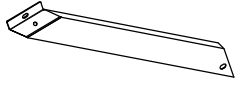


8



<5>

(H) 4x

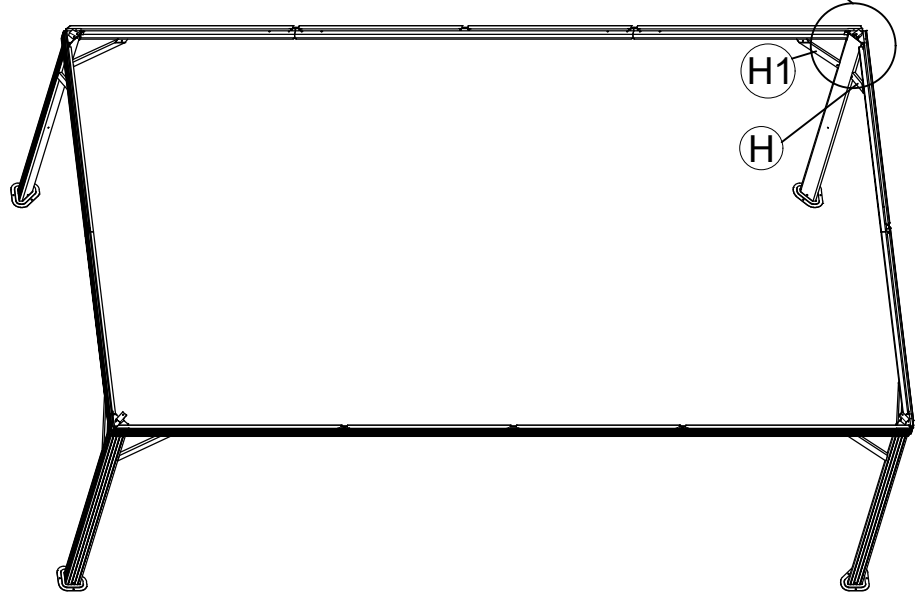
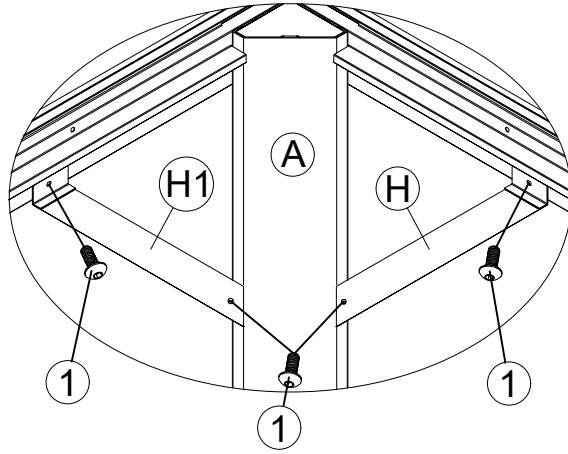


(H1) 4x

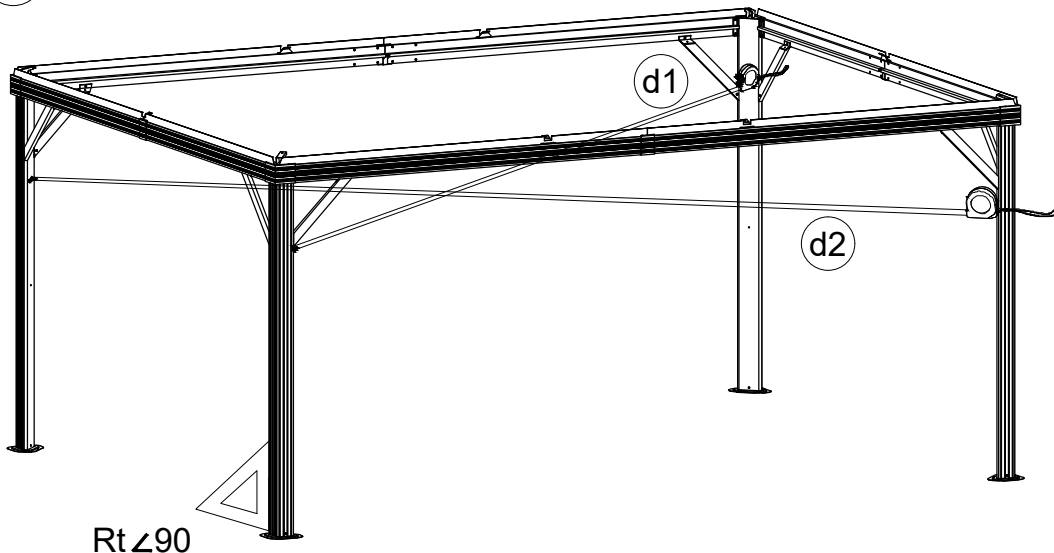


M6x15

(1) 16x



(i)  $d1=d2$

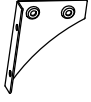


Tips: Please measure to make sure the length of d1 is equal to d2 before moving to next step to ensure a square frame and best results. Keep the beam at right angles to the post, the post at right angles to the ground, and keep the beam horizontal.

<6>



W1 2x



W2 2x

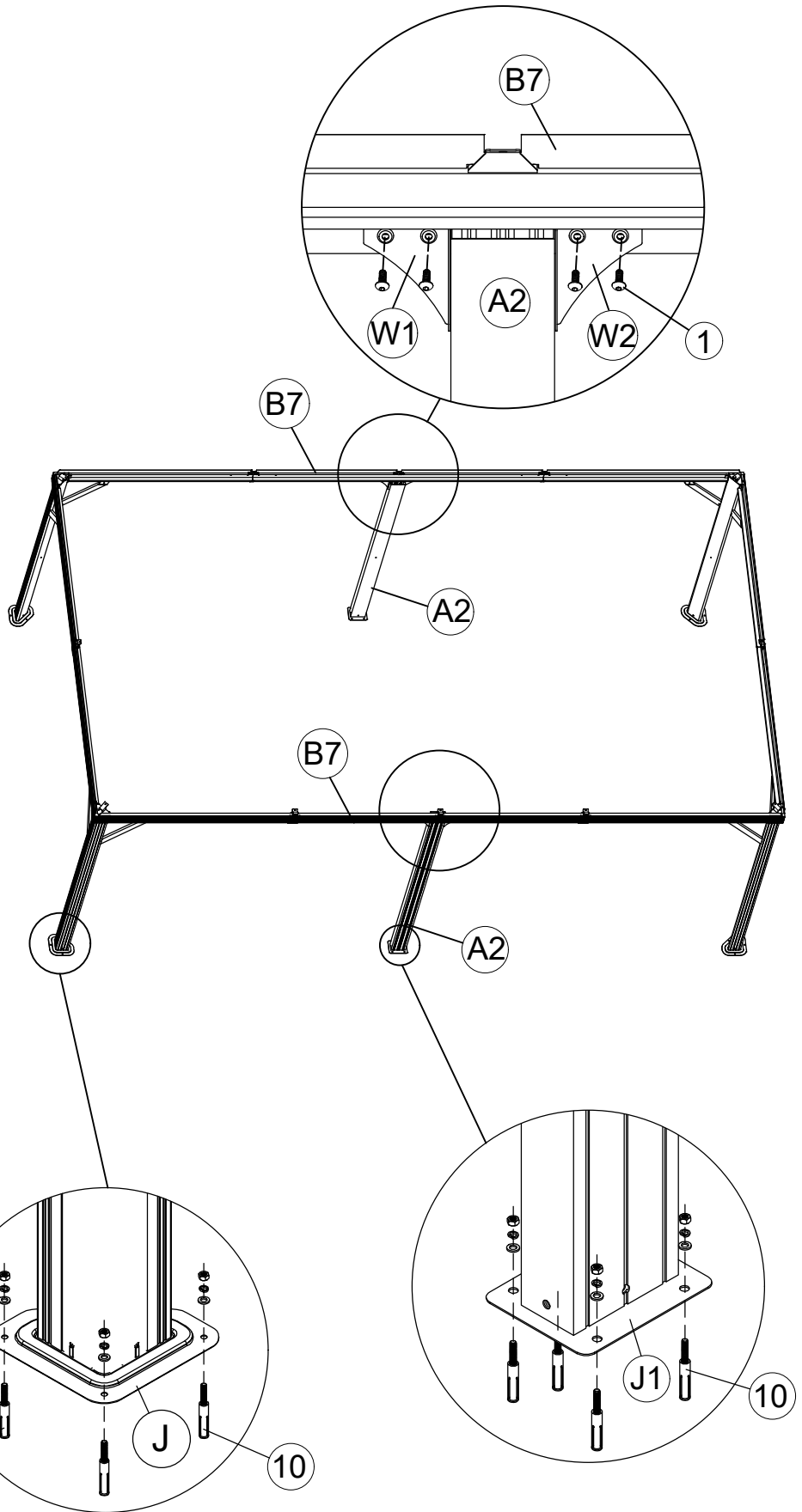


M6x15

1 8x

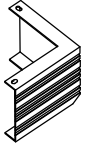


10 20x

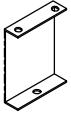


10

<7>



(K) 4x



(K1) 6x



(U) 152x



(V) 6x



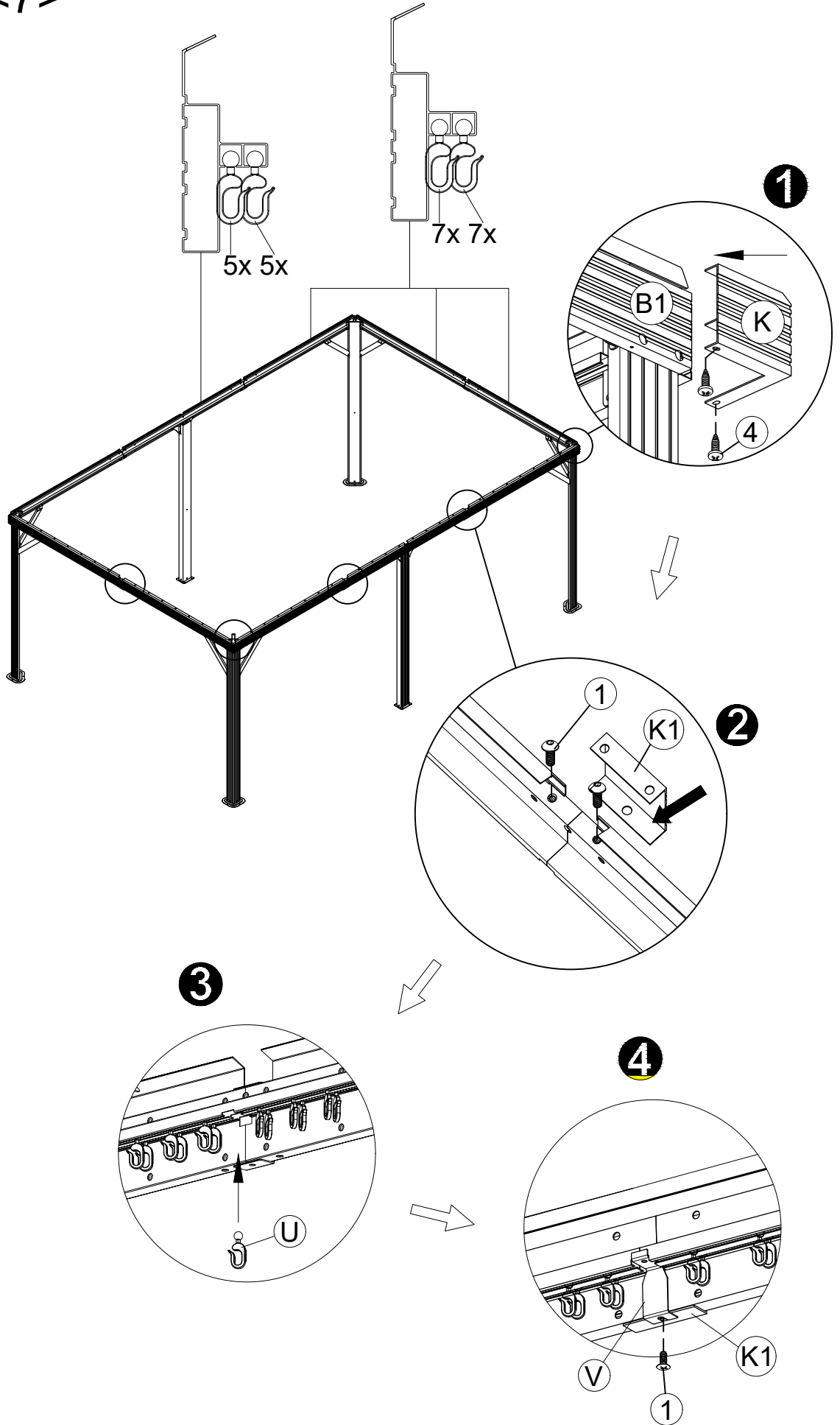
M6x15

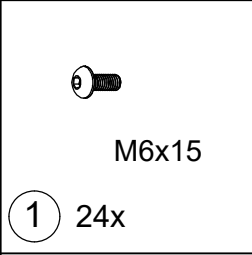
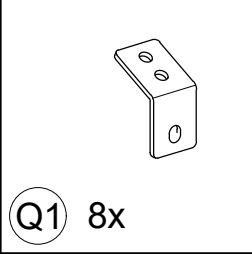
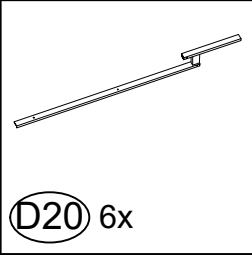
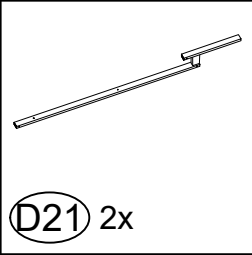
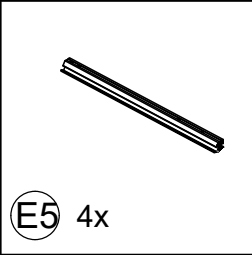
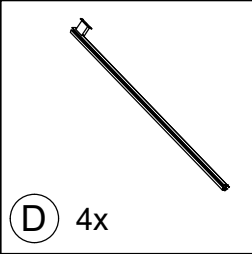
(1) 18x



ST4.8x12

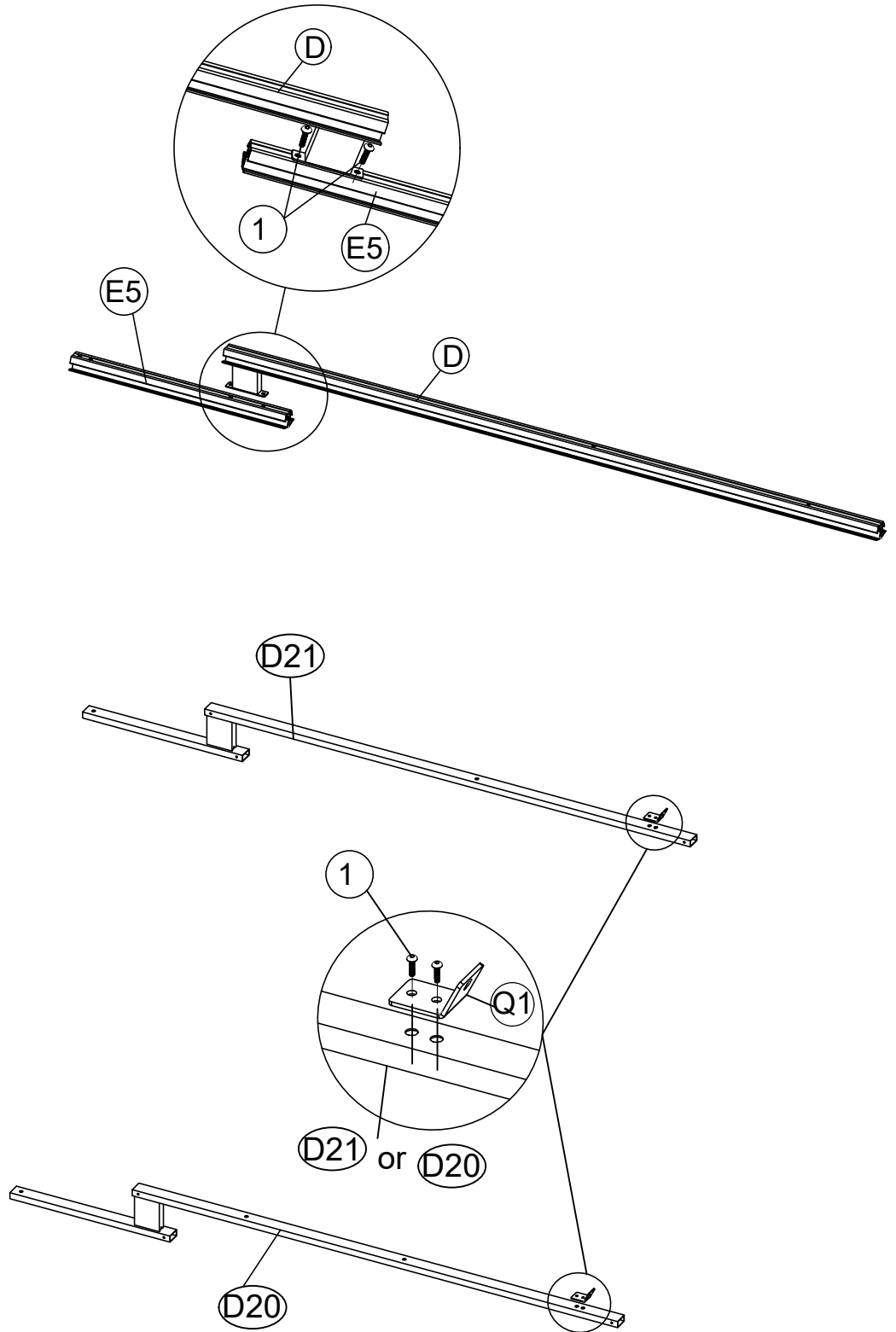
(4) 8x





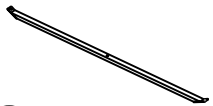
12

<8>

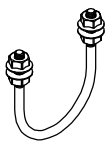




L4 1x



F8 3x



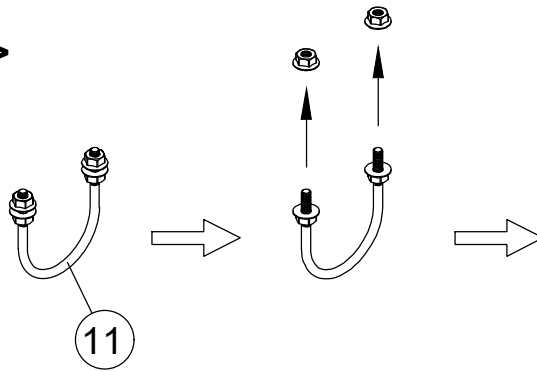
11 1x



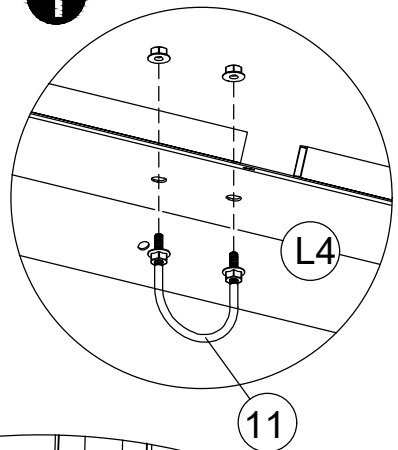
M6x15

1 18x

<9>

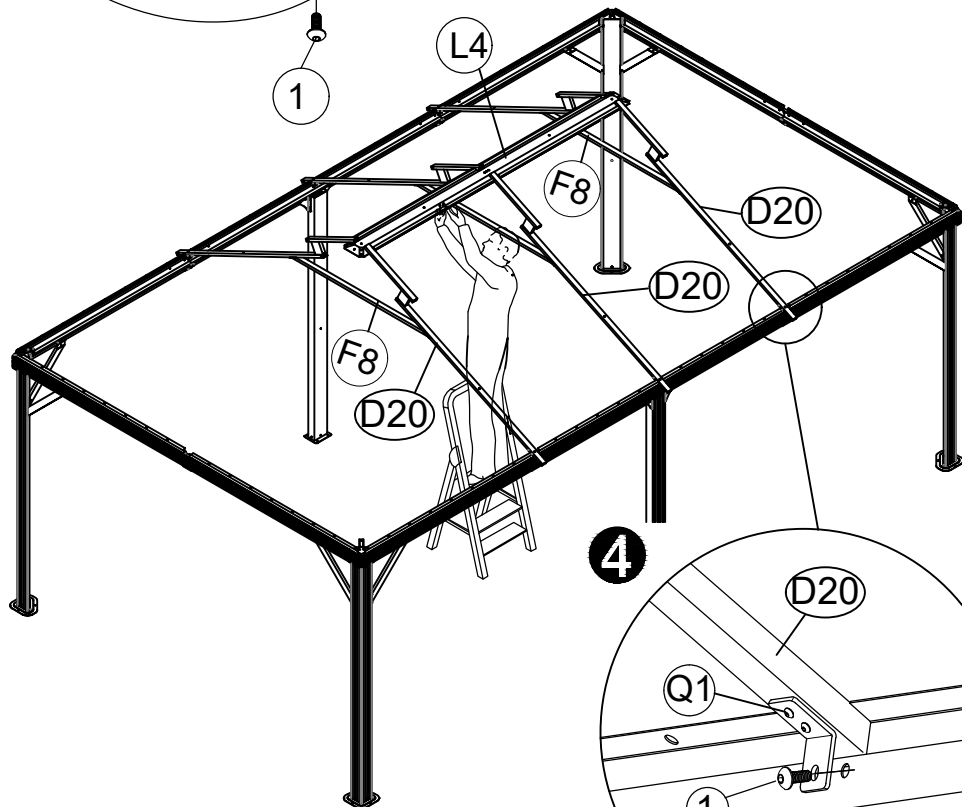
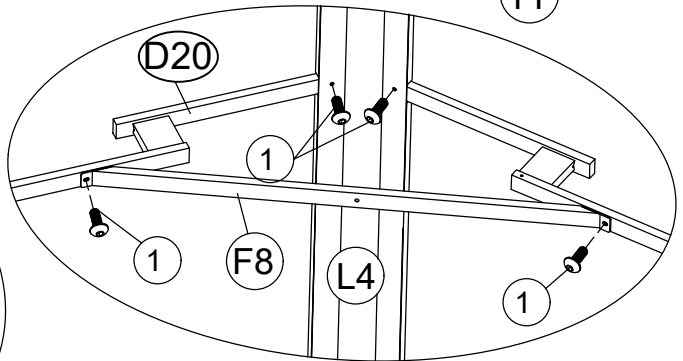
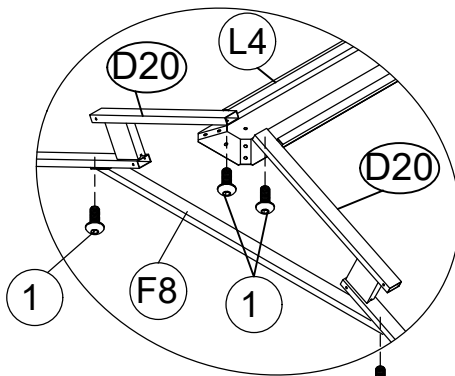


1

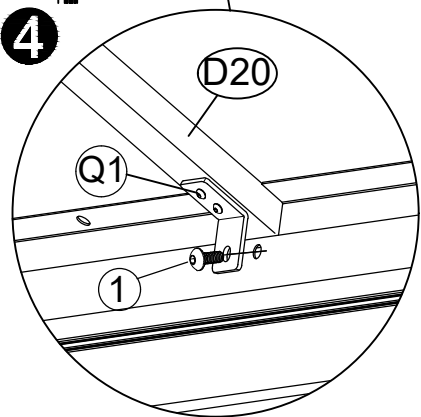


3

2



4



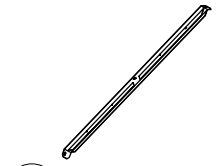
Note:

1. Let one person stand on the ladder to lift "L4" and hold and let others fasten the screws connecting both ends of "D20".

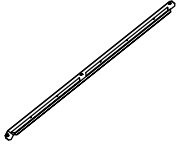
2. Please do not let go of holding "L4" until all the "D20" screws are installed.



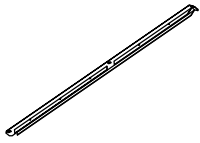
<11>



G1 2x



G5 2x



G6 2x



N 4x

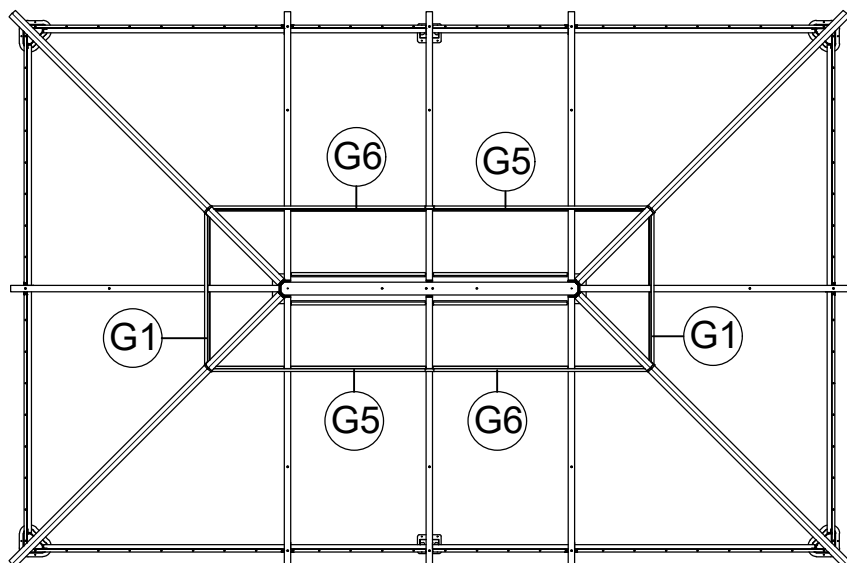
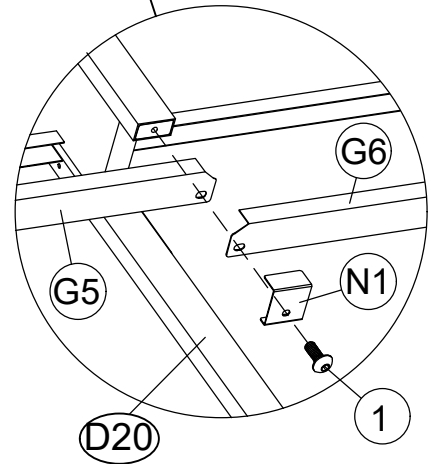
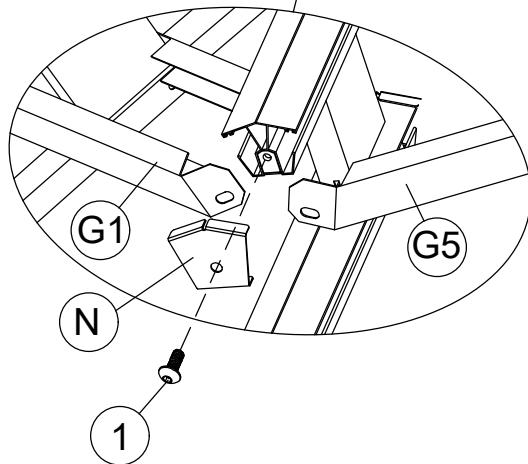
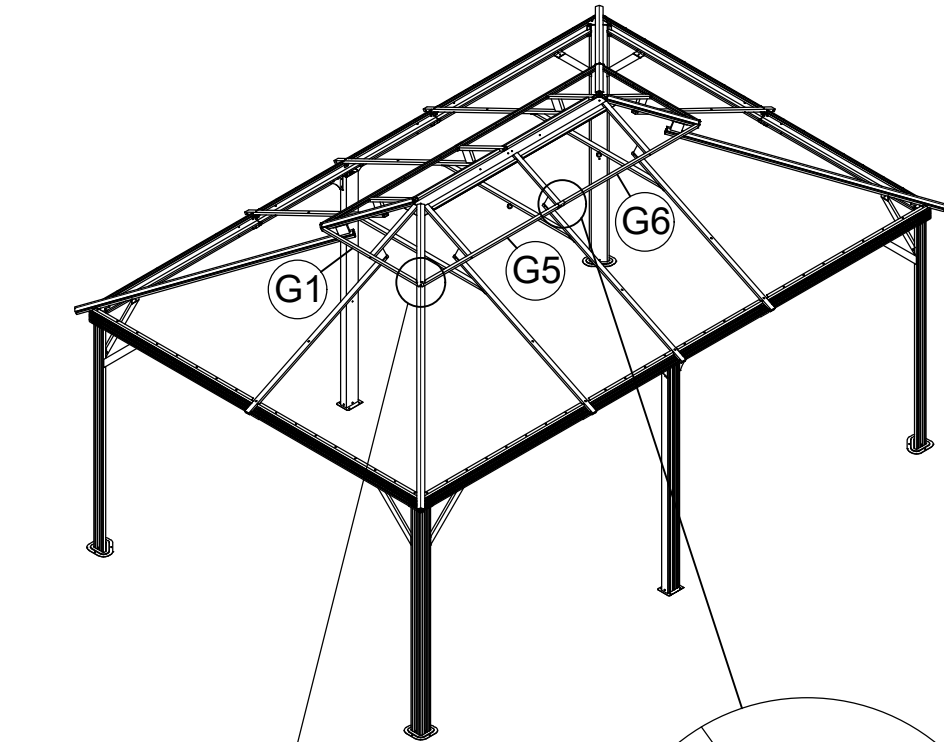


N1 2x



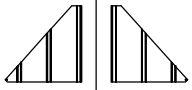
M6x15

1 12x

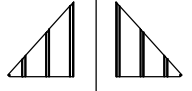


15

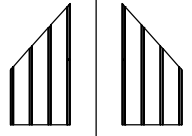
<12>



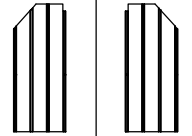
S1 2x S2 2x



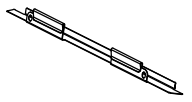
X1 2x X2 2x



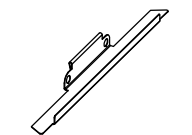
X3 2x X4 2x



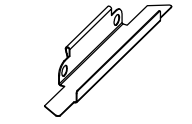
X5 2x X6 2x



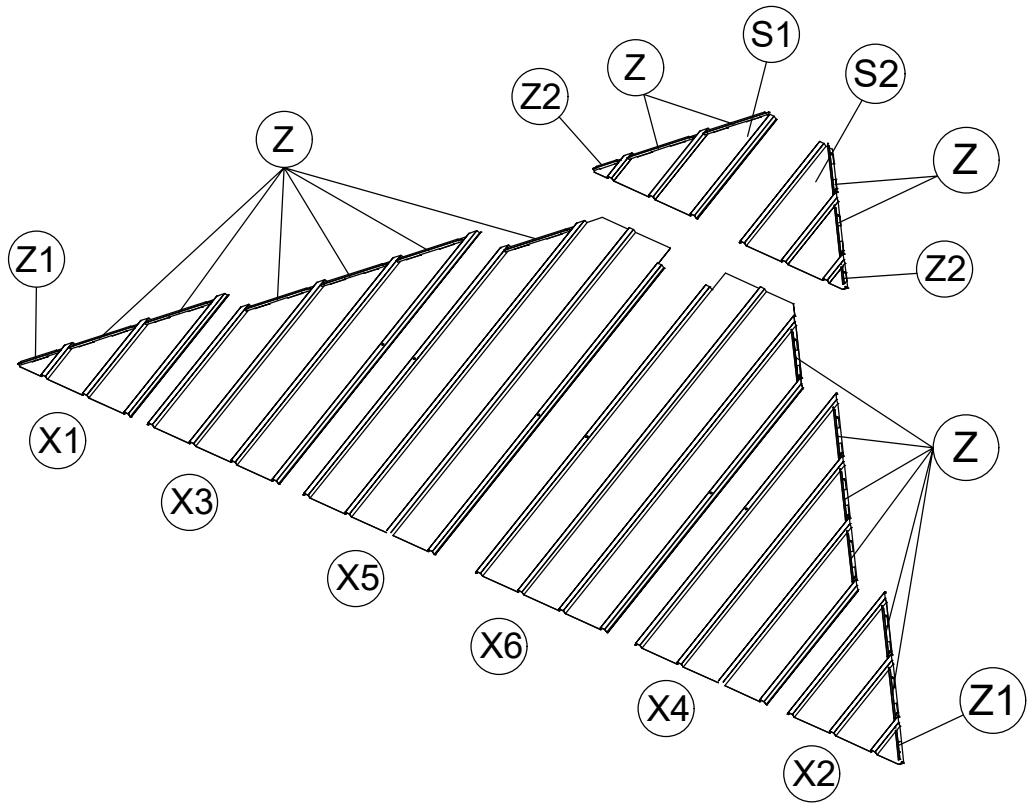
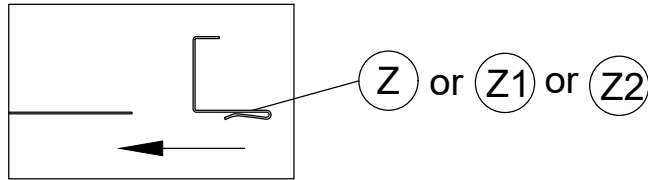
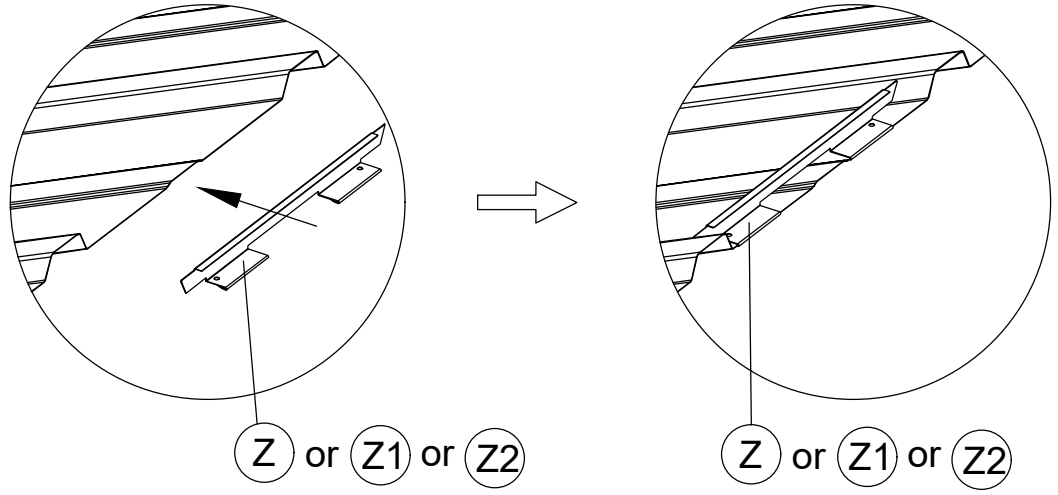
Z 32x



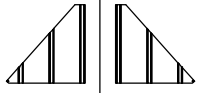
Z1 4x



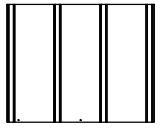
Z2 4x



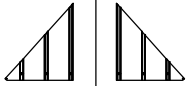
<13>



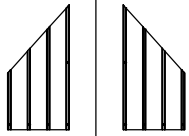
(S1) 2x (S2) 2x



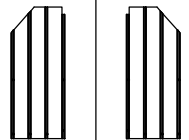
(S3) 8x



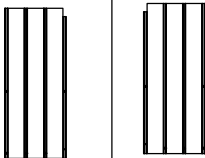
(X1) 2x (X2) 2x



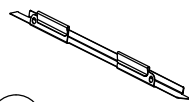
(X3) 2x (X4) 2x



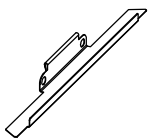
(X5) 2x (X6) 2x



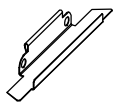
(X8) 4x (X7) 4x



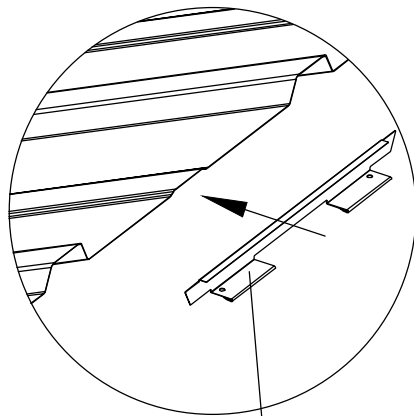
(Z) 32x



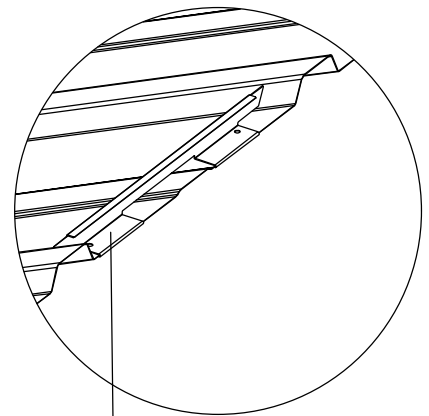
(Z1) 4x



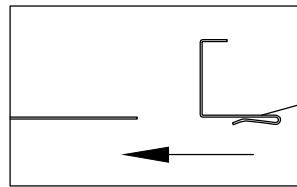
(Z2) 4x



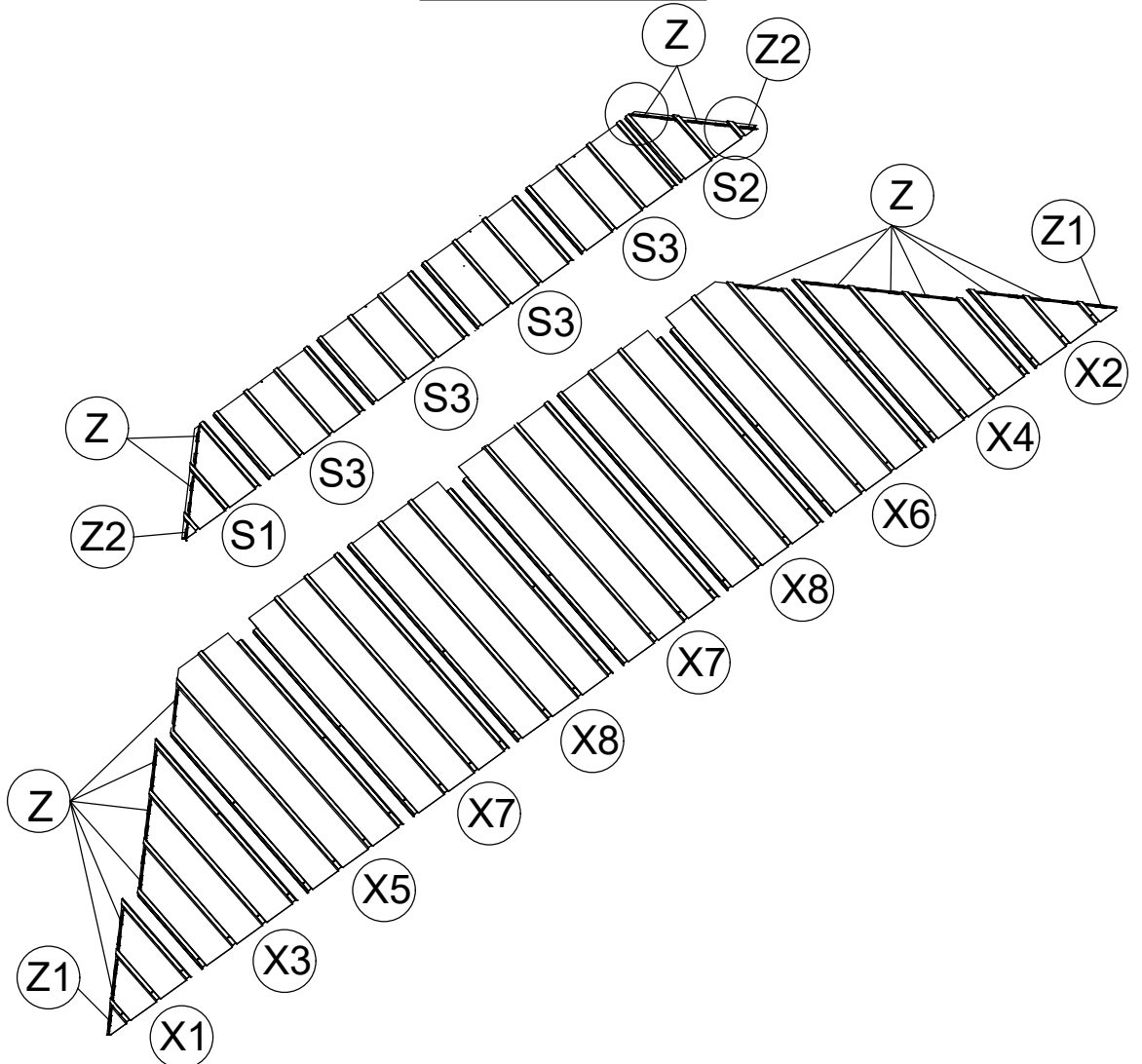
(Z) or (Z1) or (Z2)



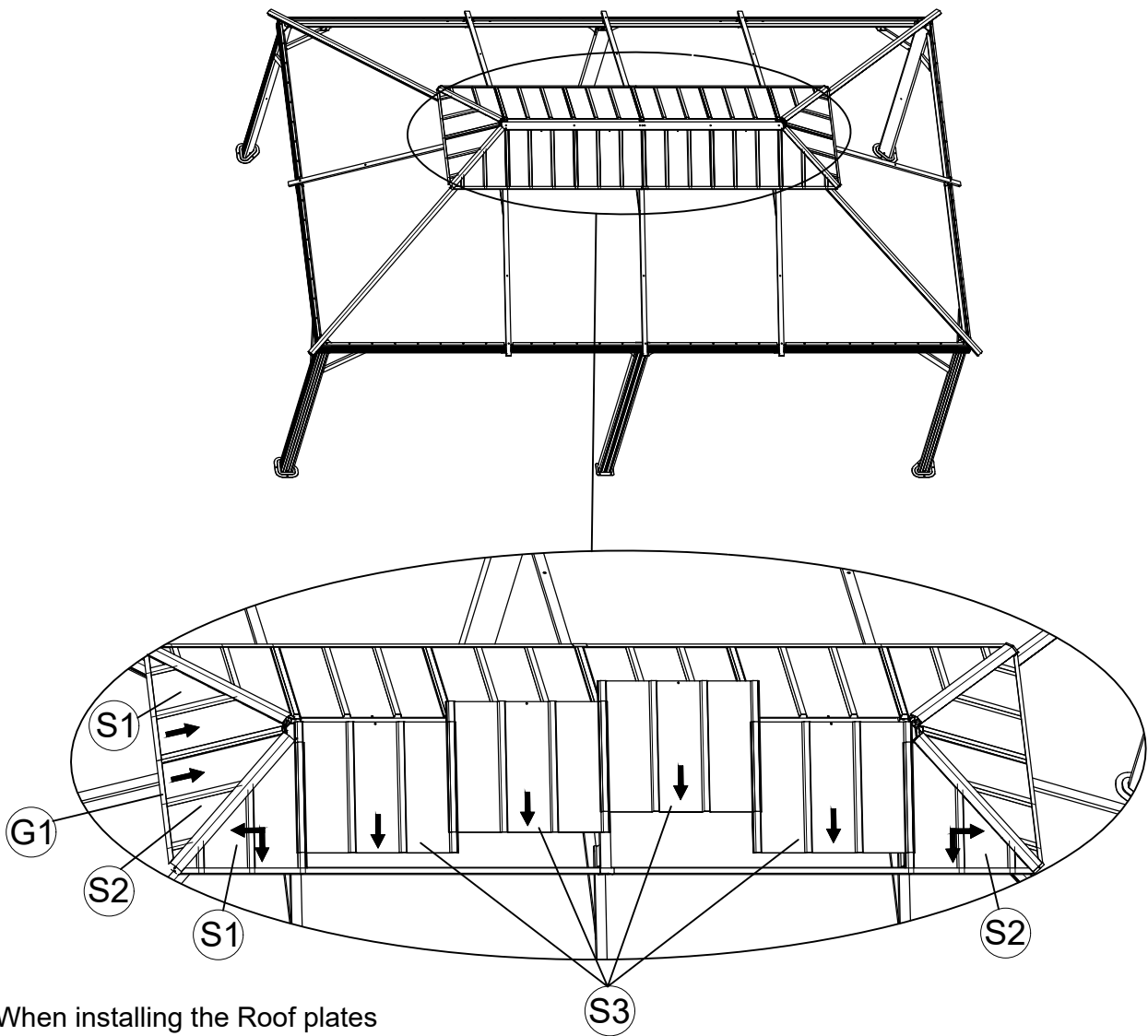
(Z) or (Z1) or (Z2)



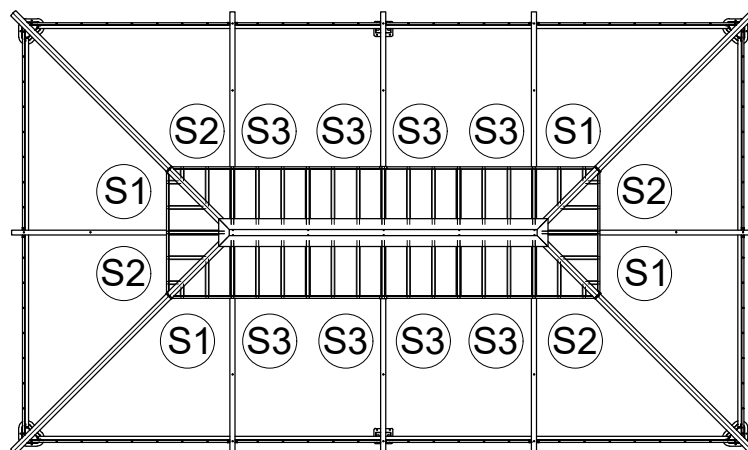
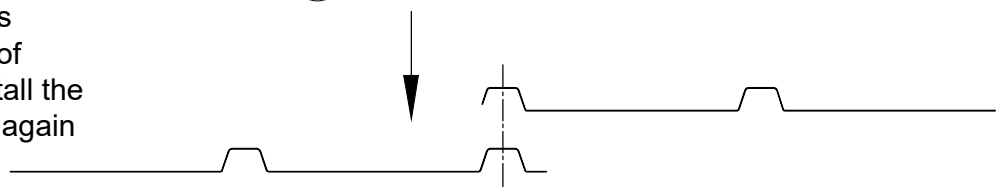
(Z) or (Z1) or (Z2)



<14>



When installing the Roof plates (S1 S2) onto short side, pls detach the right end of Roof Rib(G1) first. And then install the right end of Roof Rib (G1) again after (S1 S2) is installed.



<15>

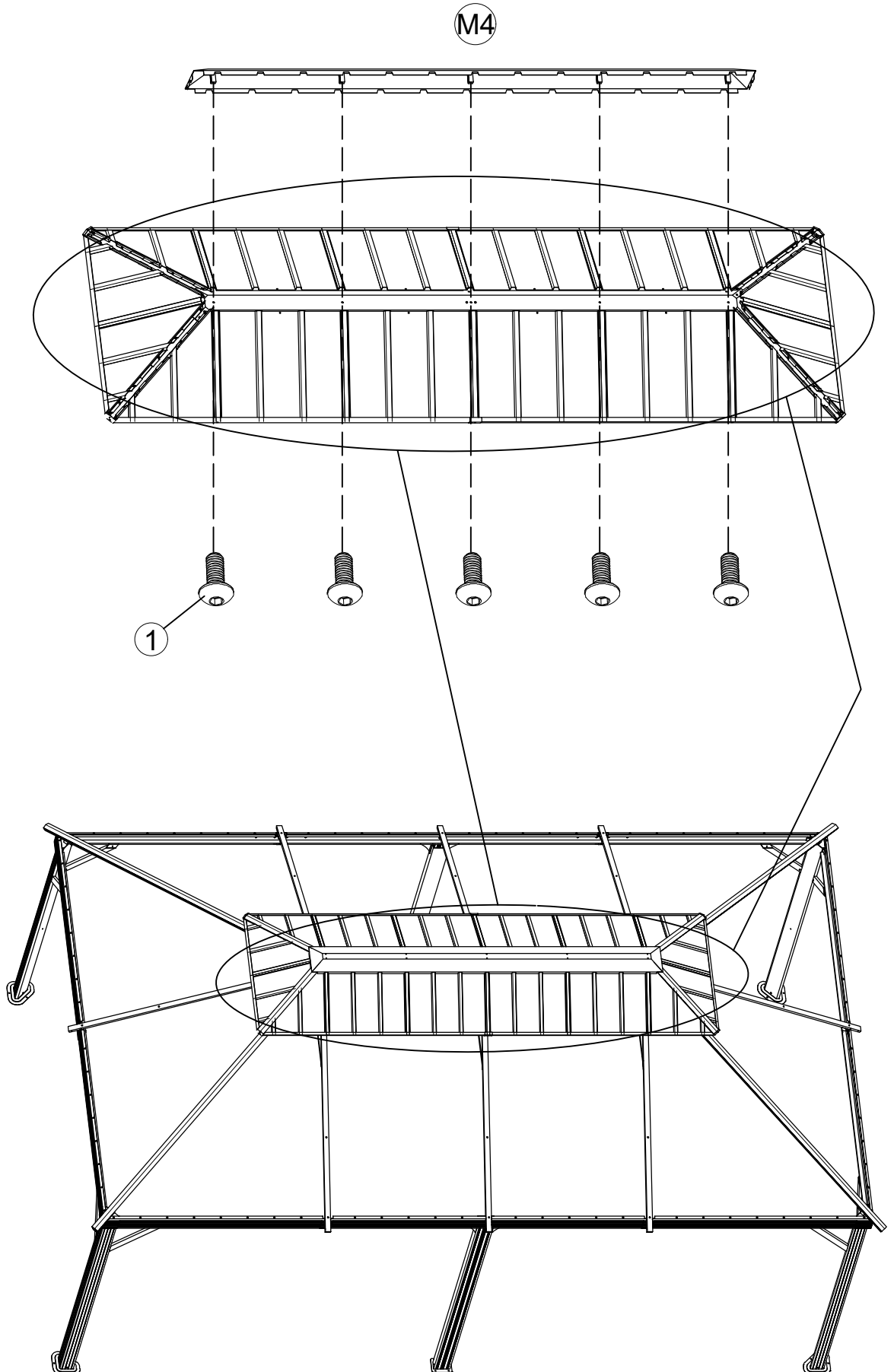


M4 1x



M6x15

① 5x



<16>

F1 4x

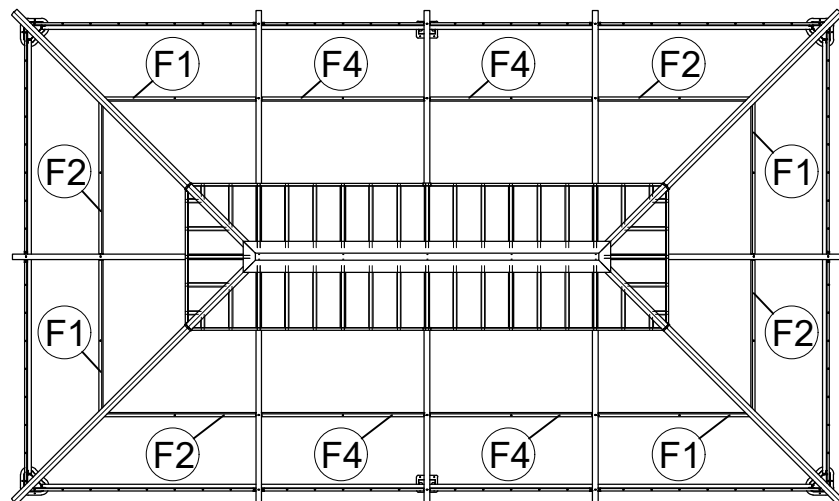
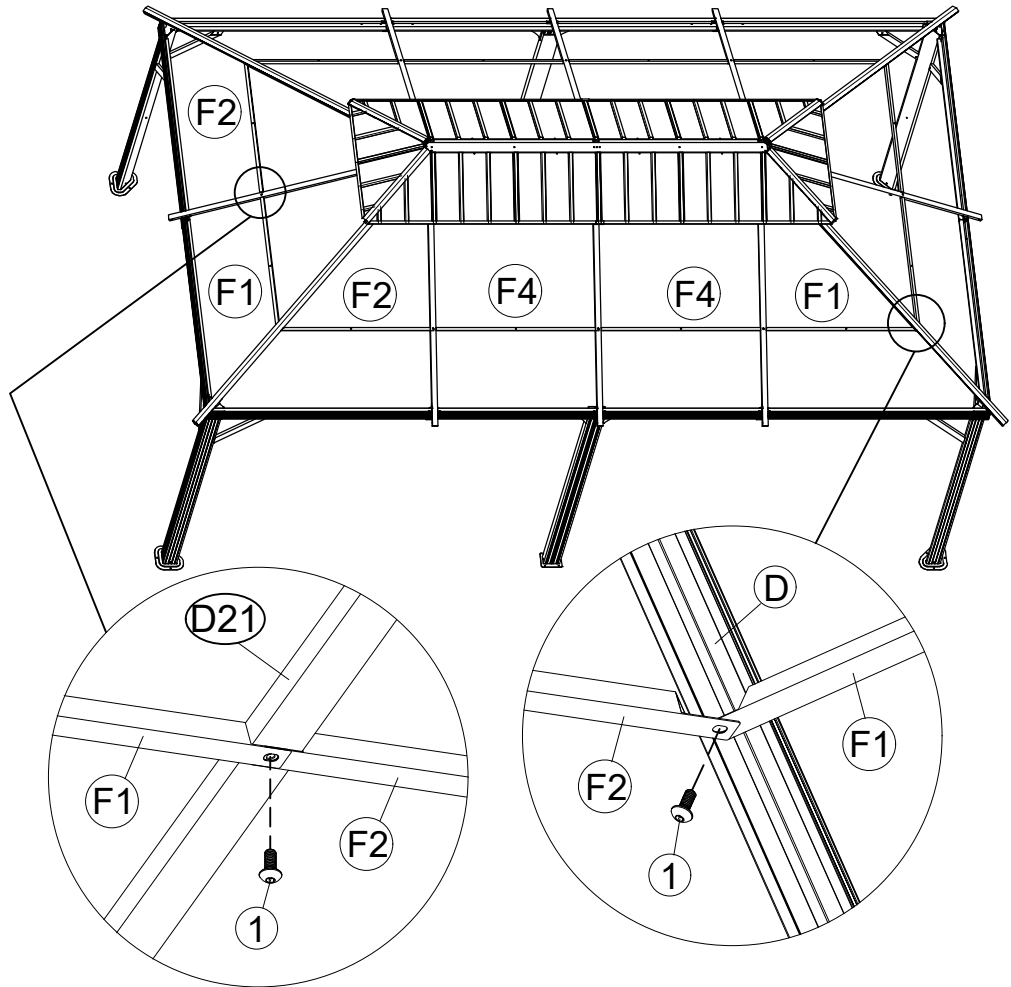
F2 4x

F4 4x

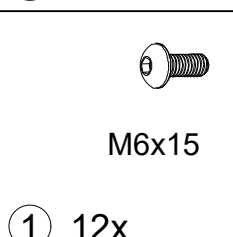
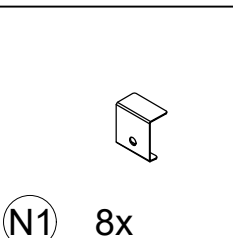
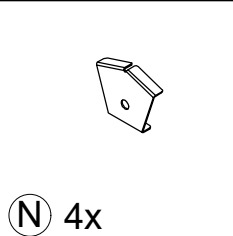
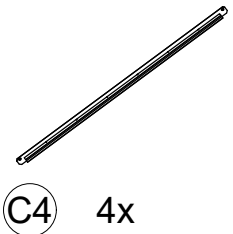
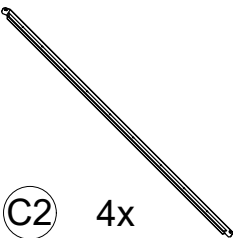
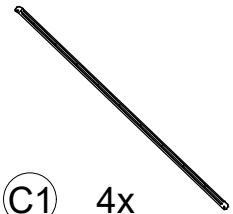


M6x15

1 12x

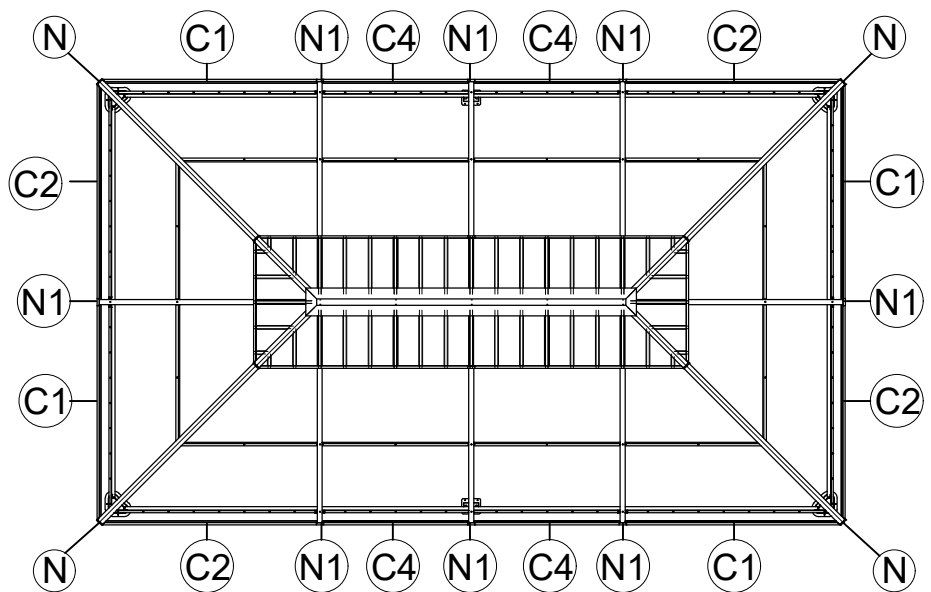
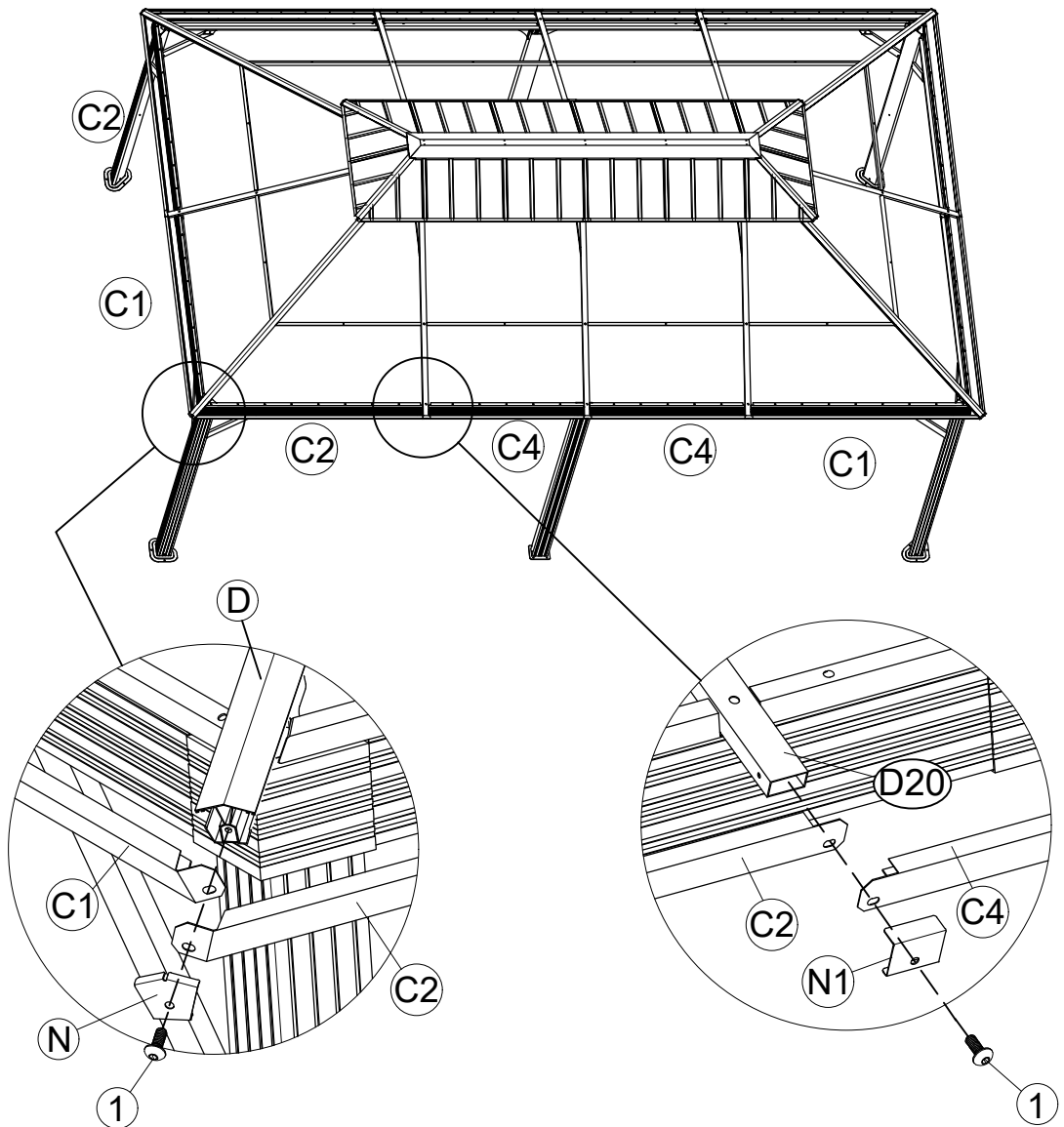


<17>

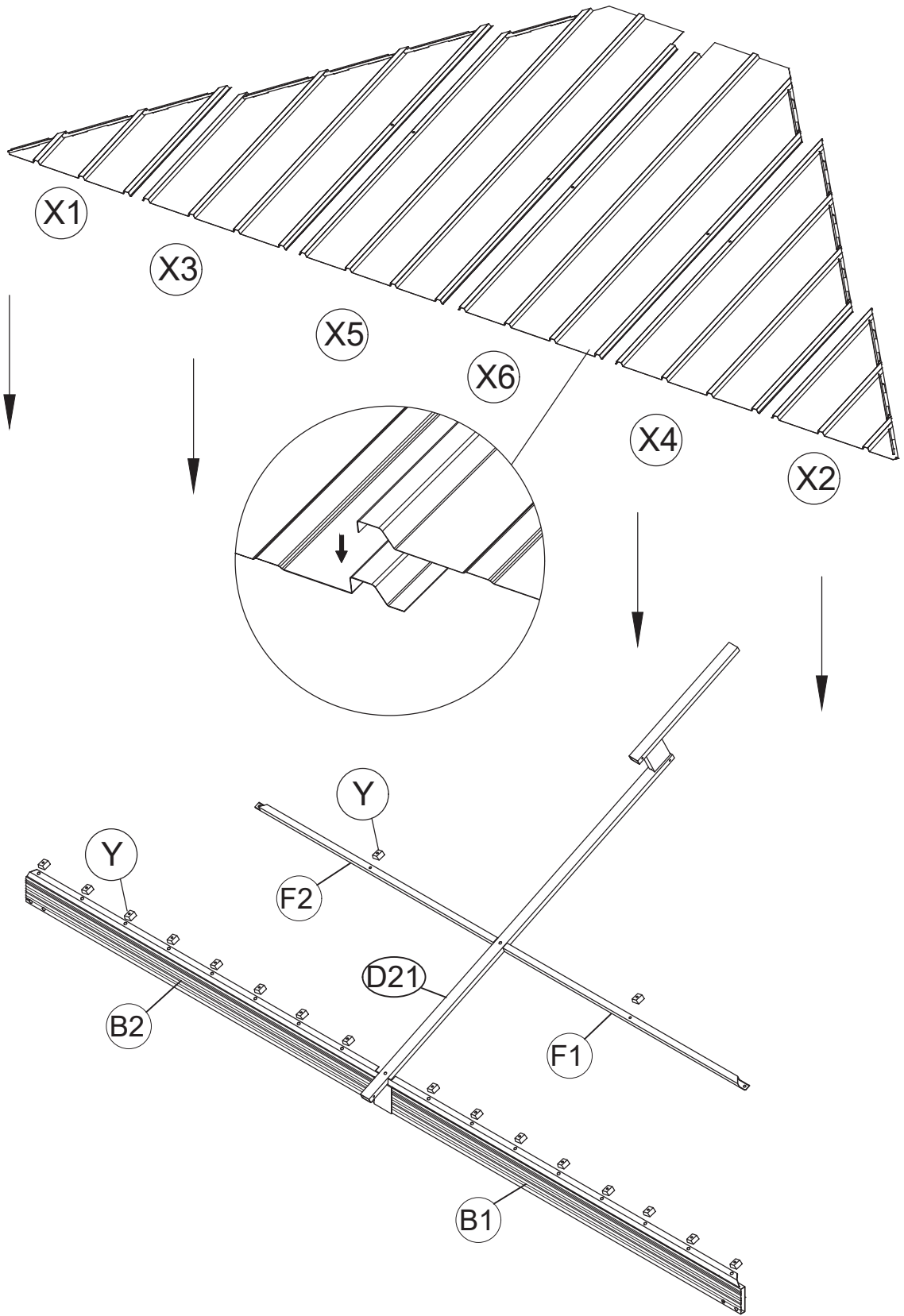


M6x15

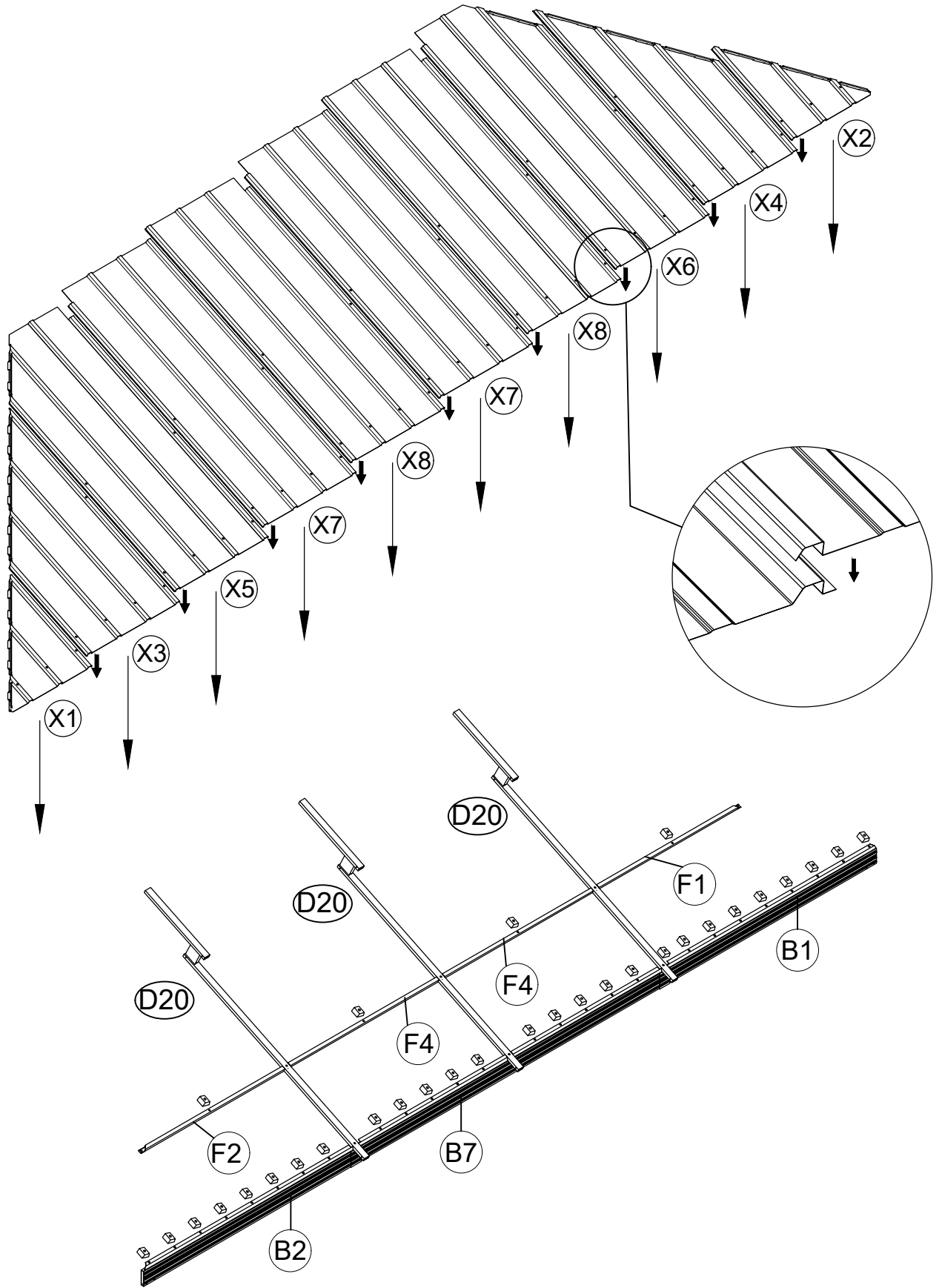
21



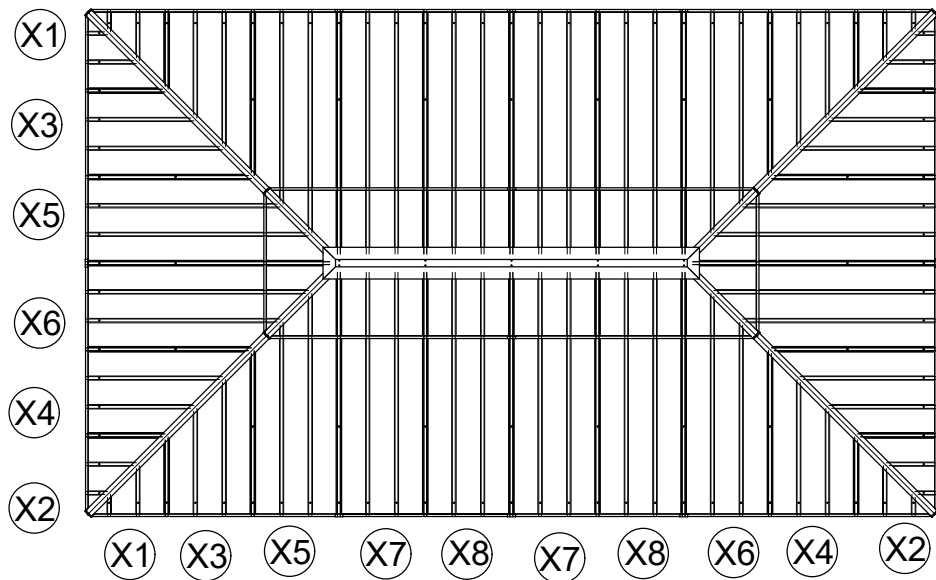
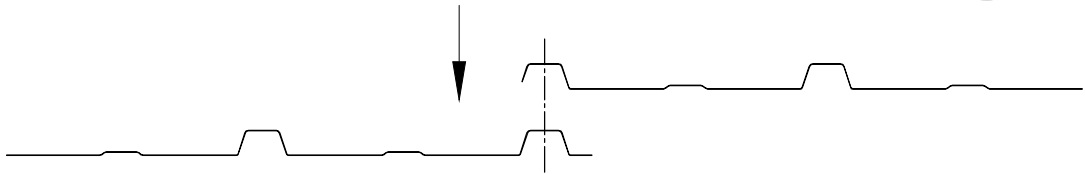
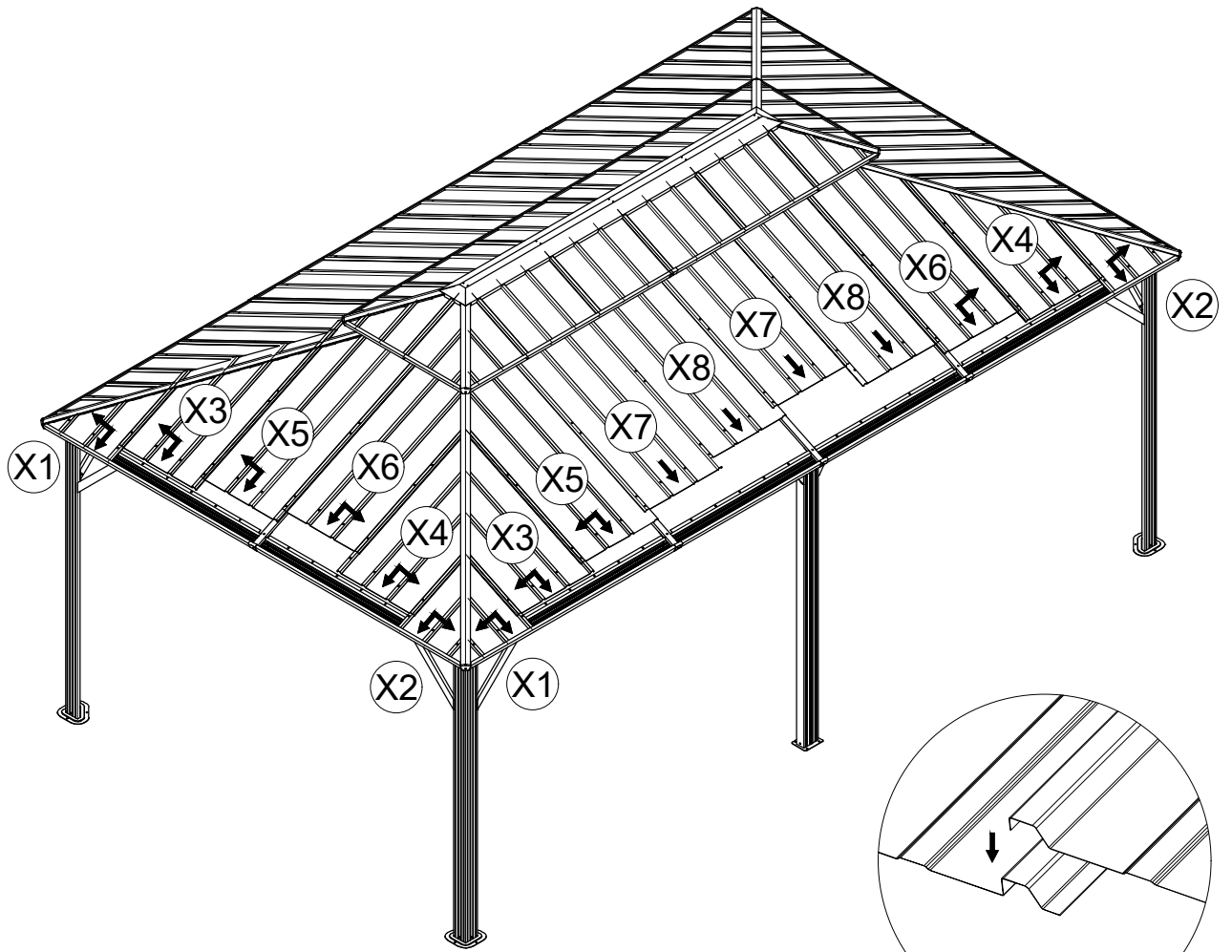
<18>



<19>



<20>





Y 96x



M6x25

3 16x



M6x23

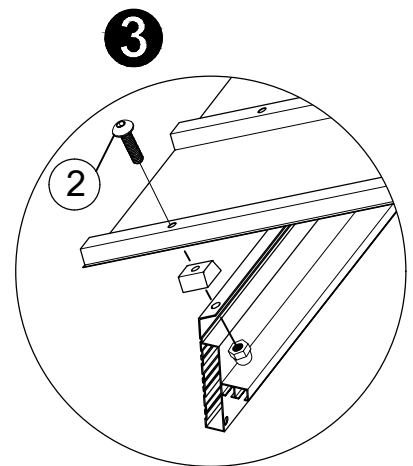
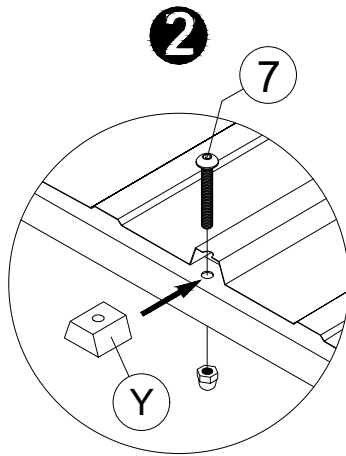
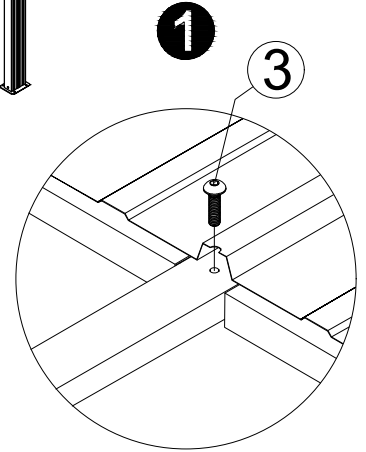
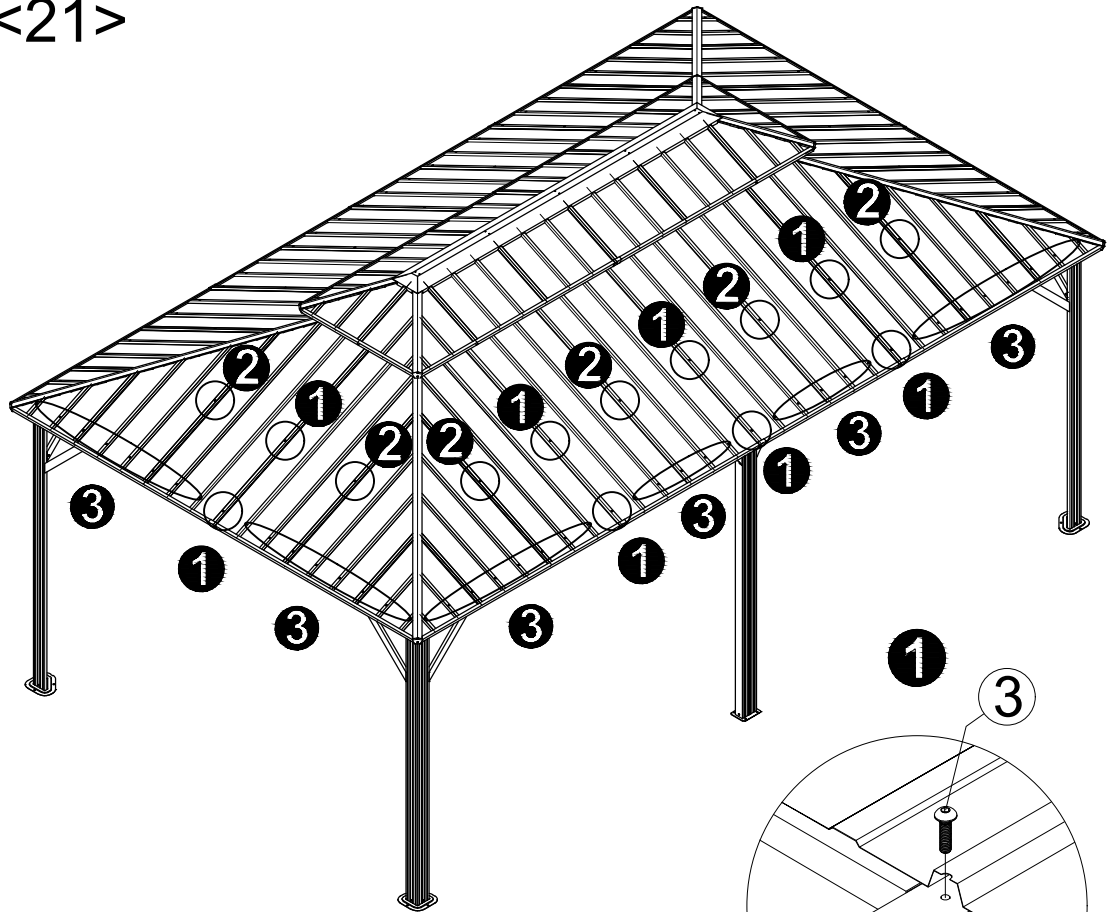
2 84x



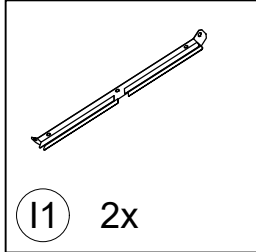
M6x45

7 12x

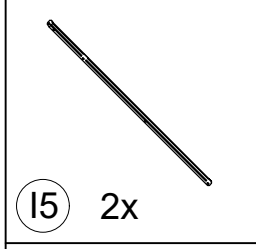
<21>



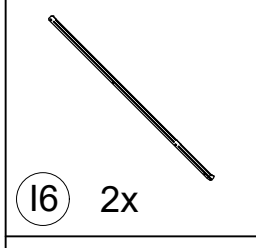
Note: When installing the roof top plates, if the roof plates are slightly uneven, pls press the screws from the top of the plates until the bottom screw thread is exposed by 3 to 4mm, and then screw on the nut.



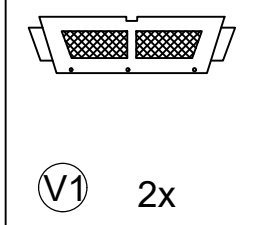
I1 2x



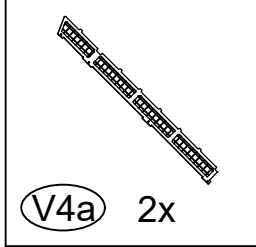
I5 2x



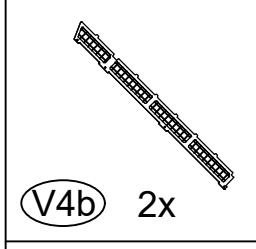
I6 2x



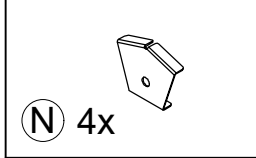
V1 2x



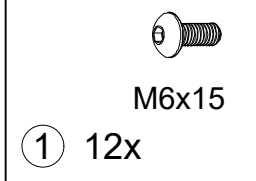
V4a 2x



V4b 2x



N 4x



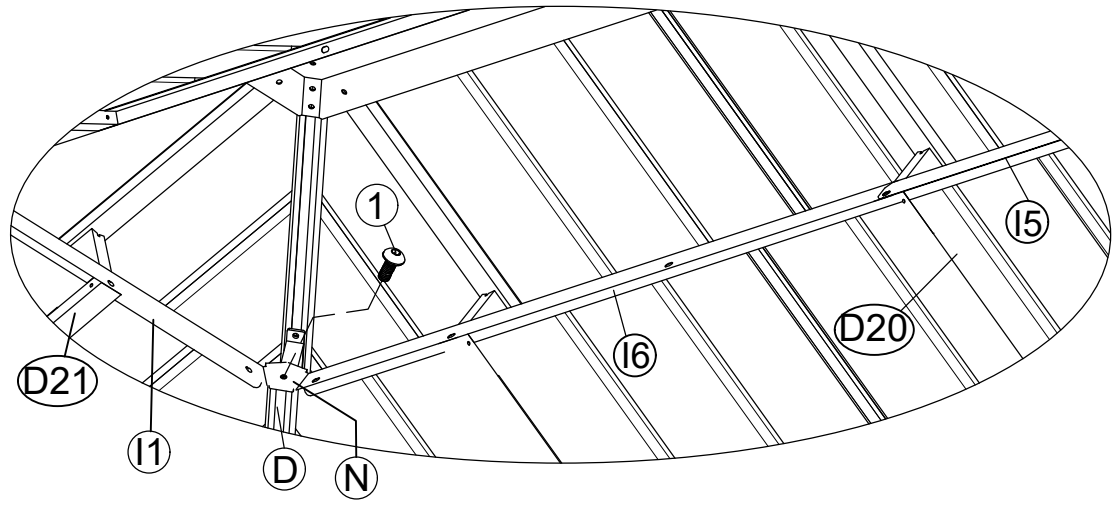
M6x15

1 12x

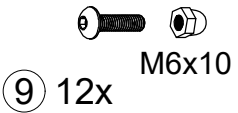
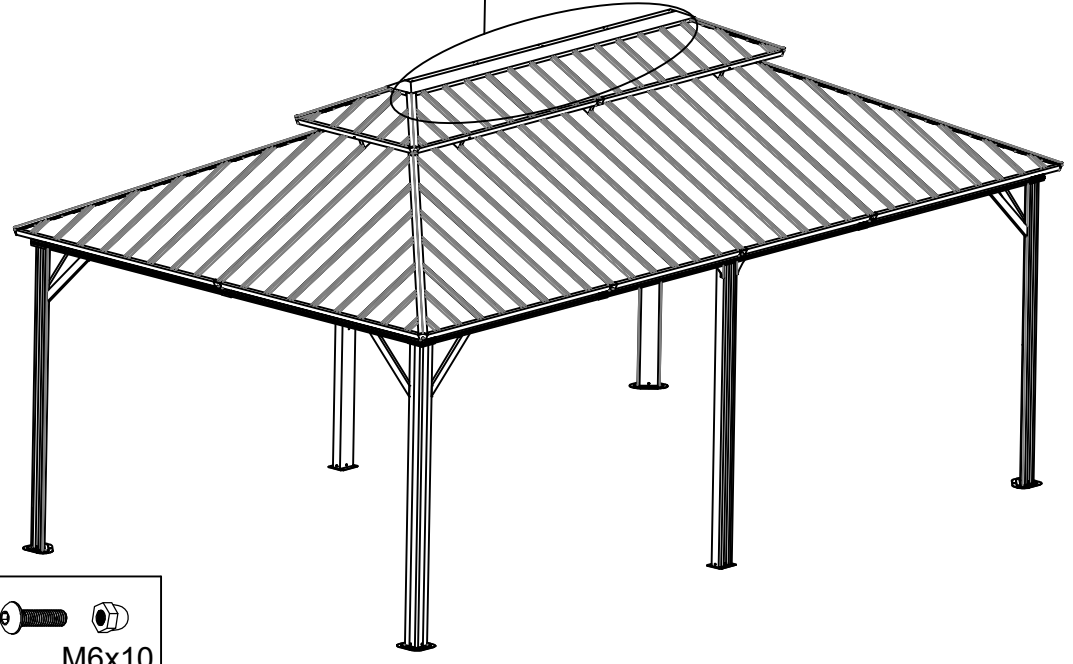
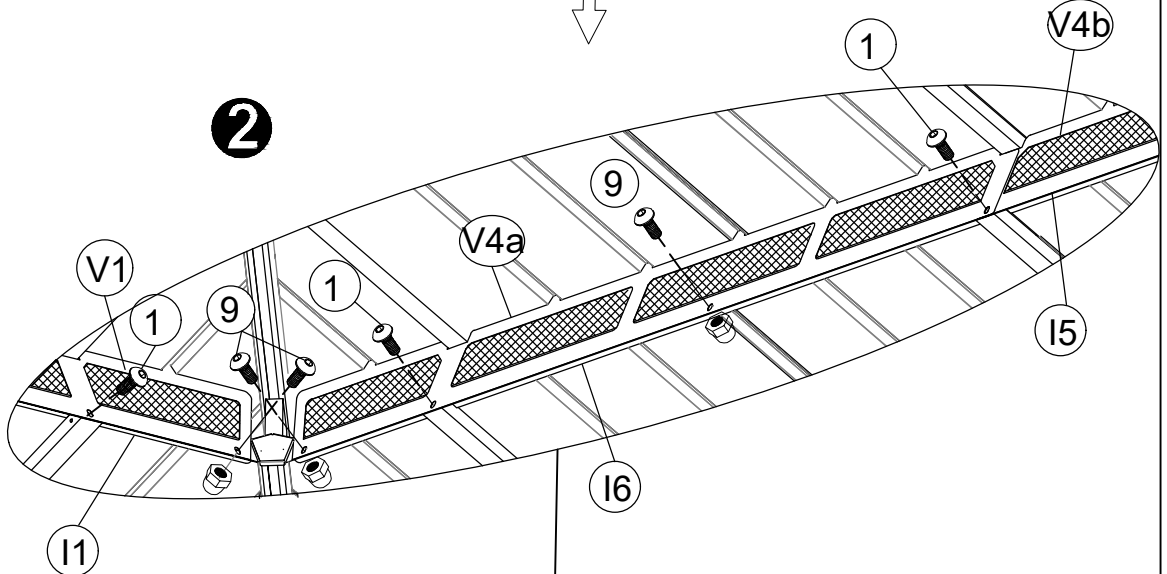
26

<22>

1



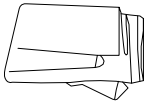
2



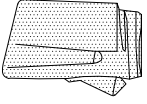
9 12x

M6x10

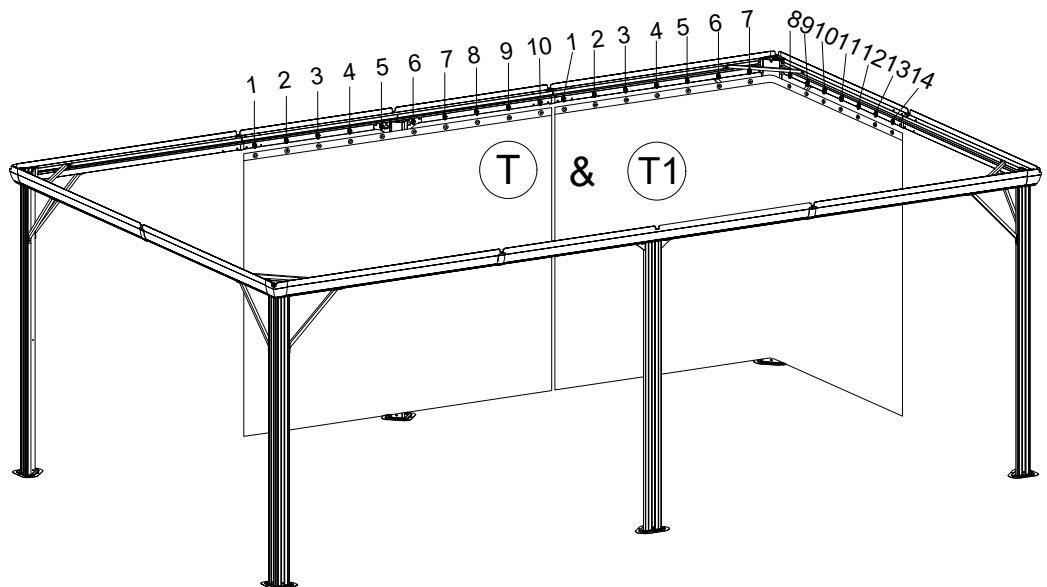
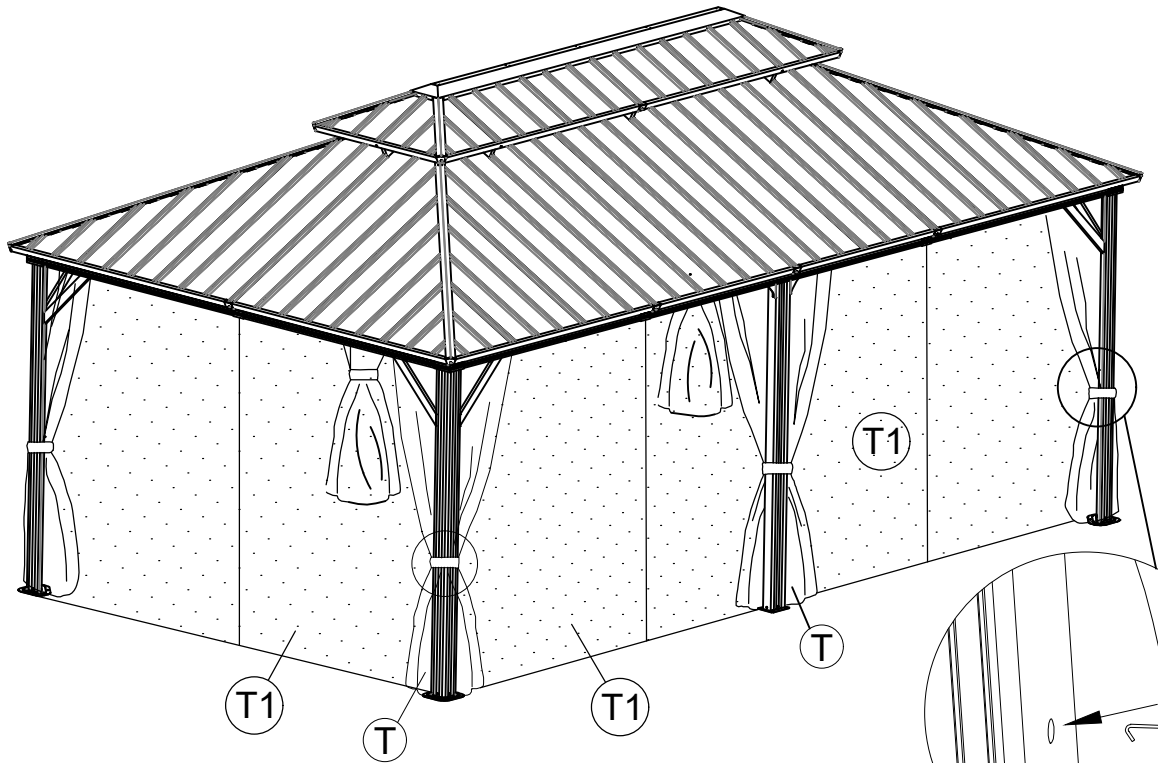
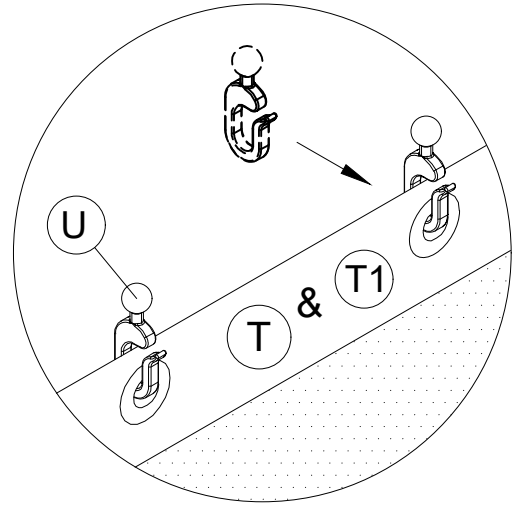
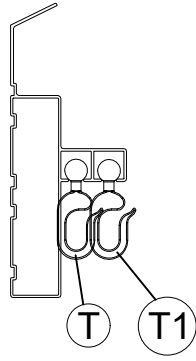
<23>



T 4x+2x



T1 4x+2x



Carton-1/6		Carton-3/6		Carton-4/6	
Part	Qty	Part	Qty	Part	Qty
A	4	F4	4	Y	96
A2	2	F8	3	U	152
		V1	2	T	4+2
		V4a	2	T1	4+2
		V4b	2	Q3	8
Carton-2/6		J	4	Q4	8
Part	Qty			1.2.3.4.5.7.8.9. 10.11.12.14.15	1
D	4				
D21	2	Carton-4/6			
D20	6	Part	Qty		
E5	4	L4	1	Carton-5/6	
Z	64	M4	1	Part	Qty
Z1	8	B7	2	X5	4
Z2	8	C1	4	X6	4
P	6	C2	4	X7	4
		G5	2	X8	4
		G6	2		
Carton-3/6		H	4		
Part	Qty	H1	4	Carton-6/6	
B1	4	Q1	8	Part	Qty
B2	4	N	12	X1	4
G1	2	N1	10	X2	4
C4	4	K1	6	X3	4
I1	2	K	4	X4	4
I5	2	J1	2	S1	4
I6	2	W1	2	S2	4
F1	4	W2	2	S3	8
F2	4	V	6		