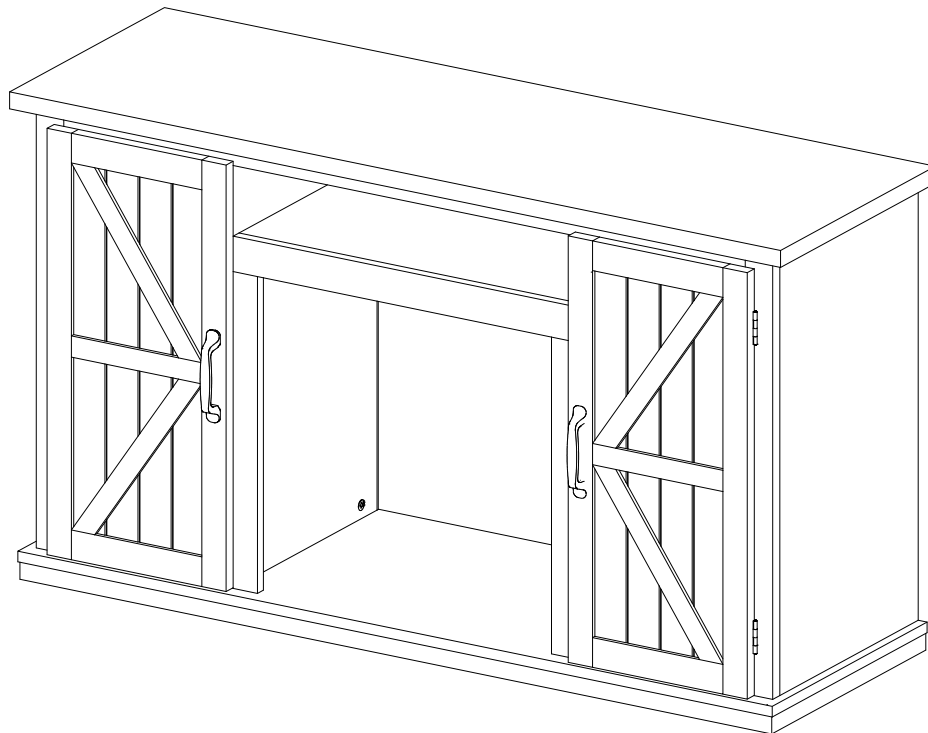


IMPORTANT INSTRUCTIONS AND OPERATING MANUAL



THIS INSTRUCTION BOOKLET CONTAINS IMPORTANT SAFETY INFORMATION. PLEASE READ AND KEEP FOR FUTURE REFERENCE.



WARNING

- Unit can tip over causing severe injury.
- Anchor unit to study on wall (if instructed to).
- Do Not allow children to climb on unit.
- Put heavy items on lower shelves or drawers.



60MIN



[Helpful Hints]

PEOPLE NEEDED FOR ASSEMBLY: 2
ESTIMATED ASSEMBLY TIME: 1 HOUR

-Open your item in the area you plan to keep it to avoid excessive heavy lifting.



-Identify, sort and count the parts before attempting assembly.



-Make sure to always face the point on the top of the Cam Lock towards the outer edge.



-Use all the nails provided for the back panel and spread them out equally.



-Back panel must be used to make sure your unit is sturdy.

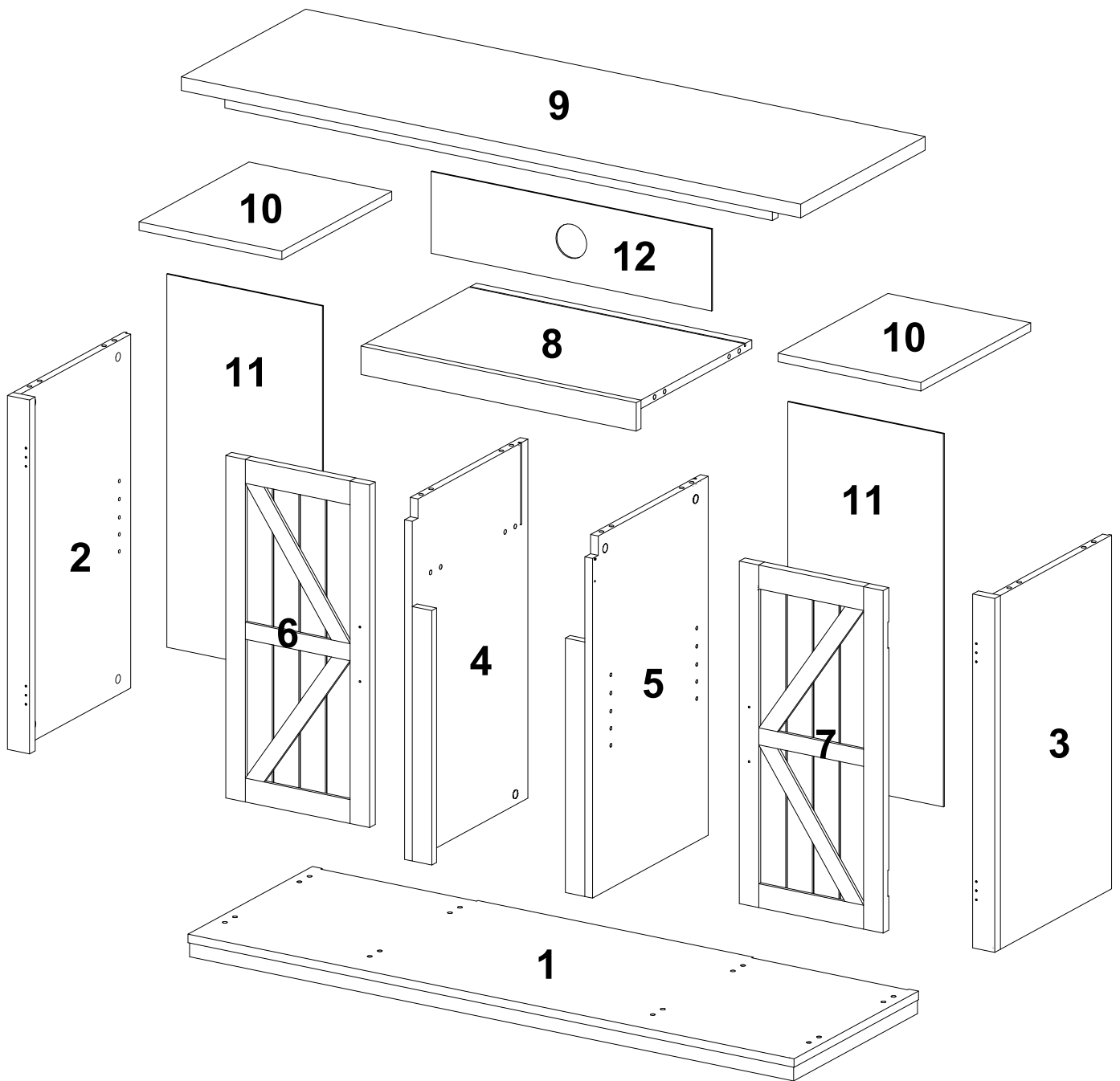


-Do NOT use harsh chemicals or abrasive cleaners on this item.

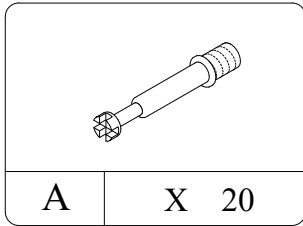
-Never push, pull, or drag your furniture.



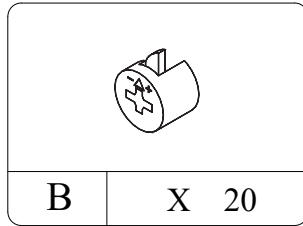
PARTS LIST



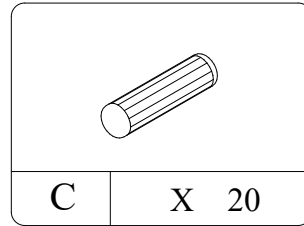
HARDWARE LIST



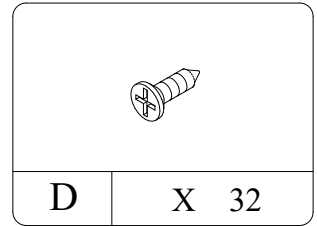
Ø6.5 x35mm



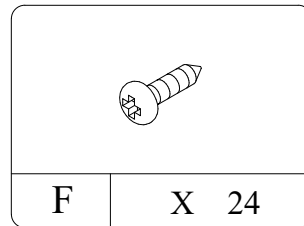
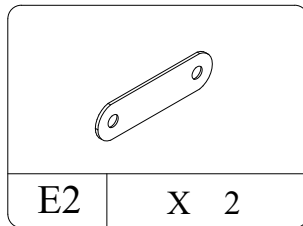
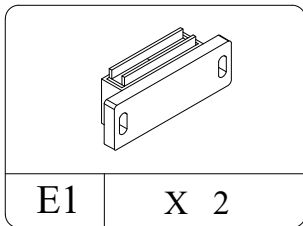
Ø15 x 12mm



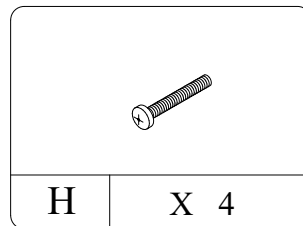
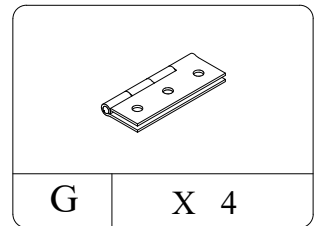
Ø8 x 30mm



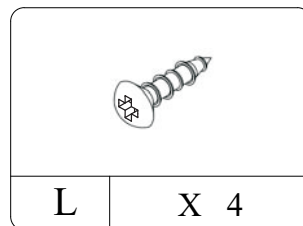
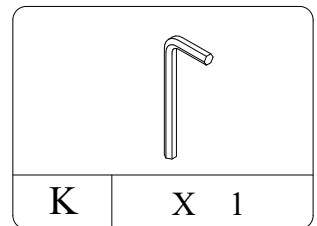
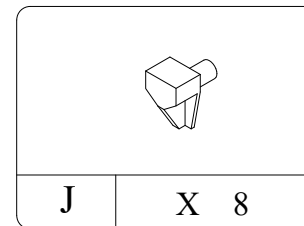
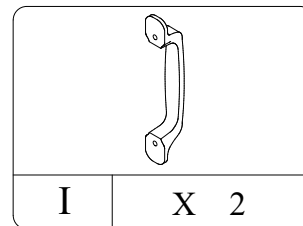
Ø3 x 14mm



Ø3 x 12mm

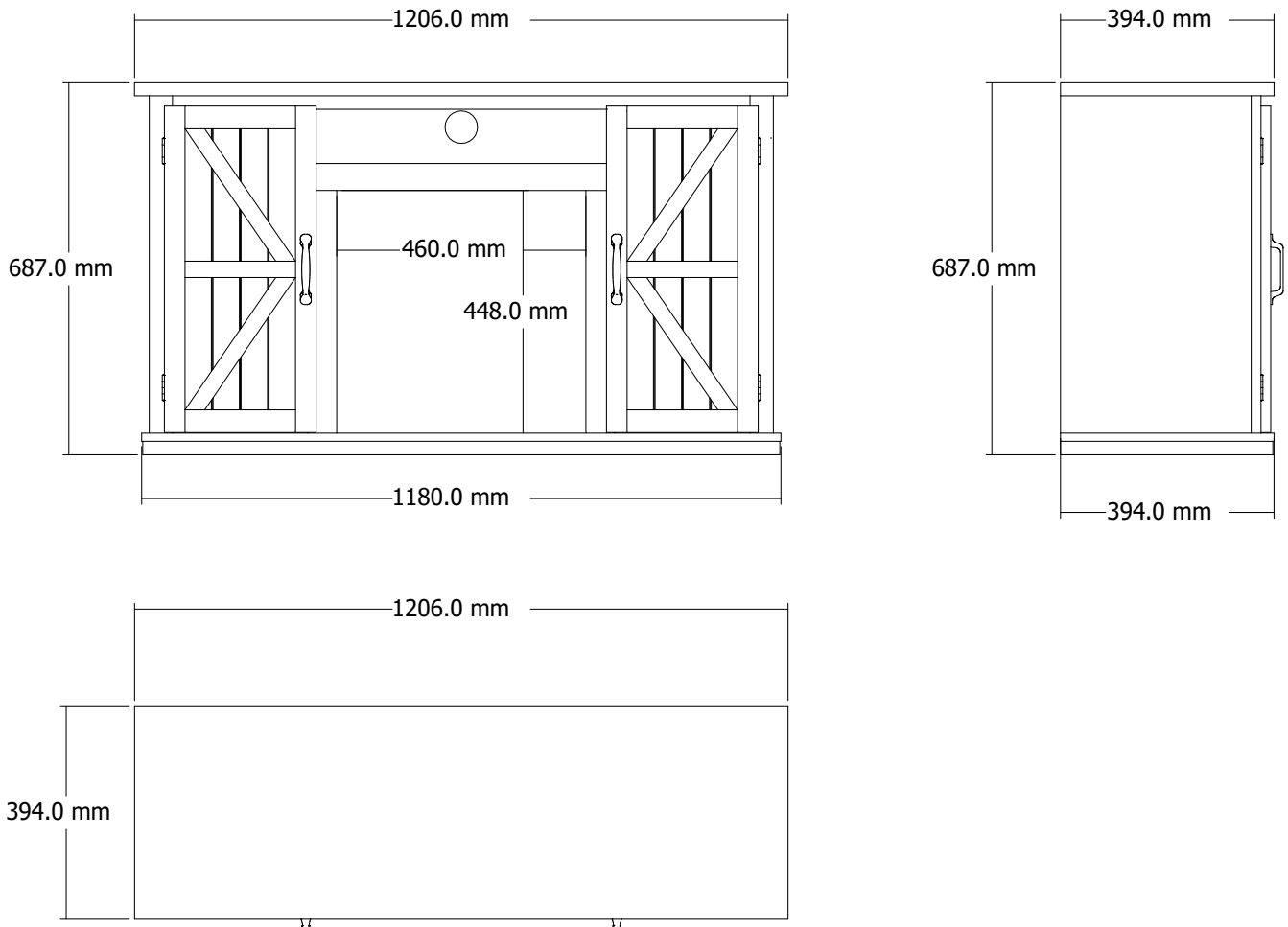


Ø4 x 18mm



Ø4 x 12.7mm

DIMENSIONS

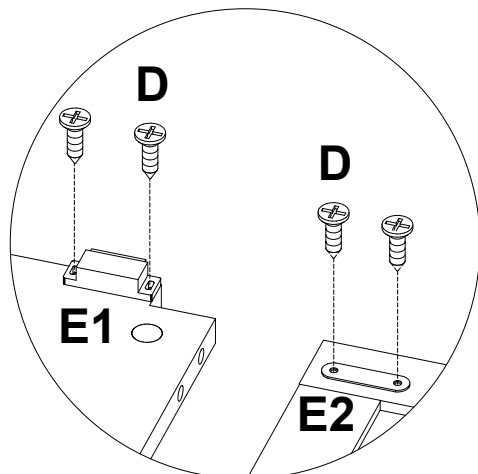
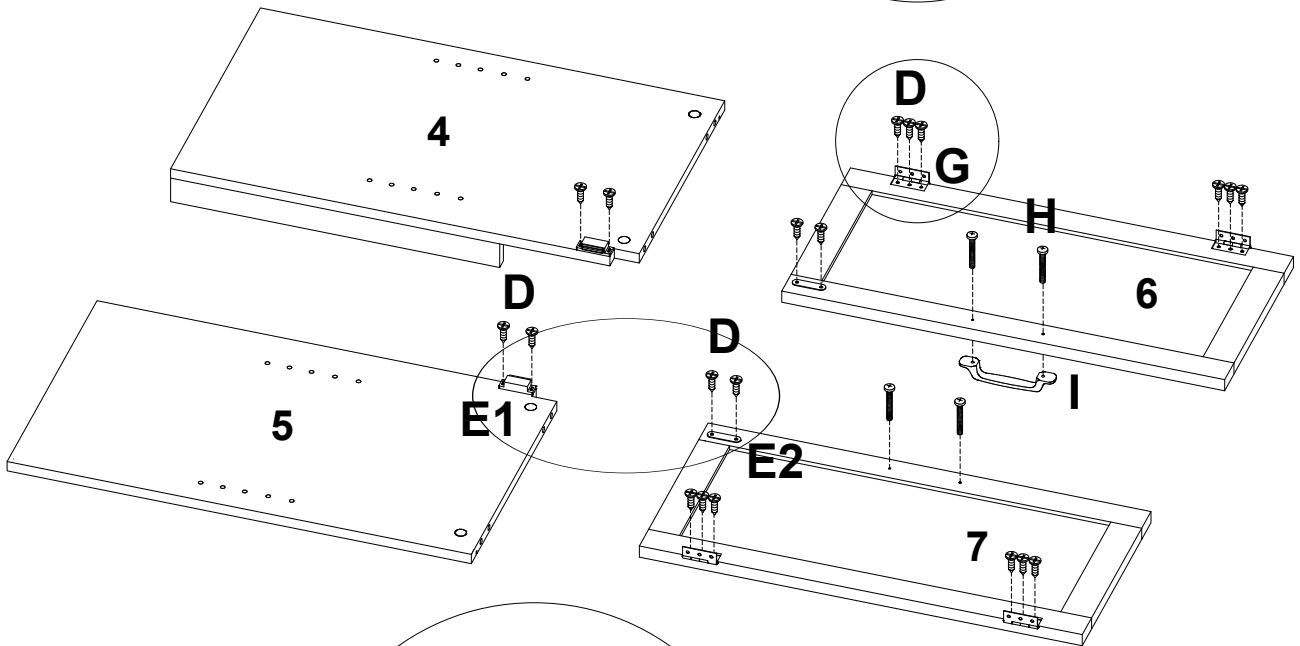
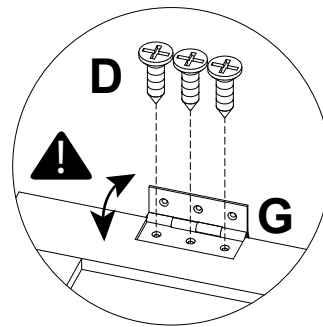
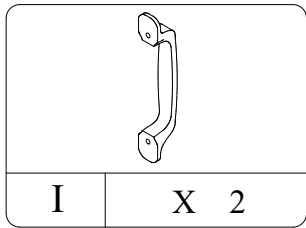
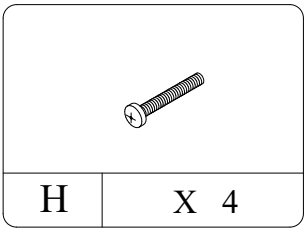
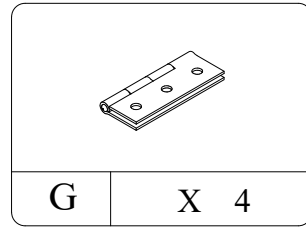
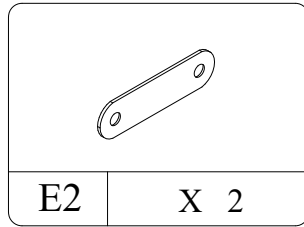
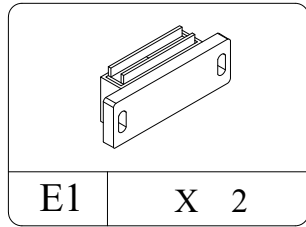
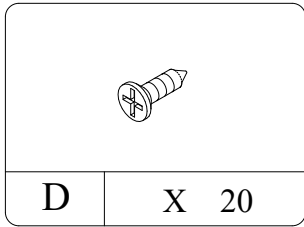


ASSEMBLY

Before installing this fireplace, please read the following steps carefully.

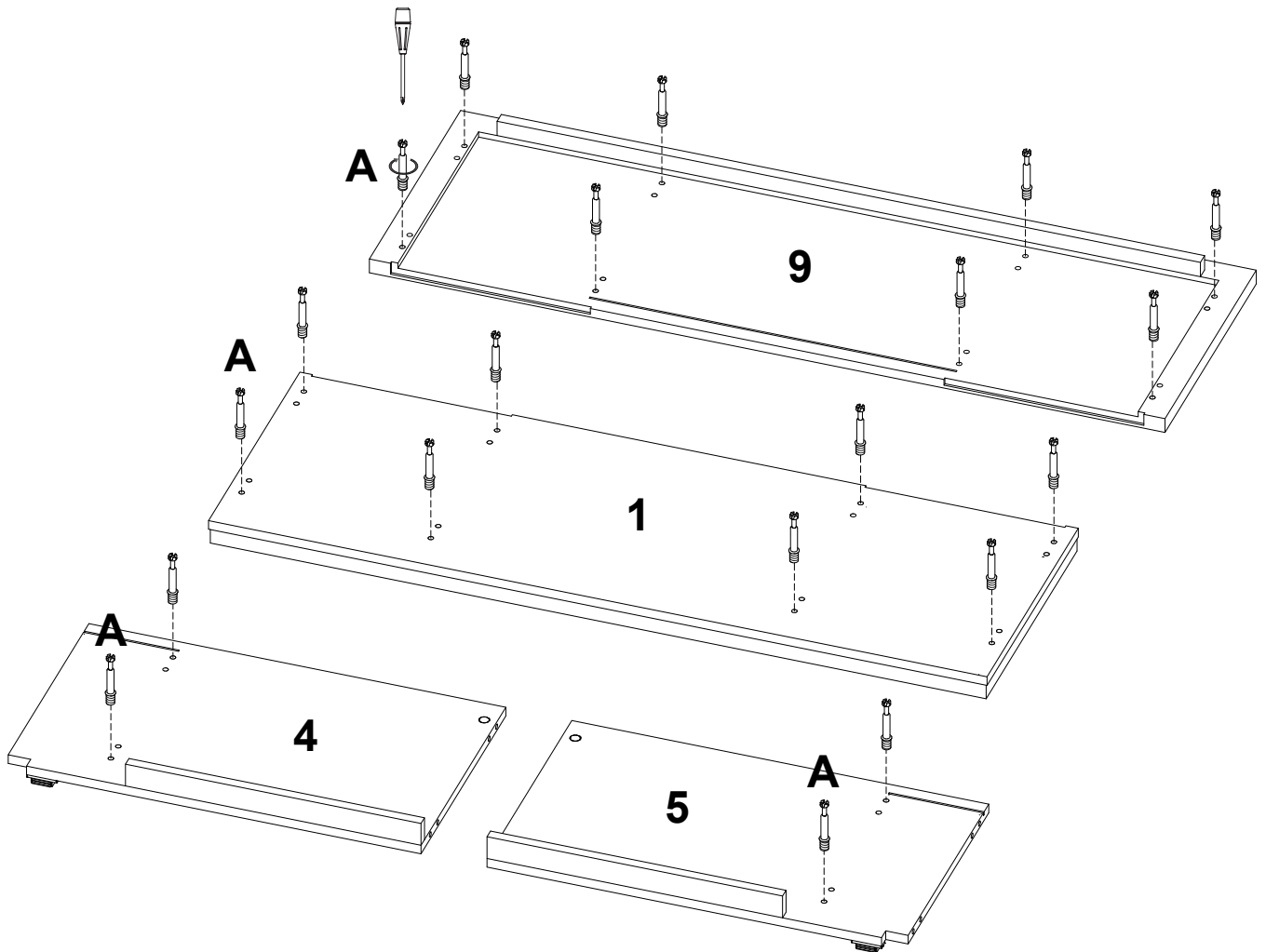
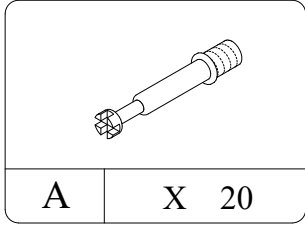
STEP 1:

Attach door stoppers (E1) to panels (4)+(5), attach door stoppers (E2) to doors (6)+(7), by securing screws (D). Attach hinges (G) to doors (6)+(7) by securing screws (D). Attach handles (I) to doors (6)+(7) by securing screws (H).



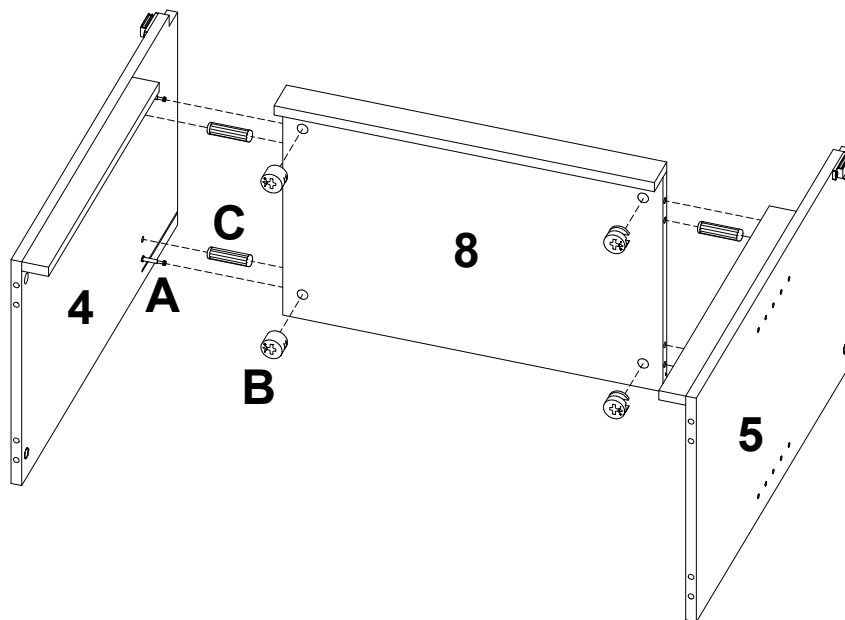
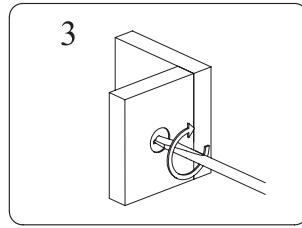
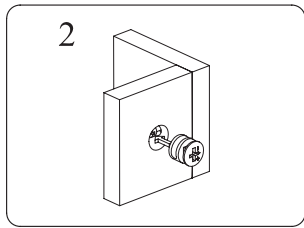
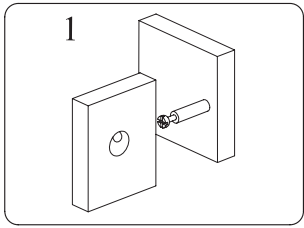
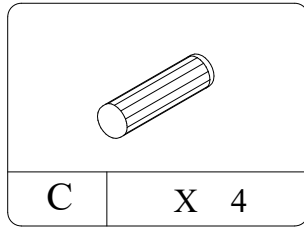
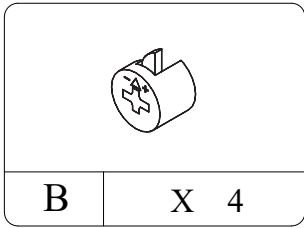
STEP 2:

Screw bolts (A) to panels (1)+(4)+(5)+(9).



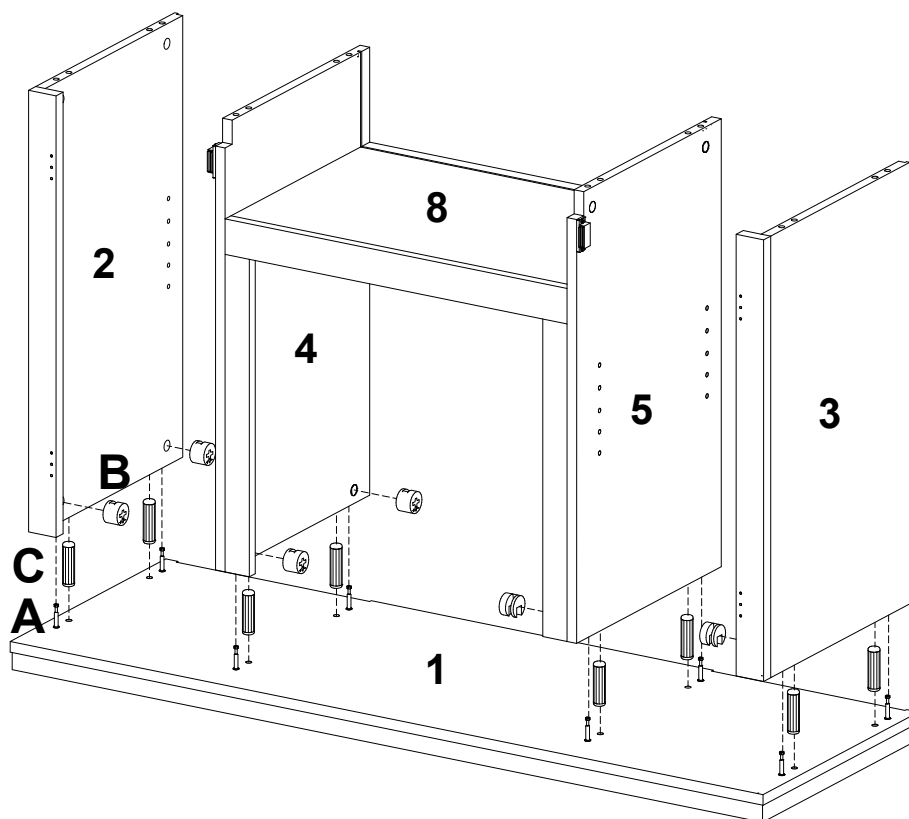
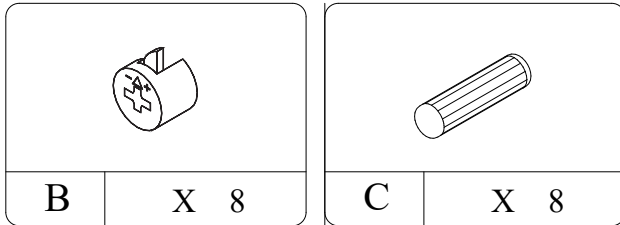
STEP 3:

Join panels (4)+(5) to panel (8) by inserting bolts (A) and dowels (C). Lock them by inserting and securing excenter fittings (B).



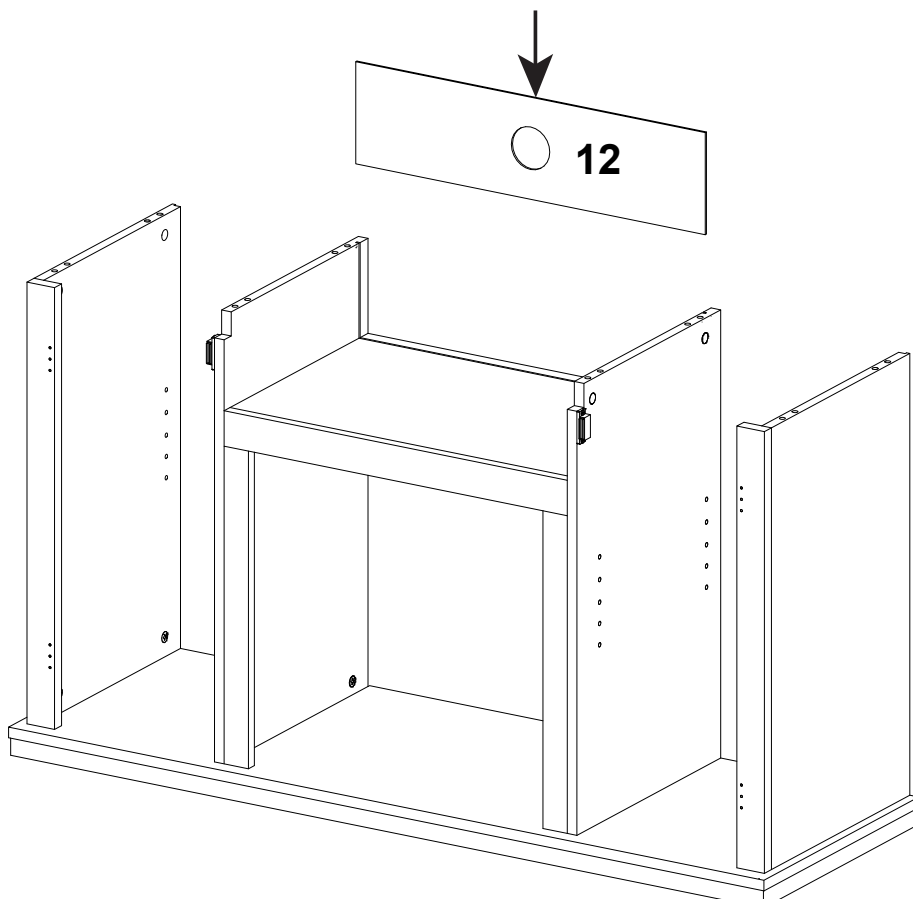
STEP 4:

Join panels (1)+(2)+(3) by inserting bolts (A) and dowels (C). Lock them by inserting and securing excenter fittings (B).



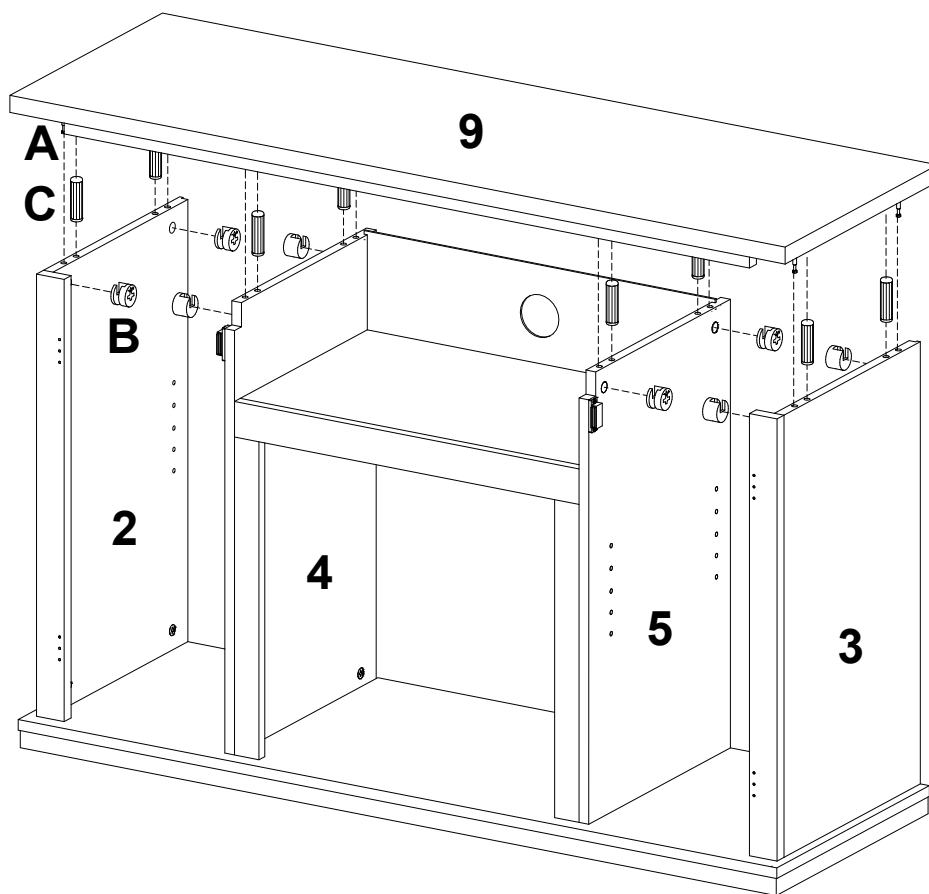
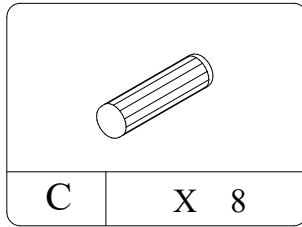
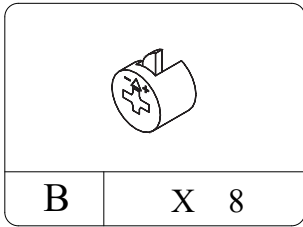
STEP 5:

Join the panel (12) by inserting it along the slots.



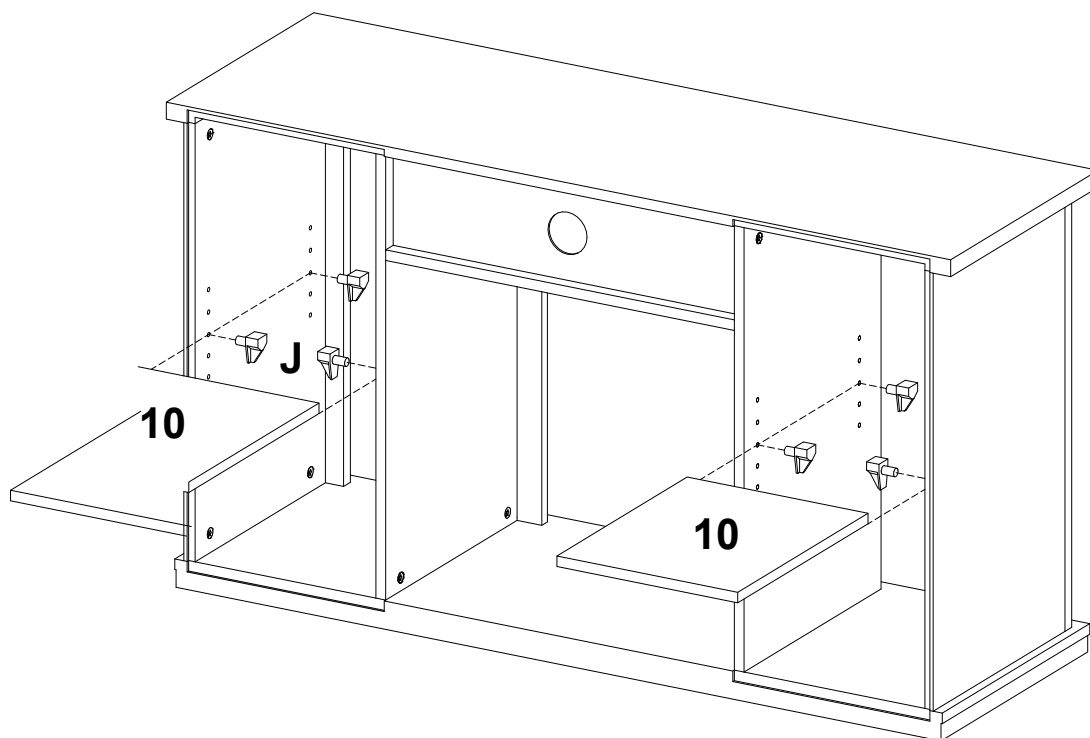
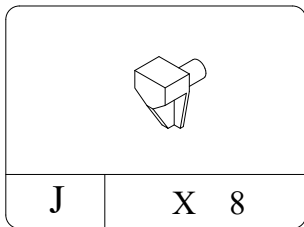
STEP 6:

Join the panel (9) by inserting bolts (A) and dowels (C). Lock it by inserting and securing excenter fittings (B).



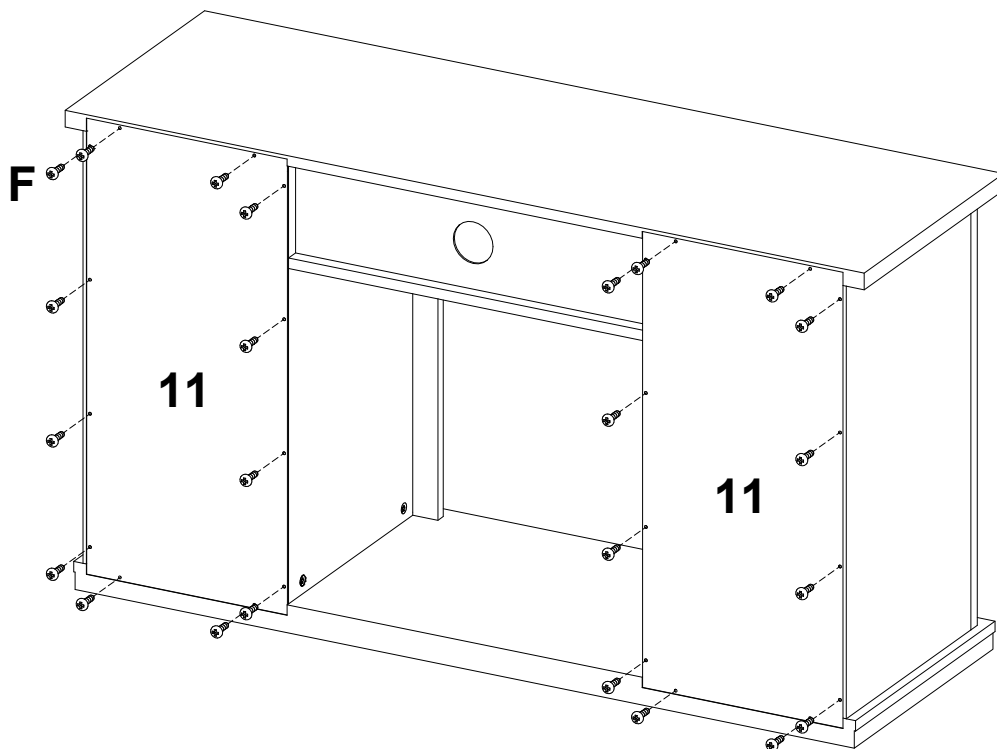
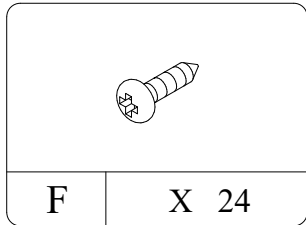
STEP 7:

Insert shelf supports (J). Put on shelves (10).



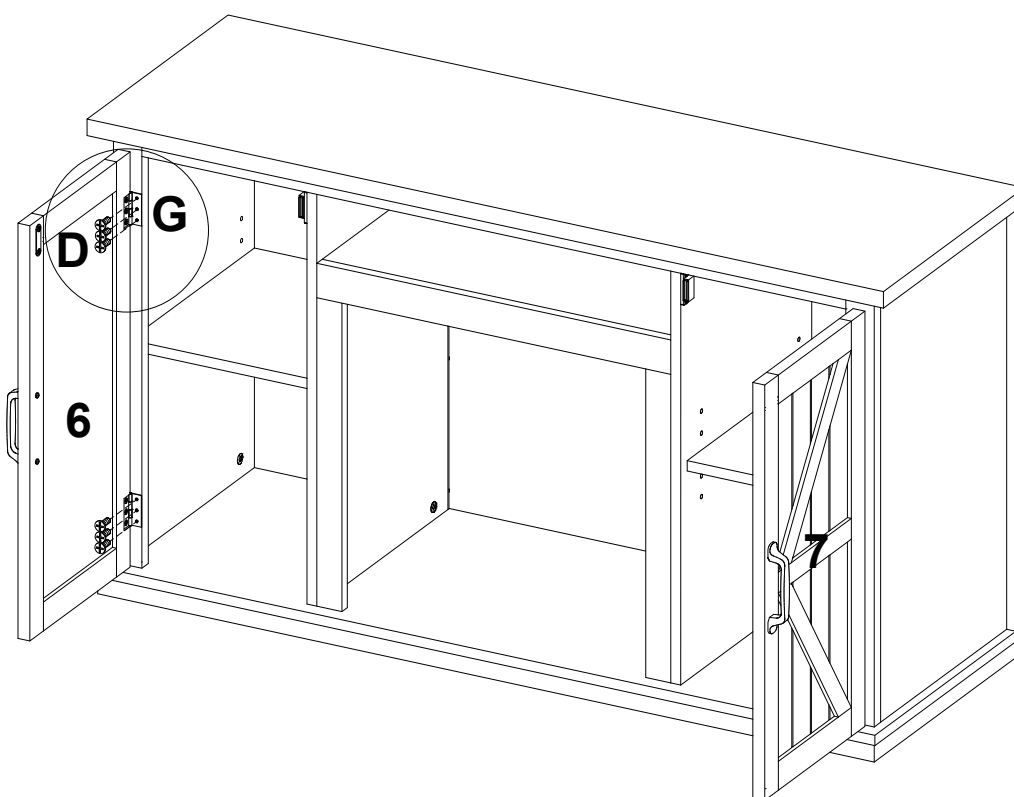
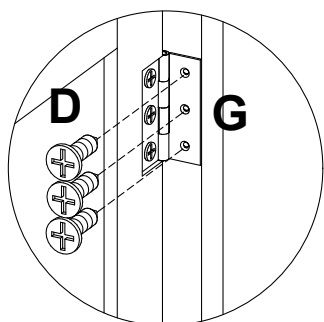
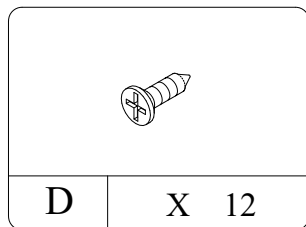
STEP 8:

Join panels (11) by securing screws (F).



STEP 9:

Join doors (6)+(7) by securing screws (D) through hinges (G).



STEP 10:

Install the firebox by securing screws (L).

