

# ASSEMBLY INSTRUCTION

## PU ROUND SWIVEL CLUB CHAIR WITH 5 CASTERS

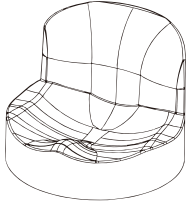
**A** Club Chair Seat

**B** Gas Lift Mechanism

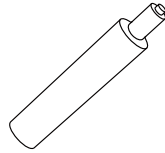
**C** Metal Base

**D** Caster

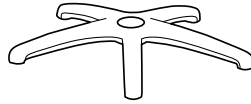
**E** Cover



1 pc



1 pc



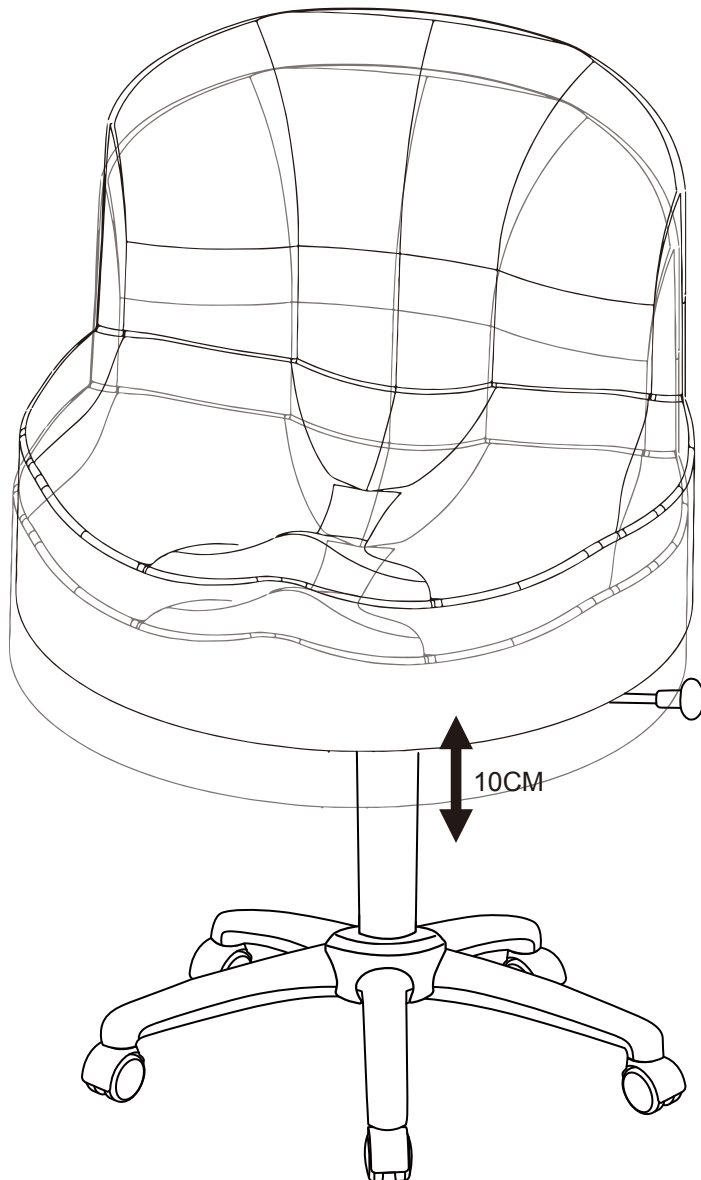
1 pc



5 pcs

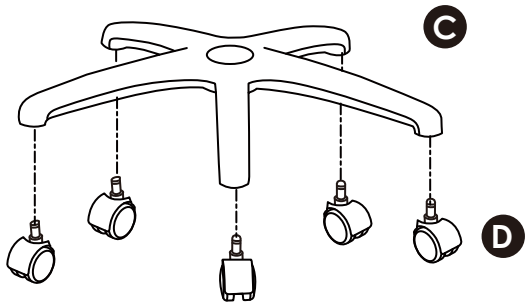


1 pc

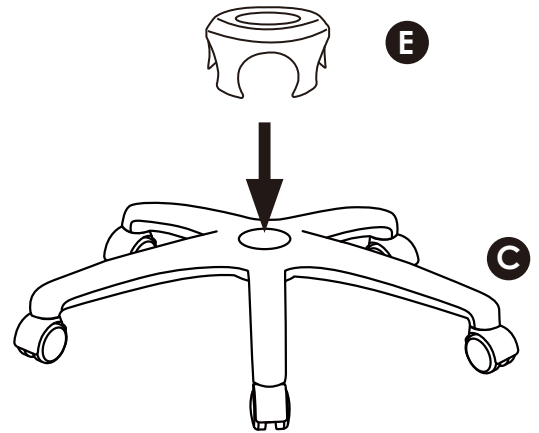


This page lists all the contents included in the box. Please take the time to identify the hardware as well as the individual components to this product. As you unpack and prepare for assembly, place the contents on a carpeted or padded area to protect them from damage.

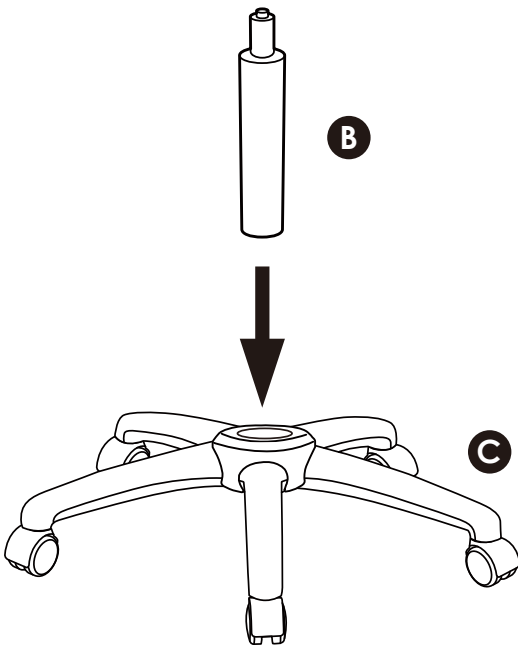
**1** Insert the Metal Base (C) into the Caster (D).



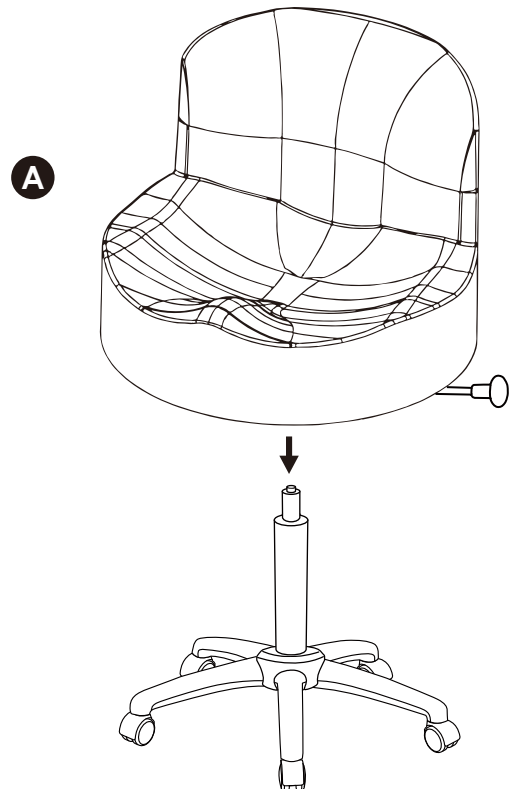
**2** Insert the cover (E) into Metal Base (C).



**3** Insert the Gas Lift Mechanism (B) into the Metal Base (C).



**4** Insert the Club Chair Seat (A) Frame into the Assembled Base.



### Cleaning & Care

Treat surface with care. Surface is resistant to scratches but is not scratch proof. Clean surfaces with a dry or damp soft cloth. Do not use abrasive cleaners. Hardware may loosen over time. Periodically check that all connections are tight.