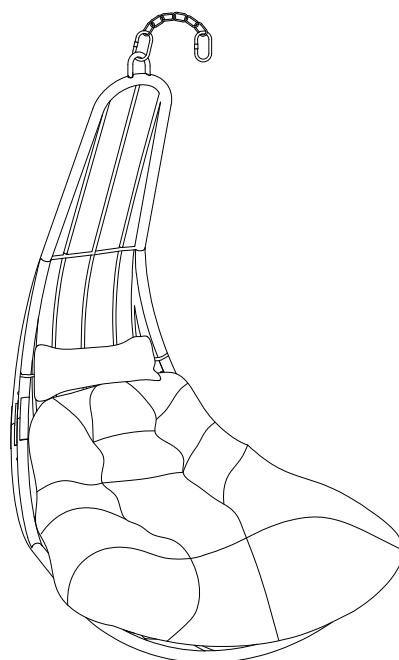


Basket Swing Chair



Read the instructions before use of this product.

Please keep this instruction manual for future reference.

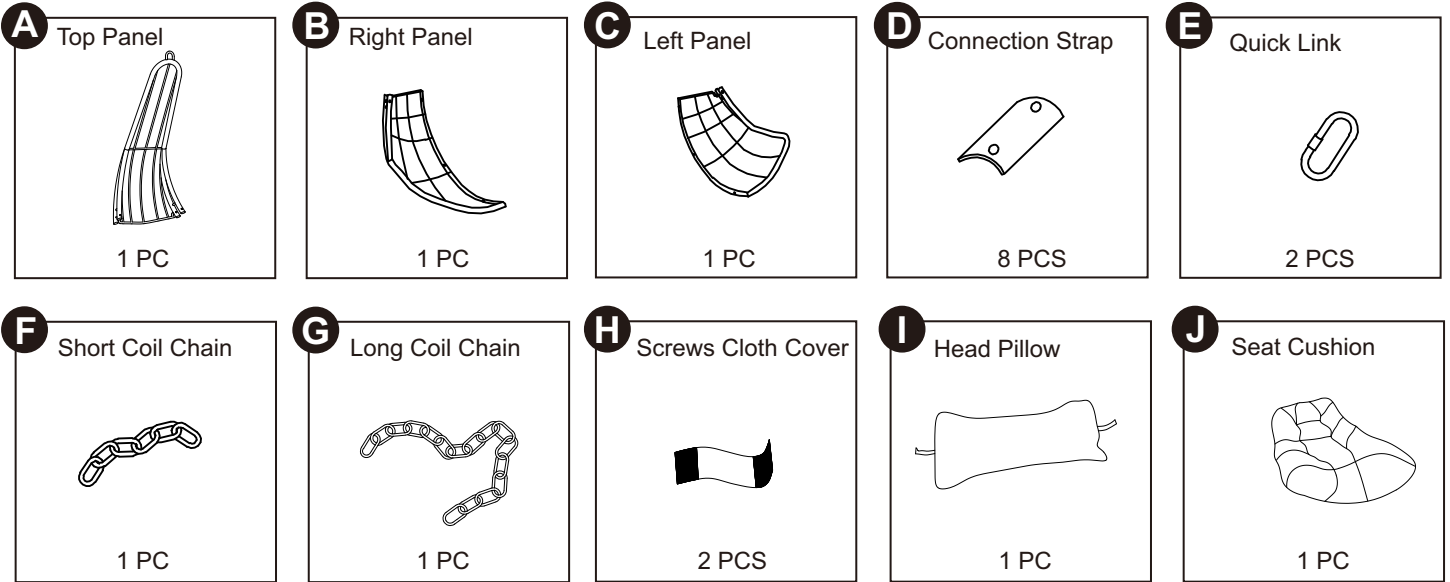
! NOTICE

- Please keep children away during assembly. This item contains small parts that can be dangerous for children. Children should always be under direct adult supervision while using this product.
- Do not discard any of the packaging until you have checked that you have all of the parts and fittings required.
- Carefully remove the contents from the package. If any parts are missing, broken, damaged, do not attempt to use the product until they have been obtained.
- Make sure that each bolt needed for all steps matches the corresponding figure ensure proper assembly.
- Please do not exceed the weight limitations of this item.
- Do not stand on or use any part of this item as a step ladder.
- Firmly secure all bolts, screws and knobs before use.
- Be aware that some parts are heavy and have sharp edges.
- Do not use or store this item in the proximity of open flame or flammable/combustible chemicals.

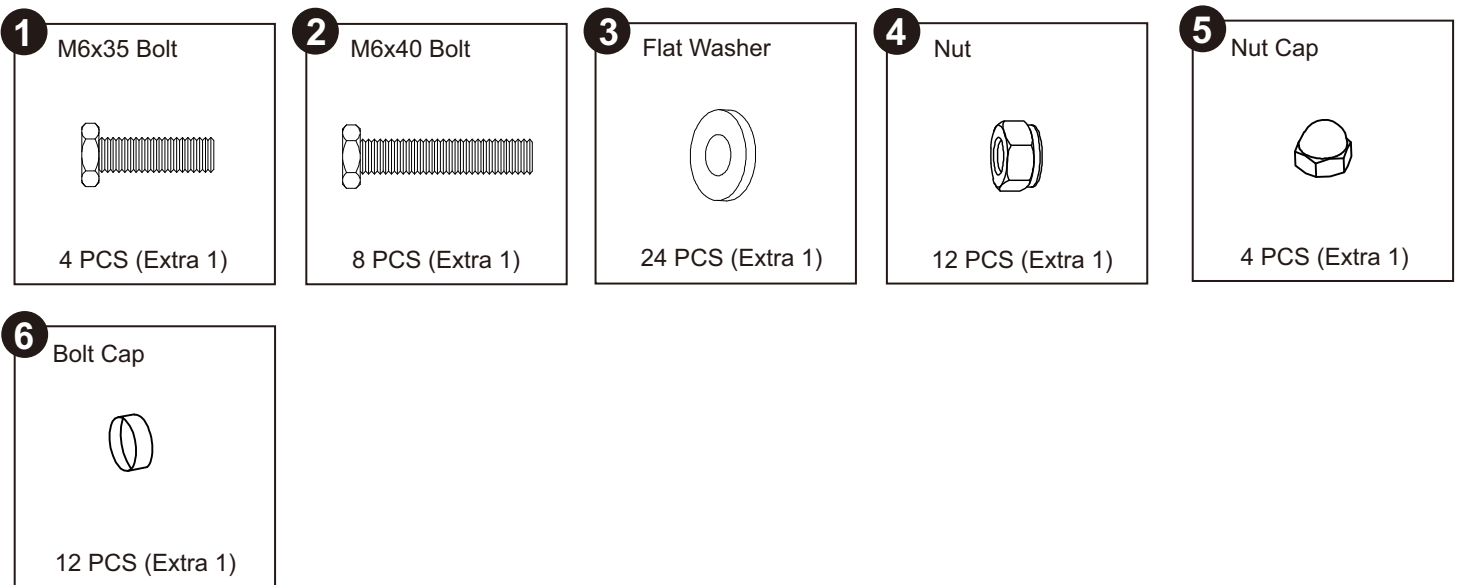
CLEANING AND MAINTENANCE

- Clean frame with mild soapy water, rinse thoroughly. Dry frame parts completely. Do not use bleach, acid, or other solvents on the fabric and metal parts.
- If outdoor furniture is caught during a sudden rain storm, please make sure to drain any water that may have accumulated inside the frame and dry completely.
- We recommend the use of furniture covers to protect when not in use, and store properly during inclement weather and the winter/rainy seasons.
- Inspect and tighten all bolts on a regular basis to ensure proper performance and safety.
- In order to prolong the life and beauty of your chaise lounge, we recommend storing it in a dry and protective area during off season periods.

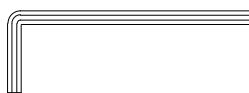
PARTS



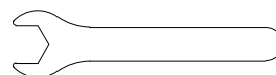
HARDWARE



TOOLS REQUIRED



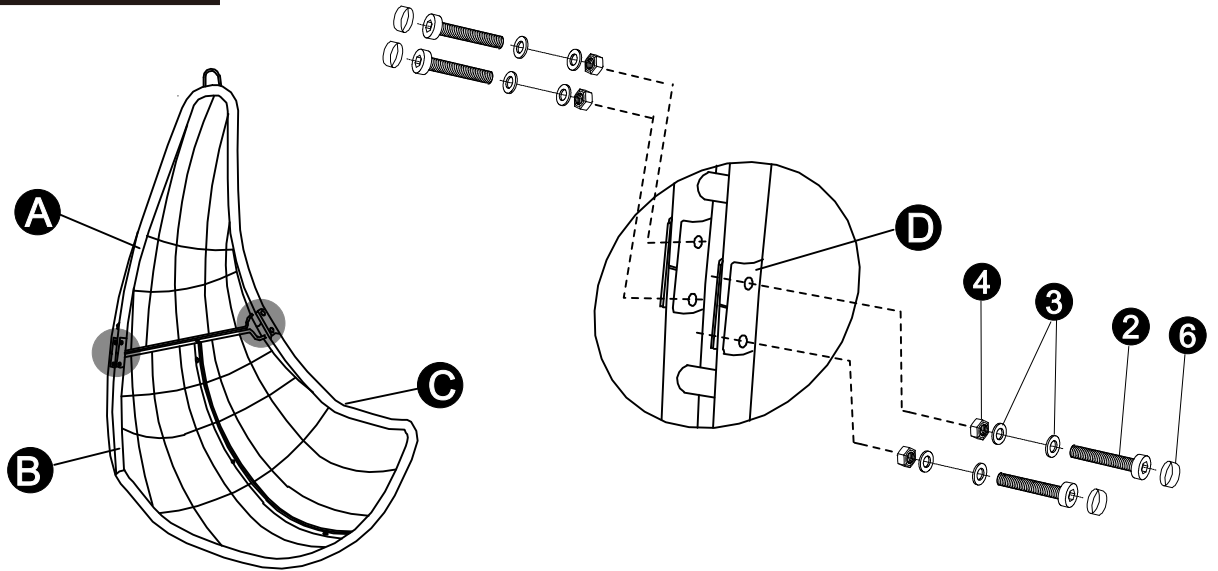
Allen Wrench
1 PC



Wrench
1 PC

PRODUCT ASSEMBLY

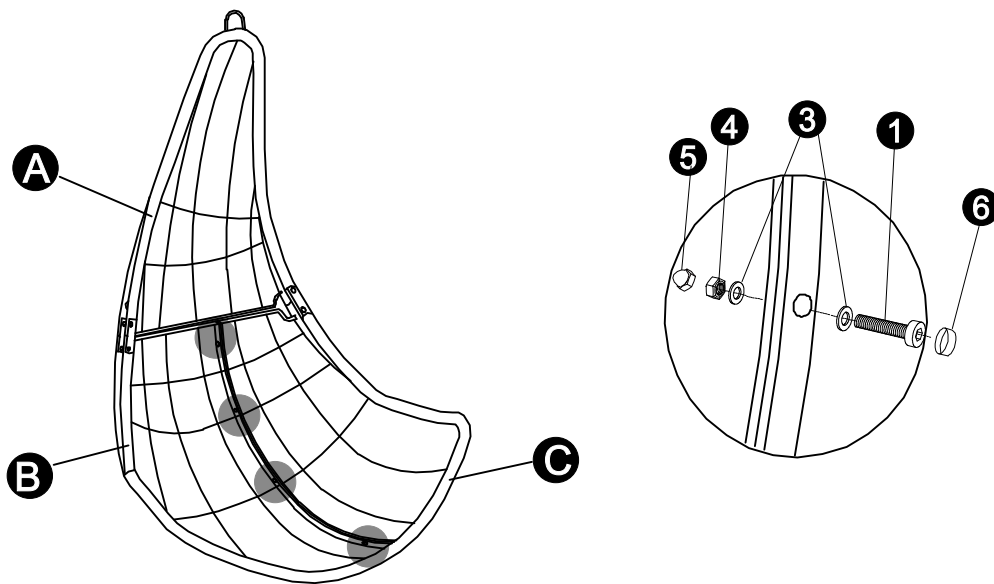
1



Attach top panel (A) to right panel (B) and left panel (C) using bolts (2), flat washers (3), nuts (4) and bolt caps (6).

NOTE: Please do not fully tighten bolts until unit is fully assembled.

2

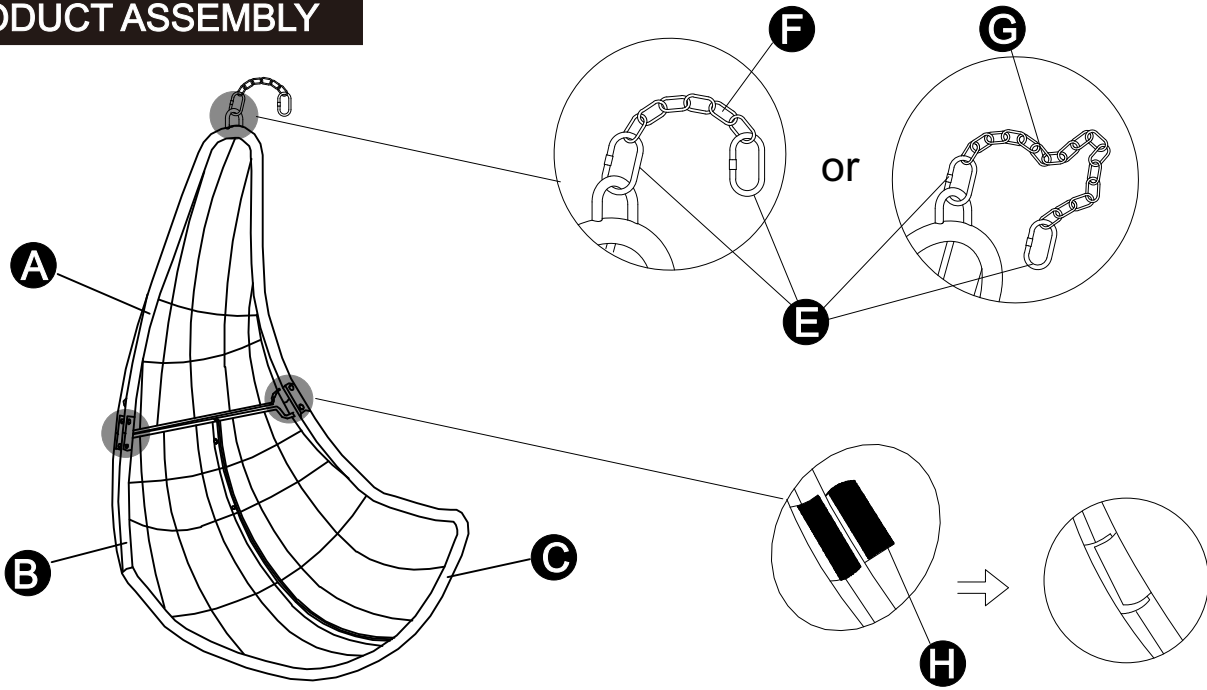


Attach right panel (B) to left panel (C) using bolts (1), flat washers (3), nuts (4), nut caps (5) and bolt caps (6).

NOTE: Please fully tighten all bolts at this time.

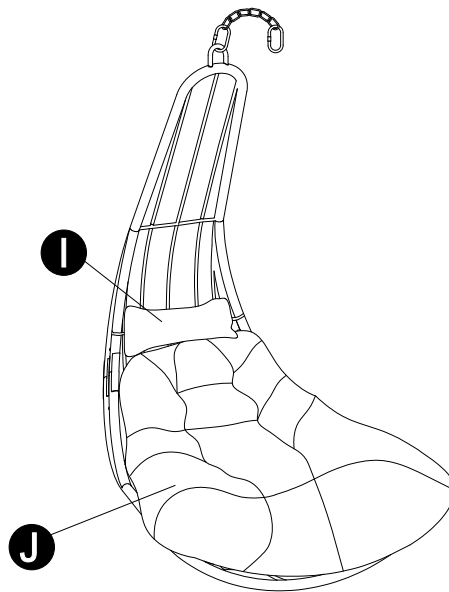
PRODUCT ASSEMBLY

3



Attach screws cloth cover (H) and short coil chain (F) or long coil chain (G) to panels (A, B & C).

4



Carefully turn assembled unit upright on a flat surface.
Place head pillow (I) and seat cushion (J) as shown below.

ENJOY YOUR PRODUCT NOW!