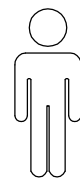
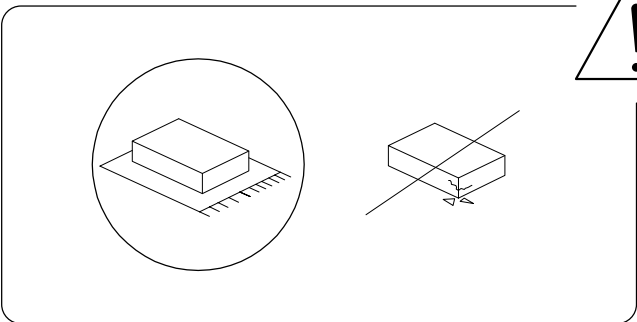
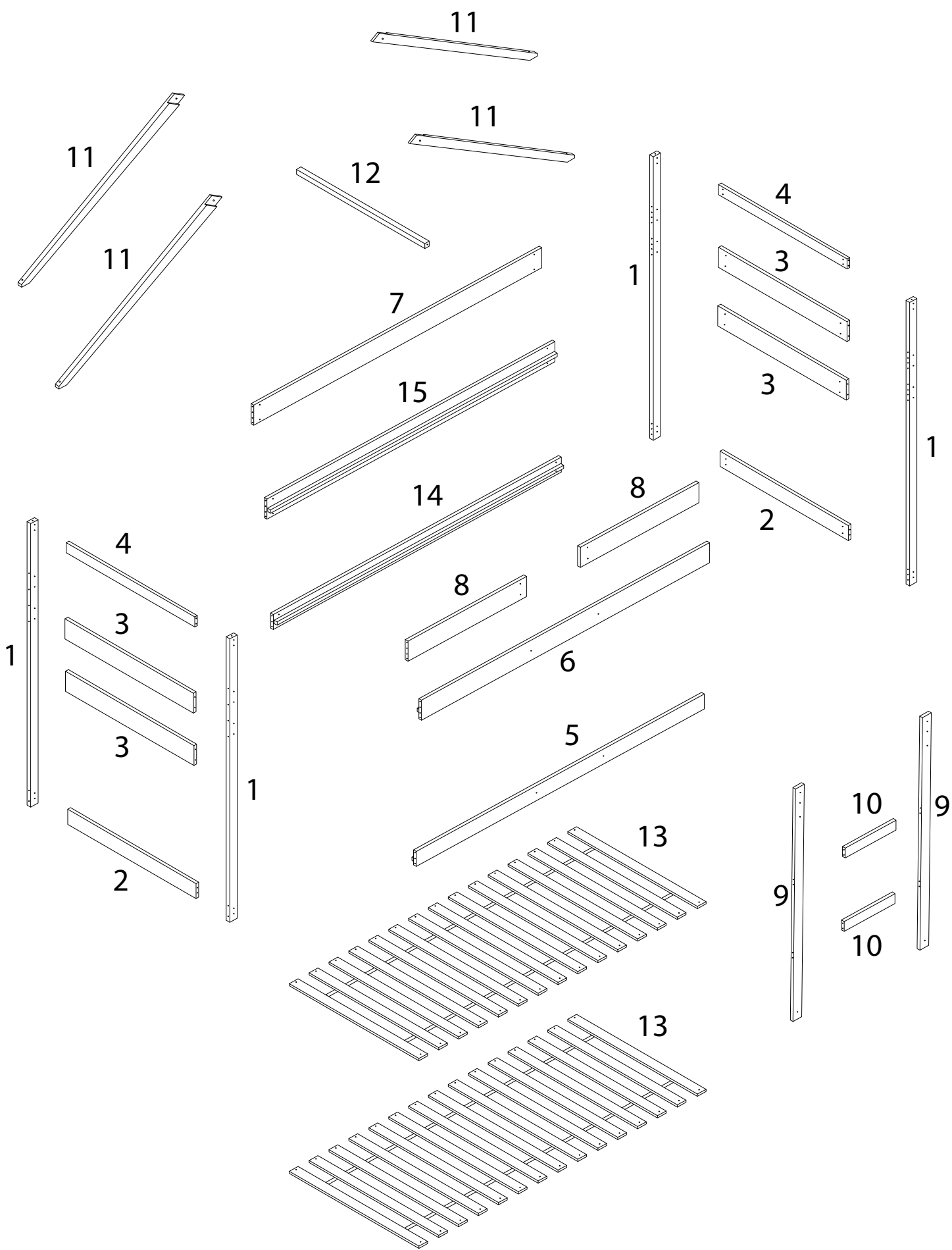


30'



2

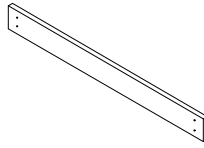


1



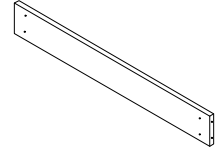
x 4

2



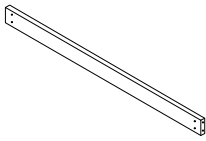
x 2

3



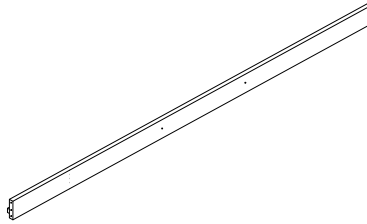
x 4

4



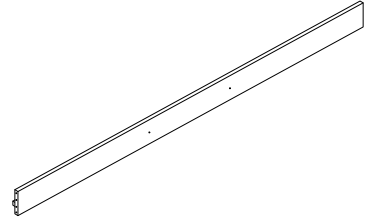
x 2

5



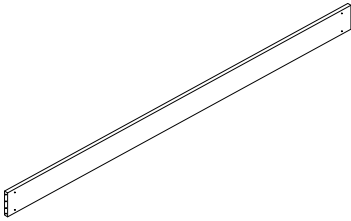
x 1

6



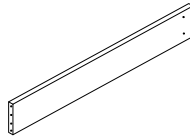
x 1

7



x 1

8



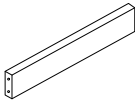
x 2

9



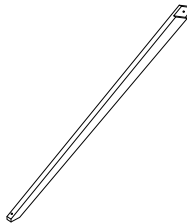
x 2

10



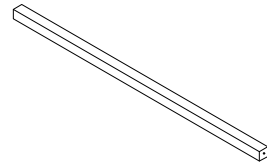
x 2

11



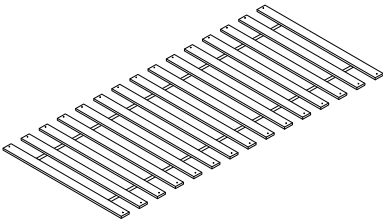
x 4

12



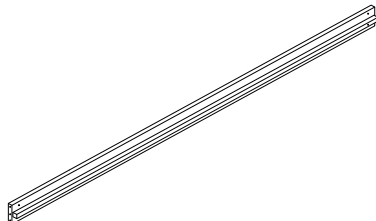
x 1

13



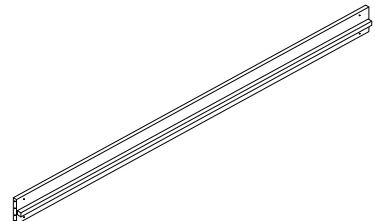
x 2

14



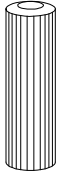
x 1

15



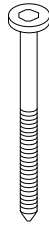
x 1

A



x 20

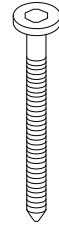
B



M4  
x  
90

x 24

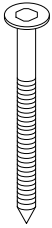
C



M4  
x  
65

x 32

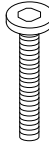
D



M5  
x  
70

x 6

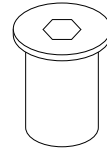
E



M6  
x  
35

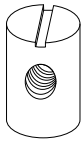
x 8

F



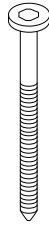
x 8

G



x 56

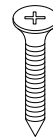
H



M4  
x  
100

x 8

I



M4  
x  
25

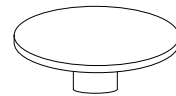
x 60

J




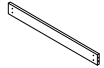


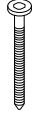


x 2

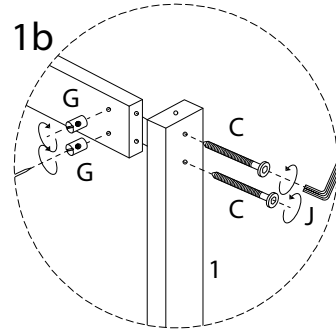
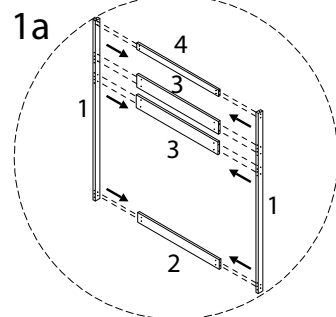
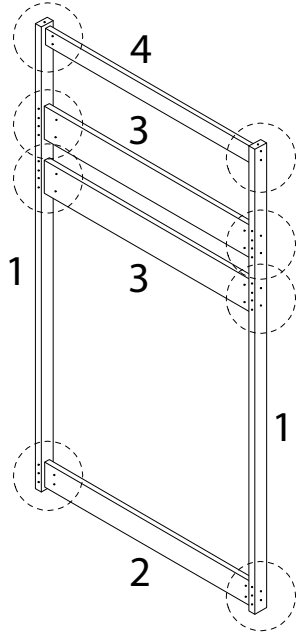
K



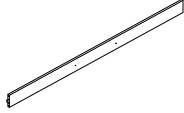
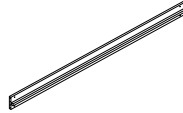

x 74

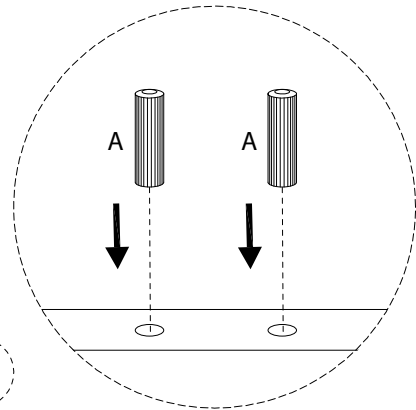
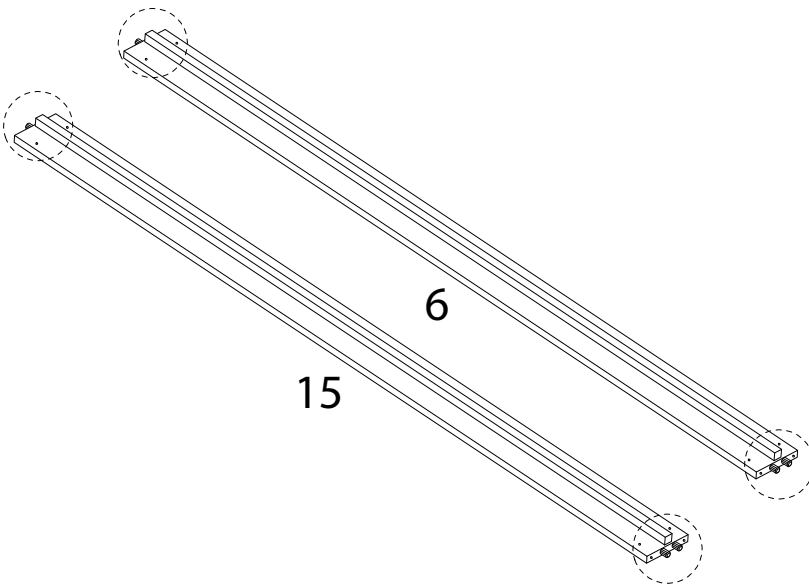
1 x 2

1  x 2	2  x 1	3  x 2	4  x 1	C  M4 x 65 x 16	G  x 16	J  x 1
---	---	---	---	---	--	---

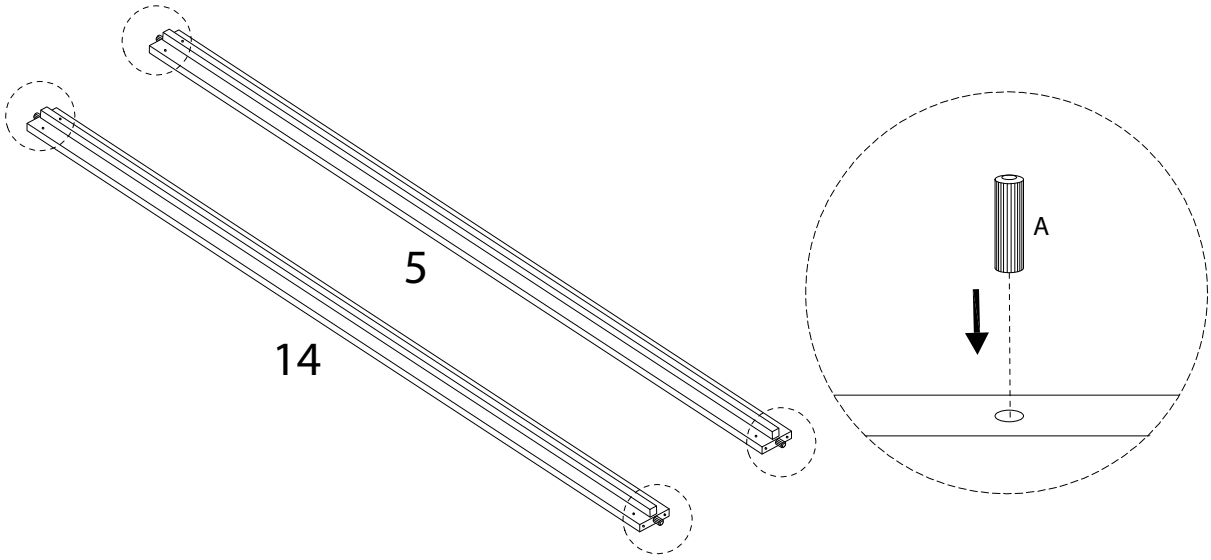
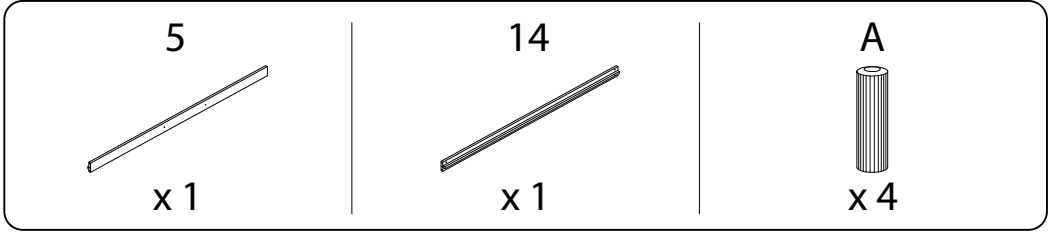


2

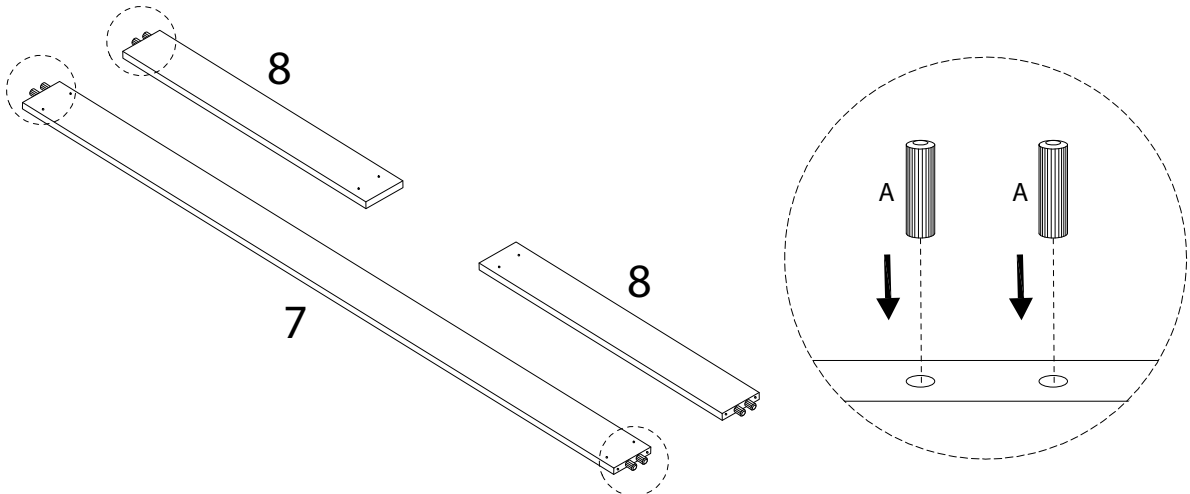
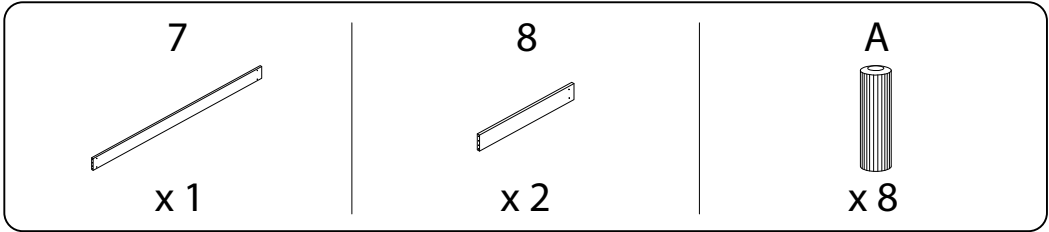
6  x 1	15  x 1	C  x 8
---	--	---



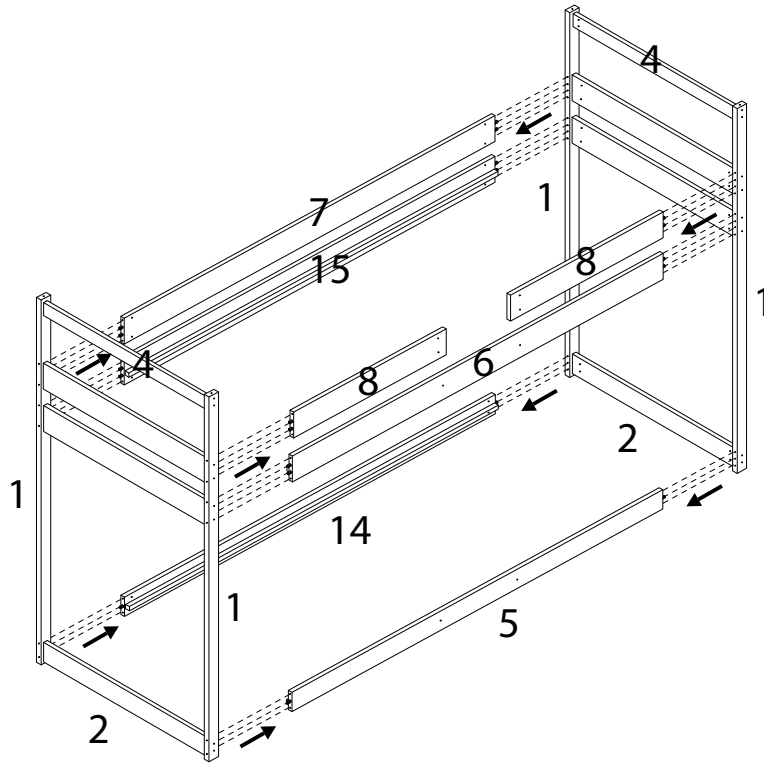
3



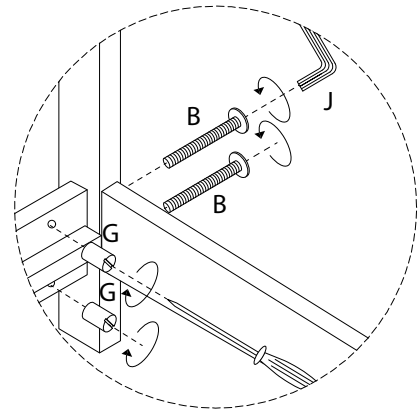
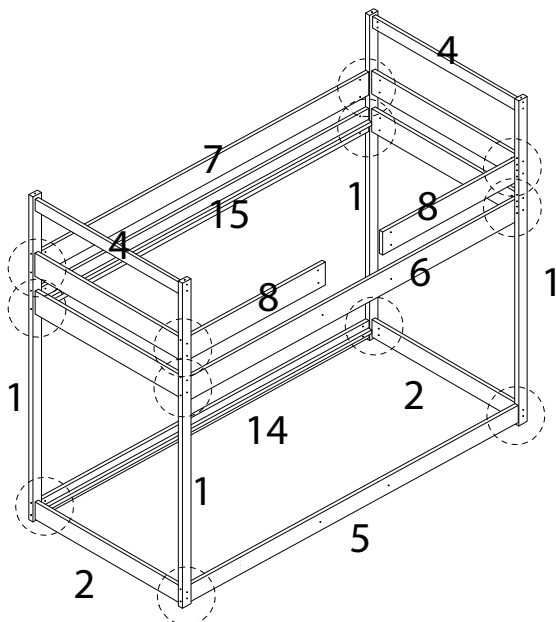
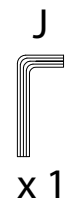
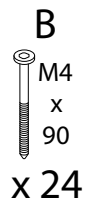
4



5



6



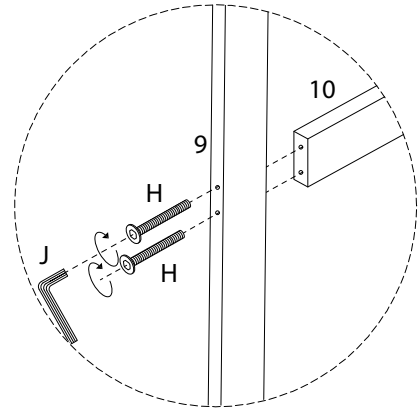
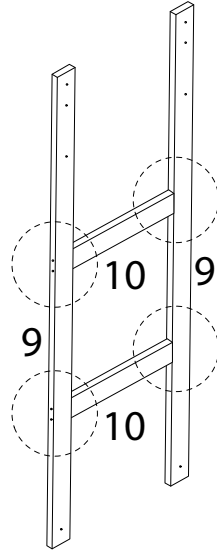
7

9  
x 2

10  
x 2

H  
M4  
x  
100  
x 8

J  
x 1

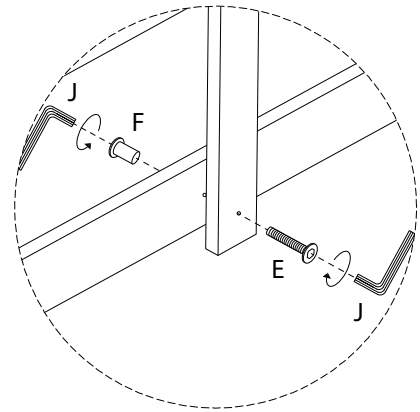
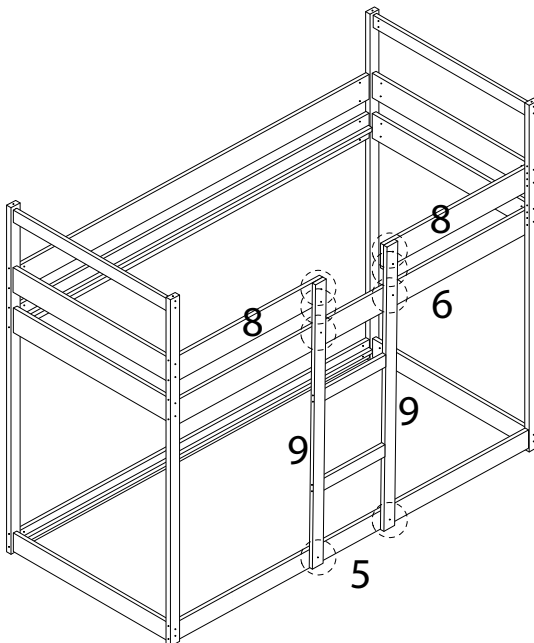


8

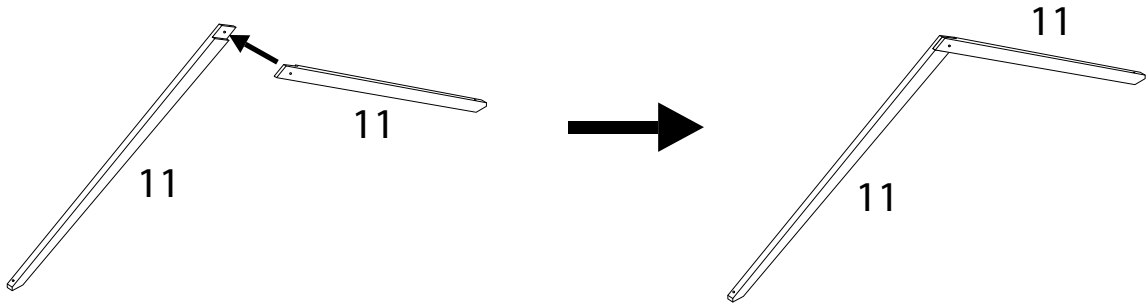
E  
M6  
x  
35  
x 8

F  
x 8

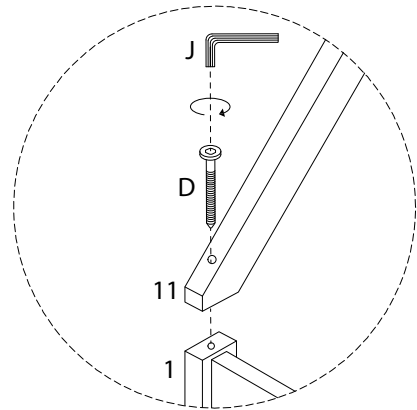
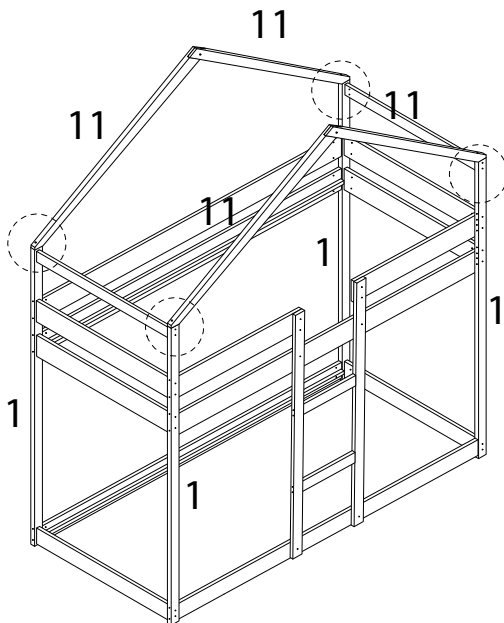
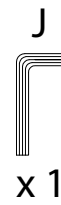
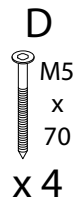
J  
x 2



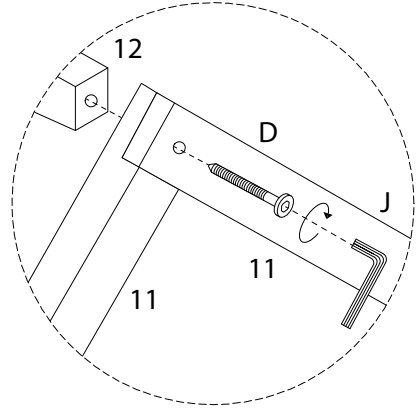
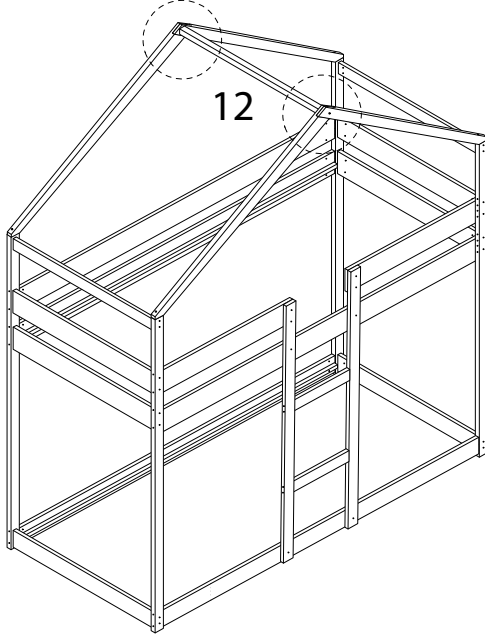
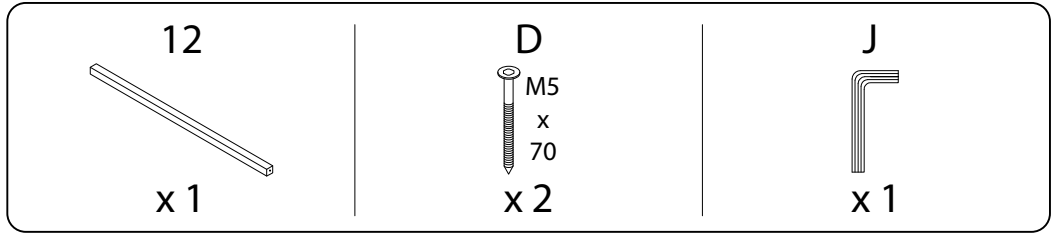
9 x 2



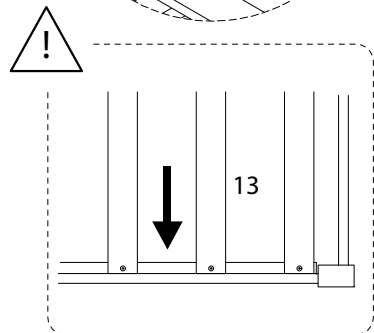
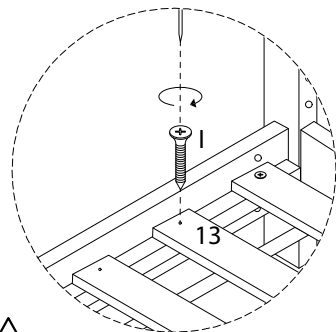
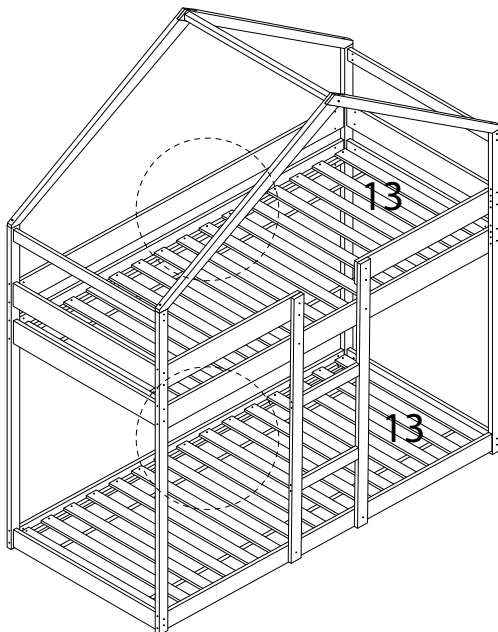
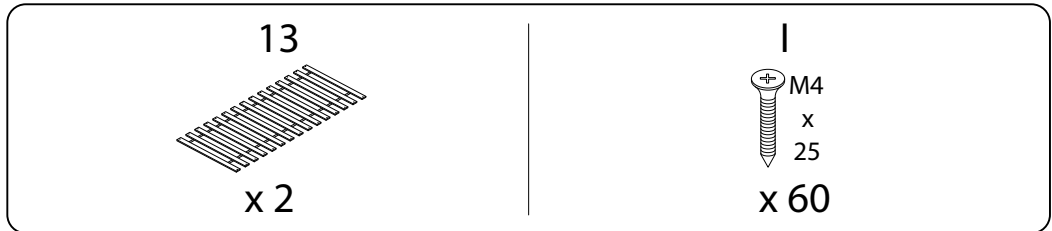
10



11

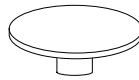


12



13

K



x 74

