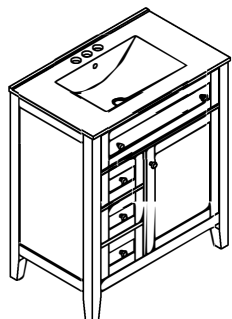


ASSEMBLY INSTRUCTIONS

Thank you for purchasing this quality Product. Be sure to check all packing material carefully for small parts, which may have come loose inside carton during shipment. Identify and count all parts and compare with the parts list below.






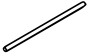














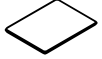

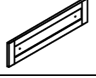



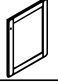



ASSEMBLY INSTRUCTION:

1. Remove hardware from box and sort by size.
2. Please check to see that all hardware and parts are present prior start of assembly.
3. Please follow attached instruction in the same sequence as numbered above for fast and easy assembly.

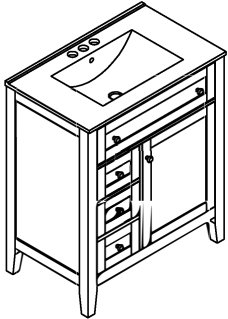
WARNING!

1. Do not attempt to repair or modify parts that are broken or defective. Please contact the store immediately.
2. This product is for home use only and not intended for commercial establishments.
3. Two persons are required for assembly.
4. Approximate assembly time 1/2 hours.
5. Component parts and fittings contained in the box. Please sort out all parts before you begin to assemble the item. This is to make sure you always use the correct part.
6. It is **STRONGLY RECOMMENDED** that you **ANCHOR** this product. Tying furniture can cause serious injuries and death. To prevent your furniture from tipping forward it is strongly recommended that you securely attach this product to a wall or other solid surface, using the anchor straps provided appropriate fixings.

No.	Component	Q'ty	No.	Component	Q'ty
1	 Side Panel-Left	1	16	 Racket Panel (R)	1
2	 Side Panel-Right	1	17	 Mid Racket Panel	2
3	 Middle Panel	1	18	 Round horizontal Bar	2
4	 Front Rail - Above	1	19	 Front Drawer Panel Top	1
5	 Back Panel - Up	1	20	 Back Drawer Panel Top	1
6	 Back Panel - Middle	1	21	 Sides Drawer Panel Top (L)	1
7	 Front Rail - Middle #1	1	22	 Sides Drawer Panel Top (R)	1
8	 Back Panel - Low	1	23	 Bottom Drawer Panel	2
9	 Middle Panel #2	1	24	 Front Drawer Panel Bottom	1
10	 Bottom Panel	1	25	 Back Drawer Panel Bottom	1
11	 Shelf	1	26	 Sides Drawer Panel Bottom (L)	1
12	 Front Flip down Box	1	27	 Sides Drawer Panel Bottom (R)	1
13	 Back Flip down Box	1	28	 Sink	1
14	 Door	1			
15	 Racket Panel (L)	1			

ASSEMBLY INSTRUCTIONS

Thank you for purchasing this quality Product. Be sure to check all packing material carefully for small parts, which may have come loose inside carton during shipment. Identify and count all parts and compare with the parts list below.

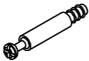





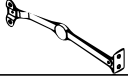
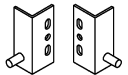













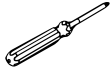
ASSEMBLY INSTRUCTION:

1. Remove hardware from box and sort by size.
2. Please check to see that all hardware and parts are present prior start of assembly.
3. Please follow attached instruction in the same sequence as numbered above for fast and easy assembly.

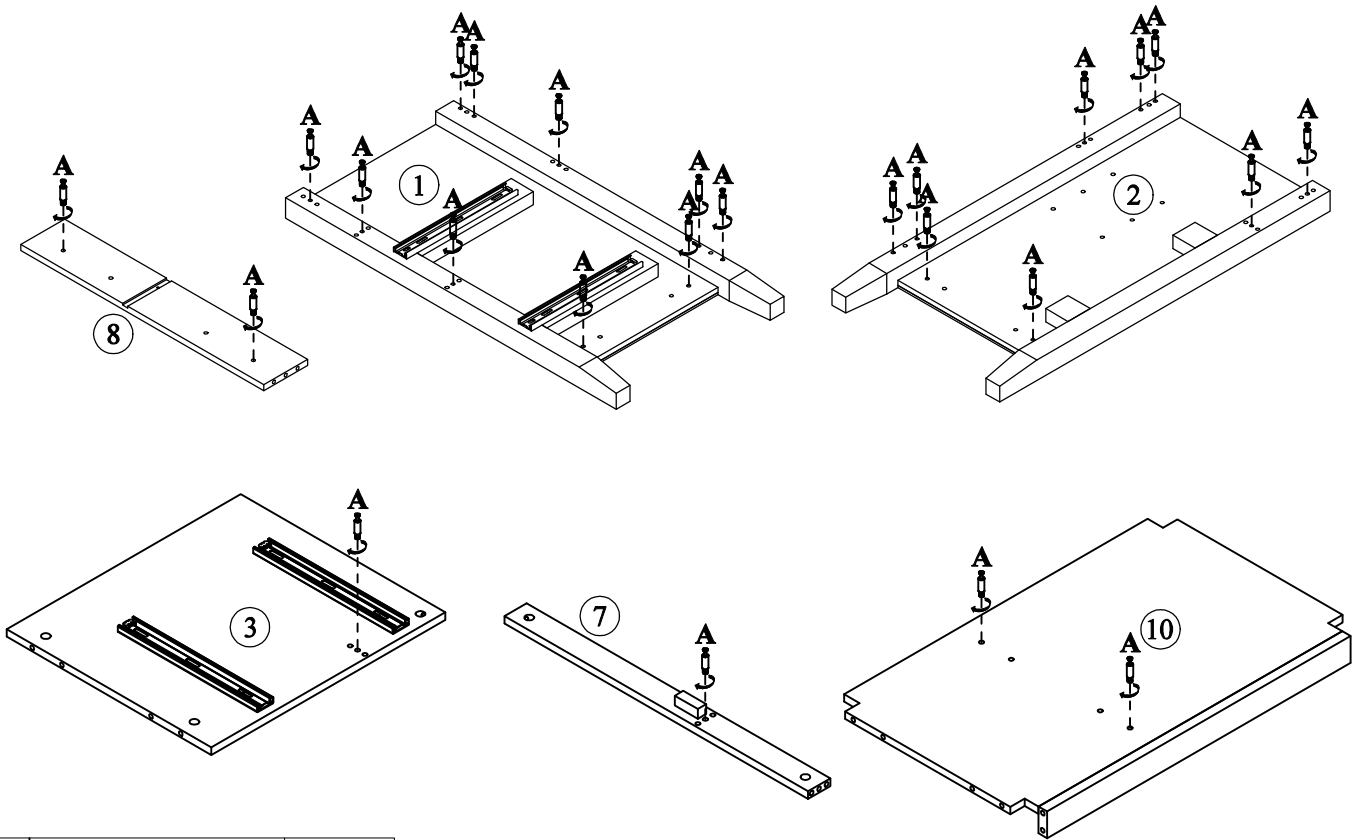
WARNING!

1. Do not attempt to repair or modify parts that are broken or defective. Please contact the store immediately.
2. This product is for home use only and not intended for commercial establishments.
3. Two persons are required for assembly.
4. Approximate assembly time 1/2 hours.
5. Component parts and fittings contained in the box. Please sort out all parts before you begin to assemble the item. This is to make sure you always use the correct part.
6. It is **STRONGLY RECOMMENDED** that you **ANCHOR** this product. Tying furniture can cause serious injuries and death. To prevent your furniture from tipping forward it is strongly recommended that you securely attach this product to a wall or other solid surface, using the anchor straps provided appropriate fixings.

No.	Hardware	Q'ty
A	 Cam Lock Screws	33
B	 Cam Lock	33
C	 Handle	6
D	 Screws $\varnothing 5/32" \times 32\text{mm}$	2
E	 Screws $\varnothing 5/32" \times 35\text{mm}$	3
F	 Screws $\varnothing 5/32" \times 28\text{mm}$	1
G	 Rod Support hinges - Right	1
H	 Swivel Hinges (L/R)	2
I	 Screws $\varnothing 6 \times \varnothing 3 \times 12\text{mm}$	8
J	 Hinges	2

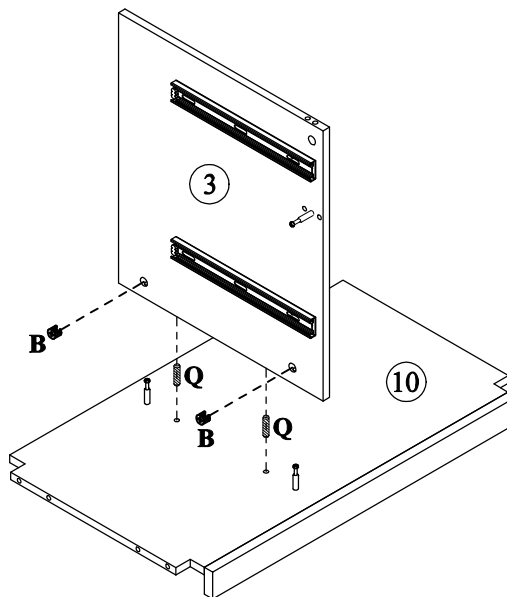
No.	Hardware	Q'ty
K	 Screws $\varnothing 7 \times \varnothing 3.5 \times 15\text{mm}$	12
L	 Shelf Support	4
M	 Screws $\varnothing 7 \times \varnothing 3.5 \times 12\text{mm}$	4
N	 Screws $\varnothing 8 \times \varnothing 4 \times 25\text{mm}$	2
O	 Screws $\varnothing 8 \times \varnothing 4 \times 15\text{mm}$	3
P	 Screws $\varnothing 8 \times \varnothing 4 \times 32\text{mm}$	16
Q	 Wooden $\varnothing 8 \times 30\text{mm}$	42
R	 Wooden $\varnothing 6 \times 30\text{mm}$	12
S	 Anti fall hardware (sets)	1
	 Not Included	

Step 1



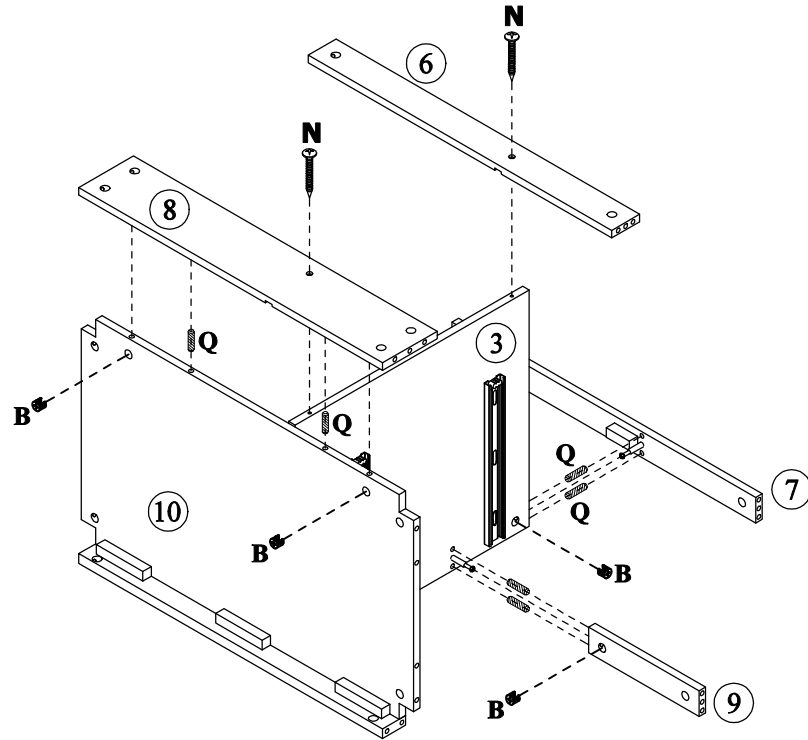
No	Hardware	Q'ty
A	Cam Lock Screws	25

Step 2



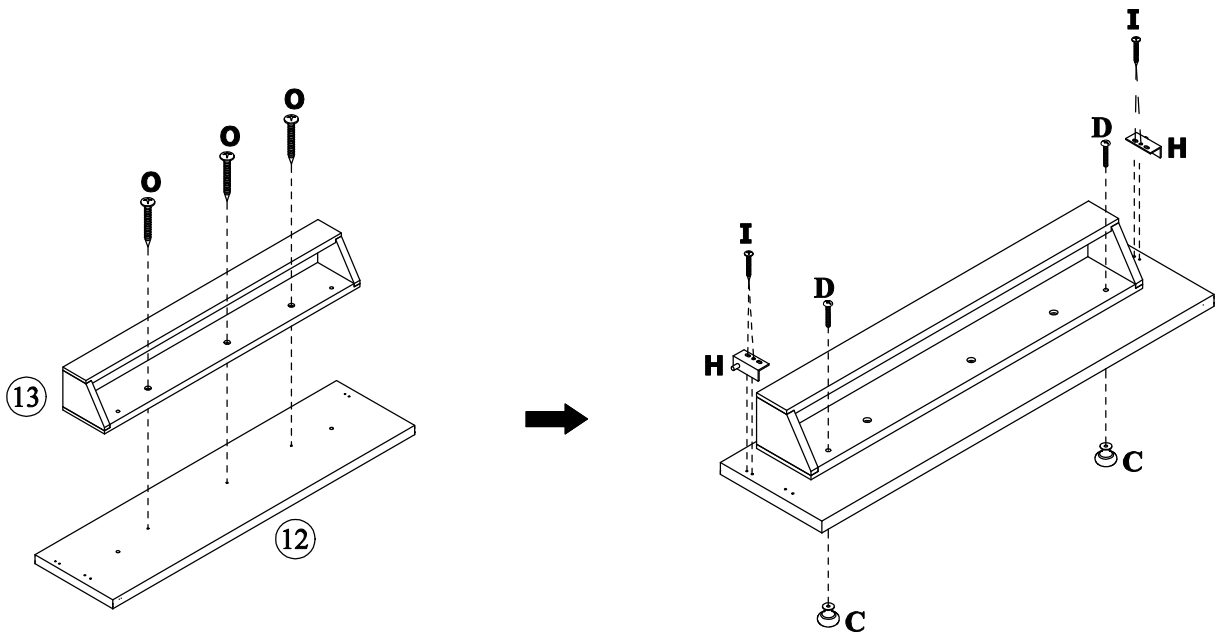
No	Hardware	Q'ty
B	Cam Lock	2
Q	Wooden ø8x30mm	2

Step 3



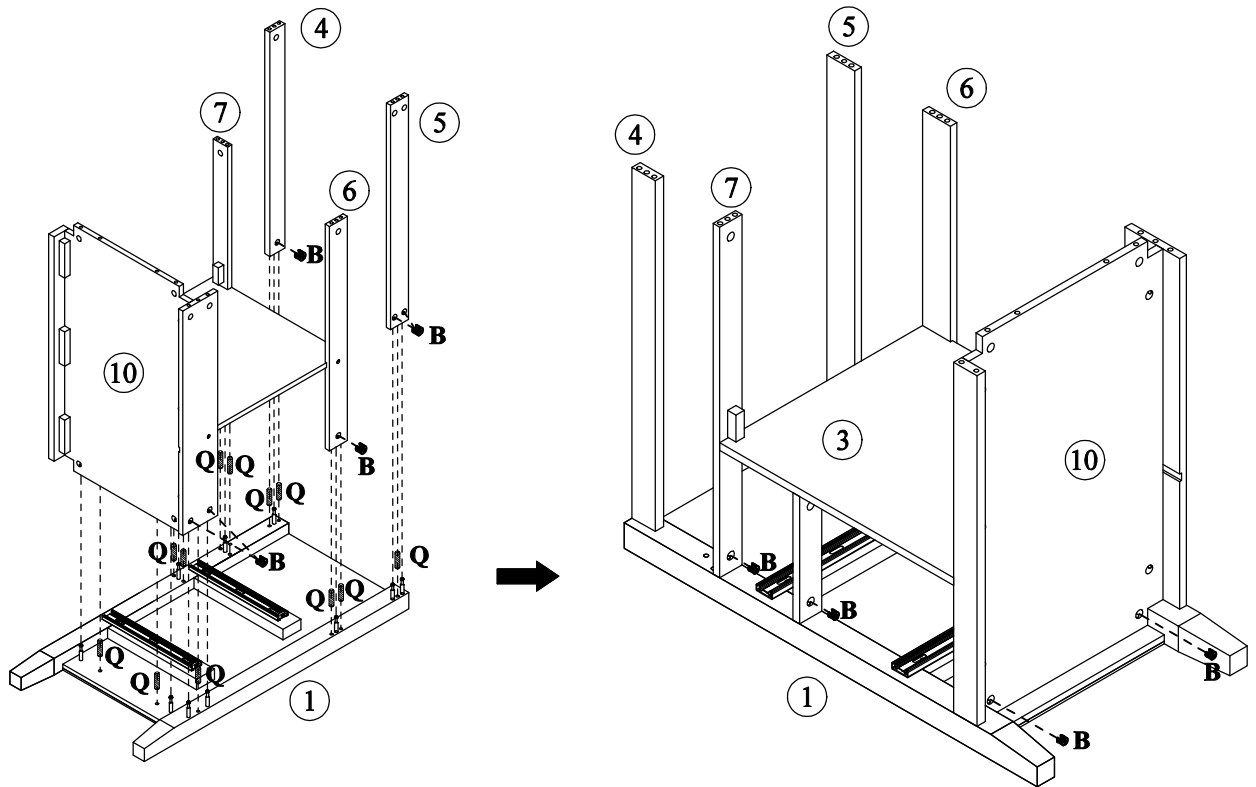
No	Hardware	Q'ty
N	Screws $\varnothing 8 \times \varnothing 4 \times 25 \text{mm}$	2
B	Cam Lock	4
Q	Wooden $\varnothing 8 \times 30 \text{mm}$	6

Step 4



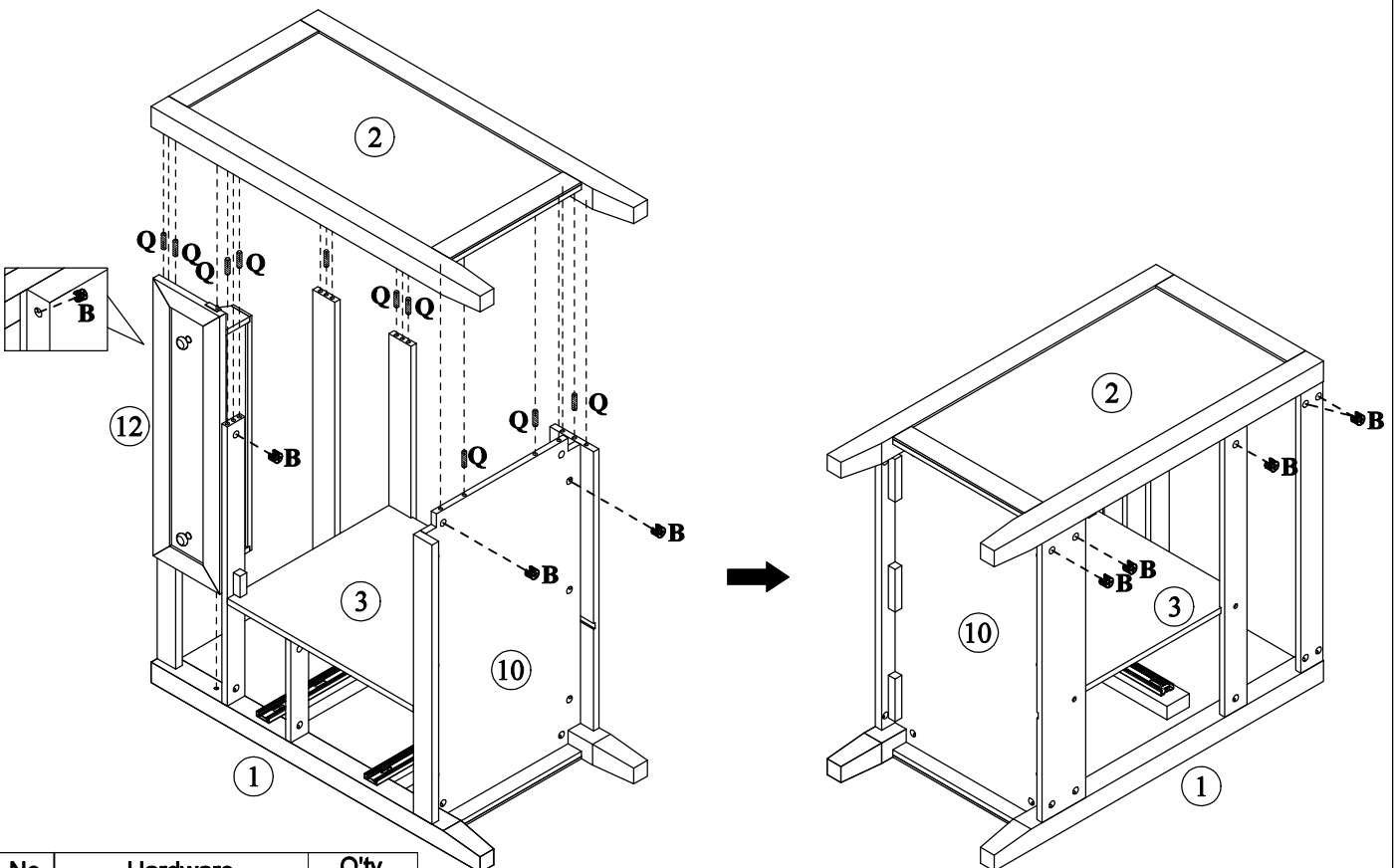
No	Hardware	Q'ty
D	Screws $\varnothing 5/32 \times 32 \text{mm}$	2
C	Handle	2
H	Swivel Hinges (L/R)	2
I	Screws $\varnothing 6 \times \varnothing 3 \times 12 \text{mm}$	4
O	Screws $\varnothing 8 \times \varnothing 4 \times 15 \text{mm}$	3

Step 5



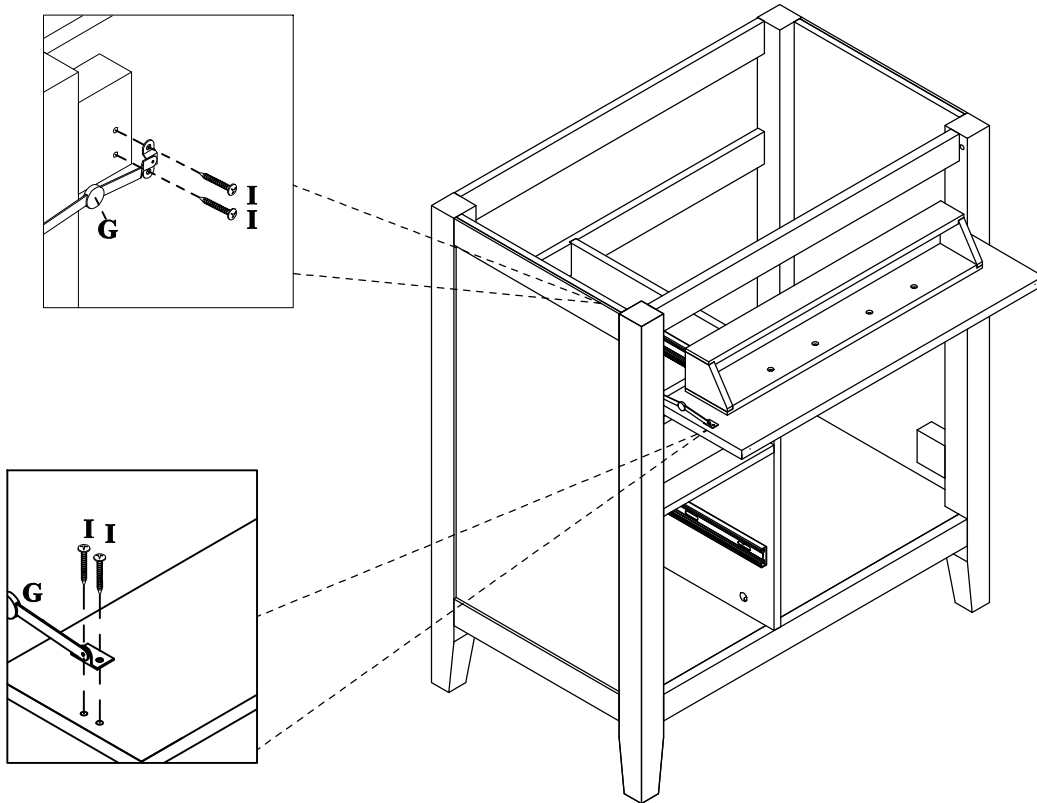
No	Hardware	Q'ty
B	Cam Lock	10
Q	Wooden $\varnothing 8 \times 30 \text{mm}$	12

Step 6



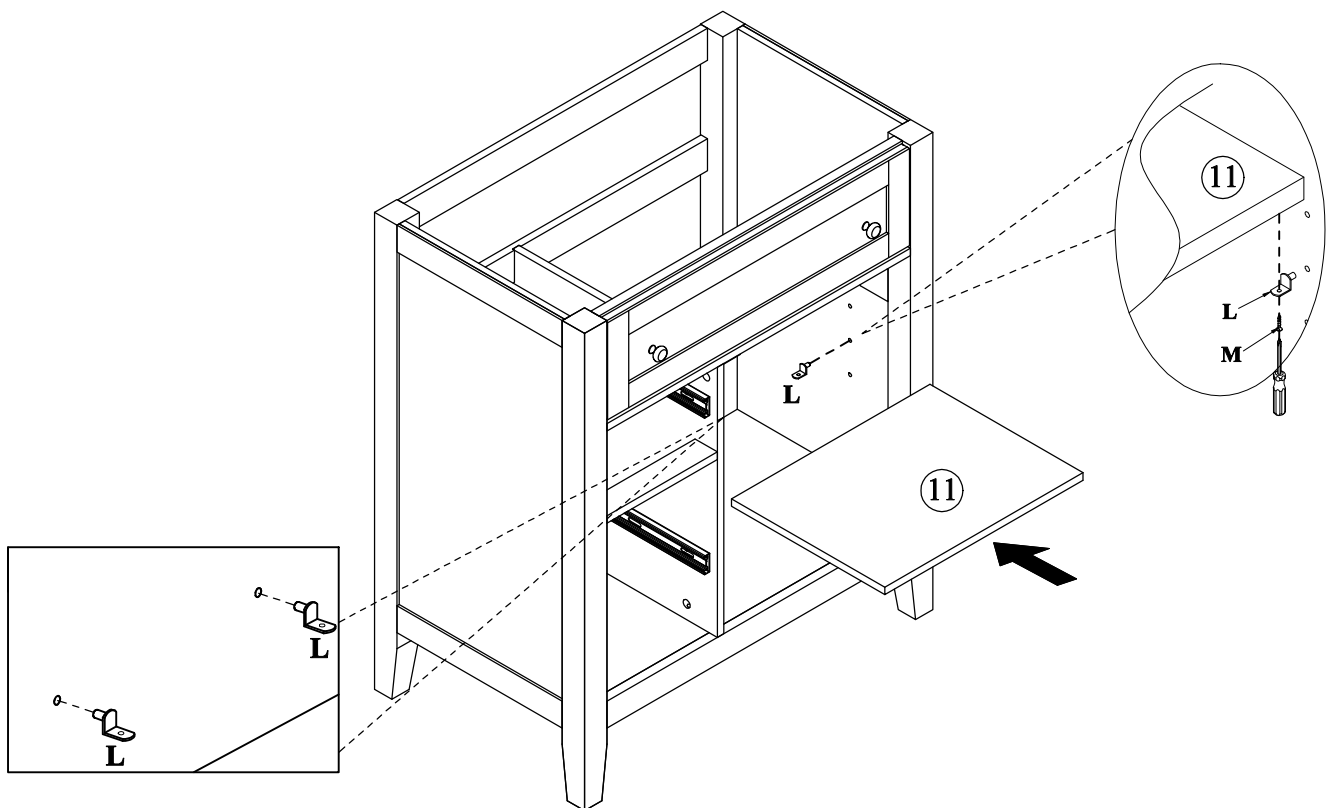
No	Hardware	Q'ty
B	Cam Lock	9
Q	Wooden $\varnothing 8 \times 30 \text{mm}$	10

Step 7



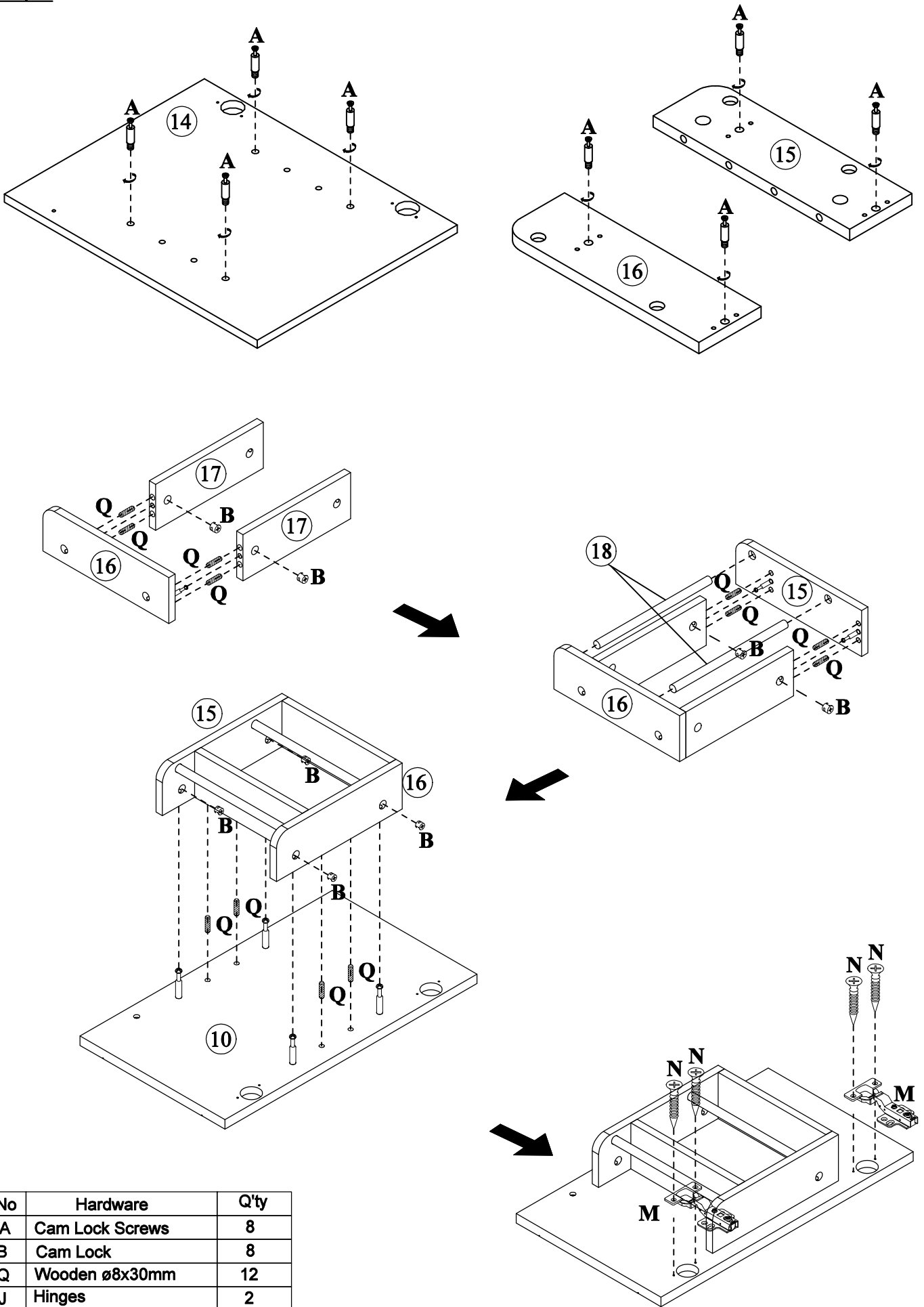
No	Hardware	Q'ty
G	Rod Support hinges	1
I	Screws $\varnothing 6 \times \varnothing 3 \times 12 \text{mm}$	4

Step 8



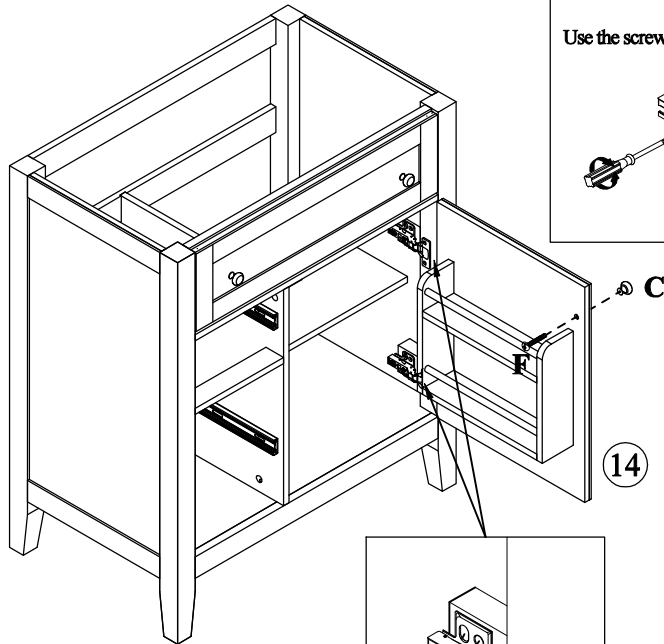
No	Hardware	Q'ty
L	Shelf Support	4
M	Screws $\varnothing 7 \times \varnothing 3.5 \times 12 \text{mm}$	4

Step 9



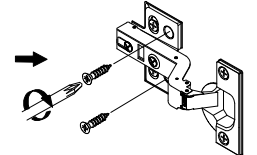
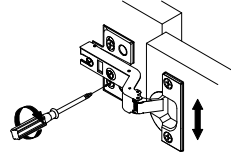
No	Hardware	Q'ty
A	Cam Lock Screws	8
B	Cam Lock	8
Q	Wooden $\varnothing 8 \times 30 \text{mm}$	12
J	Hinges	2
K	Screws $\varnothing 7 \times \varnothing 3.5 \times 12 \text{mm}$	4

Step 9



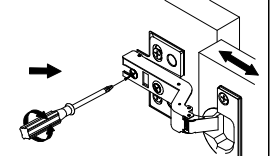
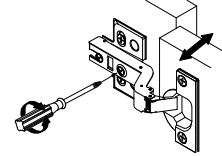
Use the screws to adjust up or down

Use the screws to permanent



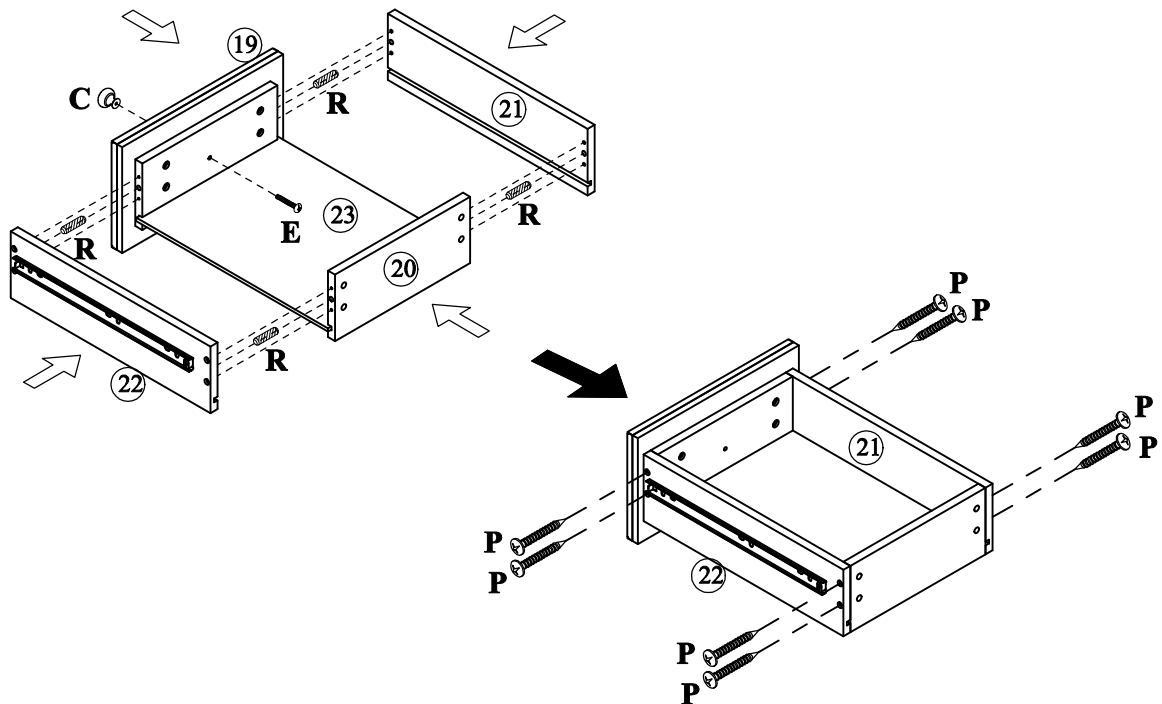
Use the screws to adjust left or right

Use the screws to adjust in or out



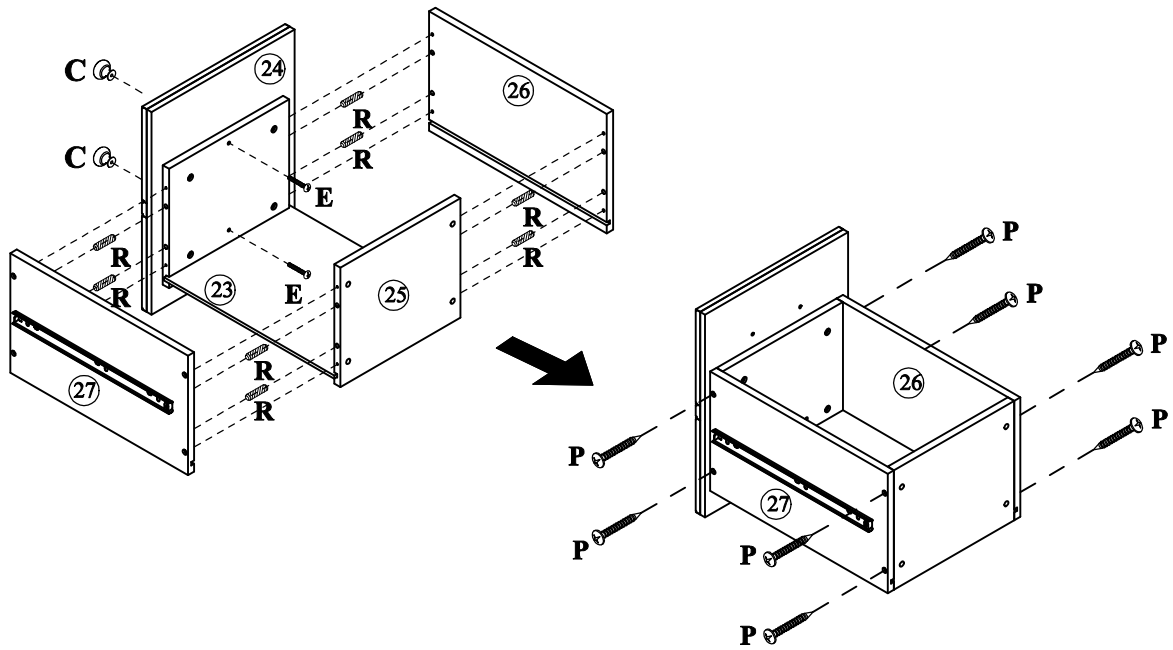
No	Hardware	Q'ty
F	Screws $\phi 5/32"$ x28mm	1
C	Handle	1
K	Screws $\phi 7 \times \phi 3.5 \times 12$ mm	8

Step 10



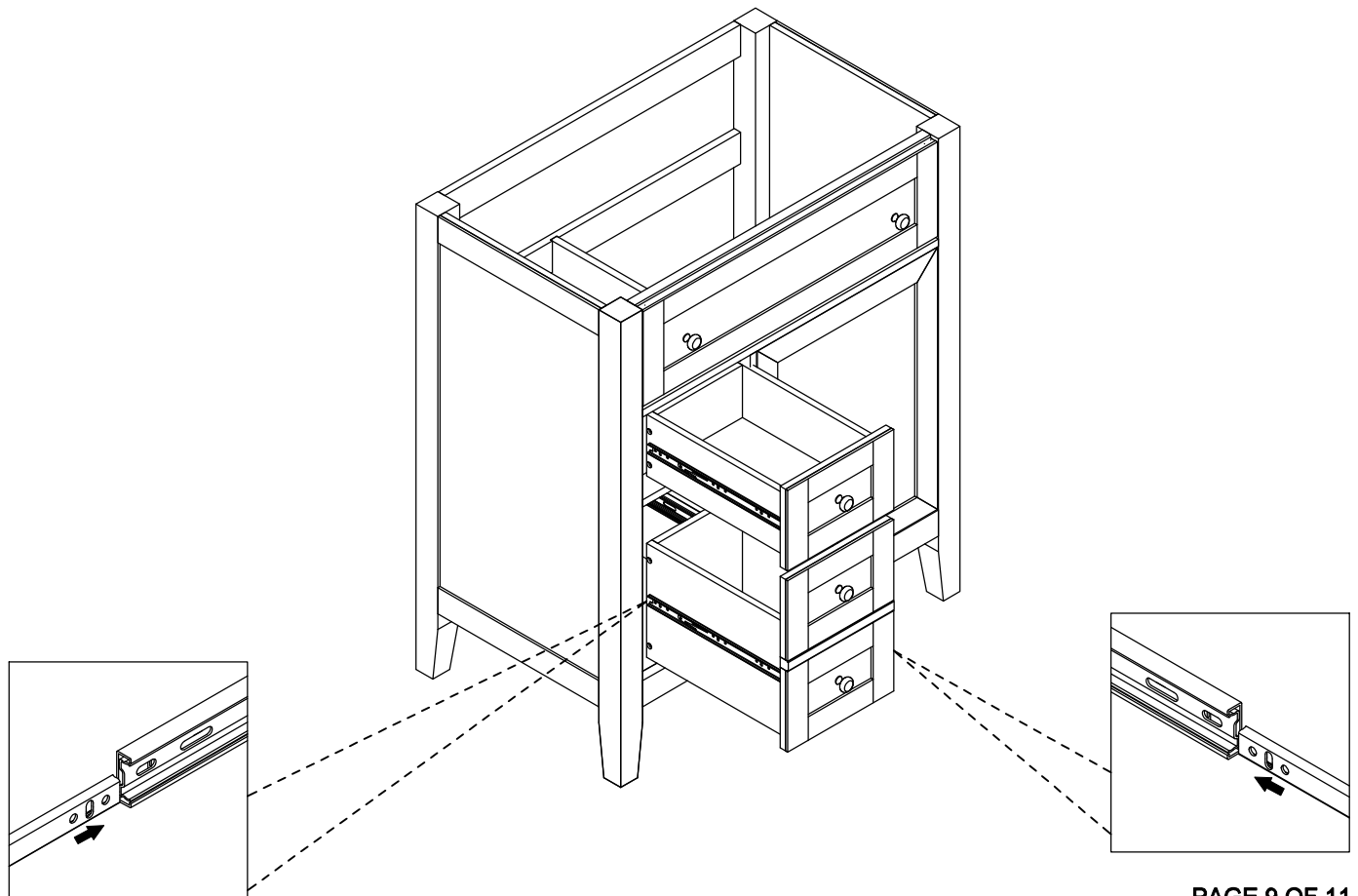
No	Hardware	Q'ty
R	Wooden $\phi 6 \times 30$ mm	4
E	Screws $\phi 5/32"$ x25mm	1
C	Handle	1
P	Screws $\phi 8 \times \phi 4 \times 32$ mm	8

Step 11

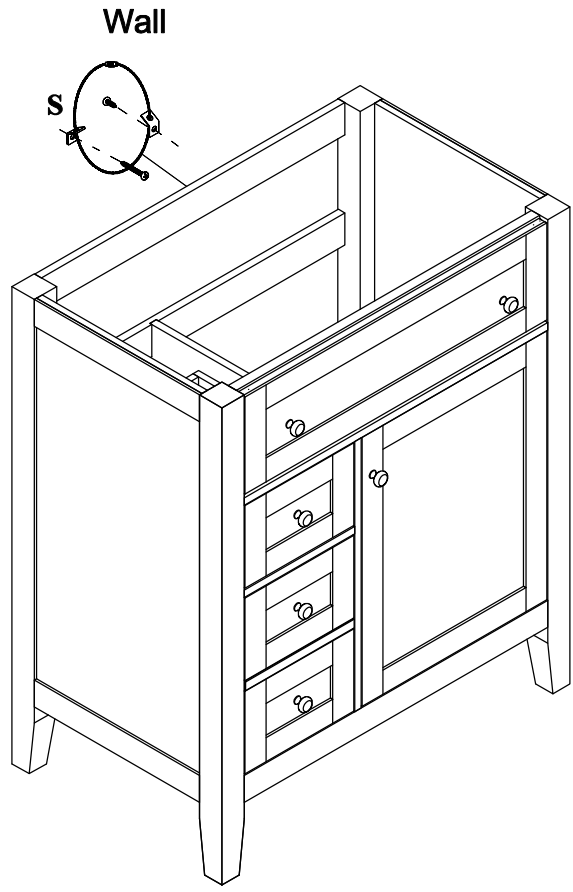


No	Hardware	Q'ty
R	Wooden $\varnothing 6 \times 30 \text{mm}$	8
E	Screws $\varnothing 5/32" \times 25 \text{mm}$	2
C	Handle	2
P	Screws $\varnothing 8 \times \varnothing 4 \times 32 \text{mm}$	8

Step 12

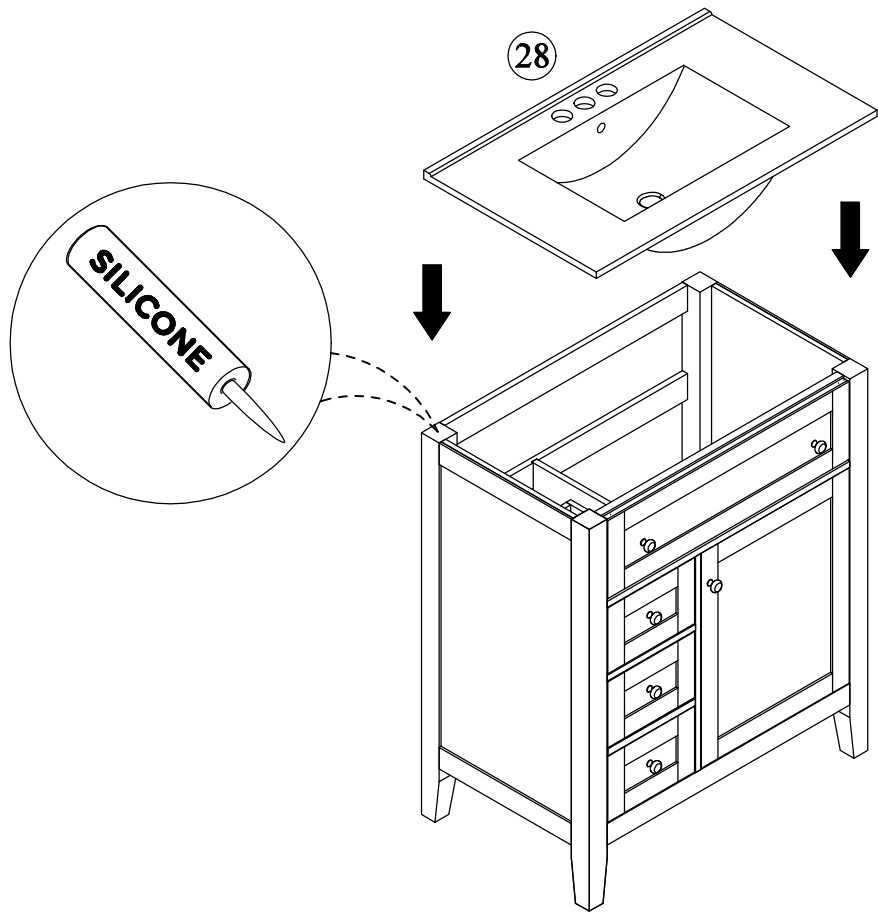


Step 18



No	Hardware	Q'ty
s	Anti fall hardware	1

Step 19



Step 20

