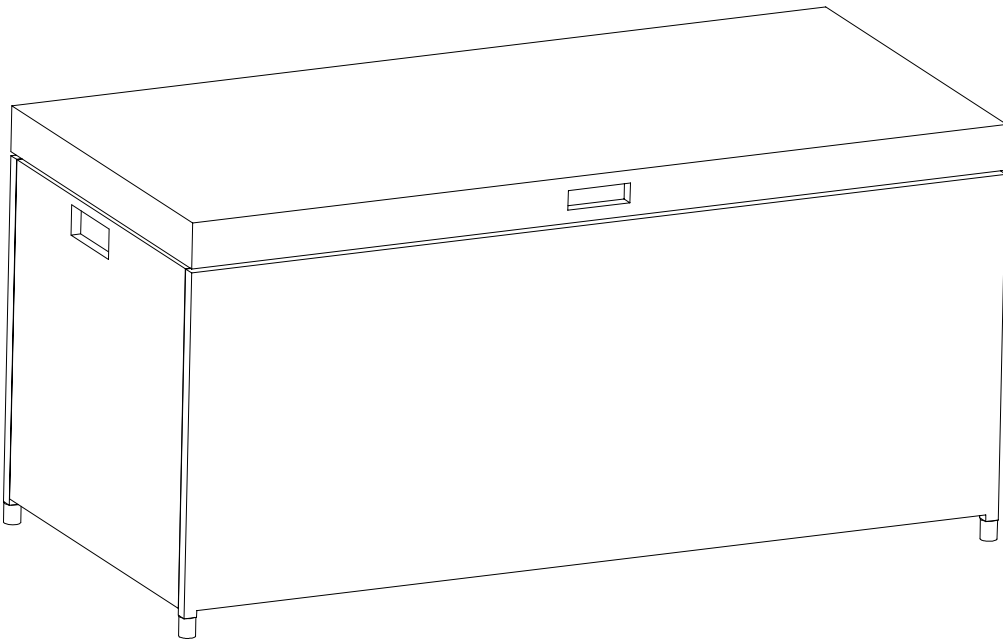


WICKER STORAGE CHEST

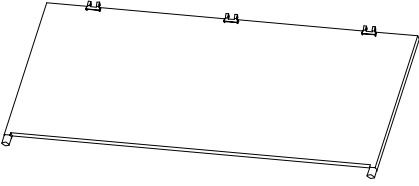
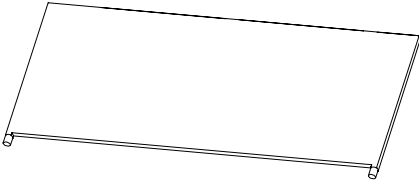
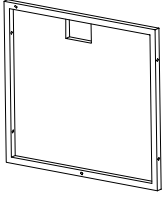
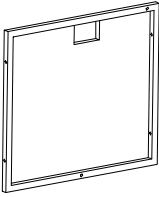
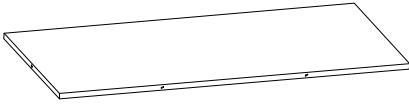
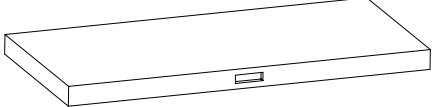


Congratulations! You have purchased a stylish piece of our furniture. We strived to provide fine furniture products, built with quality materials and hand finished details. Please carefully follow the assembly instructions to ensure your furniture is assembled correctly to provide long lasting enjoyment.

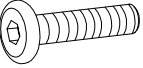
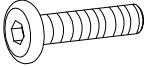
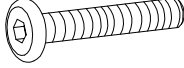

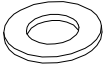

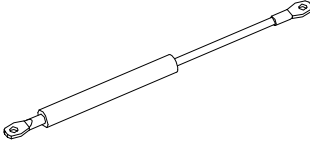

Should you experience any missing or damaged parts, **do not return to the store**, Please visit our website or contact us directly.

Care: Use a soft, clean cloth that will not scratch the surface when cleaning. The use of solvents is not necessary. Should you choose to use solvents, test in an inconspicuous area first to avoid damaging the finish. TO clean, simply use a soft, clean cloth lightly dampened with water.

PART LIST

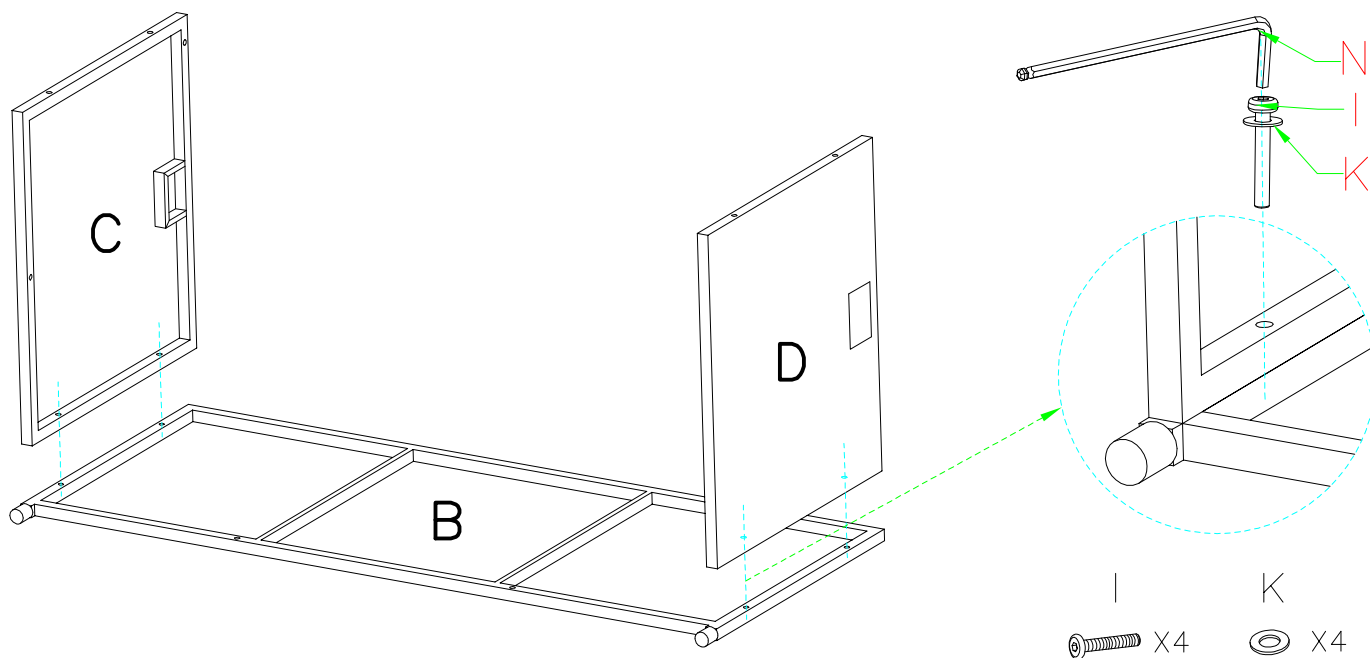
 <p>Back Panel</p>		 <p>Front Panel</p>		 <p>Left Panel</p>	
A	1pc	B	1pc	C	1pc
 <p>Right Panel</p>		 <p>Bottom Panel</p>		 <p>Top Panel</p>	
D	1pc	E	1pc	F	1pc

HARDWARE LIST

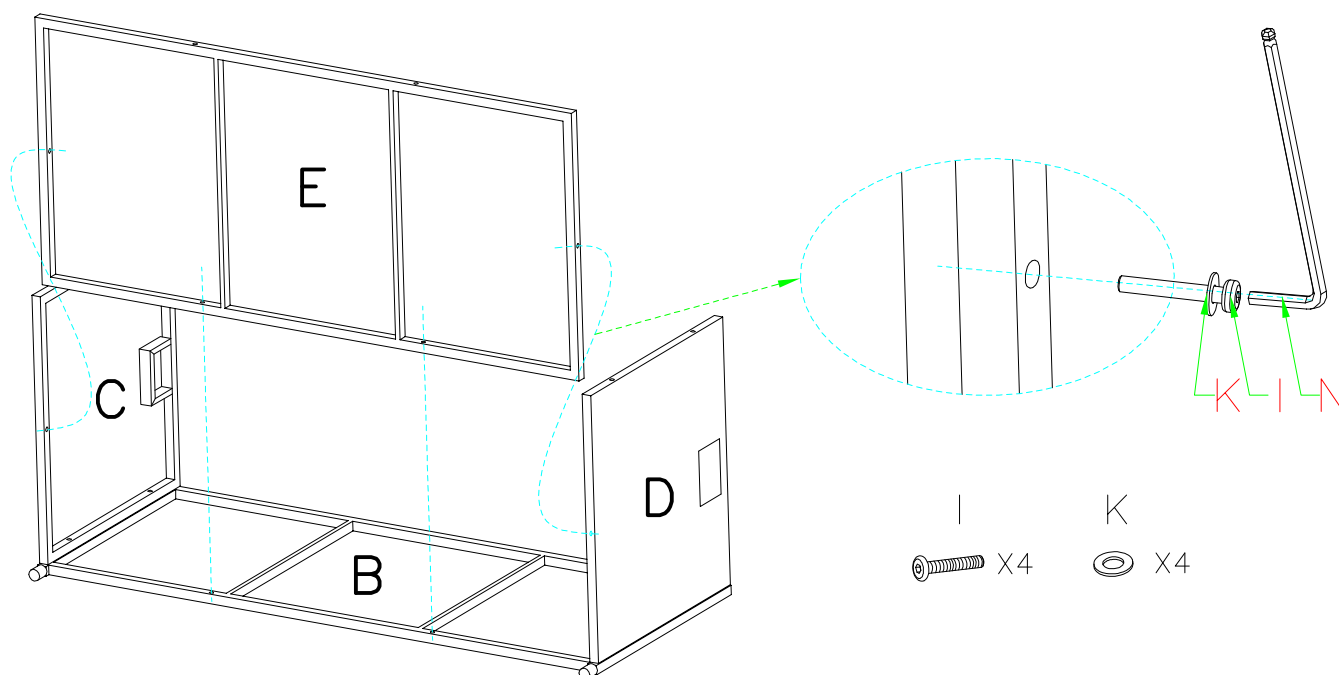
 <p>Short Bolt (M6*10mm)</p>		 <p>Mid Bolt (M6*20mm)</p>		 <p>Long Bolt (M6*40mm)</p>		 <p>Inner Thread Bolt (M6*40mm)</p>	
G	3pcs	H	4pcs	I	14pcs	J	3pcs
 <p>Flat Washer(M6mm)</p>		 <p>Plastic Washer</p>		 <p>Hinge Support</p>		 <p>Allen Key(M6mm)</p>	
K	18pcs	L	4pcs	M	2pcs	N	2pcs

Step 1. Lay Front Panel (B) down on a flat surface, attach Left Panel (C) and Right Panel (D) to Front Panel (B) using a Long Bolt (I) and Flat Washers (K).

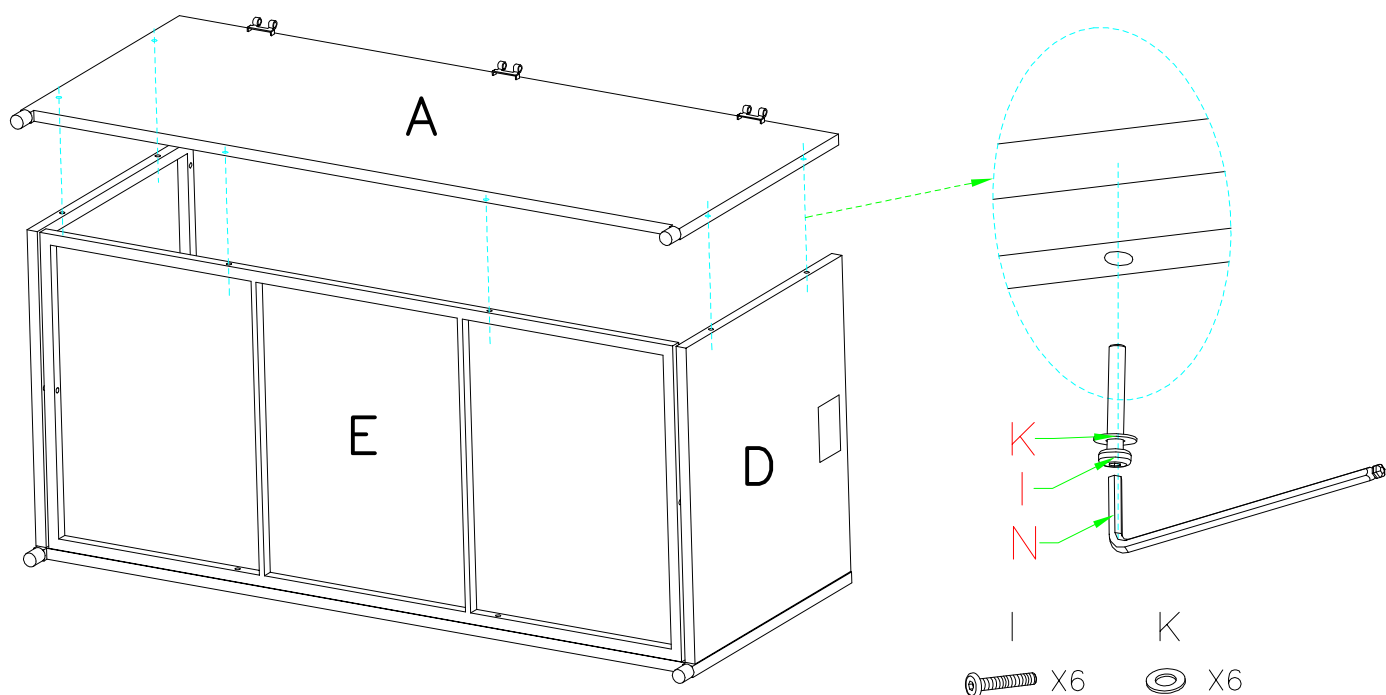
Note: Please do not tighten bolts before fully completing all assembly steps.



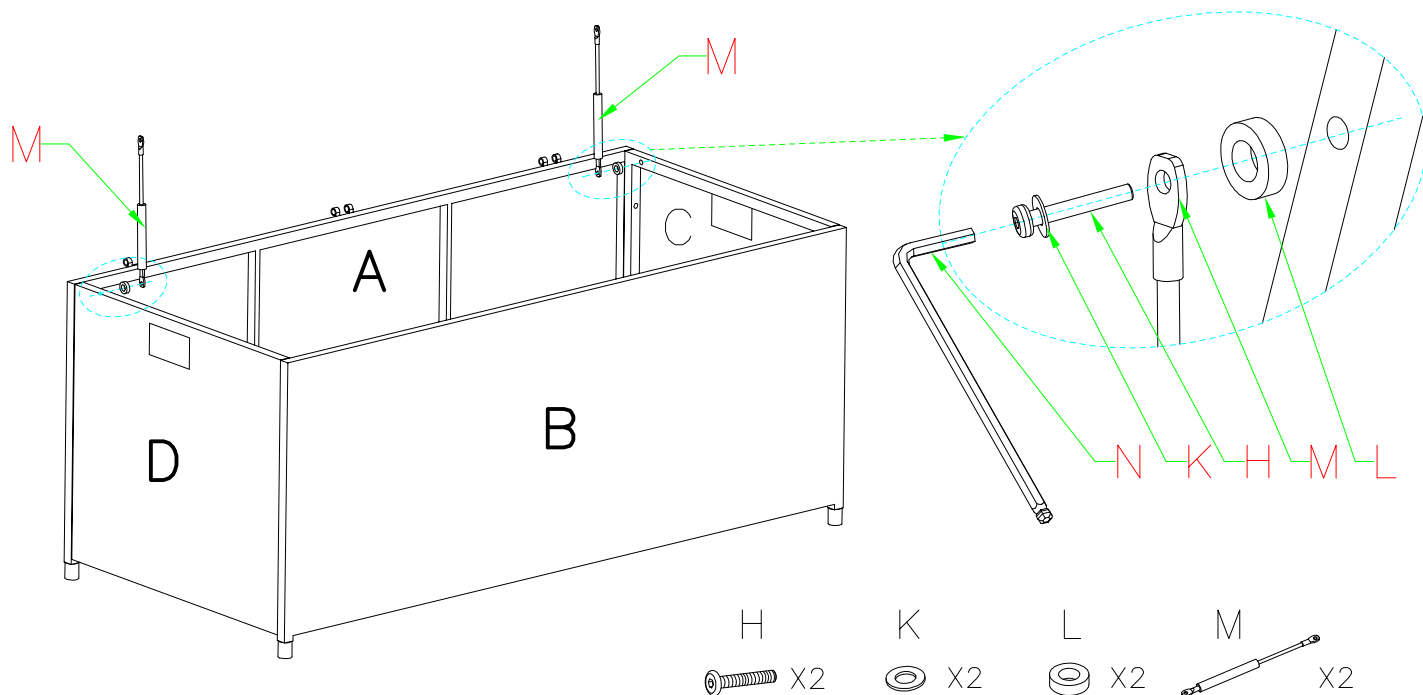
Step 2. Attach Bottom Panel (E) to Left Panel (C), Right Panel (D) and Front Panel (B) using a Long Bolt (I) and Flat Washer (K).



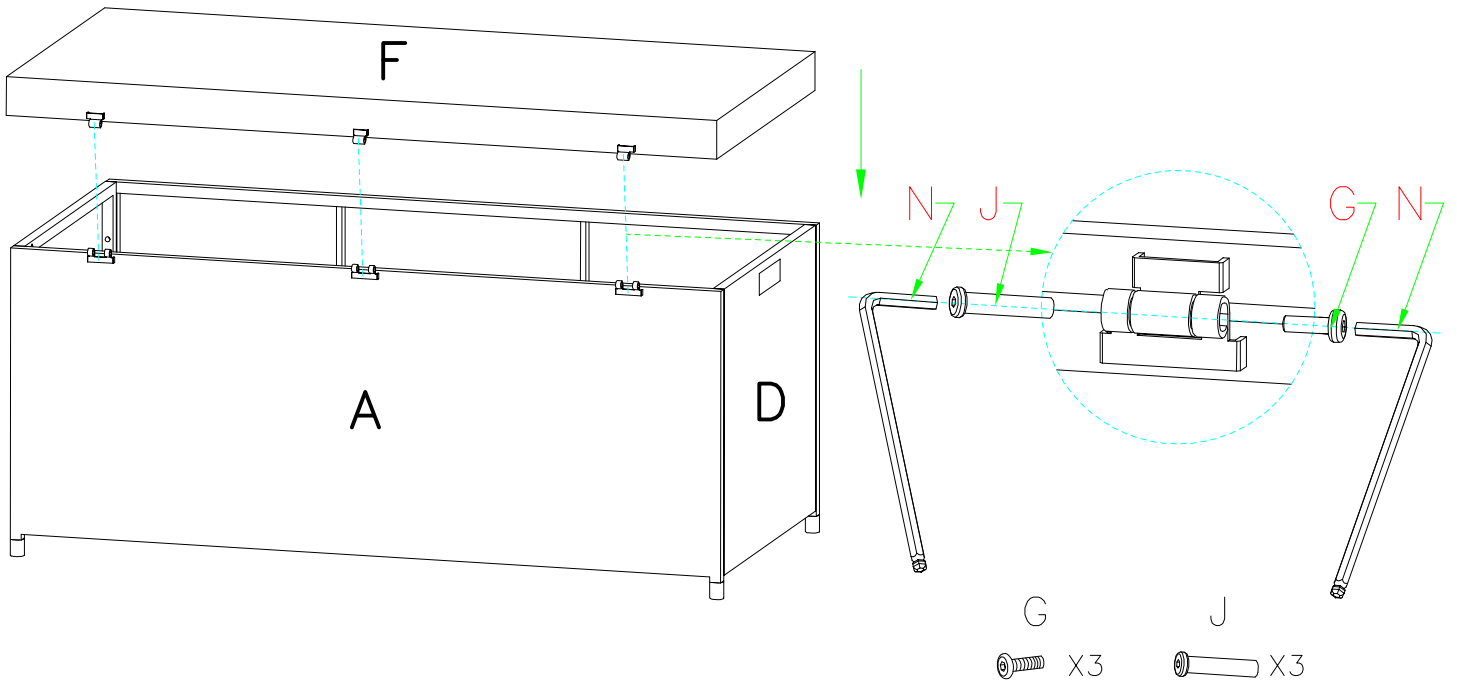
Step 3. Attach Back Panel (A) to Right Panel (D), Left Panel (C) and Bottom Panel (E) using a Long Bolt (I) and Flat Washer (K).



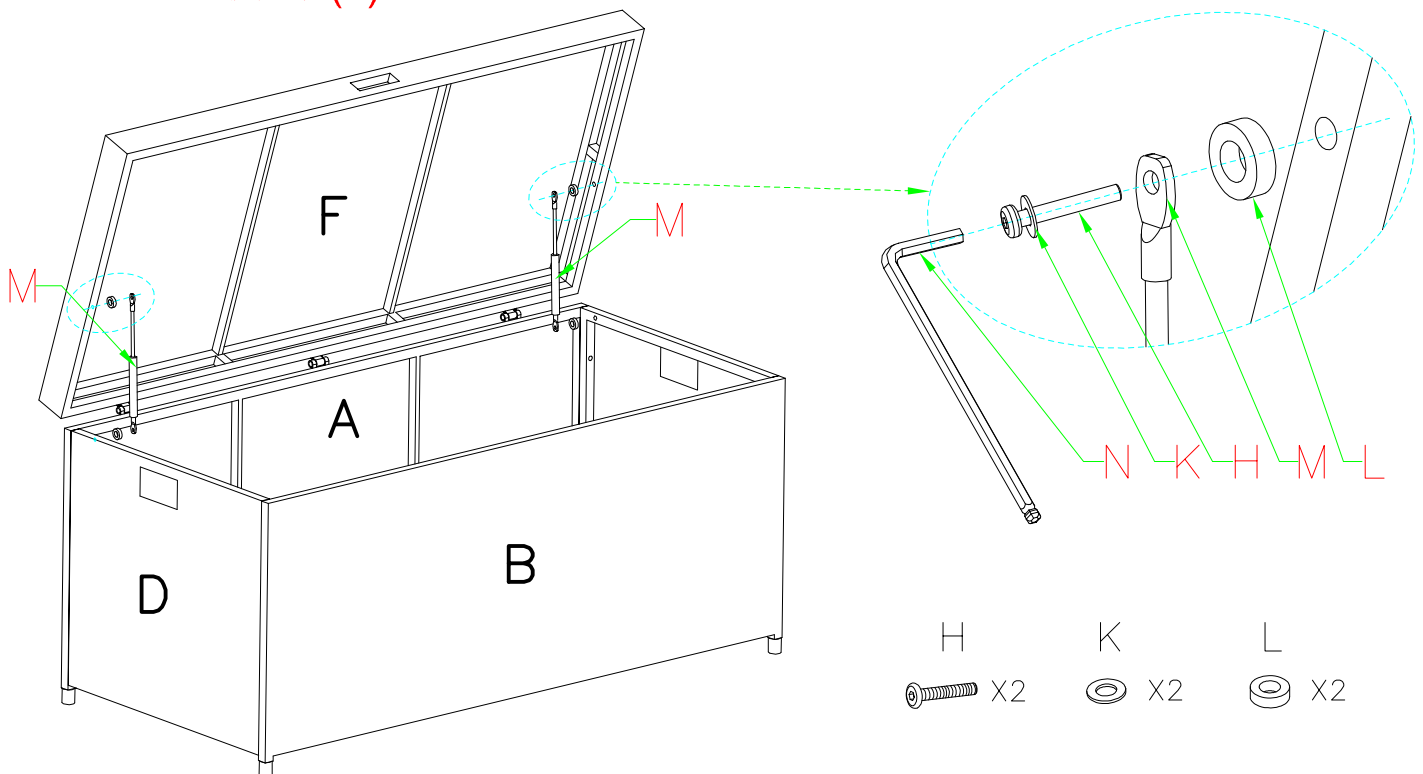
Step 4. Carefully turn over the box so that the legs are on floor. Attach Hinge Support (M) to Left Panel (D) and Right Panel (C) using a Mid Bolt (H), Flat Washer (K) and Plastic Washer (L).



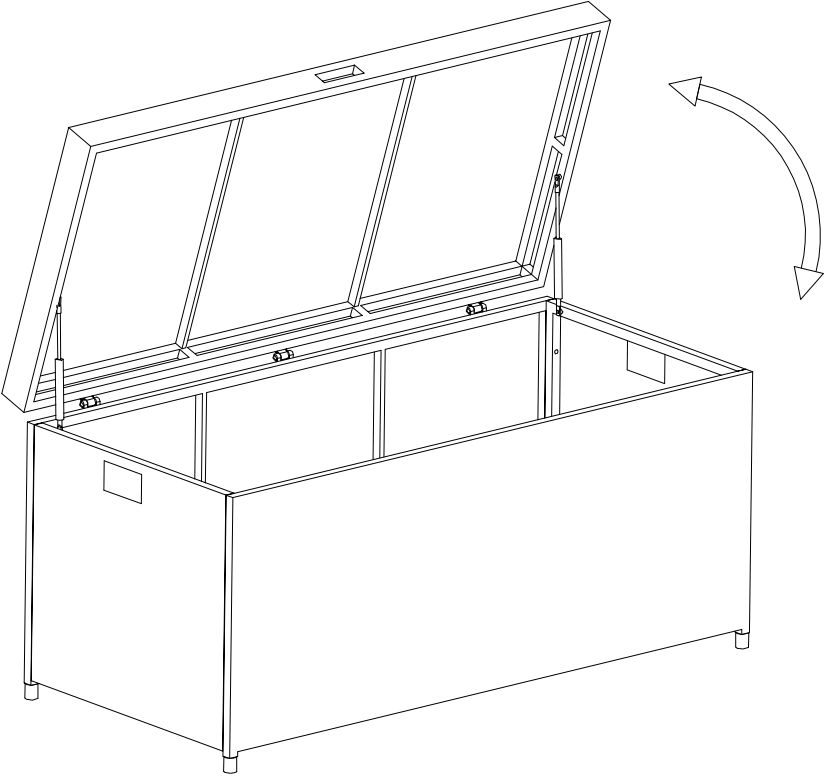
Step 5. Attach Top Panel (F) to the Back Panel (A) using a Inner Thread Bolt (J), Short Bolt (G) and Alley Keys (N)



Step 6. Open Top Panel (F) and then attach Hinge Support (M) to Top Panel (F) using a Mid Bolt (H), Flat Washer (K) and Plastic Washer (L).



Step 7. Top Panel (F) can be opened and closed.



Limited Manufacturers Warranty

Our products are warranted against defects in material and workmanship for a period of 90 days beginning from the date of sale. Should any parts be missing or defective, we will replace or repair the parts for a period of 90 days from the date of purchase.

Should you experience any missing or damaged parts, do not return to the store. Please contact us directly

This warranty gives the purchaser specified legal rights in addition to any rights which may vary from state to state.