

COMPUTER DESK

ASSEMBLY INSTRUCTION

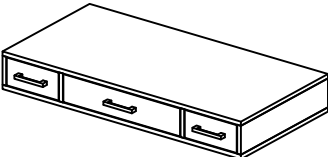
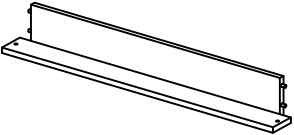
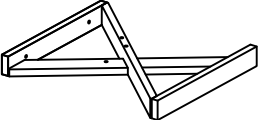
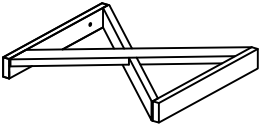


Assembly Instruction



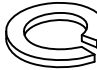


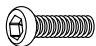



ASSEMBLY TIPS:
1.Remove hardware from box and sort by size.
2.Please check to see that all hardware and parts are present prior to start of assembly.
3.Please follow attached instructions in the same sequence as numbered to assure fast & easy assembly.

⚠ Warning!
1.Don't attempt to repair or modify parts that are broken or defective.Please contact the store immediately.
2.This product is for home use only and not intended for commercial establishment.

PARTS IDENTIFICATION

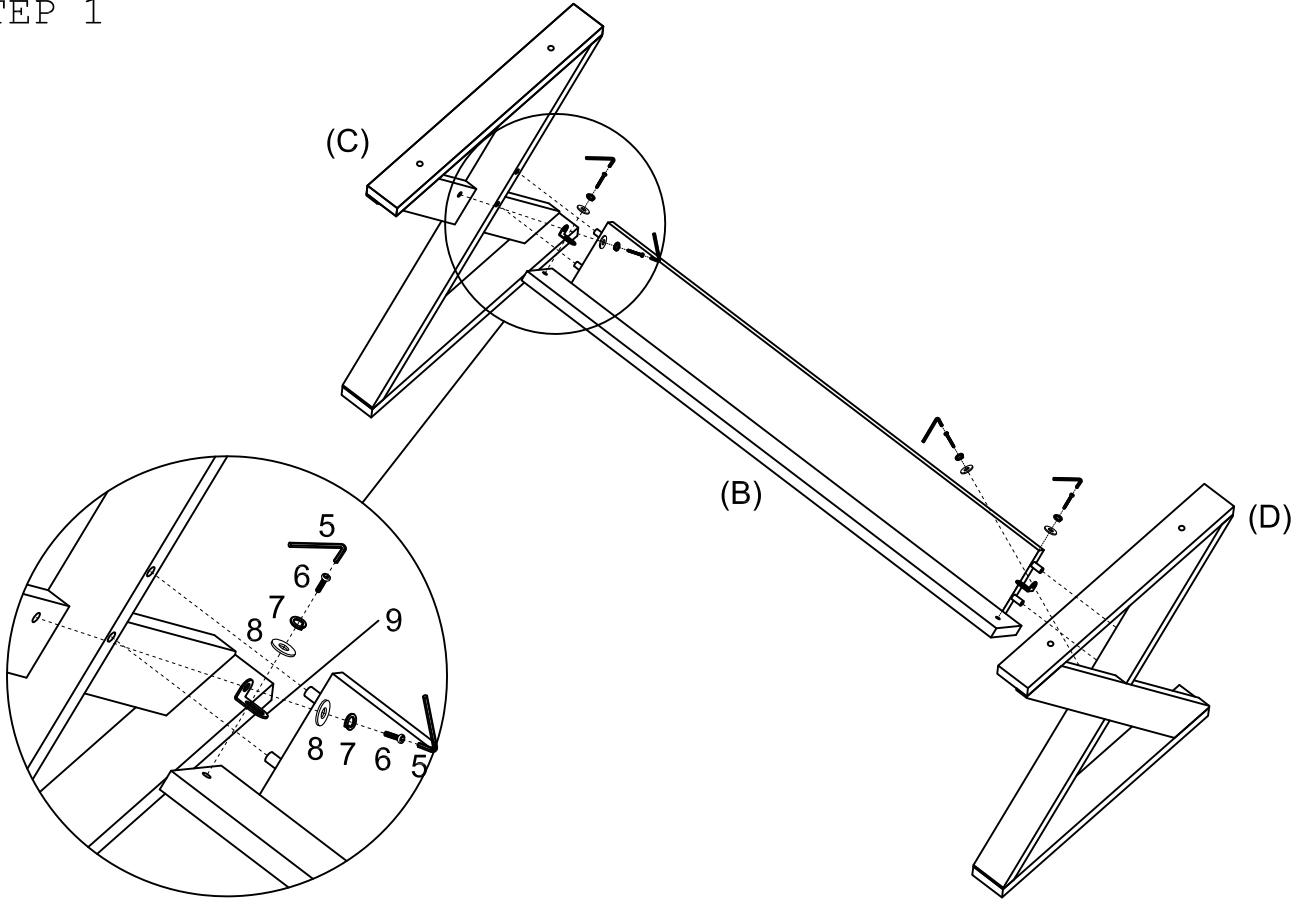
(A)		STORAGE UNIT	1PC
(B)		SHELF	1PC
(CL)		LEFT LEG	1PC
(CR)		RIGHT LEG	1PC

ASSEMBLY INSTRUCTION

Z	HARDWARE IDENTIFICATION		
1	ALLEN WRENCH M5mm		1PC
2	BOLT Ø5/16"x1-3/4"		4PCS
3	LOCK WASHER Ø5/16"		4PCS
4	FLAT WASHER Ø5/16"x22mm		4PCS
5	ALLEN WRENCH M4mm		1PC
6	BOLT Ø1/4"x5/8"		4PCS
7	LOCK WASHER Ø1/4"		4PCS
8	FLAT WASHER Ø1/4"x16mm		4PCS
9			2PCS

ASSEMBLY INSTRUCTION

STEP 1



STEP 2

