



INSTRUCTION MANUAL

Outdoor Fire Pit Table

Loosely assemble before tightening.

IF YOU PURCHASED THE SOFA ONLINE AND HAVE ANY
QUESTIONS OR CONCERNS

Lost accessories or parts costs will be incurred after 90 days of the date of purchase.

WARNING:

The table is not to be used for standing purposes and will not function as a stool or step-ladder. Use on even surfaces only. Table tested for use at weight of 70lb (31kg). Improper use of this product or failure to use as directed may result in injury. Not intended for commercial use.

IMPORTANT:

Please read all the instructions and warnings before assembling. In order to make the whole product adjust to the best, please install all the screws on the product before fully tighten, and note to put the washer to the screw before putting the screw into the screw hole.

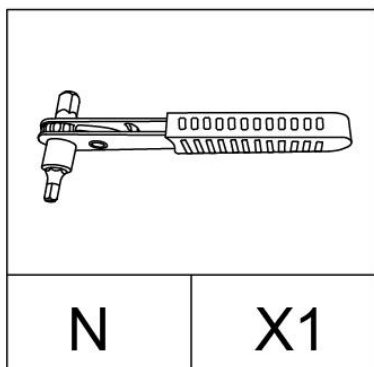
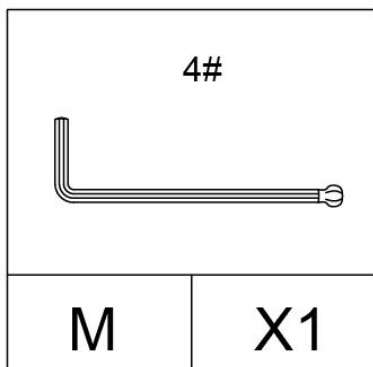
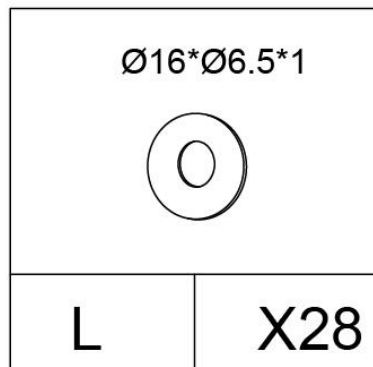
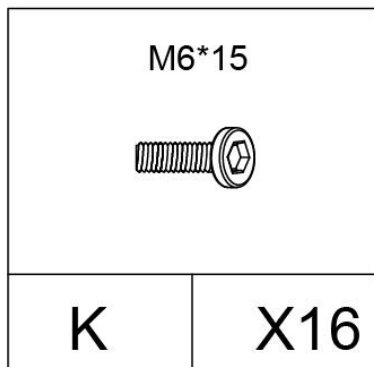
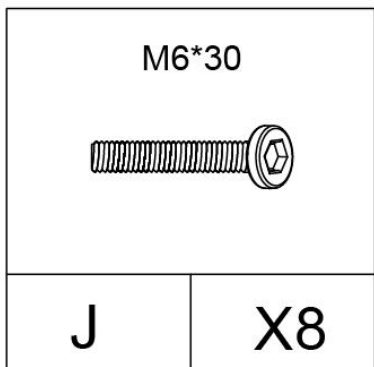
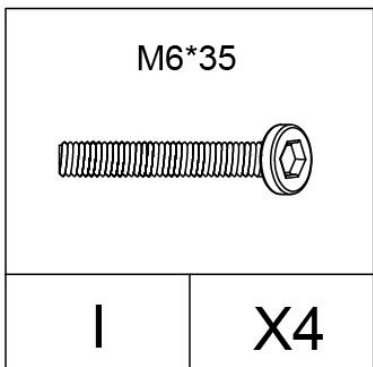
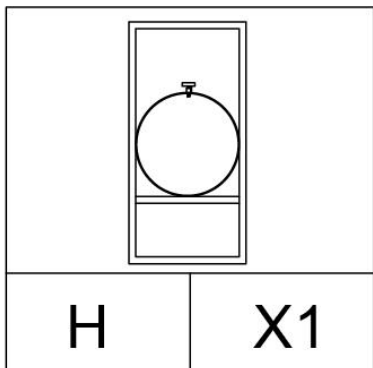
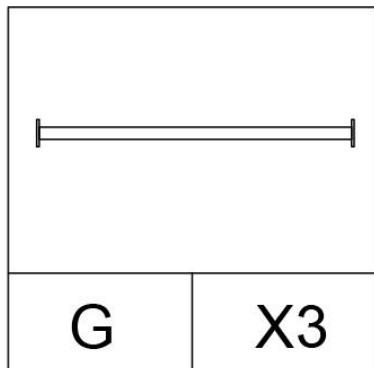
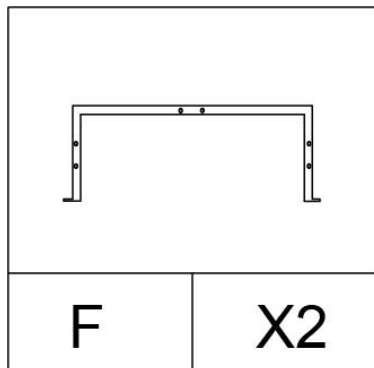
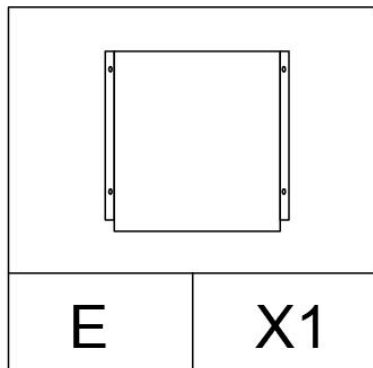
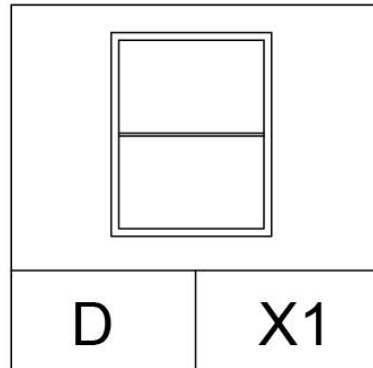
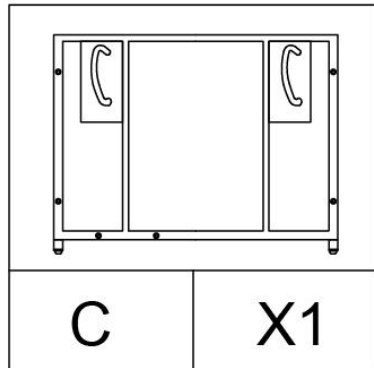
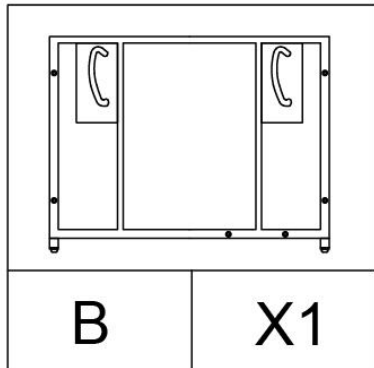
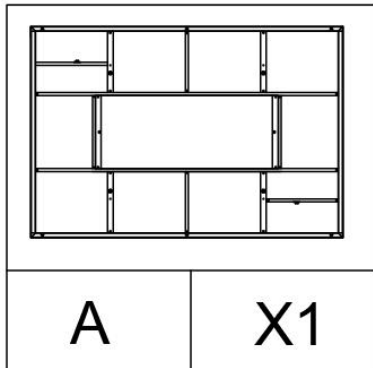
SAFETY INFORMATION:

- Keep all children and pets away from assembly area. Children and pets should be supervised when they are in the area of the product construction.
- Keep assembly area at least 6 feet from any obstruction such as a fence, garage, house, overhanging branches, laundry line or electrical wires.
- Some parts may contain sharp edges. When assembling and using this product, basic safety precautions should always be followed to reduce the risk of personal injury and damage to the product. Please read all instructions before assembly and use.
- Check all bolts for tightness before use. IMPORTANT - check and tighten bolts often to keep them secure!
- The table is not to be used for standing purposes and will not function as a stool or step-ladder. Use on even surfaces only.
- The table use at weight of 600lb (270kg) per seat. Improper use of this product or failure to use as directed may result in injury. Not intended for commercial use.

CARE & MAINTENANCE :

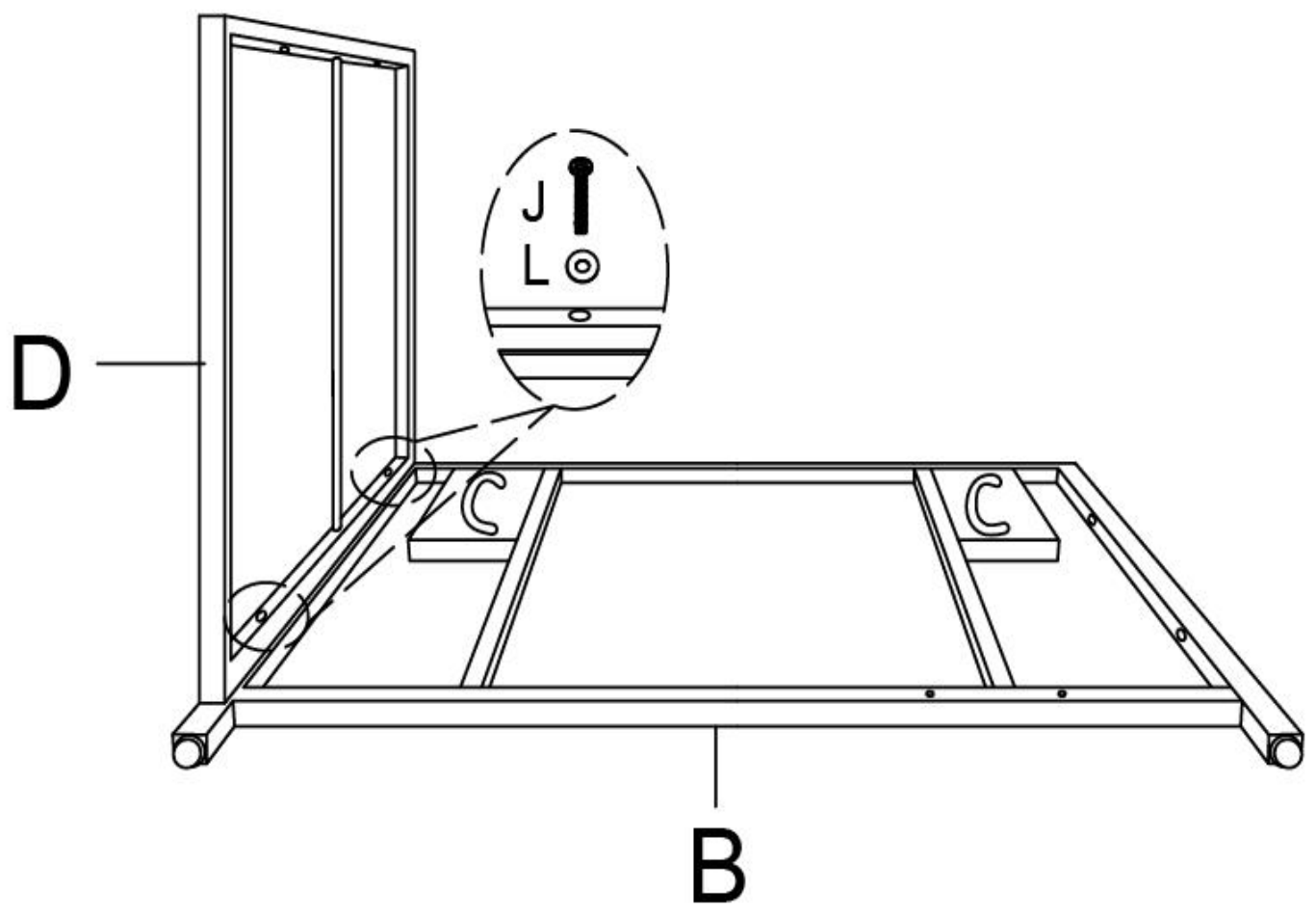
- STAINRESISTANT CUSHIONS CARE :KEEP THE CUSHIONS IN STORAGE IN RAINING DAY.
- SPILLS: Immediately wipe up the spill using a white damp cloth. Repeat process if necessary until stain is gone. Allow cushion to air dry.
- FABRIC CARE: Hand wash cold, non-chlorine bleach when needed, lay flat to dry. Cool iron if necessary. Do not dry clean.
- RESIN WICKER PRODUCT CARE: Before using, clean the product completely with a soft dry towel. When not in use, wipe free of any dirt or loose objects, wash with a mild solution of soap and water, rinse thoroughly and dry completely. Do not use strong detergent or abrasive cleaners. Over time nuts and bolts can loosen. Occasionally, check nuts and bolts on all chairs and tables, re-tighten if necessary.
- Warranty period: 180 days.


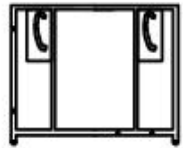


Assembly Instructions



1. Attach B&D to each other with 2 washers (L), and 2 screws (J) by using allen wrench (M/N). Do not tighten all screws now.

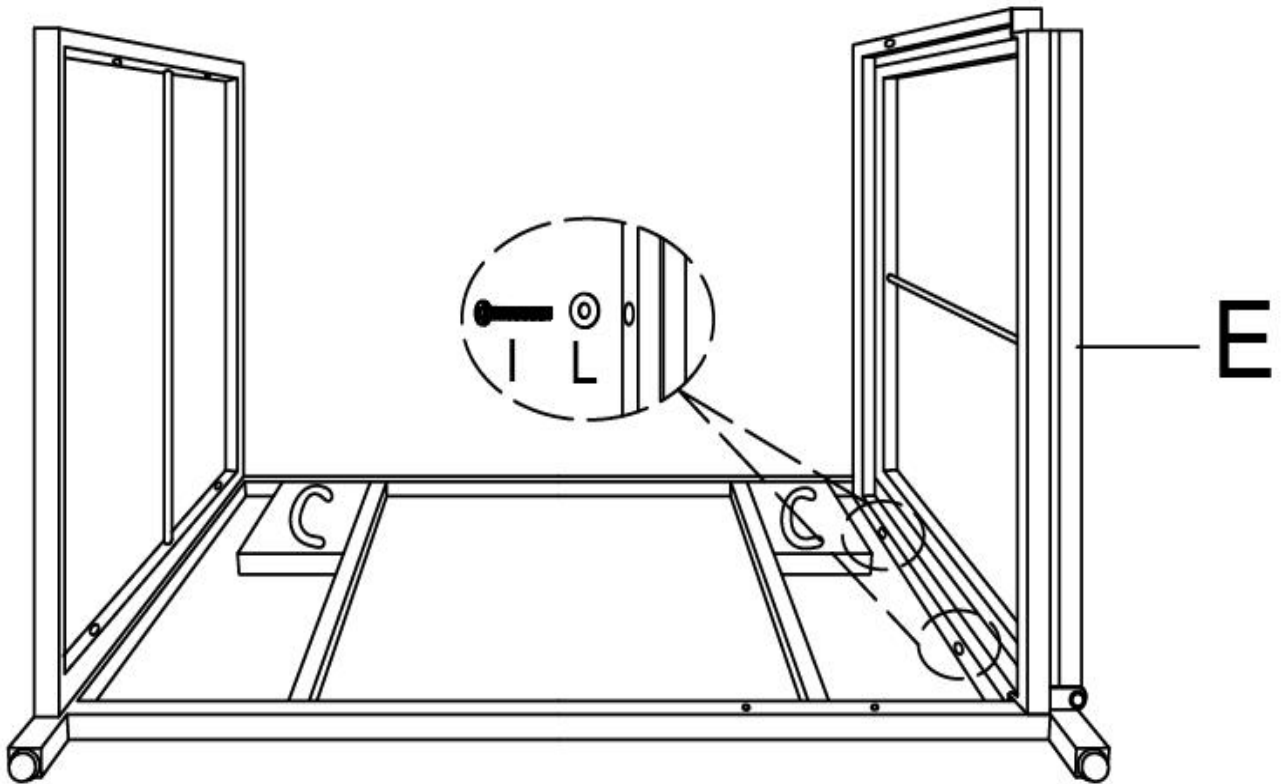
1



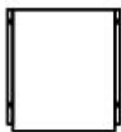
<p>D X1</p> 	<p>B X1</p> 	<p>J</p> 	<p>M6*30</p>	<p>2</p>
		<p>L</p> 	<p>Ø16*Ø6.5*1</p>	<p>2</p>

2. Secure E to assembled B&C with 2 washers (L) and 2 screws (I) by using allen wrench (M/N). Do not tighten all screws now.

2



E X1



I



M6*35

2

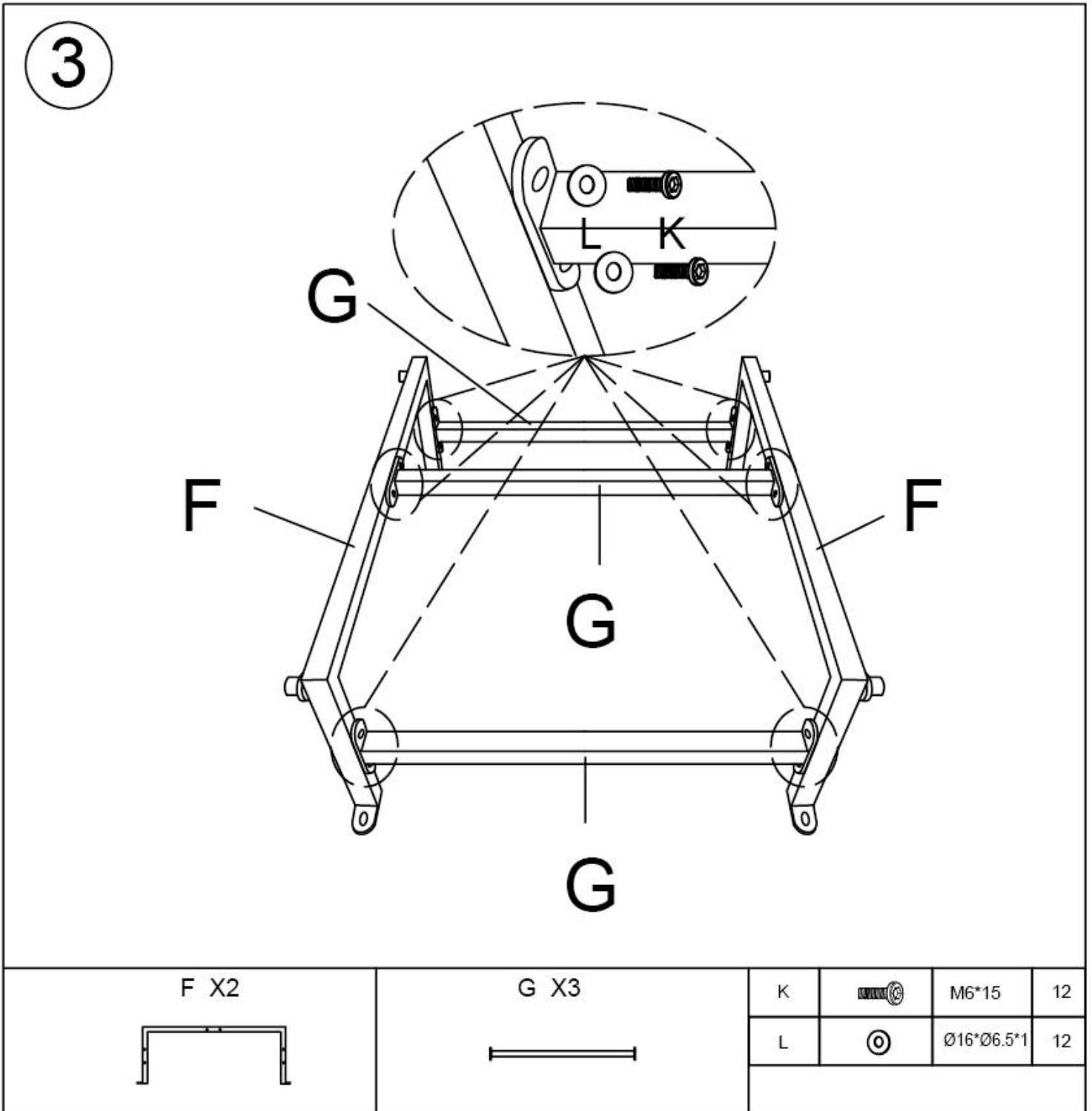
L



Ø16*Ø6.5*1

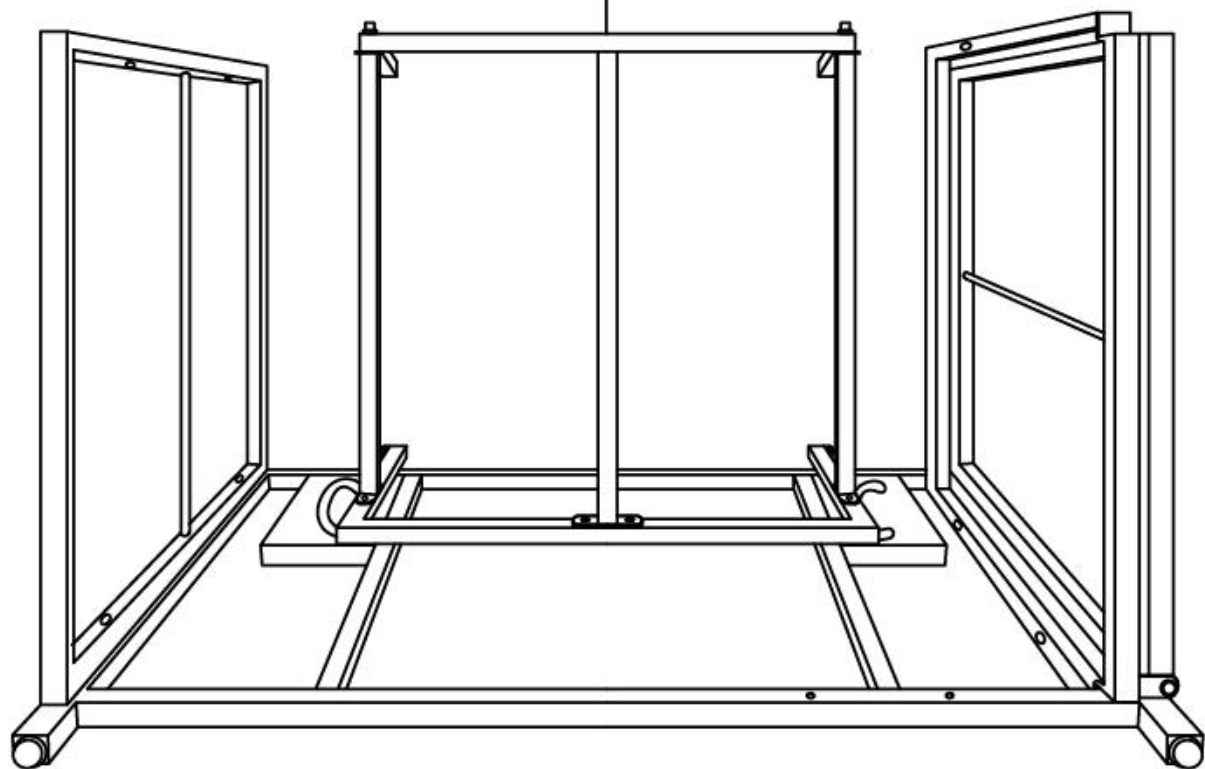
2

3. Attach G&F to each other with 12 washers (L), and 12 screws (K) by using allen wrench (M/N). Do not tighten all screws now.



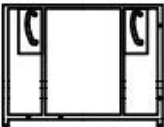



4

G



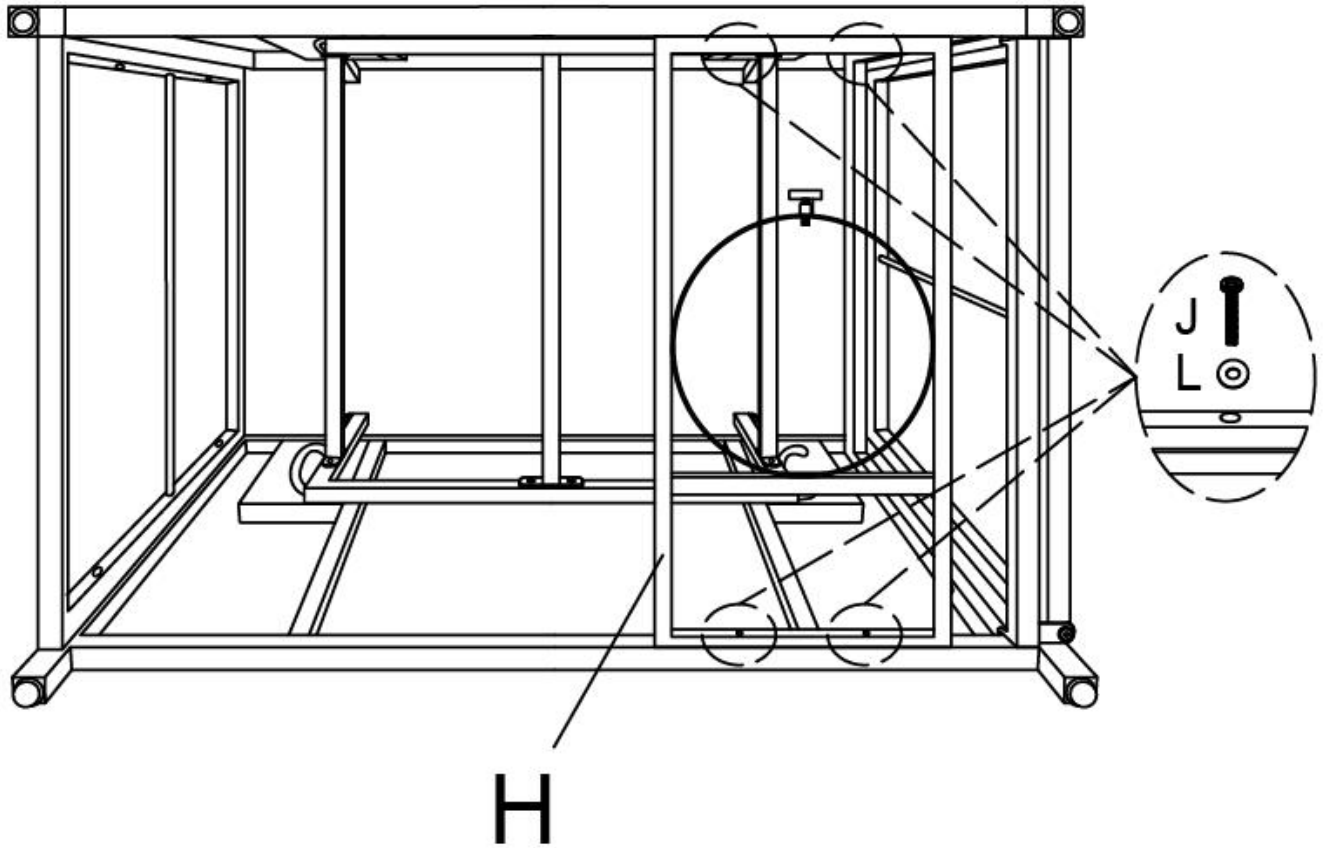
4. Secure C to assembled G and assembled E with 4 washers (L), 2 screws (J) and 2 screws (I) by using allen wrench (M/N). Do not tighten all screws now.

5

C X1 		I		M6*35	2
		J		M6*30	2
		L		Ø16*Ø6.5*1	4

5. Secure H to assembled B with 4 washers (L), 4 screws (J) by using allen wrench (M/N). Do not tighten all screws now.

6



H X1



J



M6*30

4

L

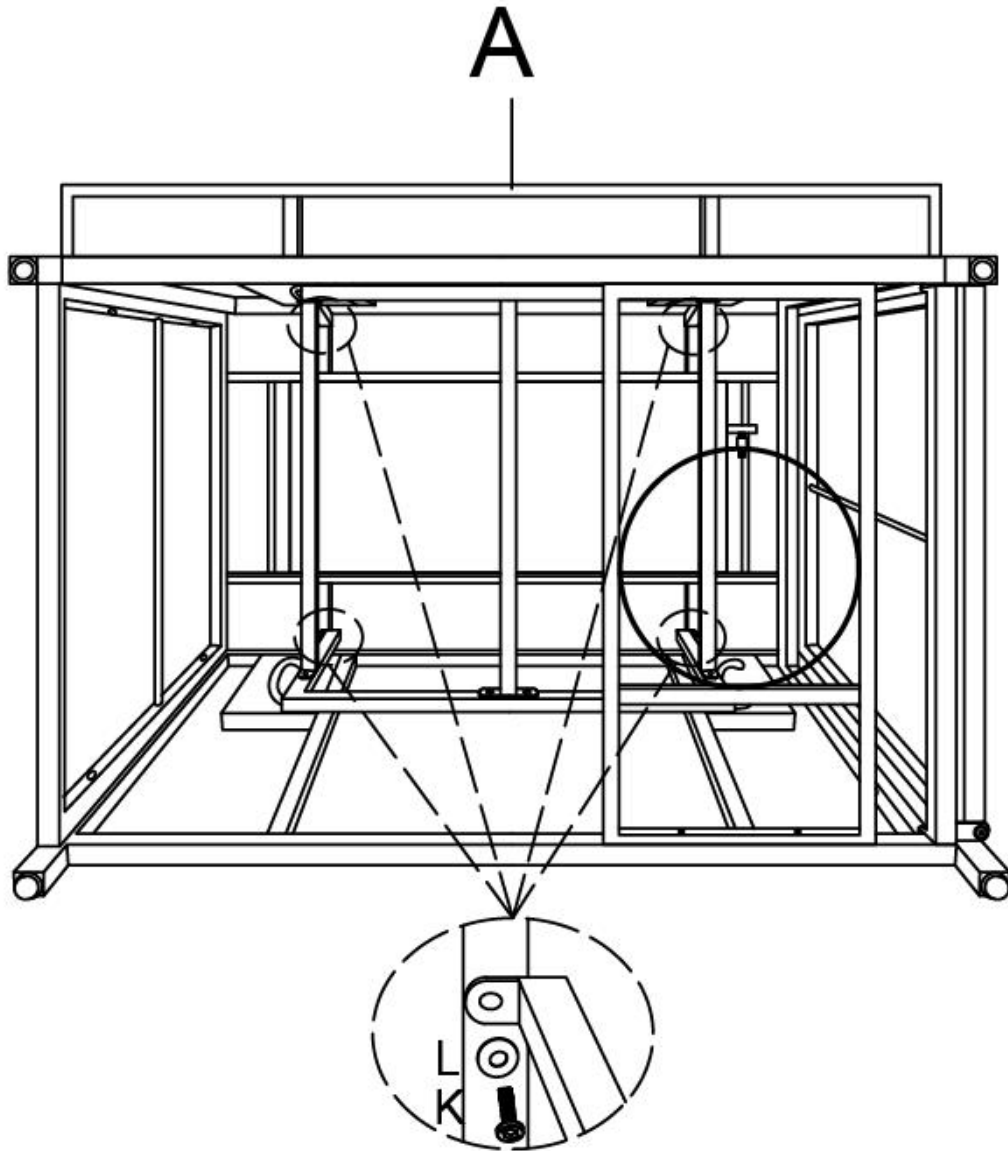


Ø16*Ø6.5*1

4



6. Secure A to above assembled parts with 4 washers (L) and 4 screws (K) by using allen wrench (N/M). **fully tighten all screws now.**

7

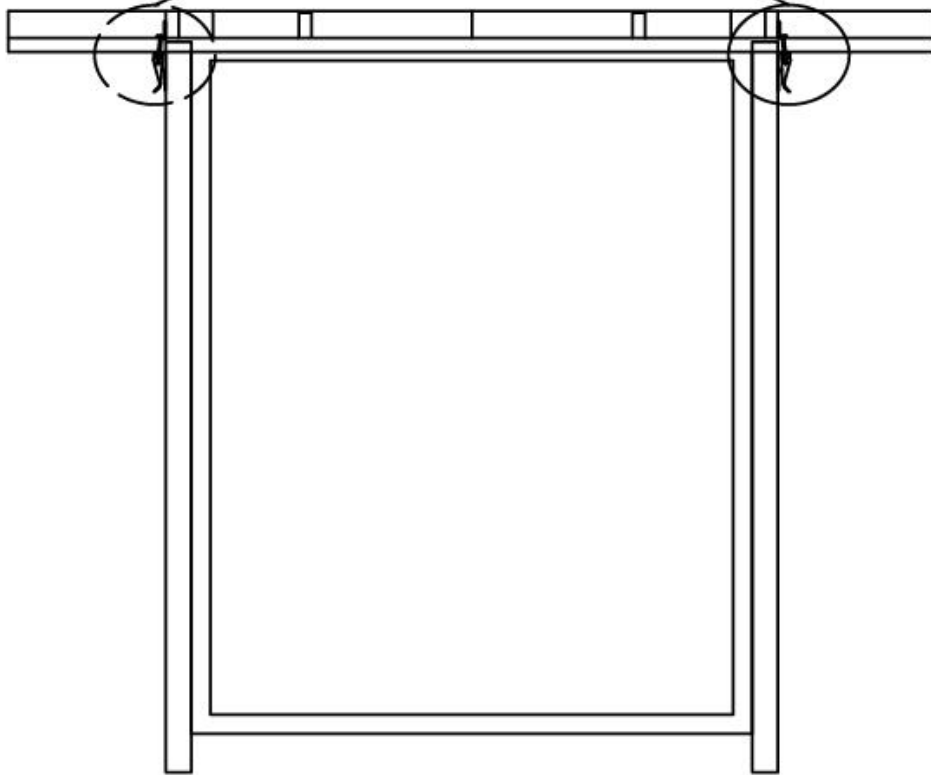
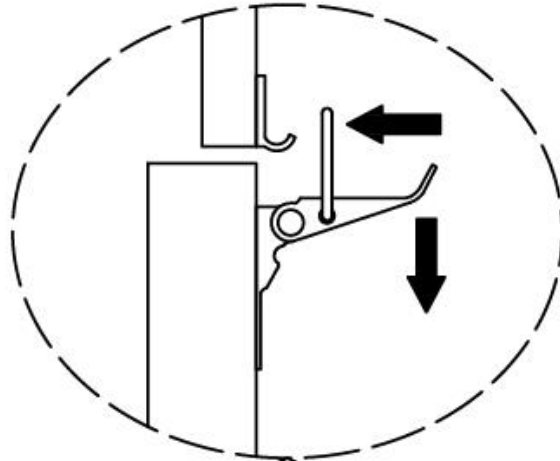


A X1



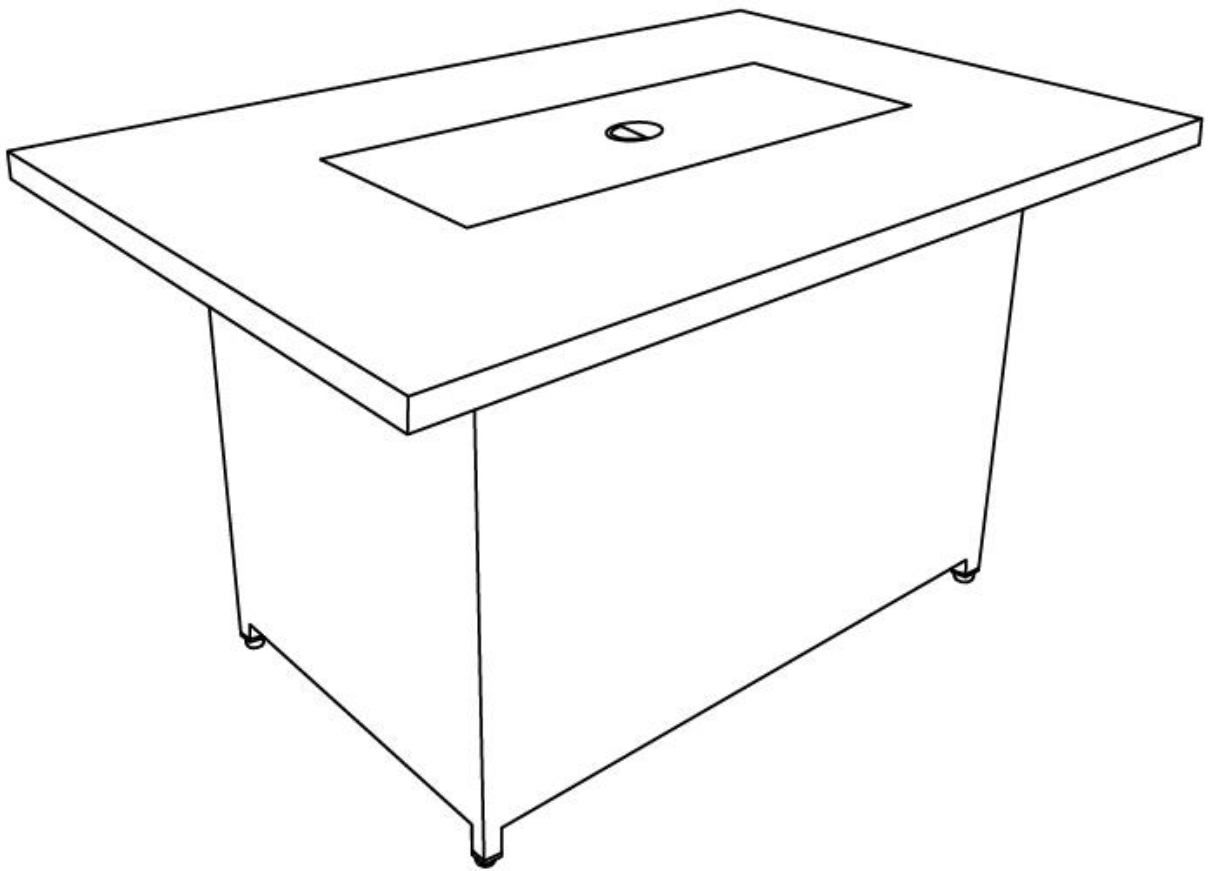
K		M6*15	4
L		Ø16*Ø6.5*1	4

8



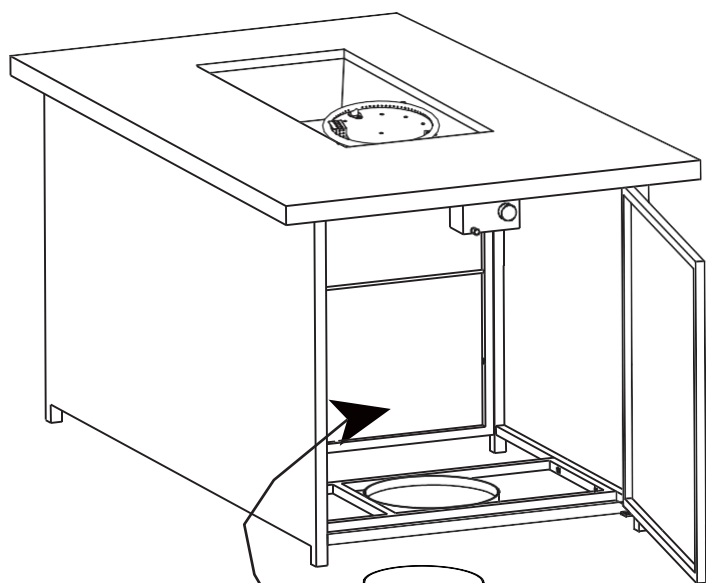
7. Table is ready to use now.

9



Place the gas cylinder into the cylinder holder (figure 1), secure the cylinder by tightening clockwise the bolt (figure 2) found on the cylinder holder, so the cylinder cannot move from side to side or fall down.

The knob on the control panel is turned all the way to the "OFF" position (figure 3) when the fire pit is not in use.



Black handle

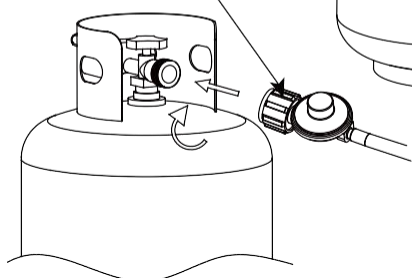


Figure 1

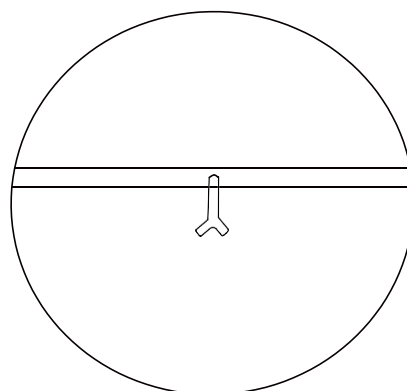


Figure 2

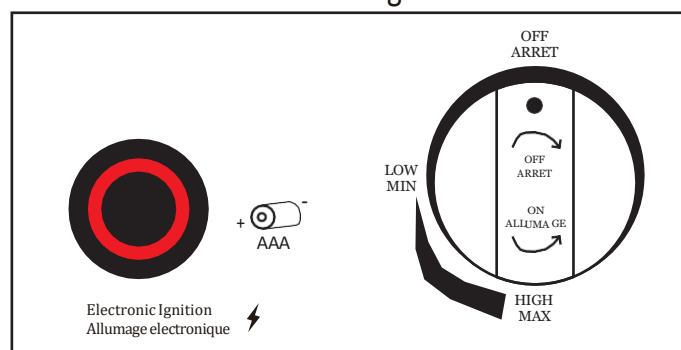


Figure 3

BATTERY

Make sure the control knob is in the “OFF” position. Unscrew the push button cap on the ignitor module located on the control panel to access the battery compartment. The ignitor module requires one +AAA size battery.

BATTERY IS NOT INCLUDED. (See Figure 4).

WARNING:

- Please observe proper polarity and use the correct battery type when placing or replacing the battery. Improper installation could result in ignition failure.
- Please remove the battery if consumed or if product is to be left unused for a long period of time.

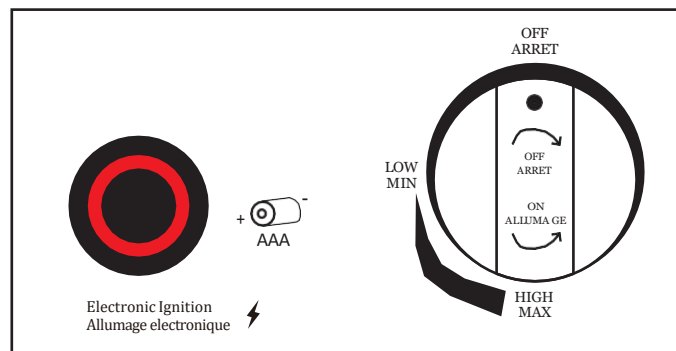
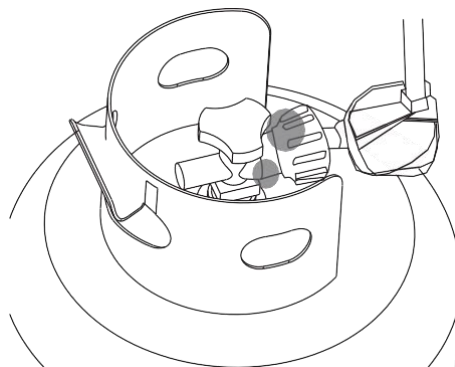


Figure 4

LEAK TEST

To prevent fire or explosion hazard when testing for a leak:

1. Always perform the leak test as described below before lighting this appliance or each time the cylinder is connected for use.
2. Do not smoke or allow other sources of ignition in the area while conducting a leak test.
3. Conduct the leak test outdoors in a well-ventilated area.
4. Do not use matches, lighters or a flame to check for leaks.
5. Do not use this appliance until any and all leaks are corrected. If you are unable to stop a leak, disconnect the propane supply. Call a gas appliance service shop or your local propane gas supplier.



cylinder-regulator connection (Figure 5)

To perform a leak test:

1. Make 2~3 oz. of leak solution by mixing one part liquid dish washing detergent and three parts water. Noted: make sure control knob is "OFF".
2. Apply several drops of solution where the cylinder attaches to regulator (See Figure 5), inspect the solution at the connection looking for bubbles. If NO bubbles appear, the connection is secure. If bubbles appear, the connection has the leak, disconnect the regulator, reconnect, perform another leak check. If you continue to see bubbles after several attempts, cylinder valve is defective and should be returned to cylinder's supplier.

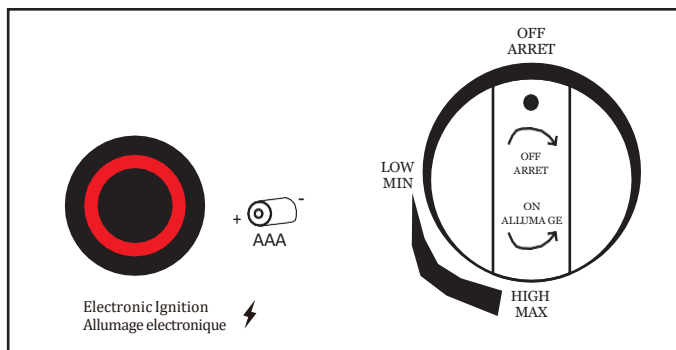
LIGHTING INSTRUCTIONS

1. Push in gas control knob slightly and turn to "OFF".
2. Turn gas control knob the "ON/HI".
3. Push in gas control knob all the way and hold. Continue to press the ignition button for 15 seconds.
4. If the burner does not light in 15 seconds, release the knob and it will pop back out. Wait 5 minutes before attempting to light the burner again, repeat step 1 to 3.

TO TURN OFF GAS

1. Push in gas control knob slightly and turn to "OFF".

WARNING: For your safety, read and follow the Lighting Instructions in this manual and in the Rating Plate on the appliance. IMPROPER LIGHTING PROCEDURES COULD RESULT IN A FIRE HAZARD OR EXPLOSION HAZARD OR PROPERTY DAMAGE, INJURY OR LOSS OF LIFE.

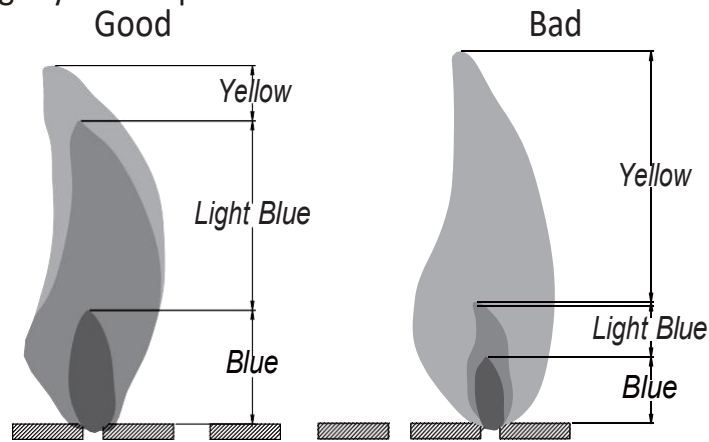


LIGHTING INSTRUCTIONS:

1. Read instructions before lighting;
2. Push and turn the knob to LOW;
3. Hold ignitor to light the burner, release control knob after 15 seconds; if burner does not light, wait 5 minutes, repeat;
4. Adjust flame to desired flame with the control knob.

Figure 6

Observe Flame Height When Lit: The burner will display blue and yellow flames. These flames should be a blue / yellow color between 1~2 in. height (See below). These flames should not be yellow or produce thick smoke. This would indicate an obstruction of airflow through the burners. The flames should be blue with straight yellow tops.

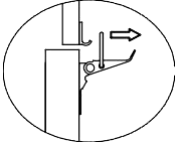


CARE AND MAINTENANCE

To enjoy the outstanding performance from your fire pit, make sure you perform the following activities on a regular basis:

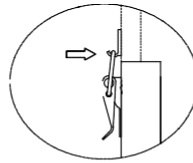
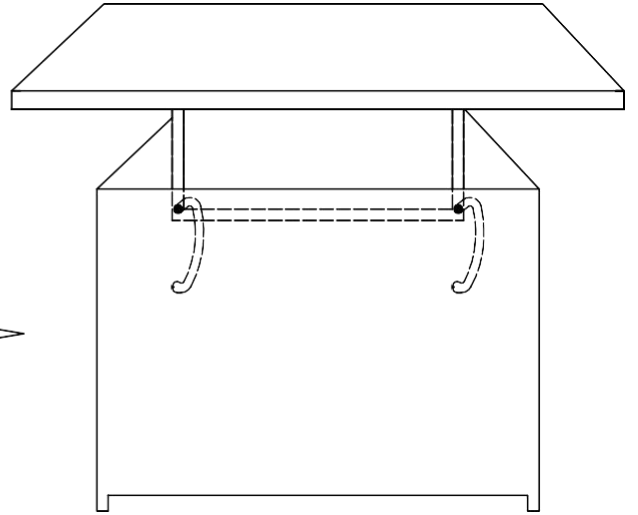
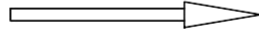
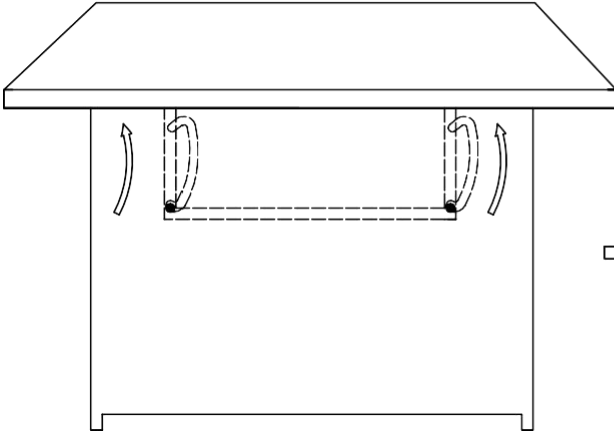
1. Use warm soapy water for cleaning. Never use flammable or corrosive cleaning agents.
2. While cleaning the fire pit, make sure to keep the area around the burner dry at all times. DO NOT submerge the control valve assembly. If the gas control is submerged in water, DO NOT use it. It must be replaced.
3. Air flow must be unobstructed. Keep controls, burner, and circulating air passageways clean. Signs of possible blockage include:
 - (1). Gas odor with extreme yellow tipping of flame.
 - (2). Fire pit does NOT reach the desired temperature.
 - (3). Fire pit flame is excessively uneven.
 - (4). Fire pit makes popping noises.
 - (5). Spiders and insects can nest in burner or orifice. This dangerous condition can damage fire pit and render it unsafe for use. Clean burner holes by using a heavy-duty pipe clearer. Compressed air may help clear away small particles.
4. Carbon deposits may create a fire hazard. Clean burner with warm soapy water if any carbon deposits develop.
5. Cover your fire pit with an outdoor weather cover when not in use to protect it from the elements.

NOTE: Always allow fire pit to cool COMPLETELY before you cover the fire pit with an outdoor weather cover or you attempt the service or maintenance.



Lifting instruction :

- 1、 Release the safety buckle;
- 2、 lift desktop slowly to the top of the chute following the below arrow.



Descent instruction :

- 1、 Pull down desktop slowly to the bottom of the chute following the below arrow ;
- 2、 Fasten the safety buckle.

