

Assembly Instructions

Caution: You must read this before you proceed

Care & Maintenance



- Not for commercial use. For residential use only.



- Do not put hot items directly on furniture surface.



- Do not clean furniture with harsh cleansers or polish.



- To obtain the longest lifespan of your outdoor products, minimizing exposure to direct sunlight is recommended.



- Children should not climb or jump on the furniture.



- Do not write on furniture without a padded barrier to protect the surface.



- To obtain the longest lifespan of your outdoor products, avoid extended and lengthy exposure to rain, snow, and direct sunshine. Whenever possible cover the product and /or place under patio or awnings.



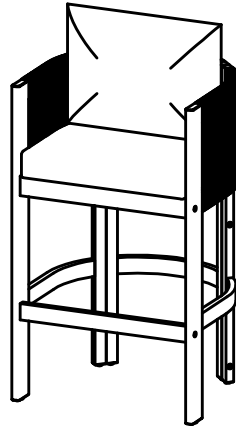
- Stains may be removed with mild soap solution and damp cloth.



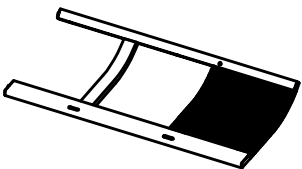
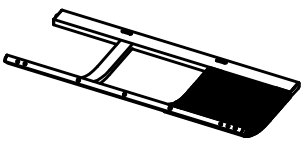
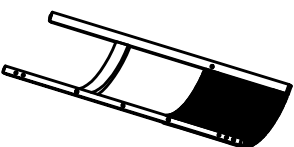
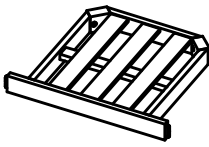
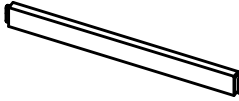
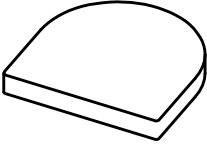
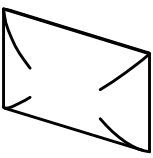
- Dust and pick-up spills using a clean, non-colored, lint-free cloth.

**Please look in boxes for hardware packs and legs.
Sets often ship in multiple boxes and may arrive a day or two apart.**



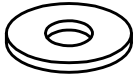
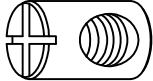


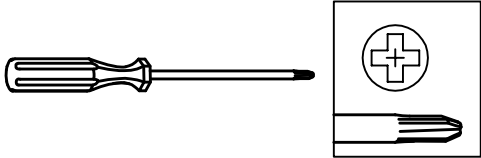
BARSTOOL



PART LIST

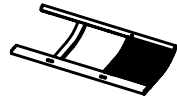
Label	Picture	Description	QTY
(A)		RIGHT CHAIR FRAME	1
(B)		LEFT CHAIR FRAME	1
(C)		BACK CHAIR FRAME	1
(D)		SEAT FRAME FRAME	1
(E)		FRONT SUPPORT BAR	1
(F)		SEAT CUSHION	1
(G)		BACK CUSHION	1

HARDWARE LIST

Label	Picture	Description	QTY
①		<p style="text-align: center;">BOLT (M6 x 50 mm)</p>	14
②		<p style="text-align: center;">SPRING WASHER (Ø6 x 11 mm)</p>	14
③		<p style="text-align: center;">FLAT WASHER (Ø6 x 13 mm)</p>	14
④		<p style="text-align: center;">EMBED-NUT (M6 x 13 mm)</p>	4
⑤		<p style="text-align: center;">DOWEL (Ø8 x 30 mm)</p>	4
⑥		<p style="text-align: center;">ALLEN WRENCH (6 x 60 mm)</p>	1
⑦		<p style="text-align: center;">SCREWDRIVER (Not included)</p>	

ASSEMBLY PREPARATION

Before Beginning Assembly:



Ⓐ x 1



Ⓑ x 1



Ⓒ x 1



Ⓓ x 1



Ⓔ x 1



Ⓕ x 1



Ⓖ x 1



① x 14



② x 14



③ x 14



④ x 1



⑤ x 4



⑥ x 1



- Read instructions, cover to cover-



- Have 2 adults on hand for assembly-



- Do not assemble on flooring or carpet-



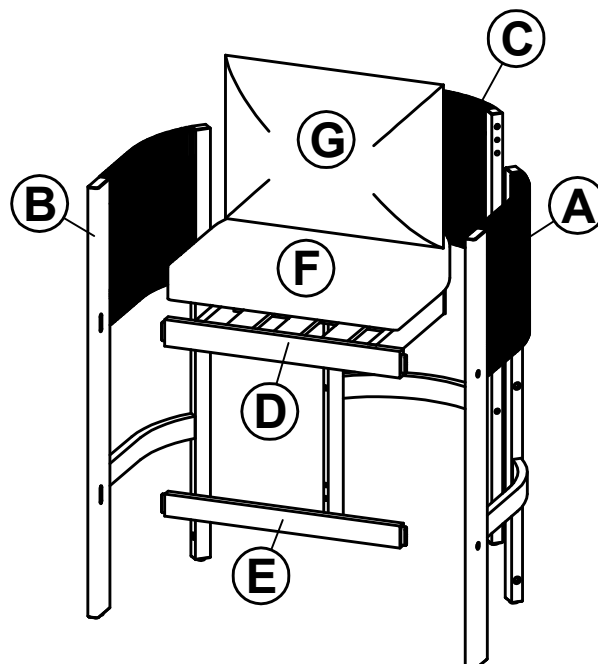
- Assemble on a clean non-marring surface (packing foam)-



- Save all packaging until finished-

ASSEMBLY STEPS

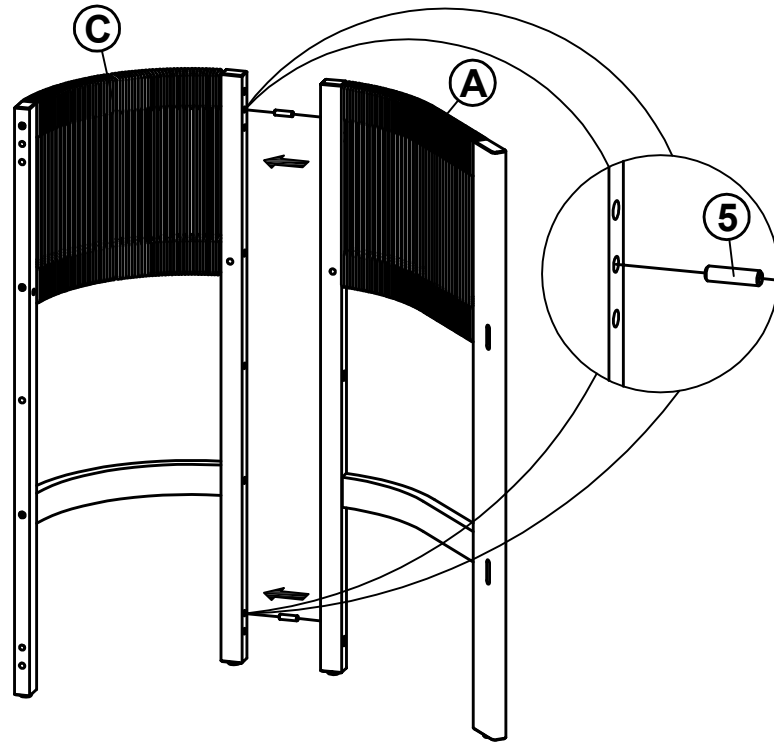
Overview



This Barstool has multiple parts and may require up to 30 minutes to assemble. To give you an overview of the Barstool parts, the above picture is to help you put the various parts into perspective. Please read through the instructions below to familiarise yourself with the parts and steps before assembly.

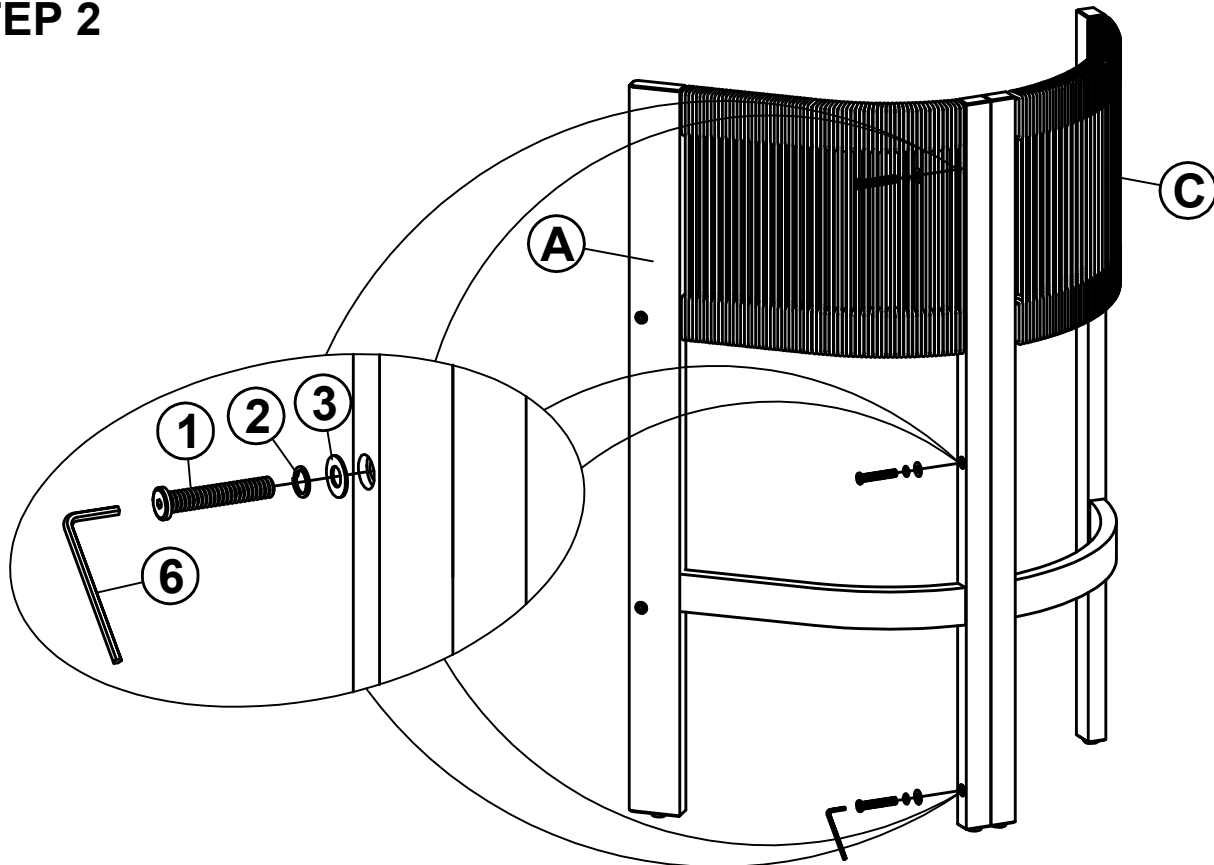
STEP 1

DO NOT fully tighten a BOLT in one go and then move on to the next. Rather, In a sequential manner, gradually tighten each Bolt until all bolts are evenly secured. This methodology will ensure maximum evenness once all Bolts are fully tightened.



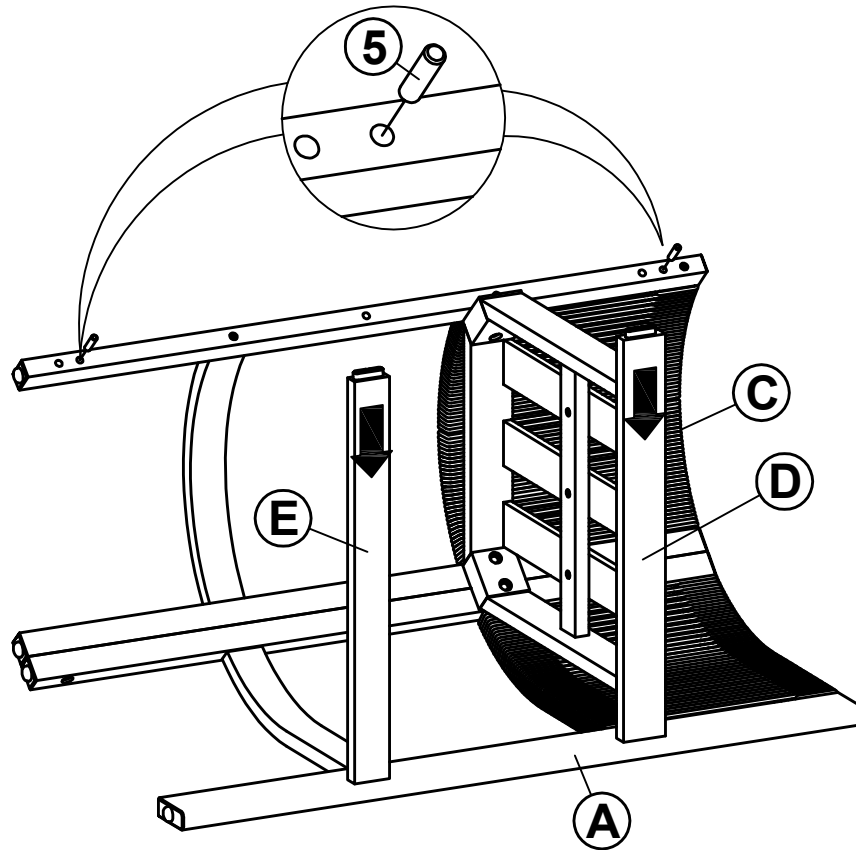
Insert the Right chair frame (A) into the Back chair frame (C) using Wooden dowel (5) as shown in above picture.

STEP 2



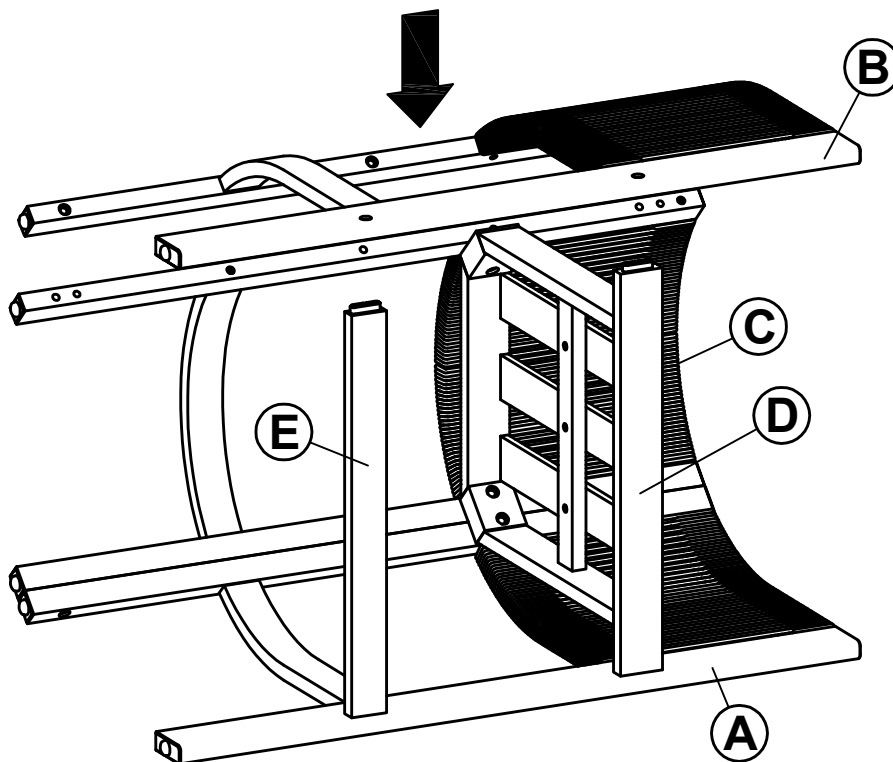
Attach Right chair frame (A) to the Back chair frame (C) using Bolt(1) and Spring washer (2) and Flat washer (3) with Allen Wrench (6) as shown in above picture.

STEP 3



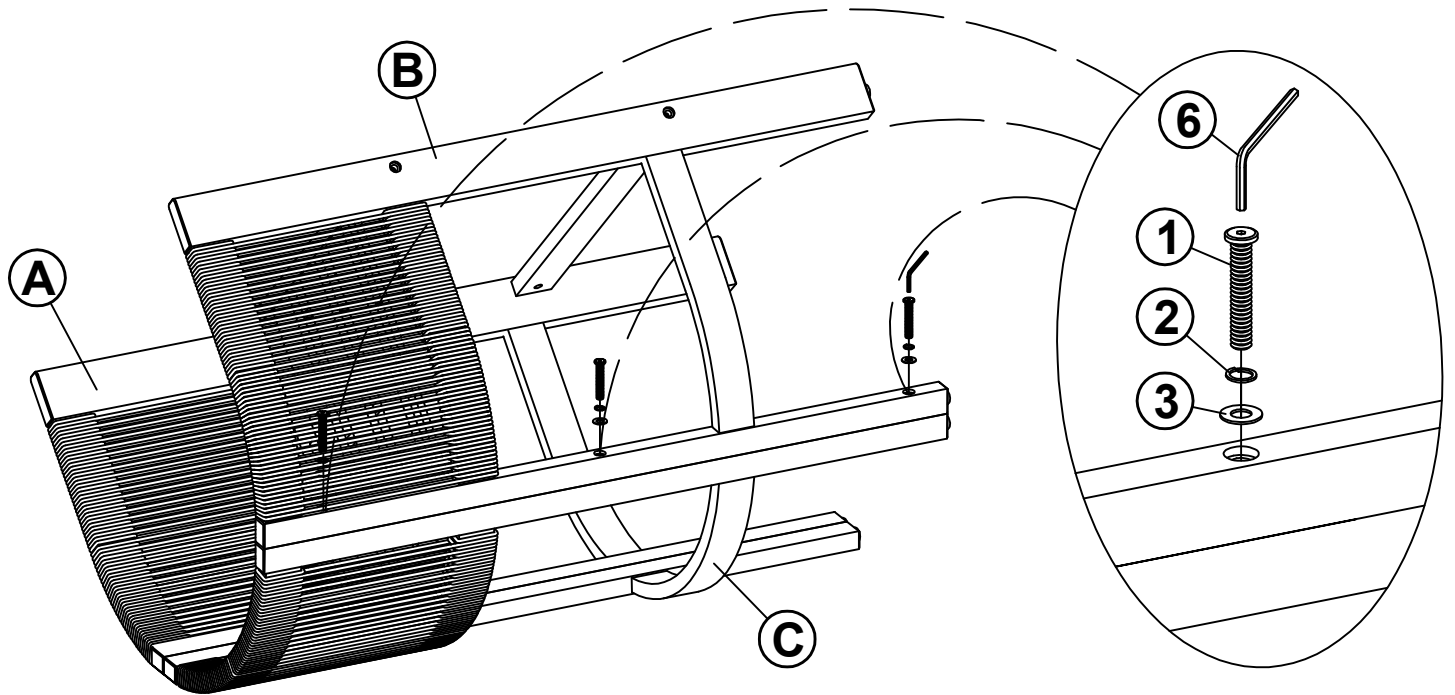
Insert the Seat frame (D) and Front support bar (E) into the Right chair frame (A).
Align the Wooden dowel (5) into the positions in the Back chair frame (C) as shown in above picture.

STEP 4



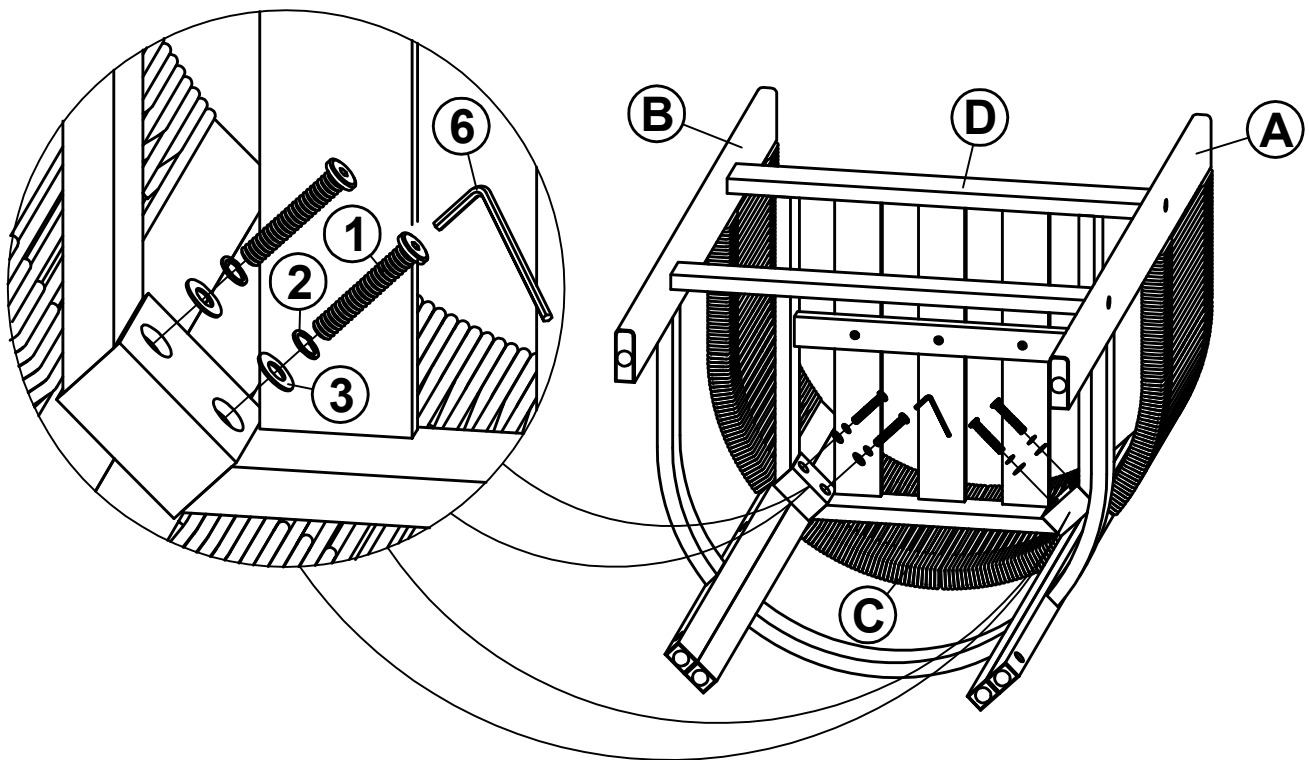
Affix Left chair frame (B) with Back chair frame (C) as shown in above picture.

STEP 5



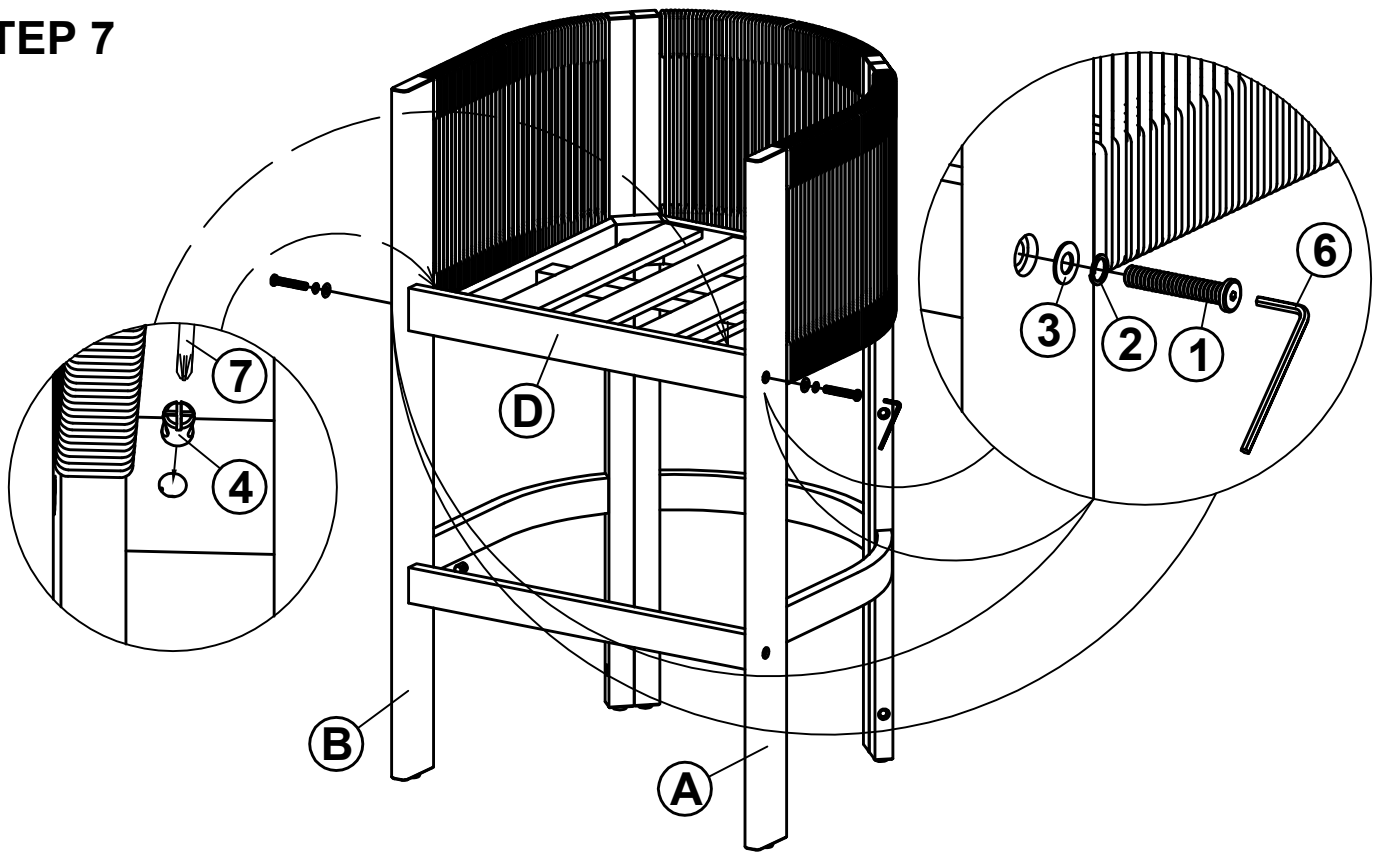
Attach **Left chair frame (B)** to the **Back chair frame (C)** using **Bolt (1)** and **Spring washer (2)** and **Flat washer (3)** with **Allen Wrench (6)** as shown in above picture.

STEP 6



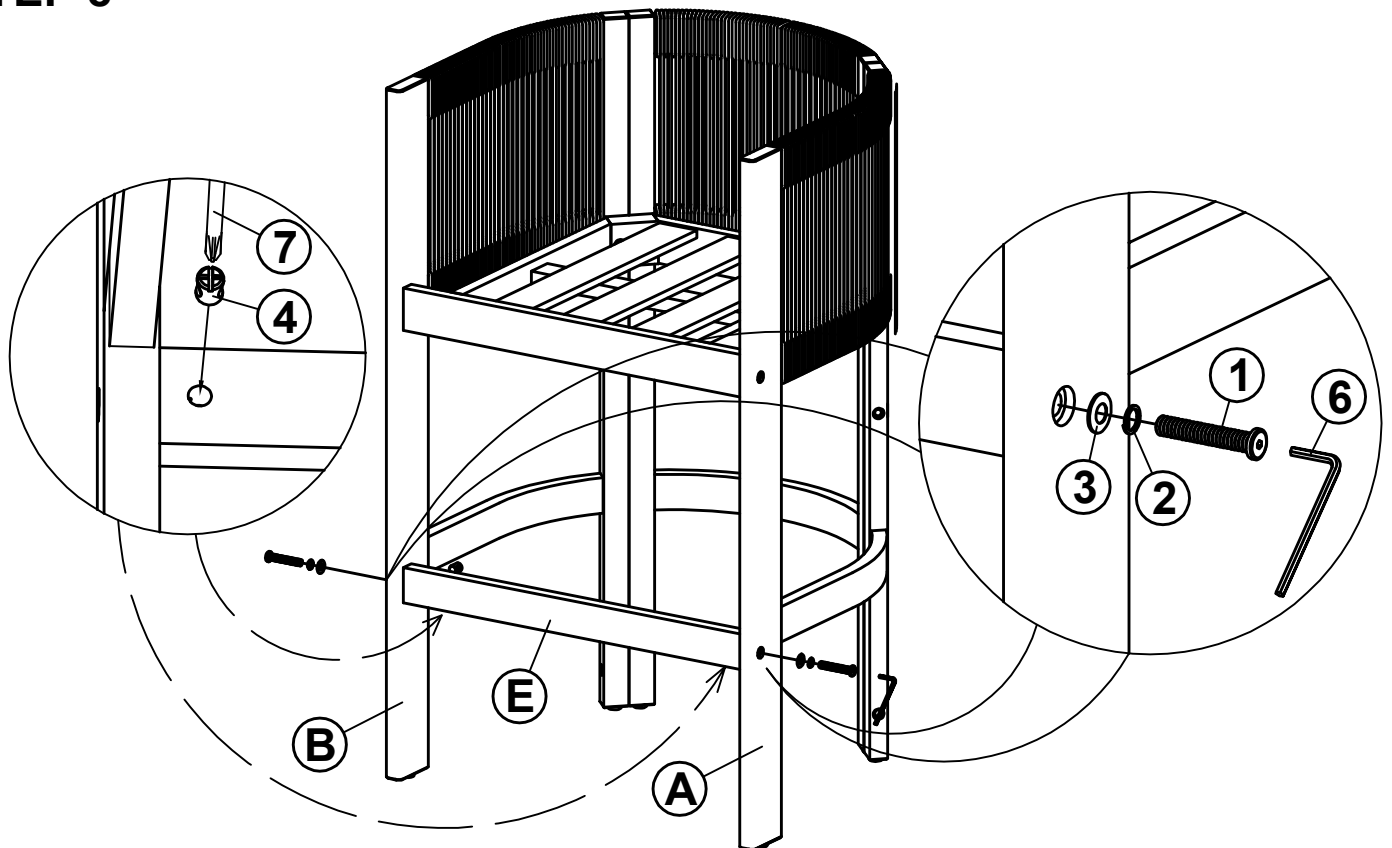
Attach **Seat frame (D)** to the **Back (C)**, **Left (B)** and **Right (A)** chair using **Bolt (1)** and **Spring washer (2)** and **flat washer (3)** with **Allen Wrench (6)** as shown in above picture.

STEP 7



Insert Embed-nut (4) into mounting position on the Seat frame (D) using Screwdriver. Attach Seat frame (D) to the Left, Right Frame (A), (B) and Back frame (C) using Bolt (1) and Spring washer (2) and Flat washer (3) with Allen Wrench (6) as shown in above picture.

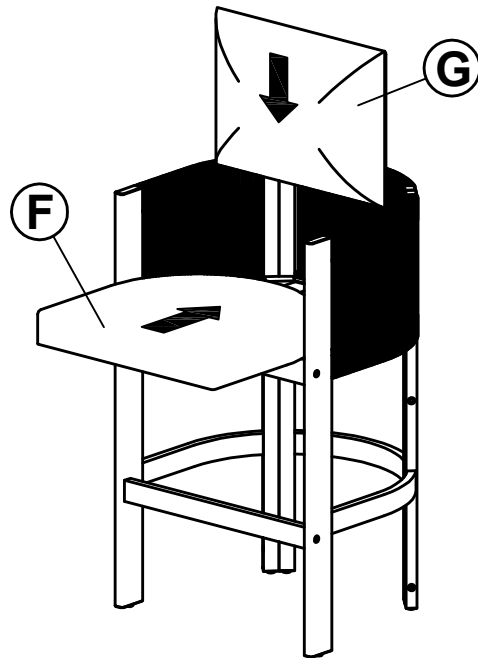
STEP 8



Insert Embed-nut (4) into mounting position on the Front support bar (E) using Screwdriver. Attach Front support bar (E) to the Left and Right chair frame (A), (B) using Bolt (1) and Spring washer (2) and Flat washer (3) with Allen Wrench (6) as shown in above picture.

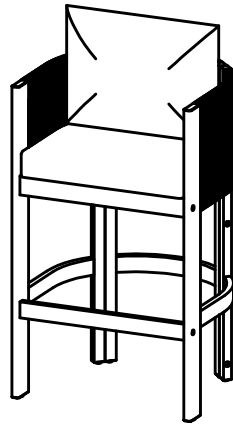
FULLY TIGHTEN SCREWS.

STEP 9



Attach the Seat (F) and Back cushion (G) as shown in above picture.

STEP 10



Turn the Barstool right side up.
Place the Barstool on a LEVEL SURFACE.
Inspect it and make sure all parts are adequately connected.
Gently and gracefully, sit into to the Barstool.
This would help to align all the parts at all the joint areas.

Then get off the Barstool, and in a sequential manner, proceed to tighten all screws.
To tighten the Screws at the base of the Backrest, do secure assistance from your adult partner(s).
You may be required to turn the Barstool, to gain easy access to the secure points.
Turn the Barstool in a synchronised manner.

CAUTION 1: When tightening these screws, tighten sequentially.
DO NOT tighten any screw fully and then towards the next one.
This would cause the frame to warp.
If there is still wobbles, loosen the screws and execute this same process.
WARNING!! IF Barstool IS NOT STABLE , IT COULD LEAD TO DAMAGING THE PRODUCT.
Ensure all screws are fully locked into position.
The Barstool is ready to be used.
Caution 2: This Barstool can only be used on a flat, level surface.

Questions & Answers about Proposition 65

- What is Proposition 65?

Proposition 65 requires businesses to provide warnings to Californians about significant exposures to chemicals that cause cancer, birth defects or other reproductive harm. These chemicals can be in the products that Californians purchase, in their homes or workplaces, or that are released into the environment. By requiring that this information be provided, Proposition 65 enables Californians to make informed decisions about their exposures to these chemicals.

Proposition 65 also prohibits California businesses from knowingly discharging significant amounts of listed chemicals into sources of drinking water.

Proposition 65 requires California to publish a list of chemicals known to cause cancer, birth defects or other reproductive harm. This list, which must be updated at least once a year, has grown to include approximately 900 chemicals since it was first published in 1987.

- What types of chemicals are on the Proposition 65 list?

The list contains a wide range of naturally occurring and synthetic chemicals that include additives or ingredients in pesticides, common household products, food, drugs, dyes, or solvents. Listed chemicals may also be used in manufacturing and construction, or they may be byproducts of chemical processes, such as motor vehicle exhaust.

- What does a warning mean?

If a warning is placed on a product label or posted or distributed at a workplace, a business, or in rental housing, the business issuing the warning is aware or believes that it is exposing individuals to one or more listed chemicals.

By law, a warning must be given for listed chemicals unless the exposure is low enough to pose no significant risk of cancer or is significantly below levels observed to cause birth defects or other reproductive harm.

- Where can I get more information on Proposition 65?

If you have specific questions on the administration or implementation of Proposition 65, you can contact OEHHA's Proposition 65 program at P65.Questions@oehha.ca.gov, or by phone at (916) 445-6900.