

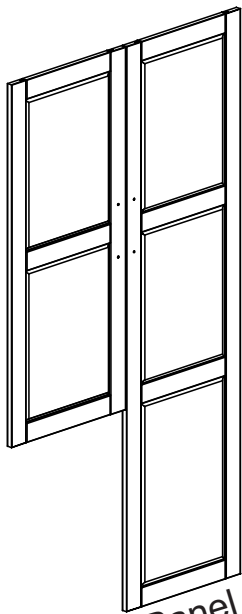
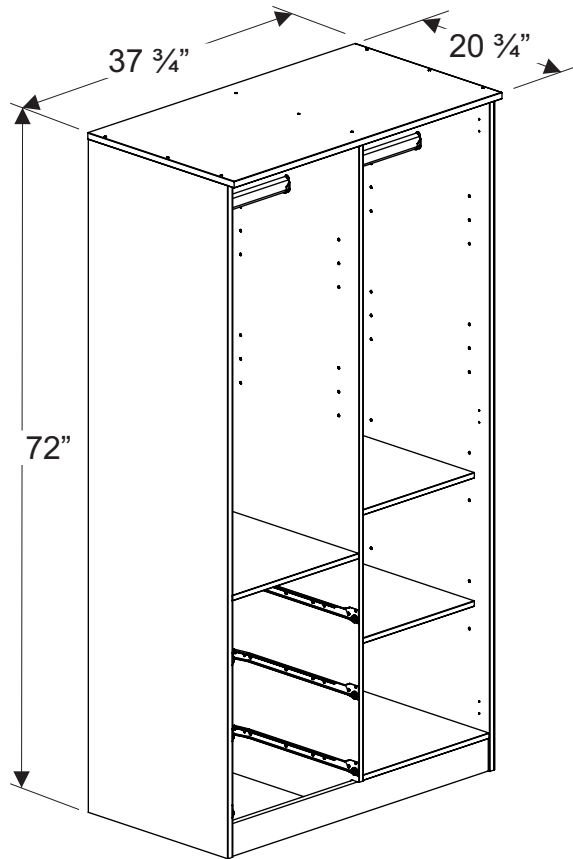
Thank you for choosing our product.  
Your total satisfaction is our #1 priority.

### Customer Service and Warranty Information

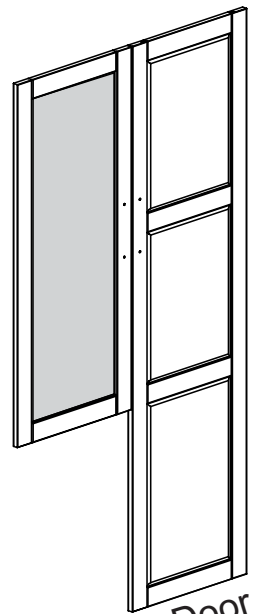
- Should you have a problem or need more information concerning the warranty, **do not contact the place of purchase.**
- Our products are warranted to the original purchaser against defects in material or workmanship in the furniture. Defects as mentioned in this warranty refer to any imperfections which may impair the use of the product. Our warranty is expressly limited to the replacement of furniture parts and components for one year following the date of purchase.
- We will replace any part that is defective. This warranty applies under conditions of normal use. Our furniture products are not intended for outdoor use. The warranty does not cover defects caused by improper assembly or disassembly, defects occurring after purchase due to product modifications, intentional damage, accident, misuse, exposure to the elements and labor or assembly costs.
- We reserves the right to request proof of purchase to document a warranty claim. In no event shall be liable for incidental or consequent damages resulting from the misuse of the product.

# ASSEMBLY GUIDE

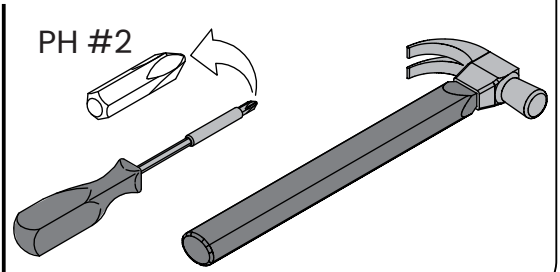
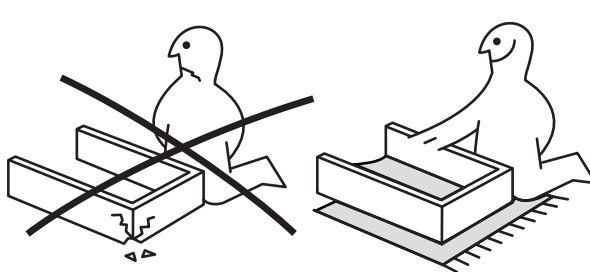
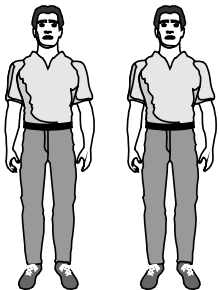
## 2-DOOR WARDROBE



Raised Panel Doors



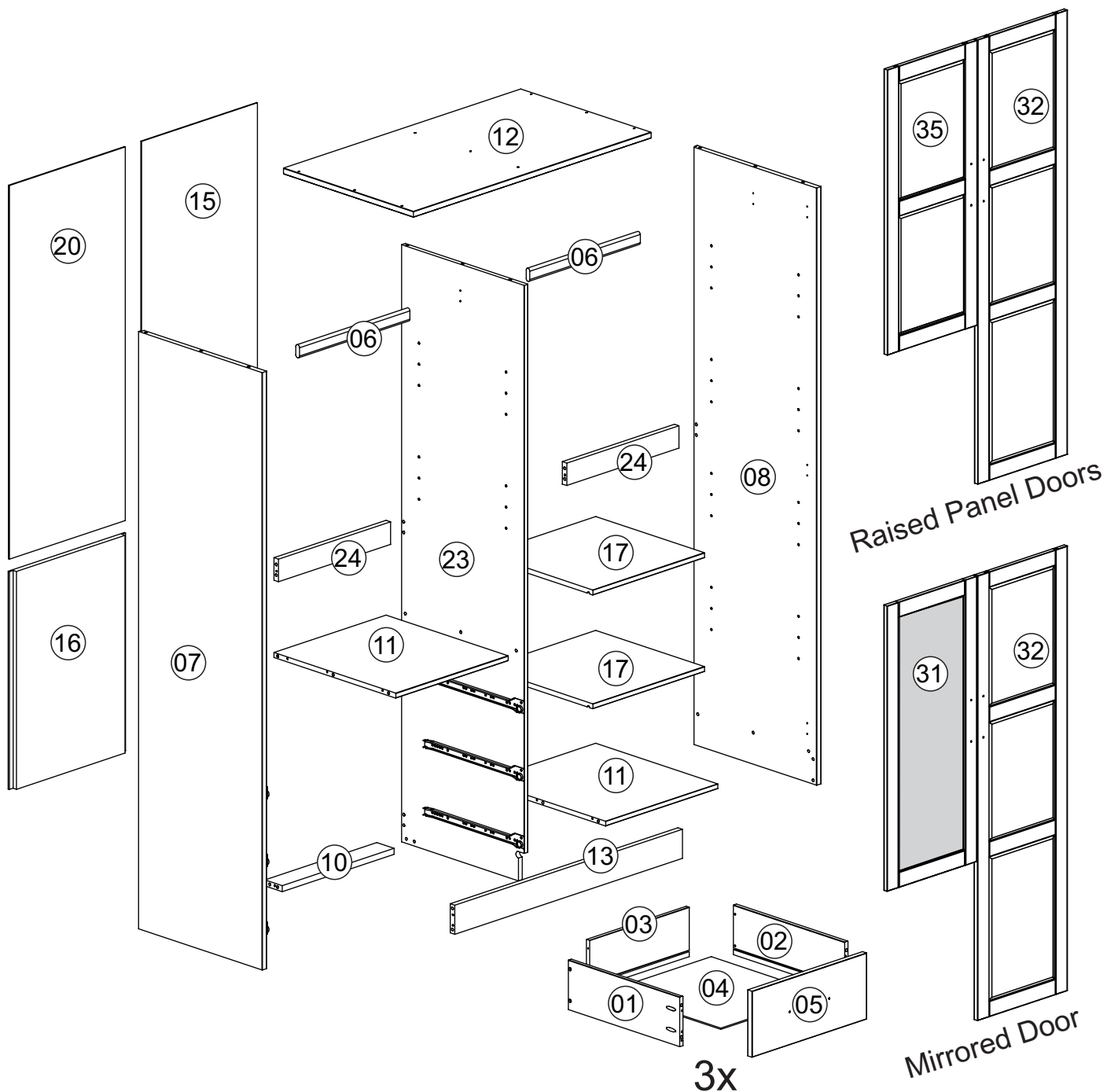
Mirrored Door




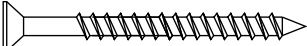
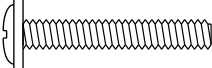



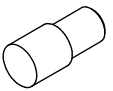
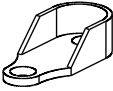

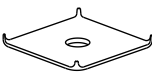
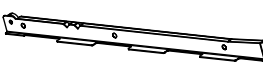
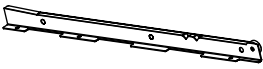
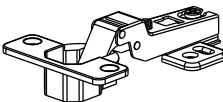
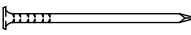
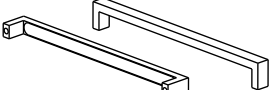
# PRE-ASSEMBLY PREPARATION

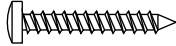
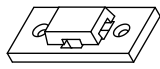

- Please check the contents before assembling. A complete list of parts is provided below.
- If any parts are missing or damaged, please contact customer service
- Assemble on a flat, smooth surface on top of a blanket
- Use only low-speed power drill setting
- Assemble as near as possible .
- The hardware pack contains SMALL ITEMS which should be KEPT AWAY FROM YOUNG CHILDREN.

## PARTS DIAGRAM



SCREWS ARE SHOWN IN ACTUAL SIZE

|     |  |      |
|-----|--|------|
| A1  | <br>4,0x30            | 46+2 |
| A16 | <br>4,0x40            | 09+1 |
| A25 | <br>M4x25             | 10+1 |
| A42 | <br>4,0x14            | 20+1 |
| A44 | <br>3,5x14            | 30+1 |
| C2  | <br>8,0x25            | 49+2 |
| D4  |                       | 08+1 |
| D10 |                     | 04   |
| D16 |                     | 01   |
| D27 |                     | 08+1 |
| E17 | <br>450mm - 17 3/4" | 03   |
| E18 | <br>450mm - 17 3/4" | 03   |
| F10 |                     | 06   |
| G1  | <br>10x10           | 52   |
| H12 |                     | 05   |

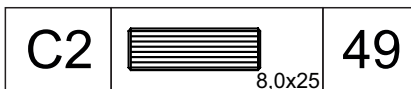
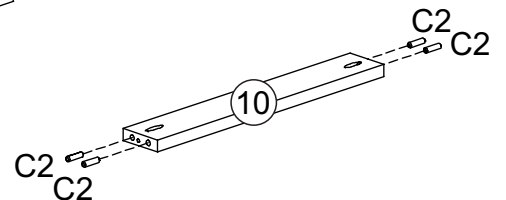
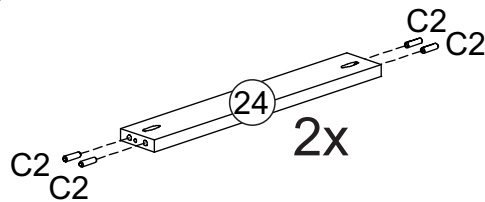
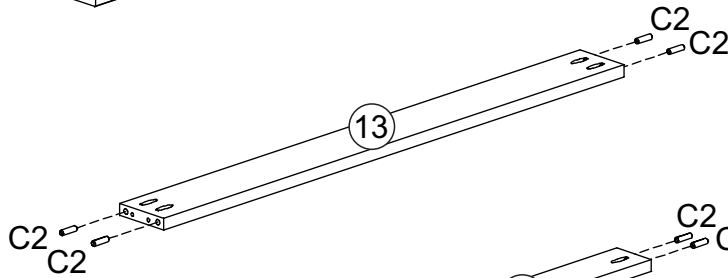
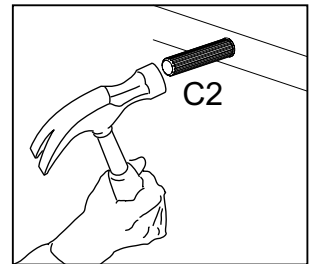
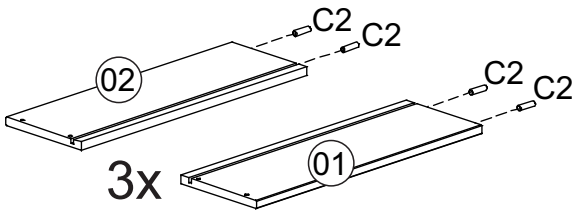
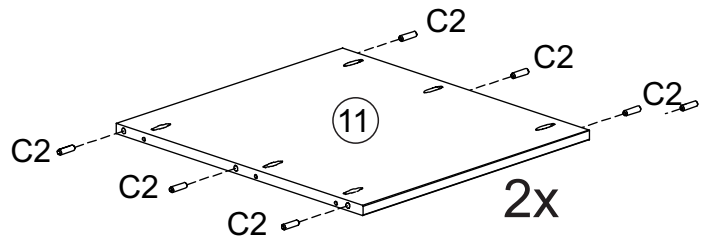
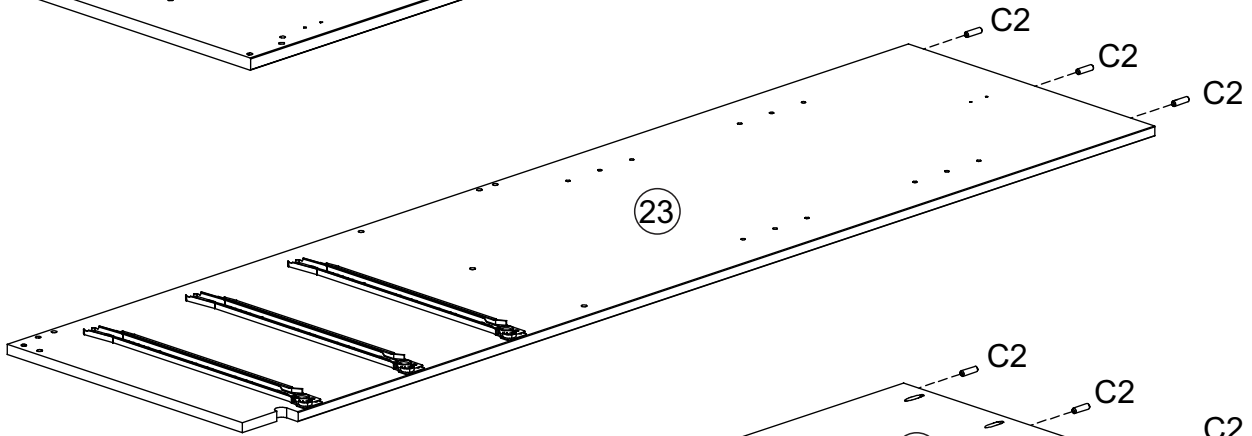
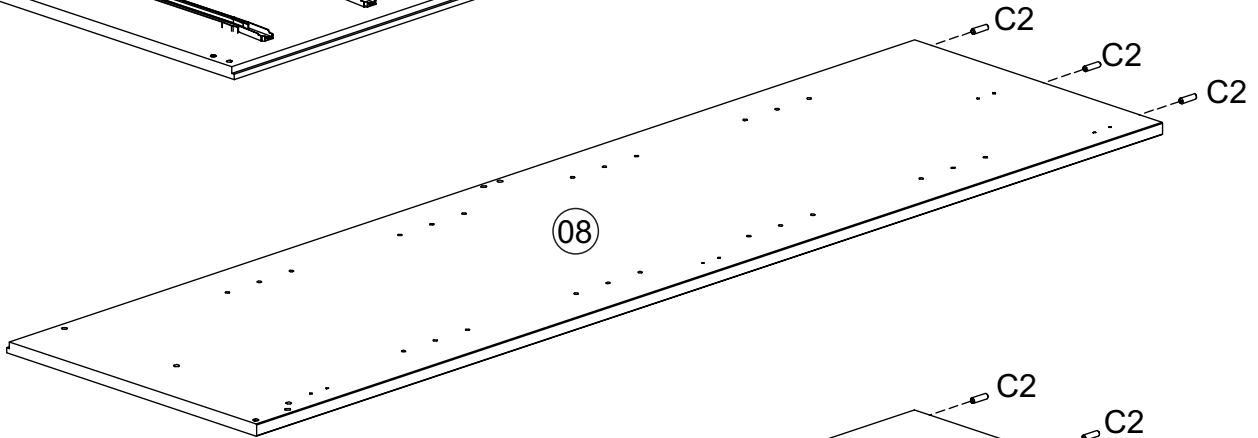
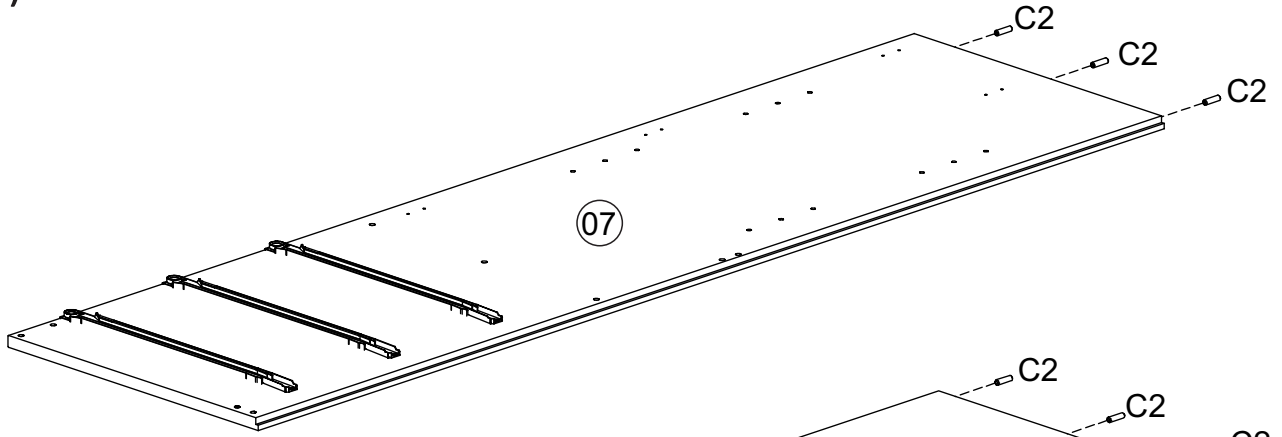
| FURNITURE ANTI-TIP KIT |  |      |
|------------------------|--|------|
| A8                     | <br>3,0x20 | 02+1 |
| F8                     |            | 02   |
| F9                     |            | 01   |

**WARNING:**  
 **CHOKING HAZARD**  
 Small Parts.  
 Adult Supervision Required.  
 Not for children under 3 years old.

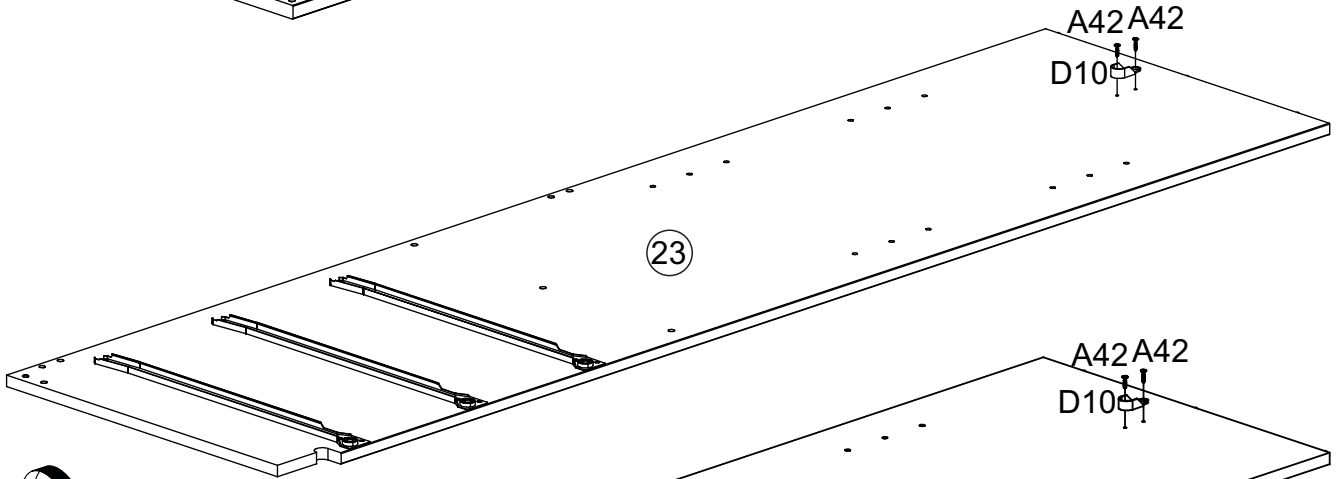
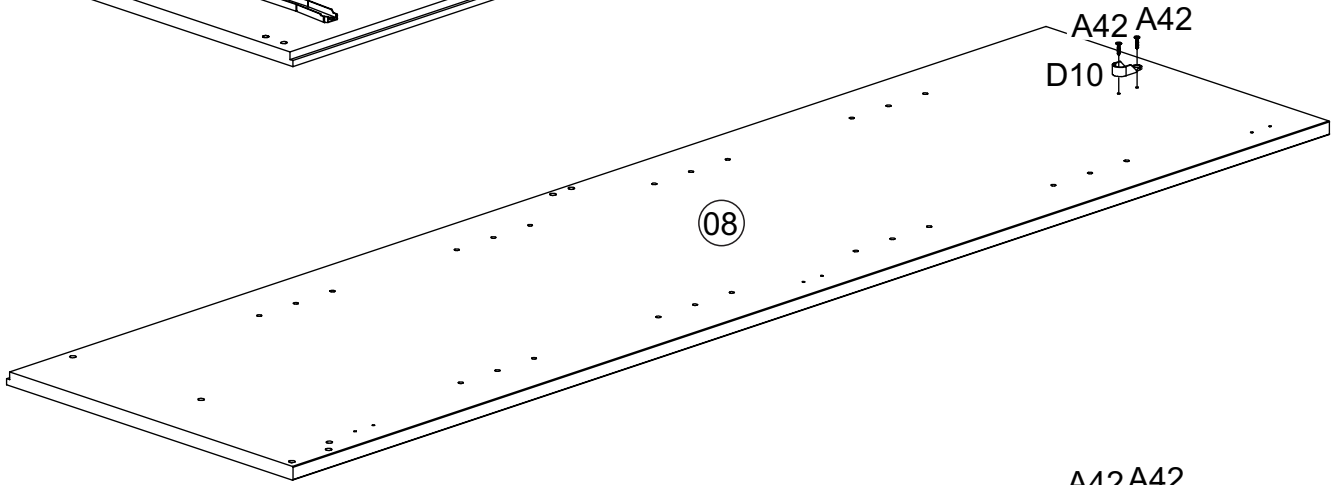
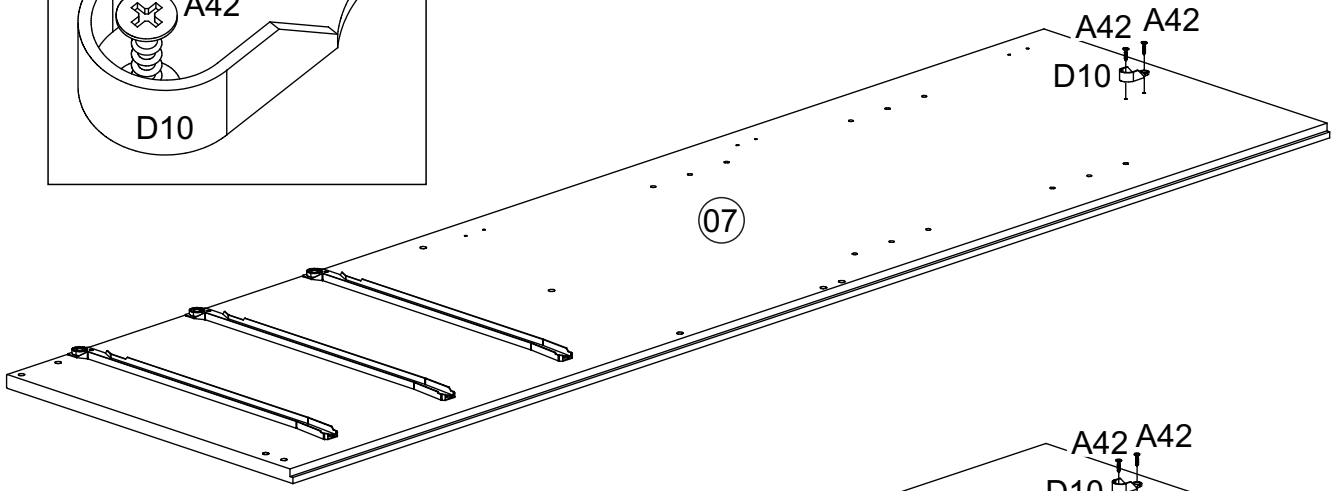
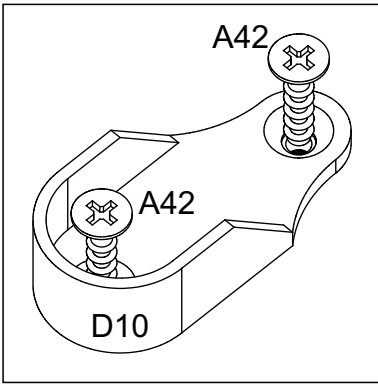
**WARNING:**  
  
**FURNITURE TIPOVER CAN RESULT  
 IN SERIOUS INJURY OR DEATH**

This wardrobe includes tipover-  
 prevention hardware that  
**MUST BE ATTACHED TO THE WALL**  
 per the assembly instructions.

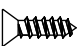
01)



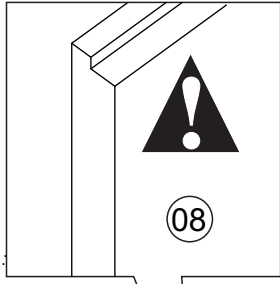
02)



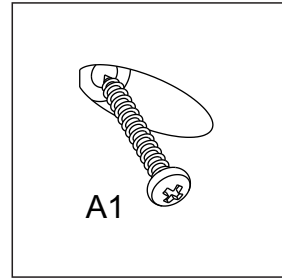
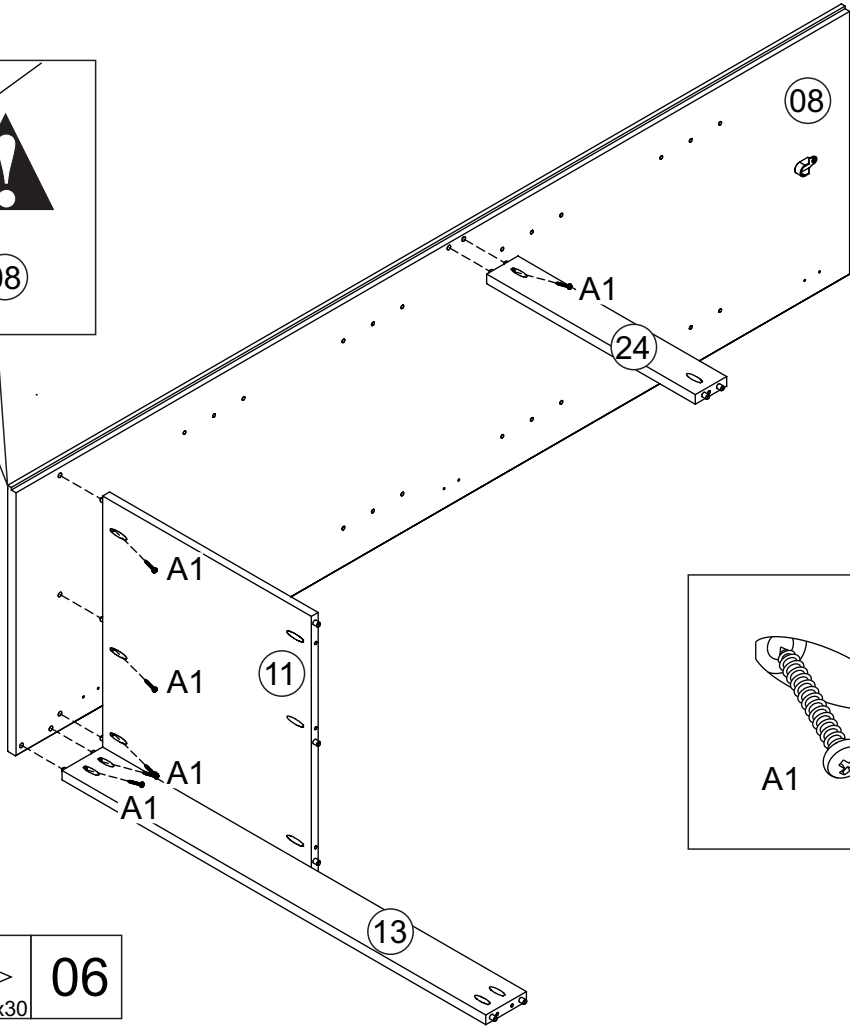
Turn part 23  
OVER

|     |   |    |     |   |    |
|-----|---|----|-----|---|----|
| A42 |  | 08 | D10 |  | 04 |
|     | 4,0x14  |    |     |   |    |

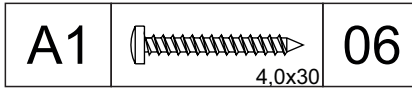
03)



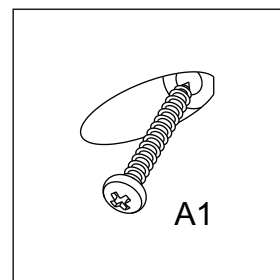
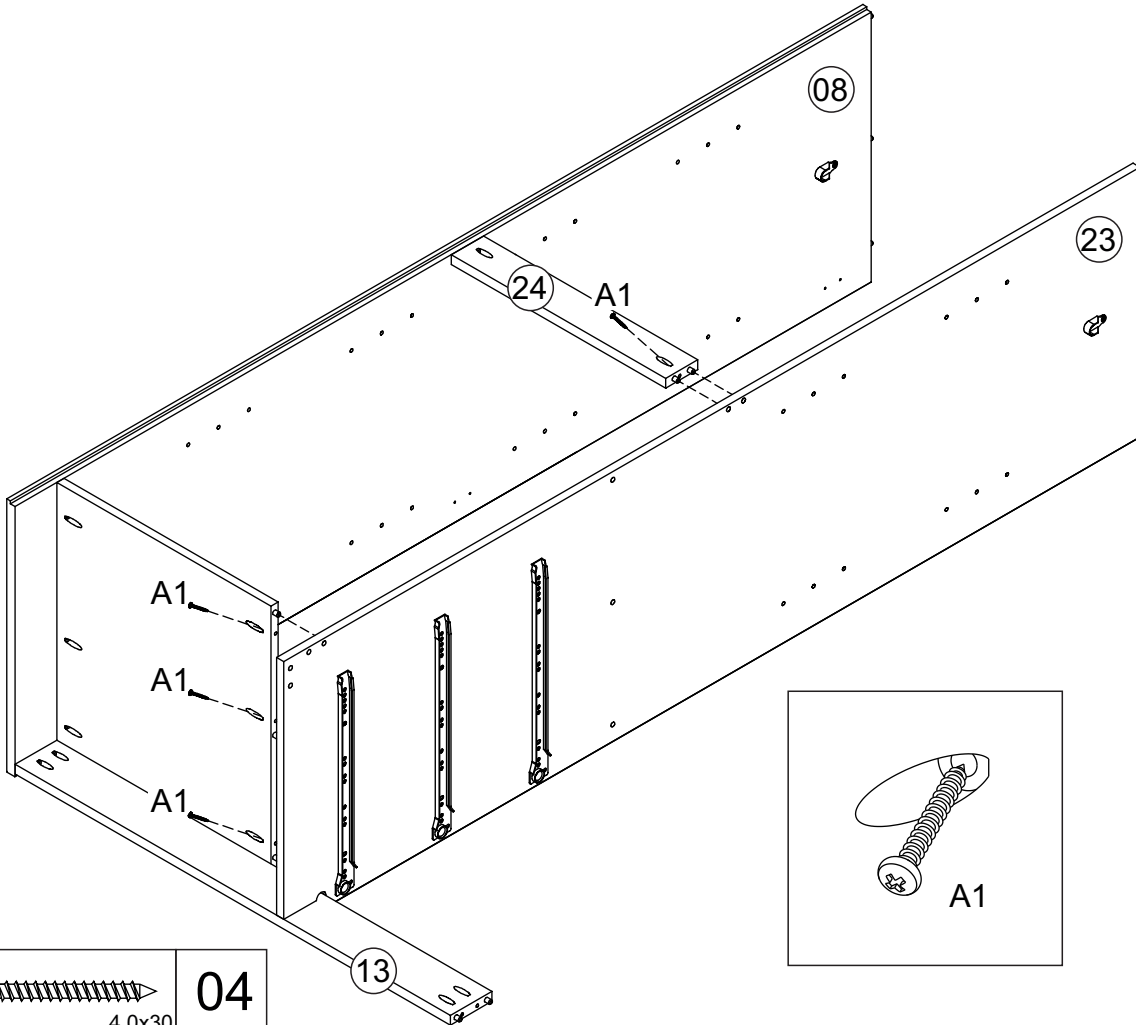
08



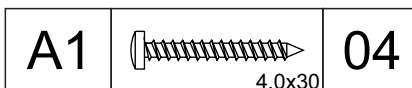
A1



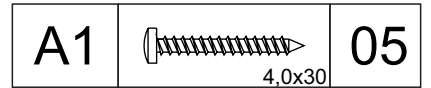
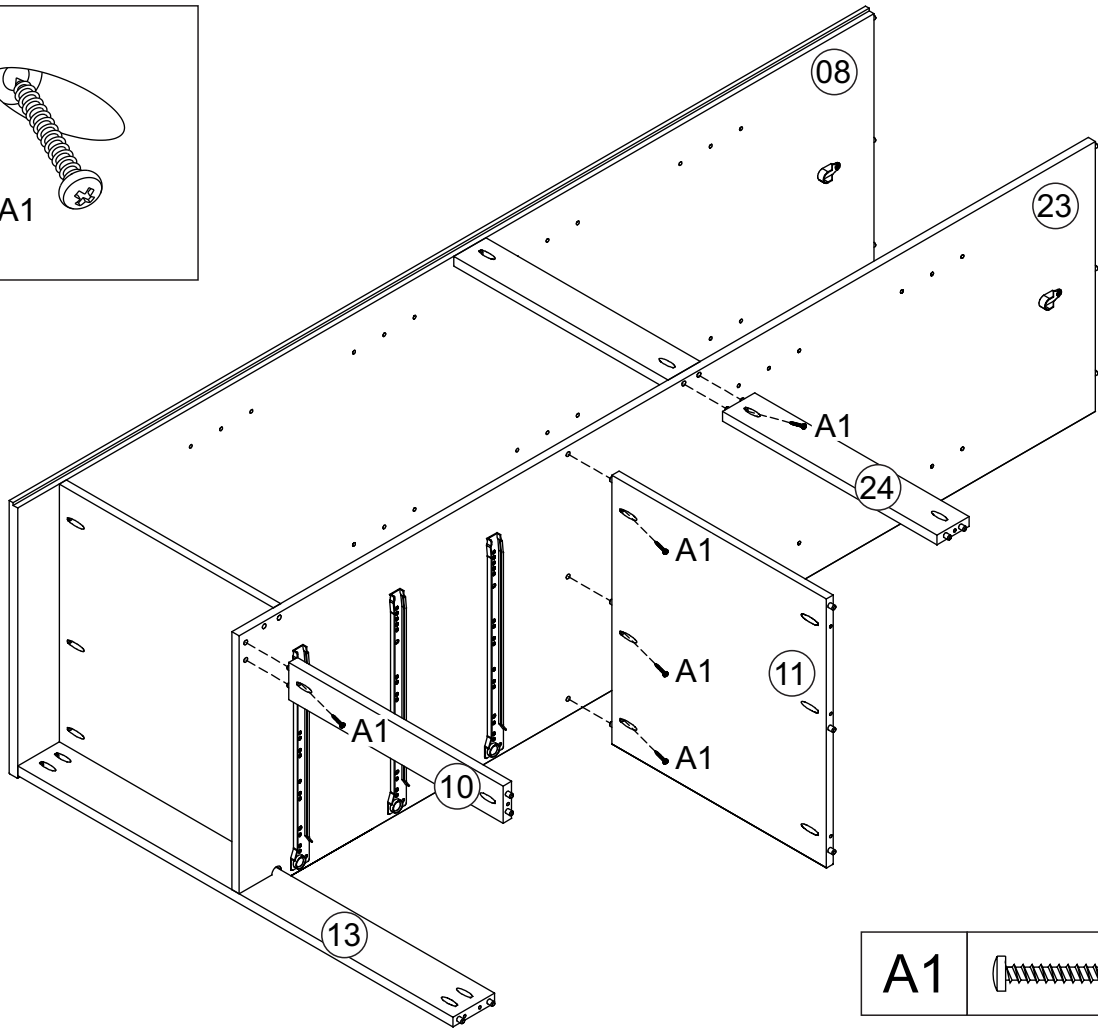
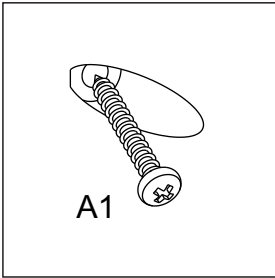
04)



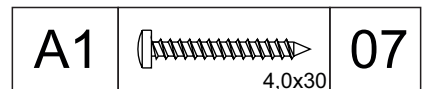
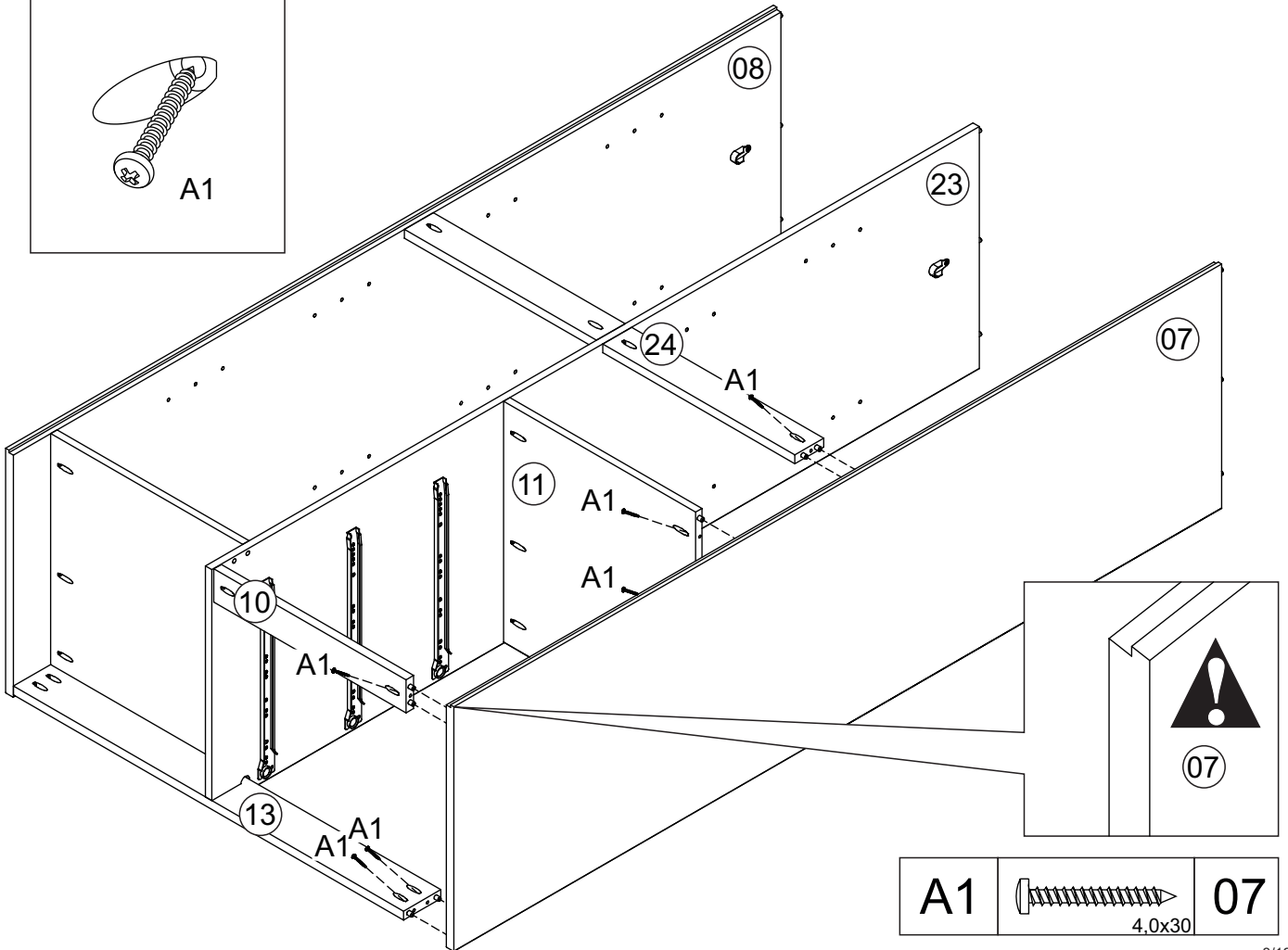
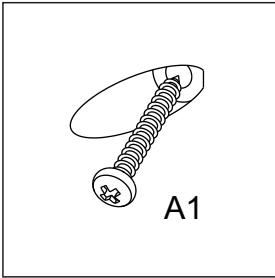
A1



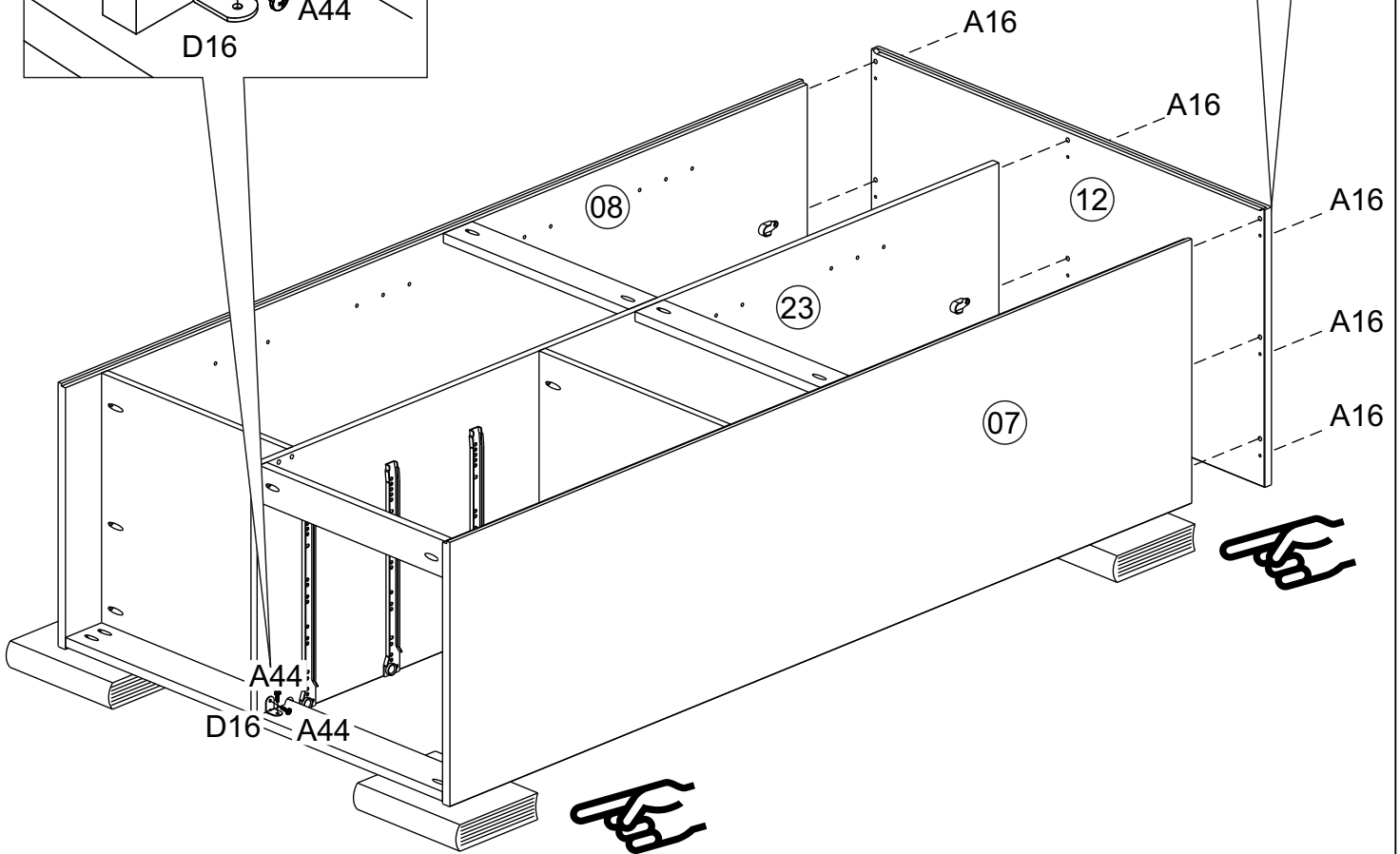
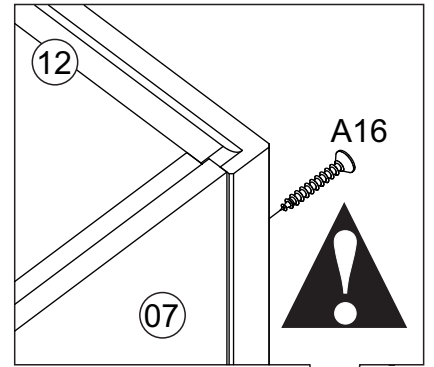
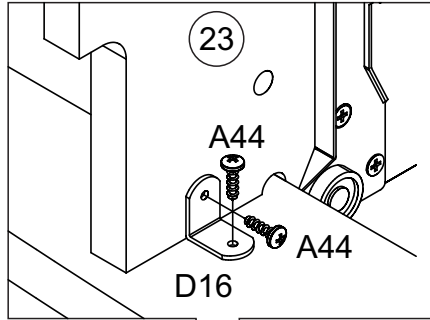
05)


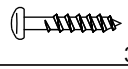



06)

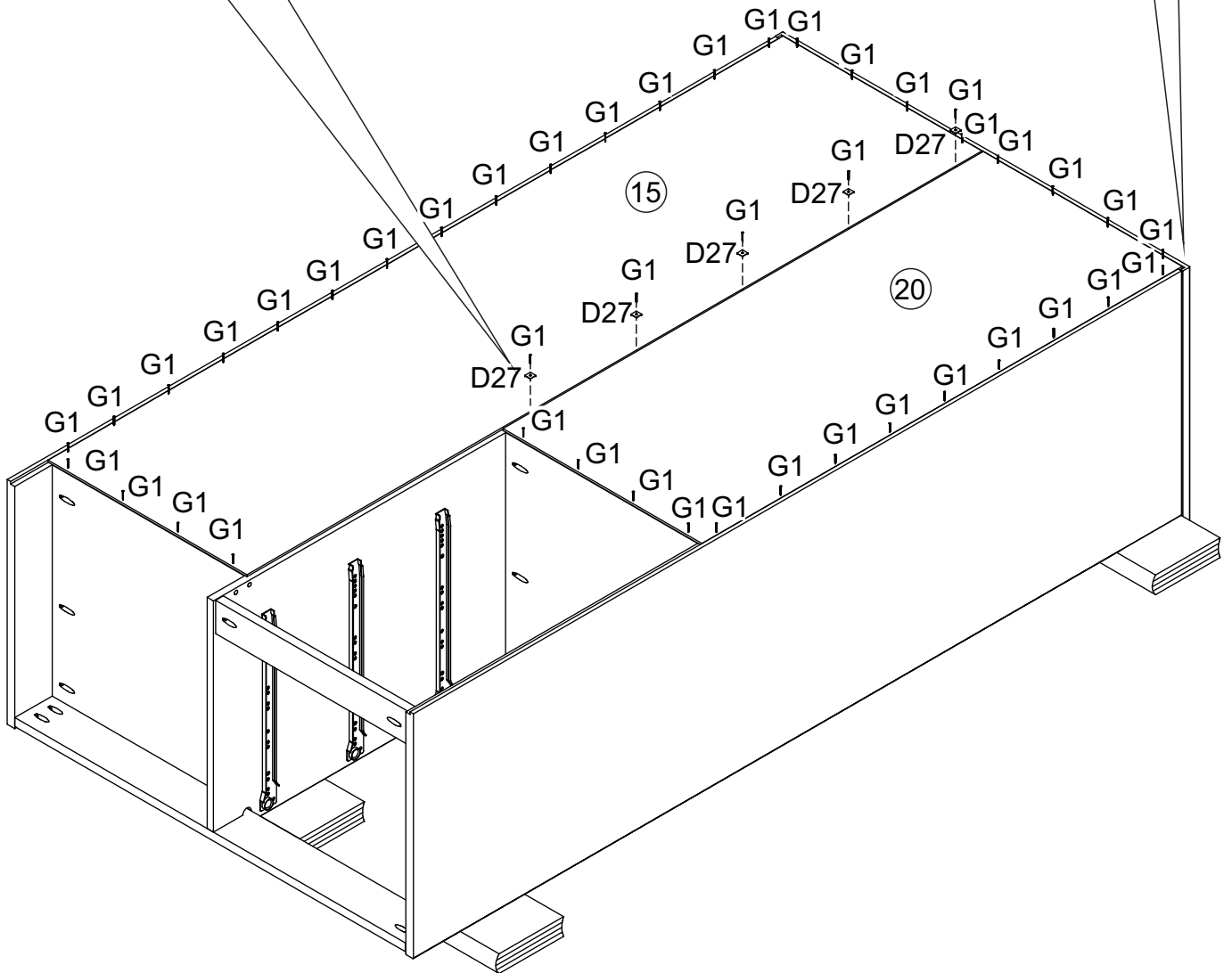
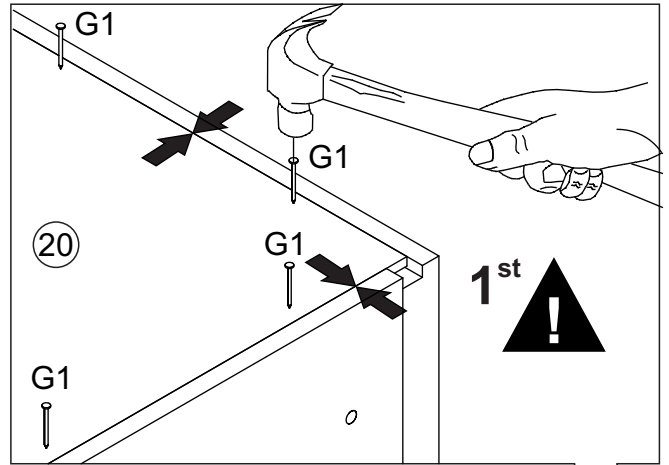
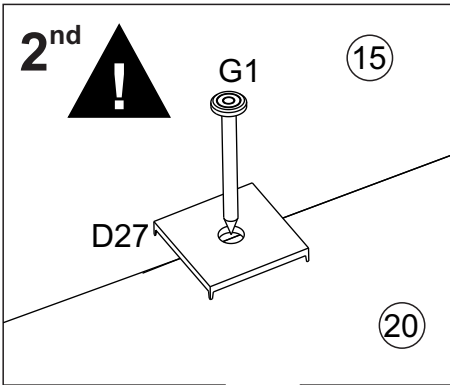



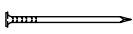
07)



|     |   |    |
|-----|---|----|
| A16 | <br>4,0x40 | 09 |
| A44 | <br>3,5x14 | 02 |
| D16 |            | 01 |

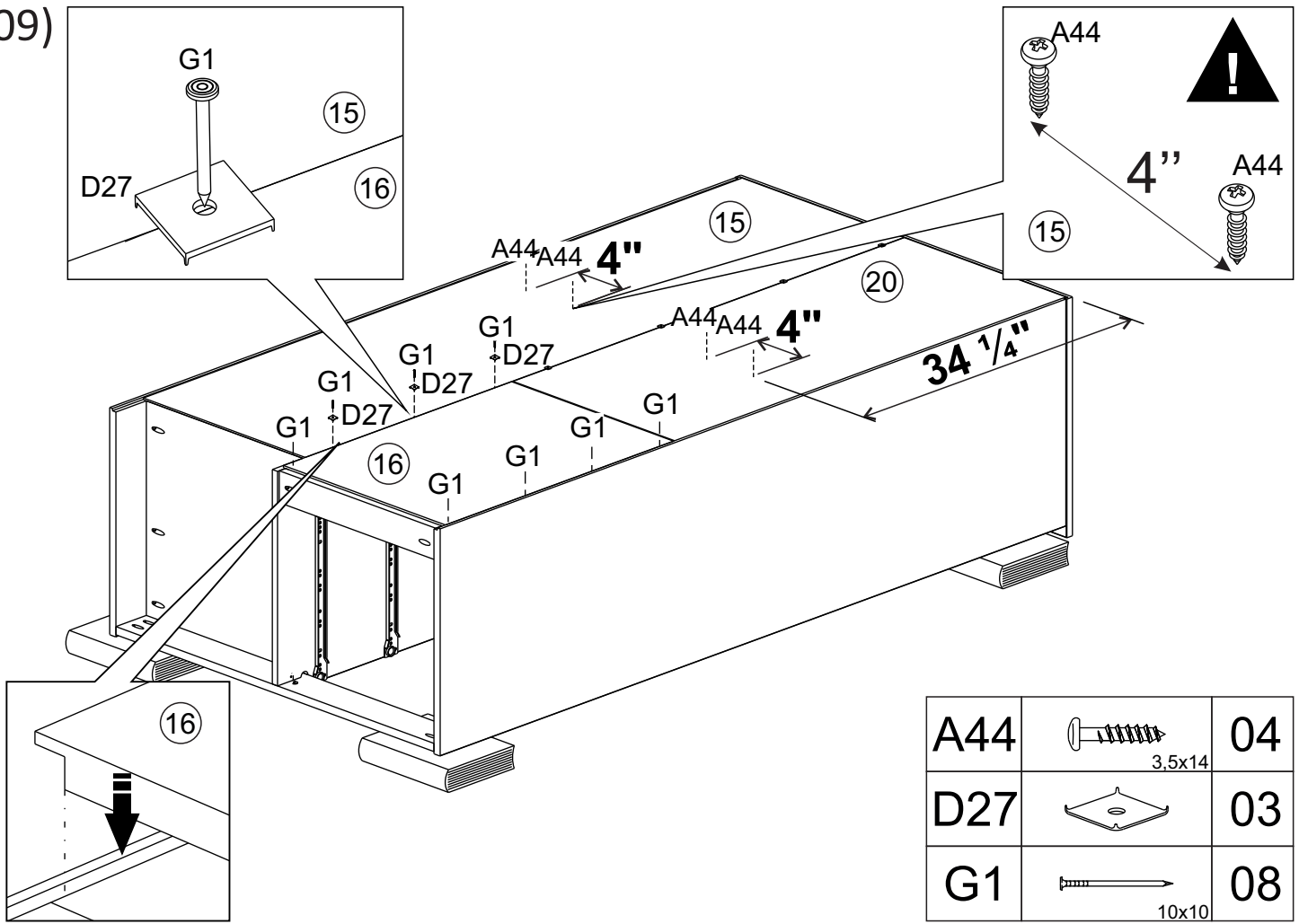
08)

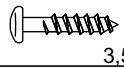




|     |   |    |    |  |    |
|-----|---|----|----|--|----|
| D27 |  | 05 | G1 |  | 44 |
|-----|---|----|----|--|----|

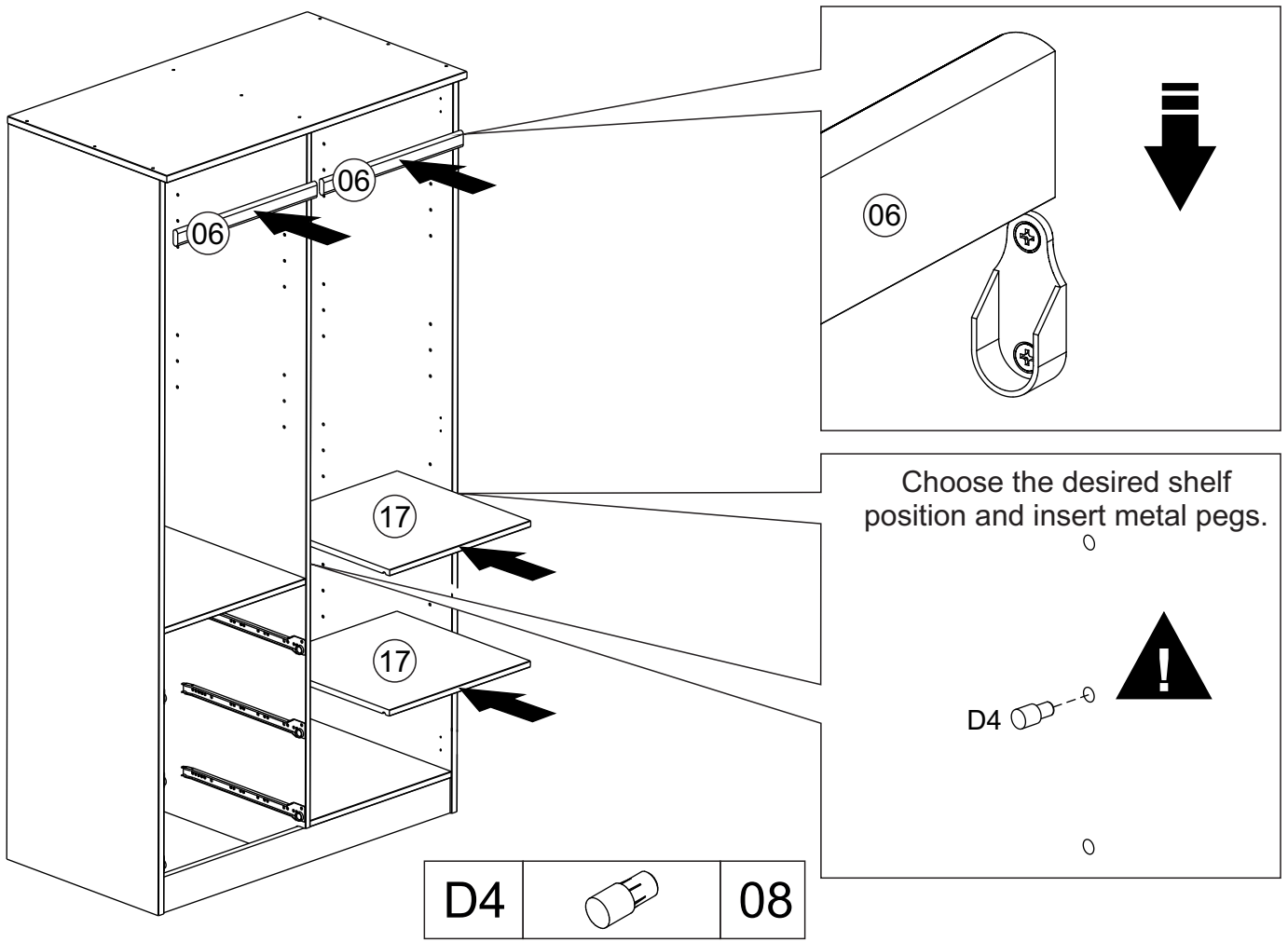
10x10

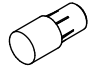
09)



|     |  |    |
|-----|--|----|
| A44 | <br>3.5x14  | 04 |
| D27 |             | 03 |
| G1  | <br>10x10 | 08 |

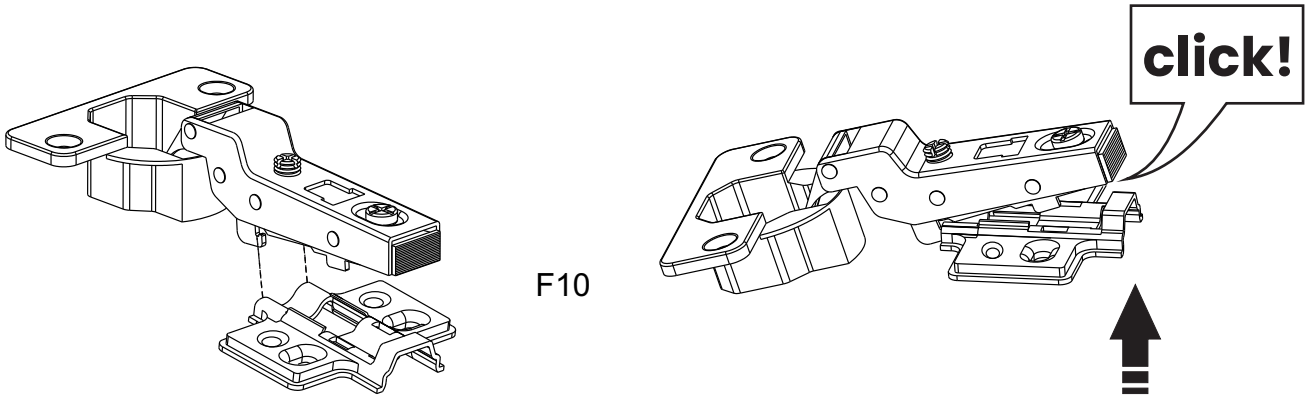
10)



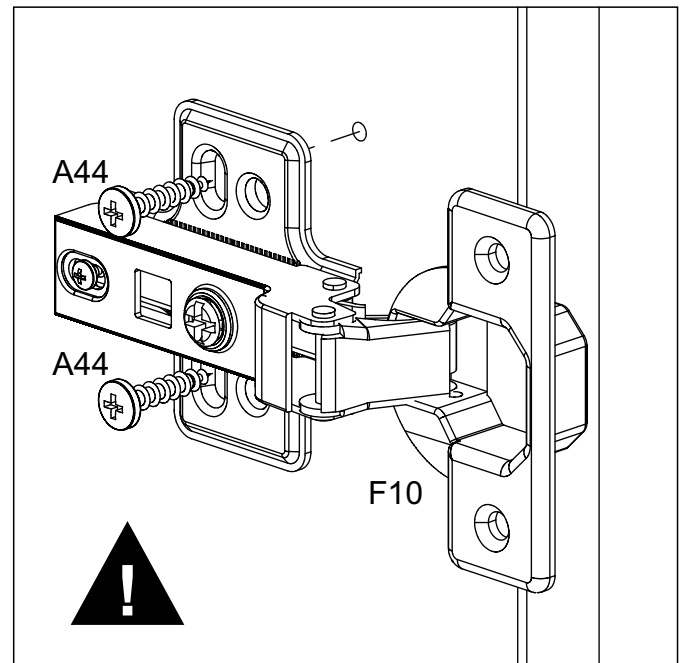
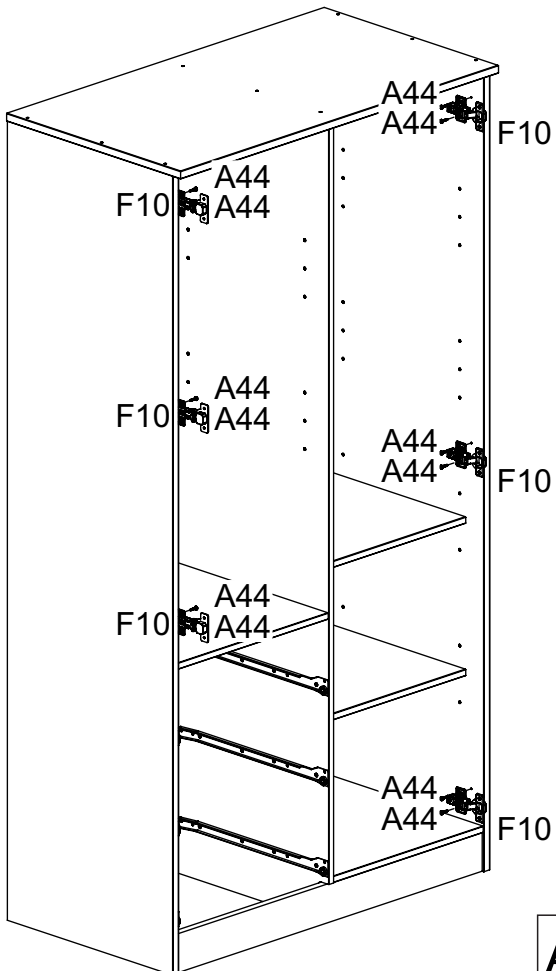
|    |   |    |
|----|---|----|
| D4 |  | 08 |
|----|---|----|

11)

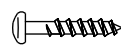
Attach hinge ( F10 ) to hinge plate if it arrived separated.  
Push hinge against plate until it clicks.



12)



A44



3,5x14

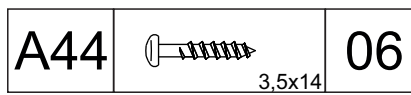
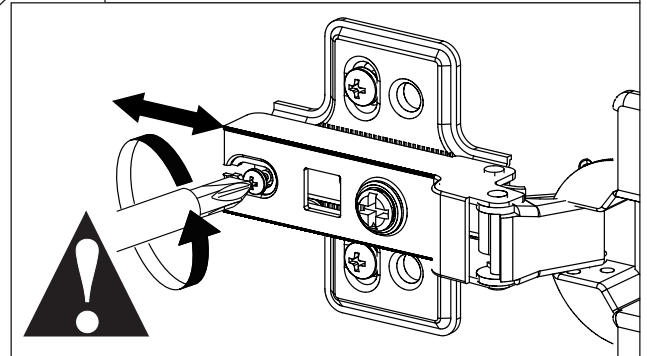
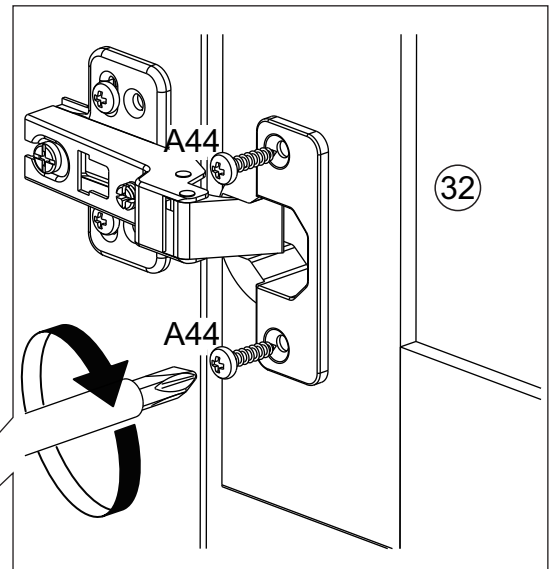
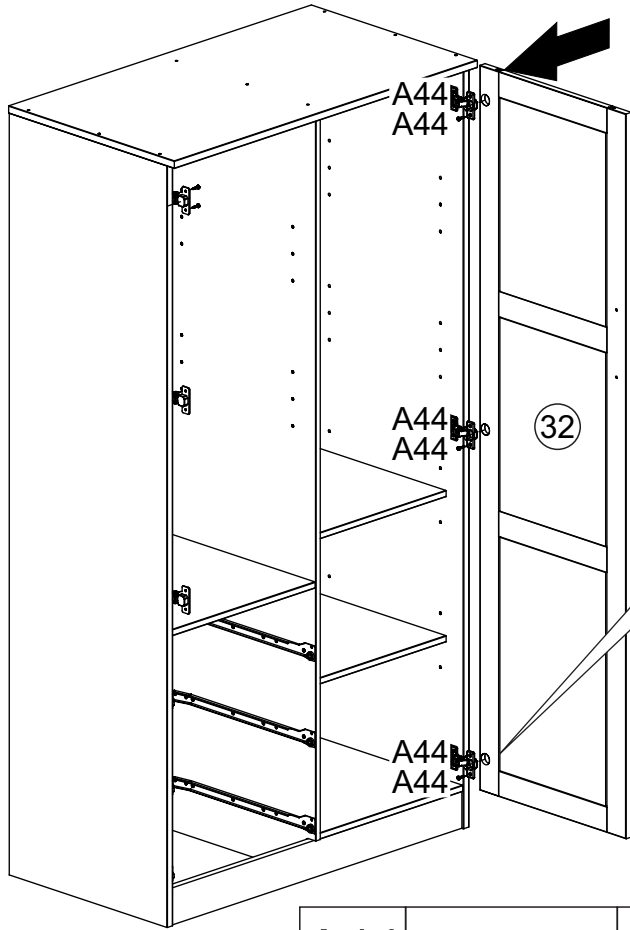
12

F10



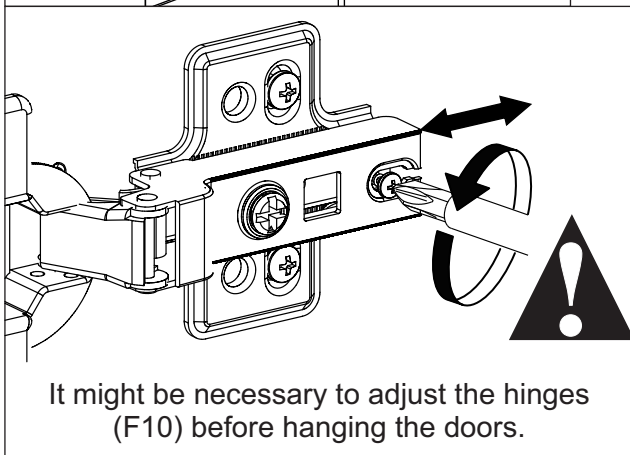
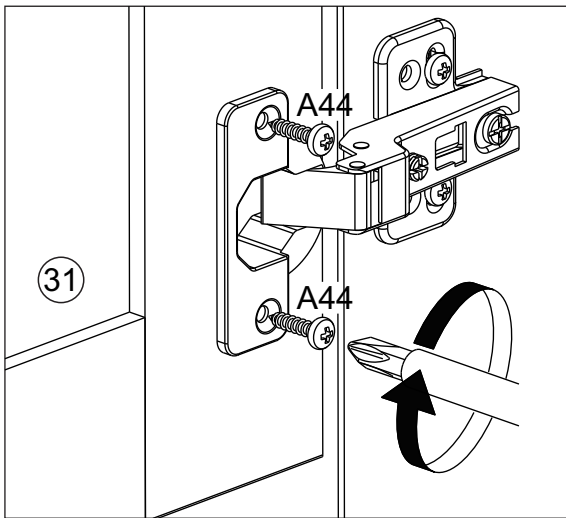
06

13)

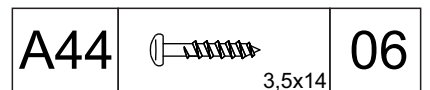
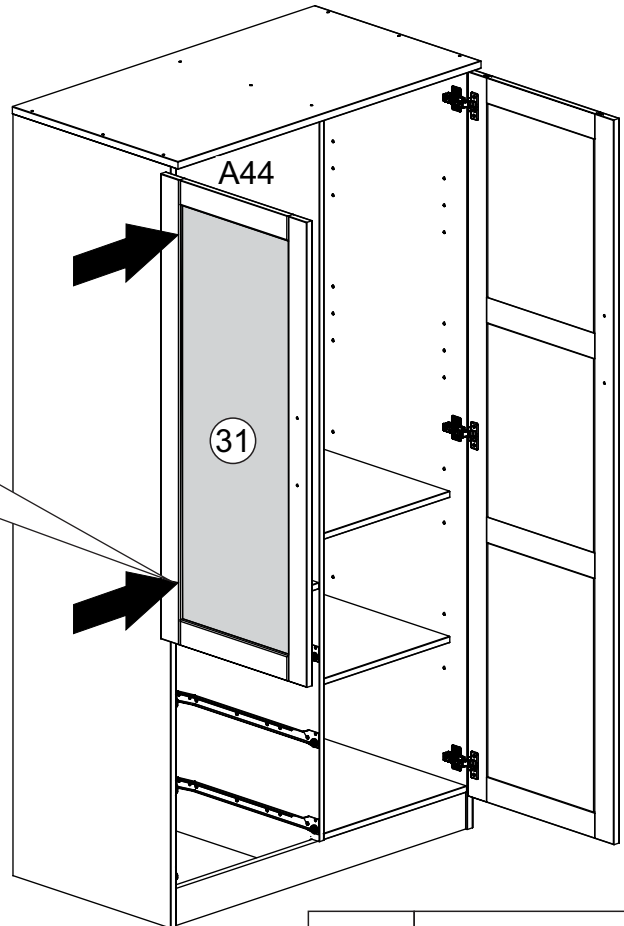


It might be necessary to adjust the hinges (F10) before hanging the doors.

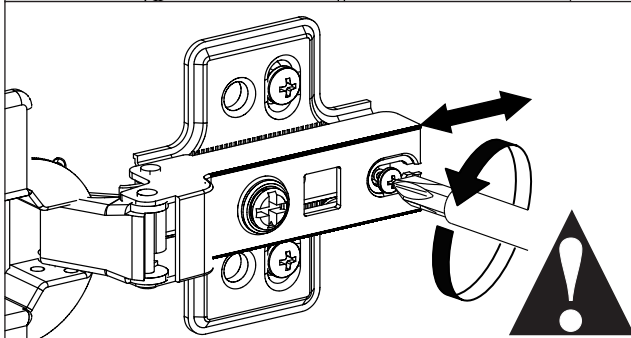
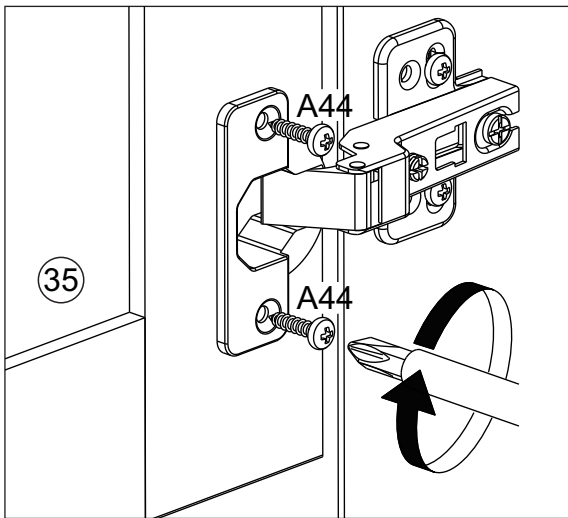
## 14) Mirrored Door



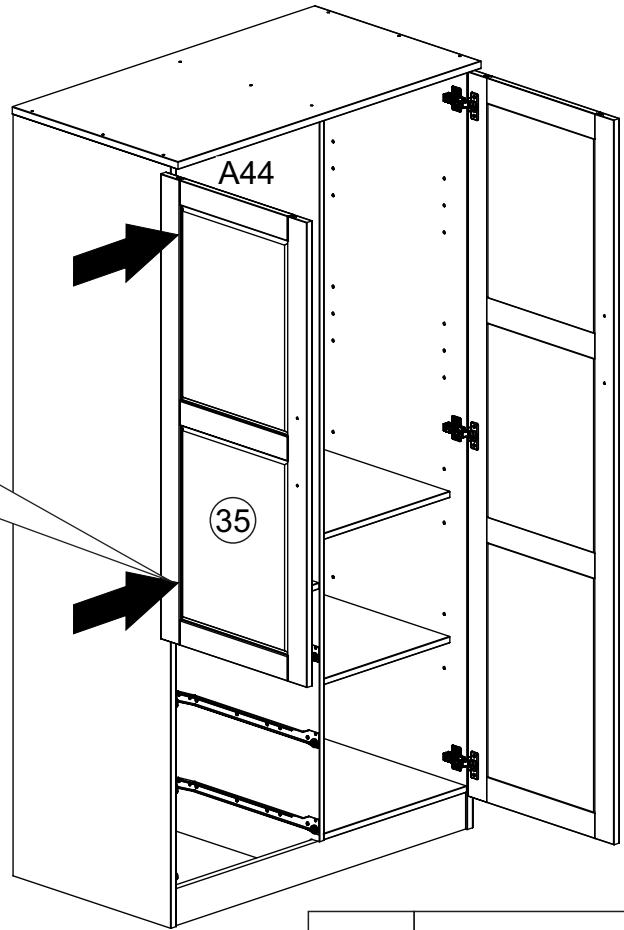
It might be necessary to adjust the hinges (F10) before hanging the doors.

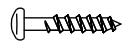


# 14) Raised Panel Door

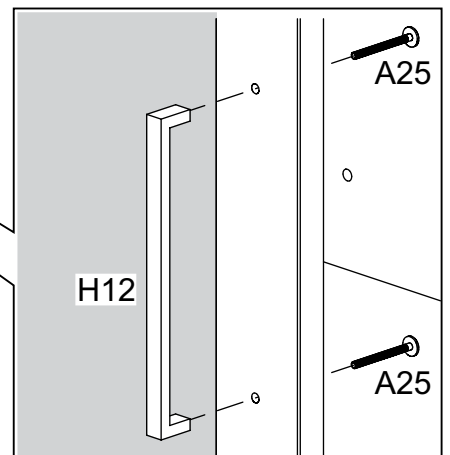
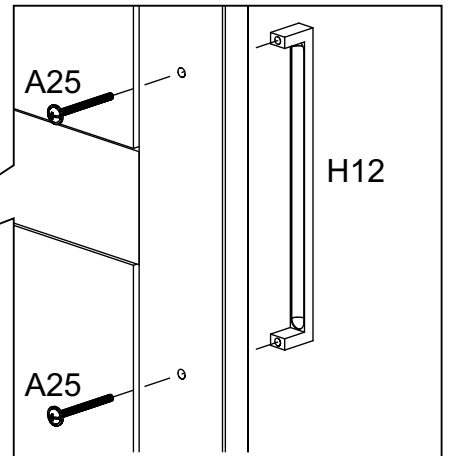
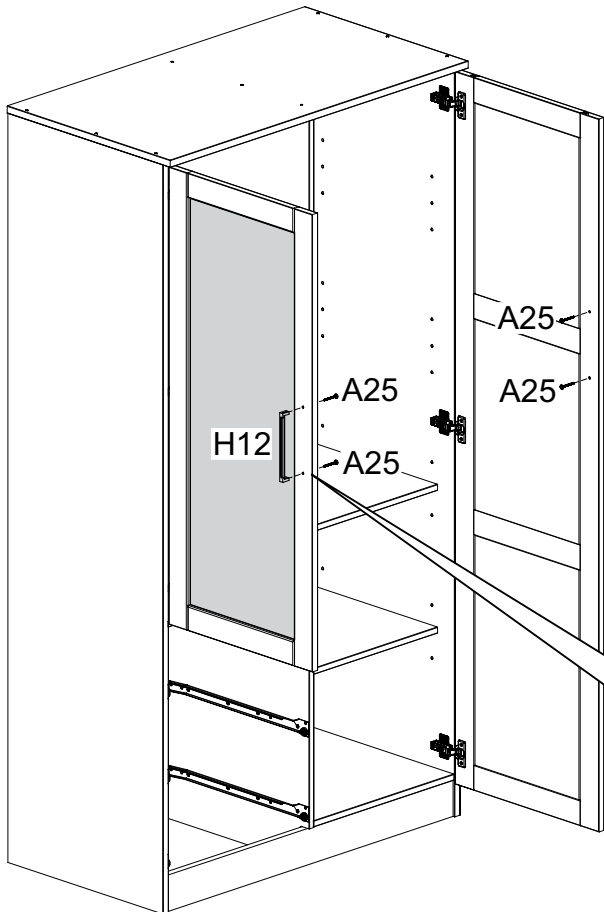



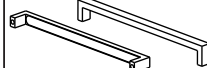
It might be necessary to adjust the hinges (F10) before hanging the doors.



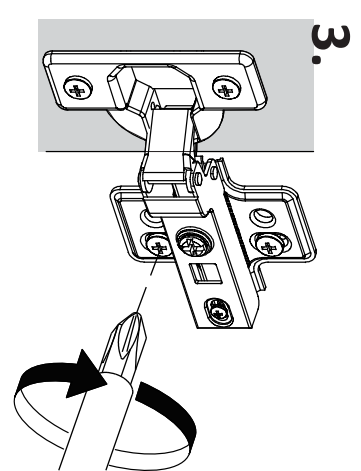
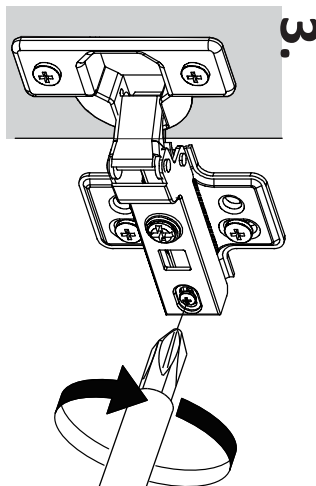
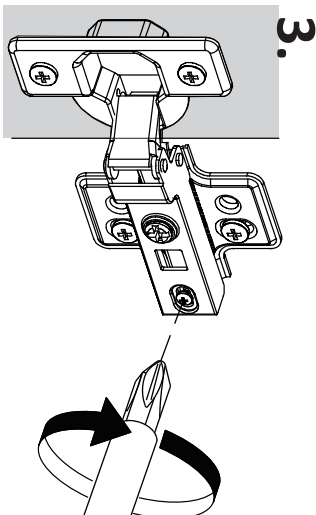
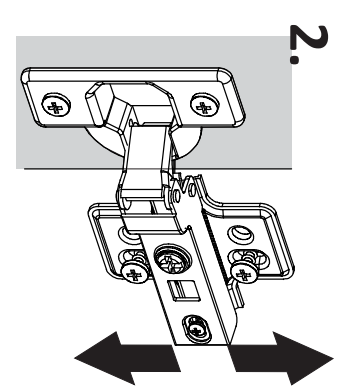
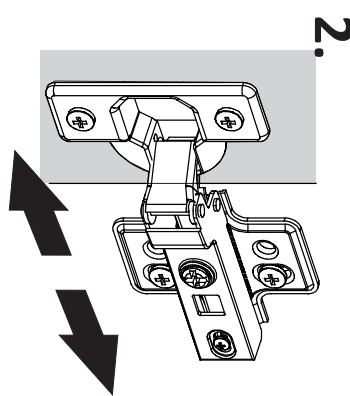
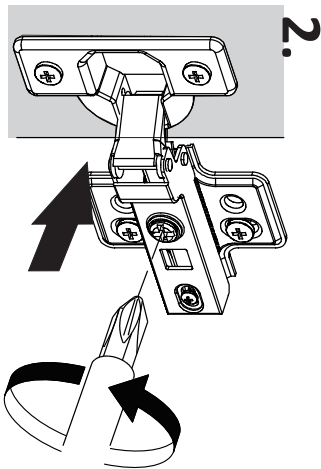
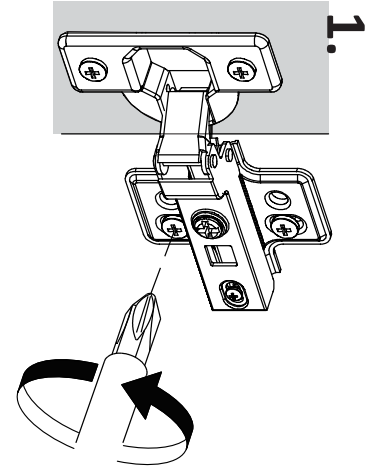
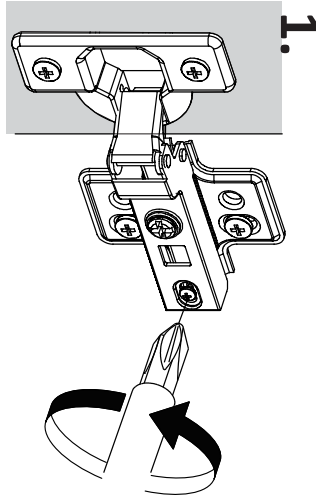
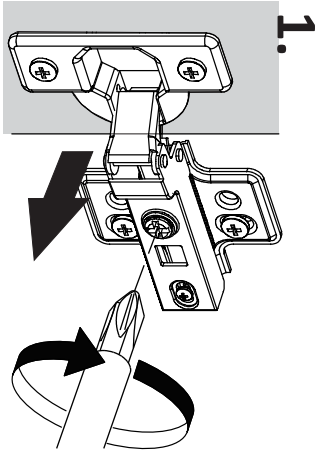
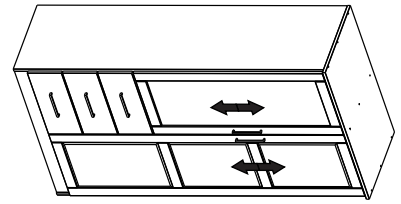
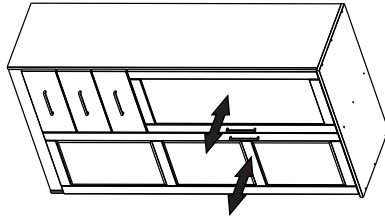
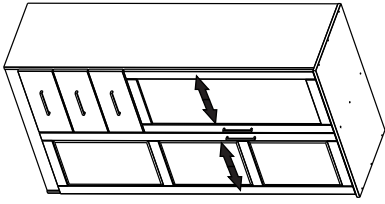
|     |   |    |
|-----|---|----|
| A44 |  | 06 |
|     | 3,5x14  |    |

# 15

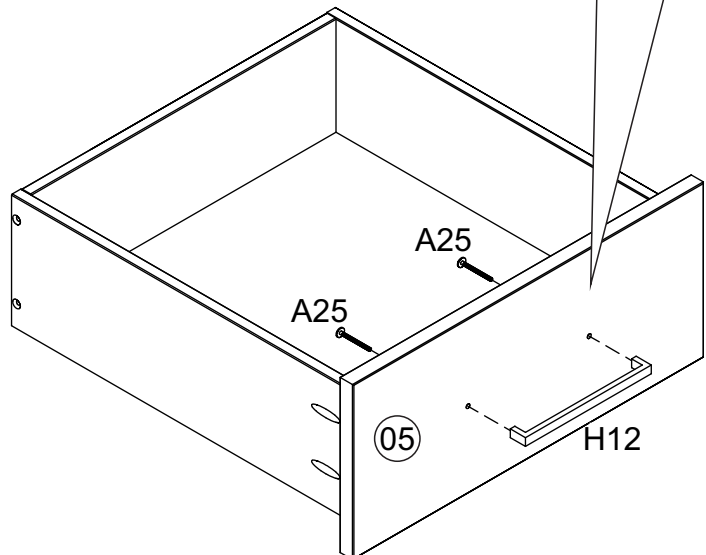
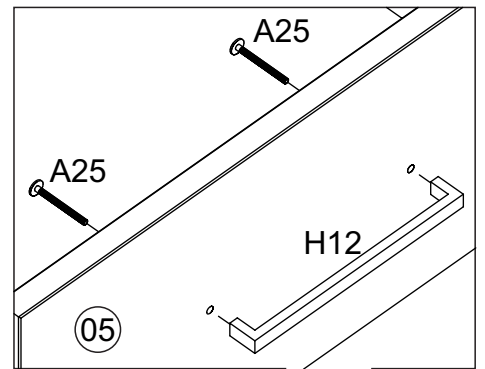
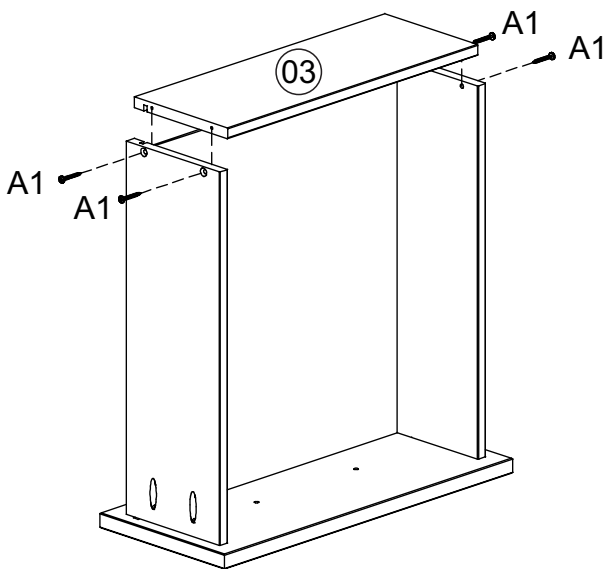
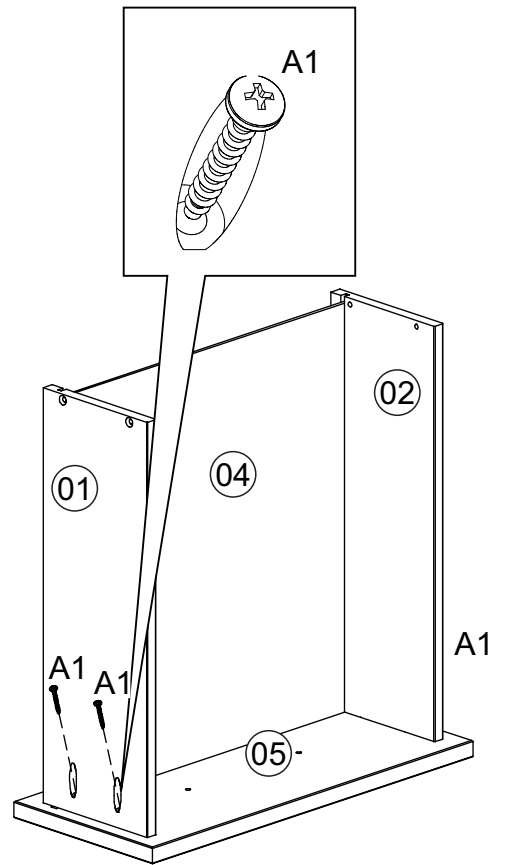
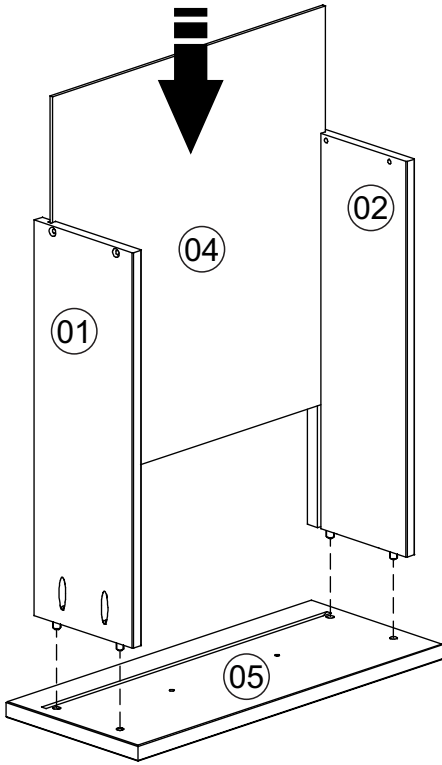


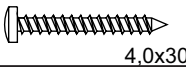


|     |   |    |     |   |    |
|-----|---|----|-----|---|----|
| A25 |  | 04 | H12 |  | 02 |
|     | M4x25   |    |     |   |    |

16)

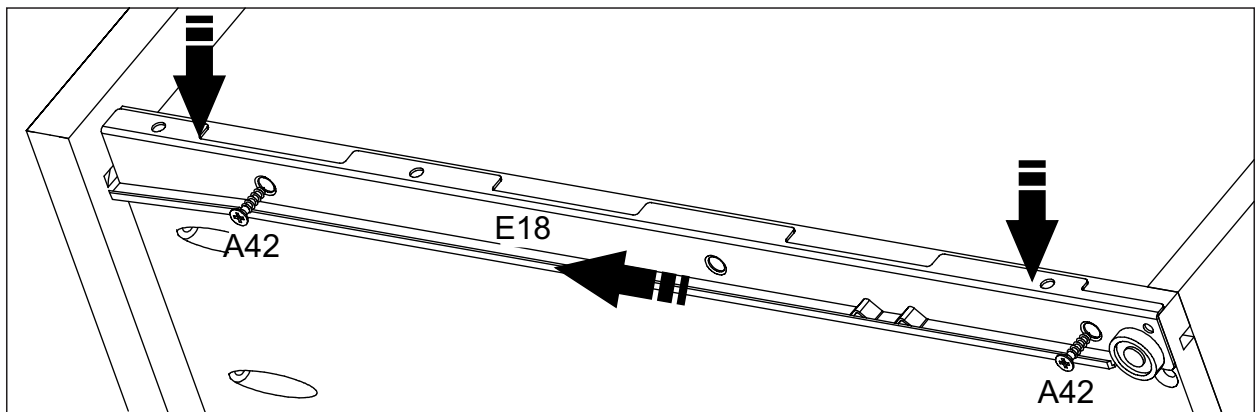
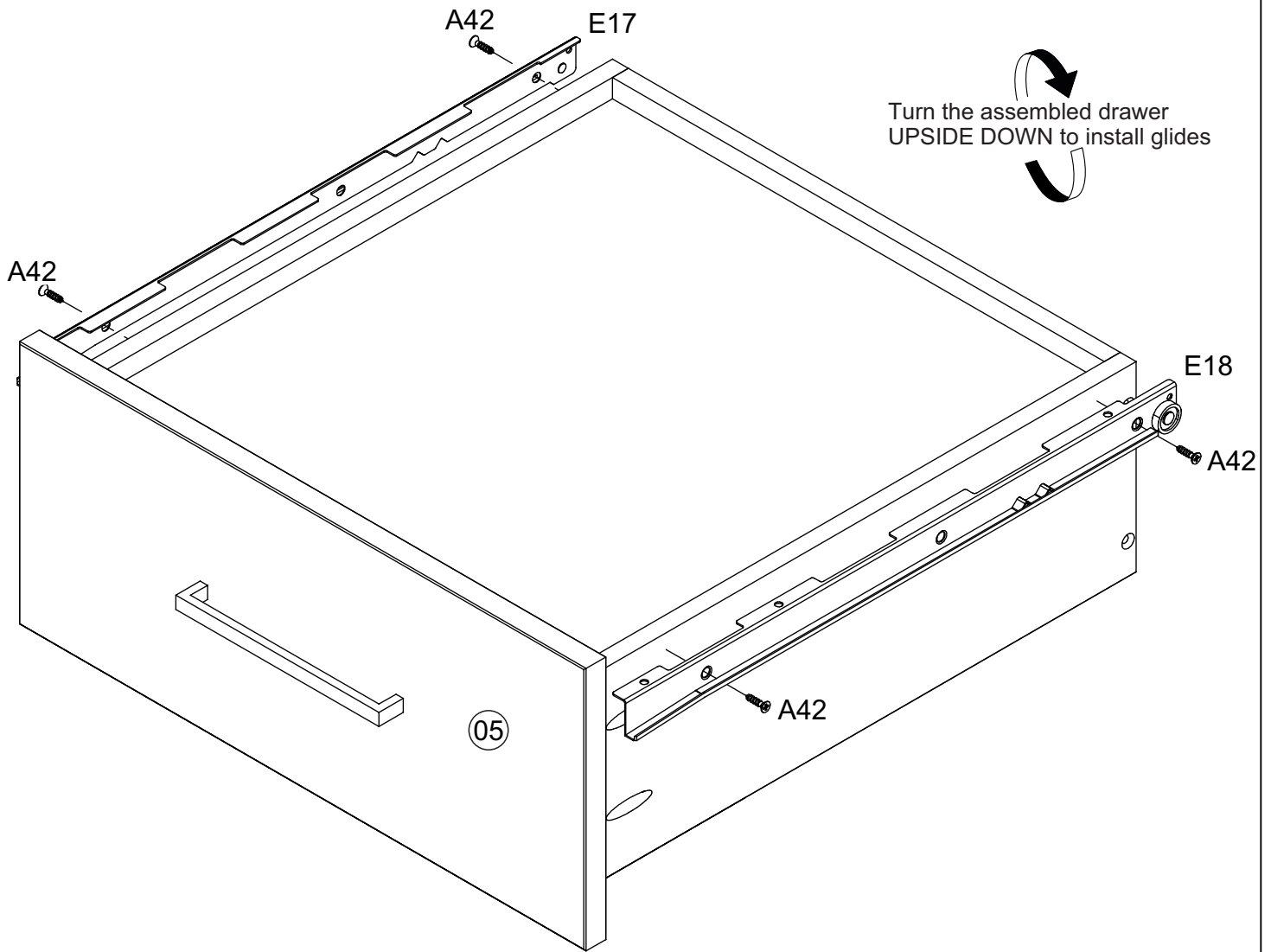
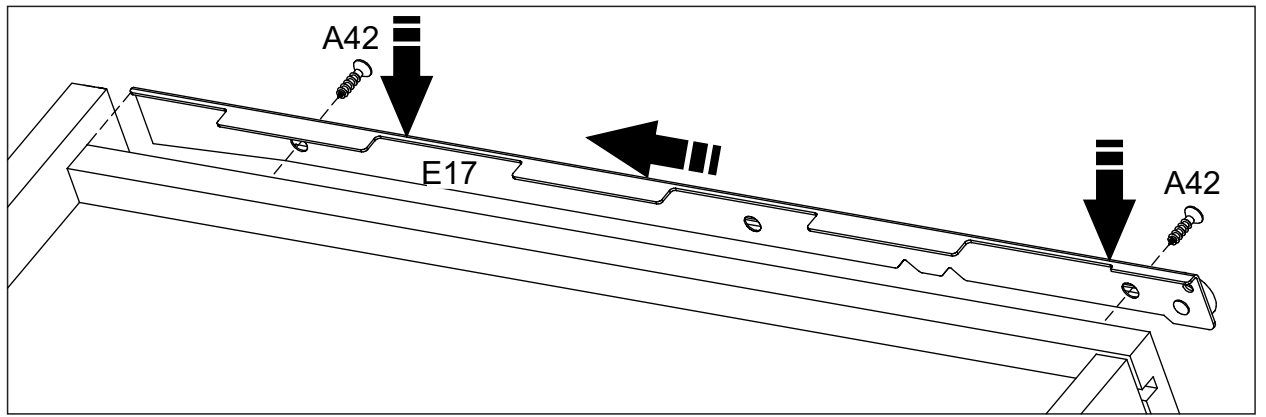



17) 3x



|     |   |    |
|-----|---|----|
| A1  | <br>4.0x30 | 24 |
| A25 | <br>M4x25  | 06 |
| H12 |            | 03 |

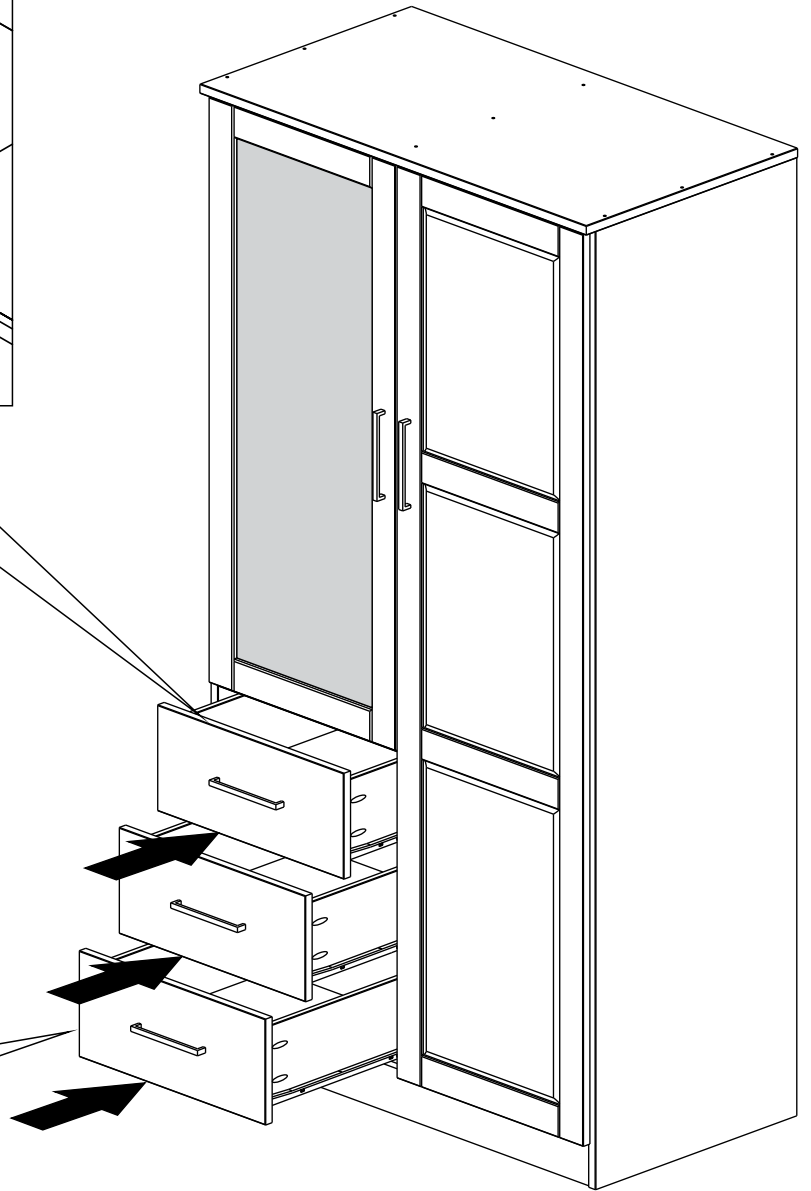
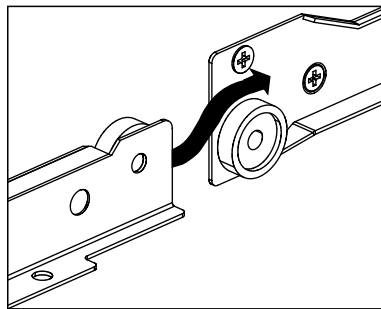
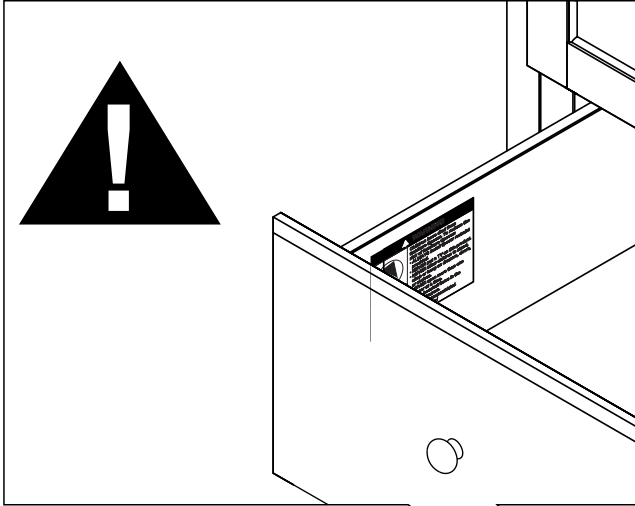
18) 3x



|     |   |    |     |                                       |    |     |                                      |    |
|-----|---|----|-----|---------------------------------------|----|-----|--------------------------------------|----|
| A42 |  | 12 | E17 | Drawer RIGHT glide<br>450mm - 17 3/4" | 03 | E18 | Drawer LEFT glide<br>450mm - 17 3/4" | 03 |
|-----|---|----|-----|---------------------------------------|----|-----|--------------------------------------|----|

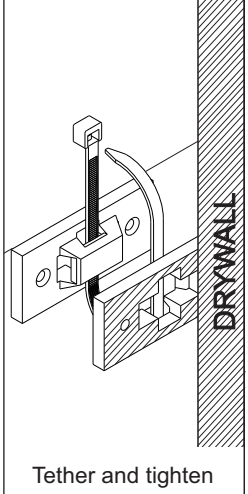
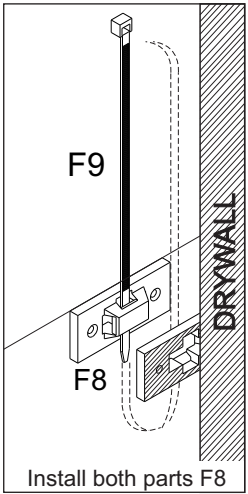
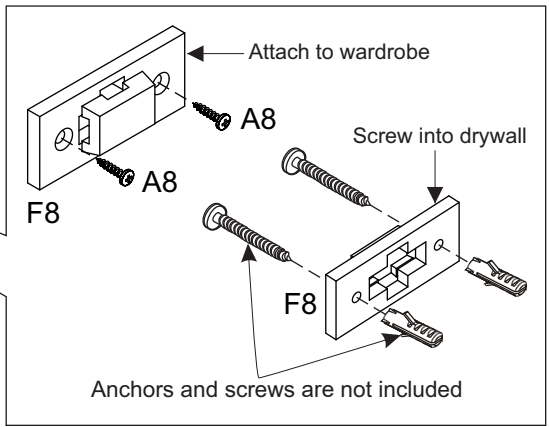
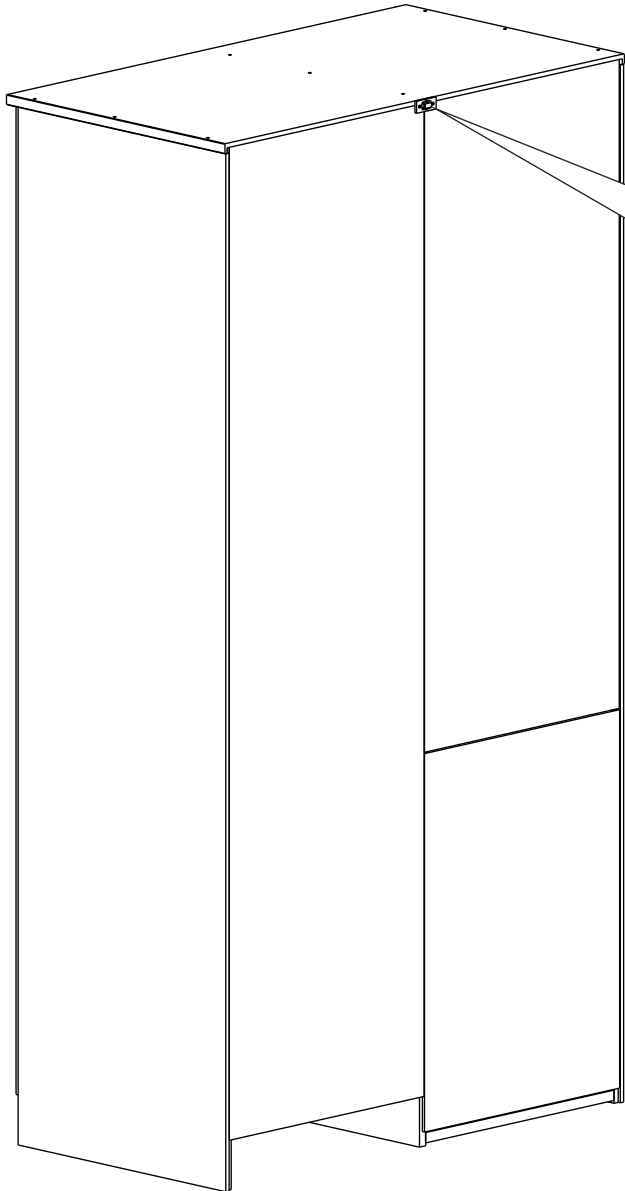
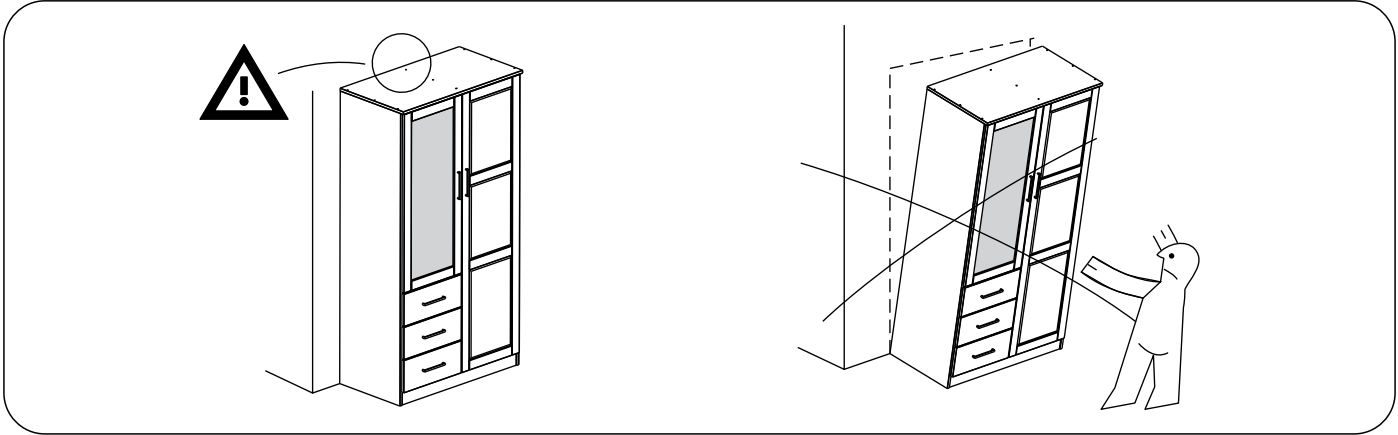
19)

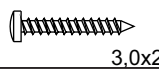
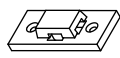

Place the labeled drawer at the top



20)

# FURNITURE TIPOVER PREVENTION KIT INSTALLATION



|    |   |    |
|----|---|----|
| A8 | <br>3.0x20 | 02 |
| F8 |            | 02 |
| F9 |            | 01 |