

Storage Cabinet A

User Manual

INTRODUCTION

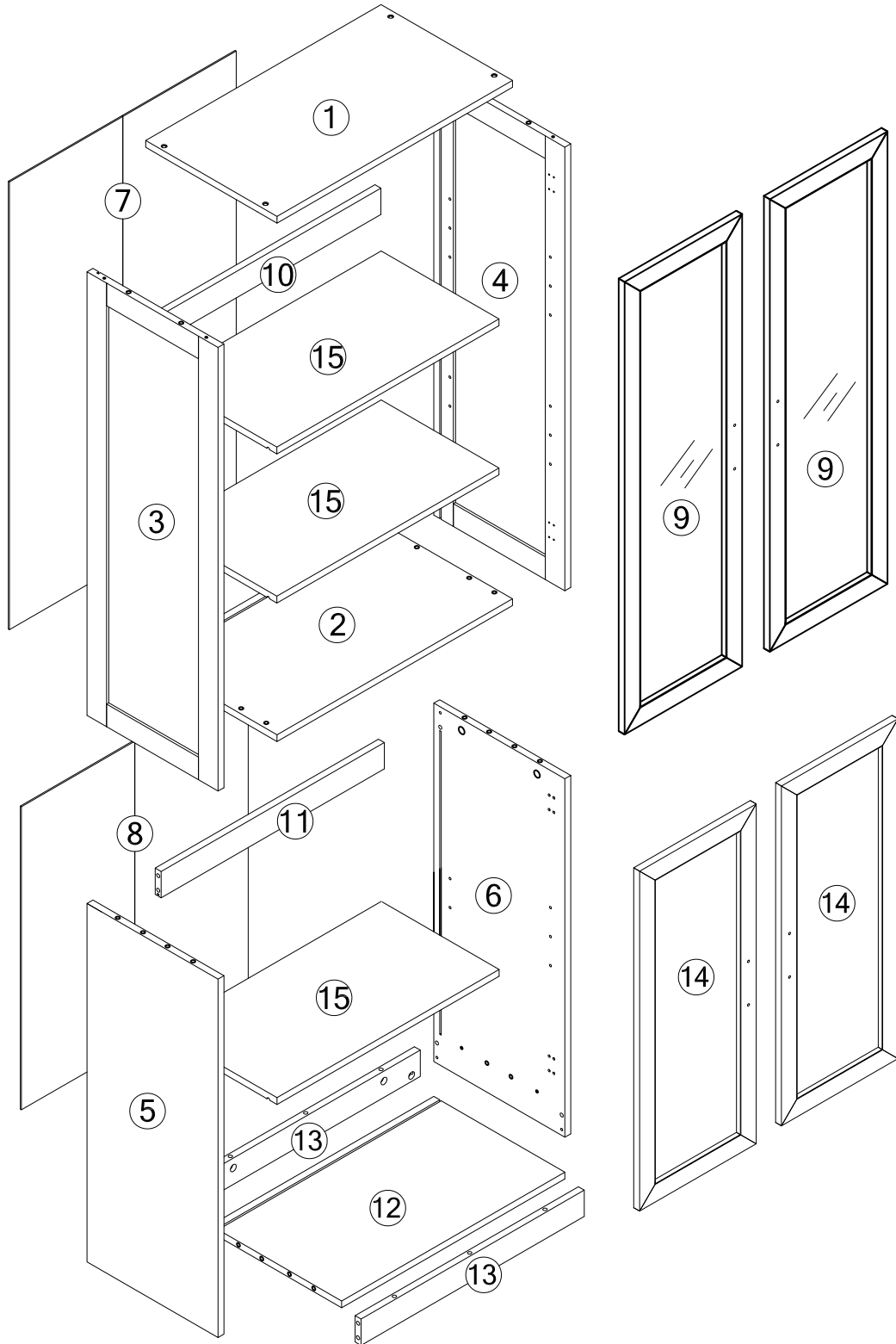
Thank you for purchasing our products. Committed to providing customers with the best quality products and service has always been our lifelong goal. Before using the product, please read this instruction manual carefully to ensure correct use. Keep the instruction manual in a place where the user can find it at any time.

PRECAUTIONS

1. There are many components and accessories in the package. Each component and accessory is labeled with a letter or a number, check carefully before using any of them. Keep them away from children to prevent accidents.
Please install the product on a clean and soft underlay (such as carpet or cardboard) to avoid scratching or damaging the surface of the product.
2. The main components of the product is relatively heavy. Please pay attention to safety during installation.
3. The product is not stable during installation. Please do not move it randomly before it is completely installed.
4. If you have any questions during installation, please contact the customer service in time.

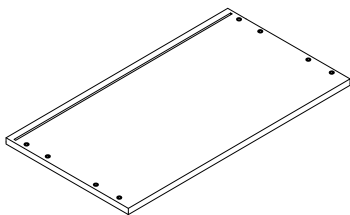
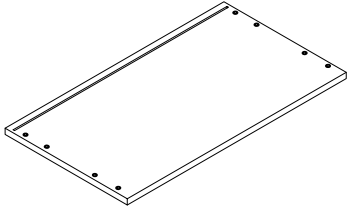
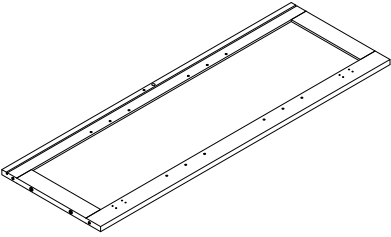
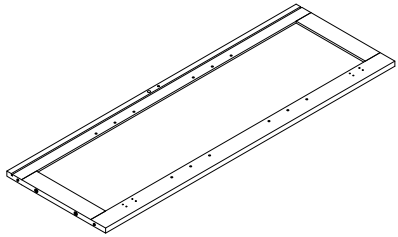
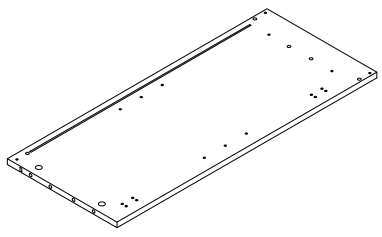
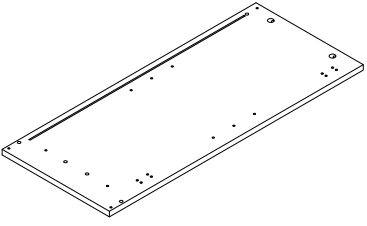
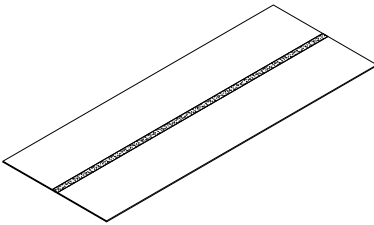
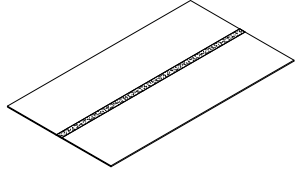
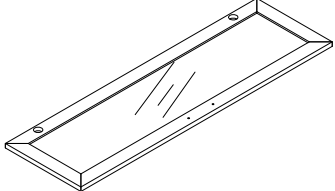
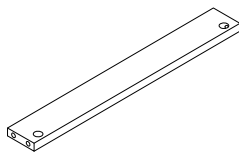
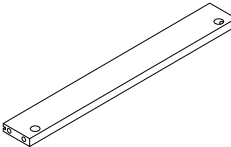
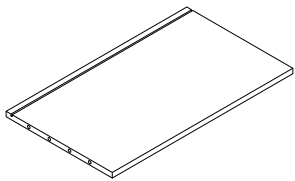
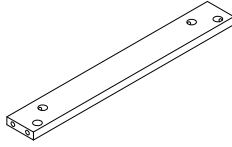
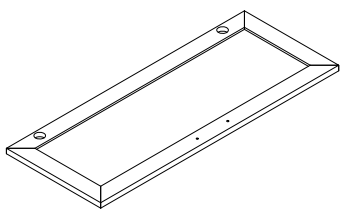
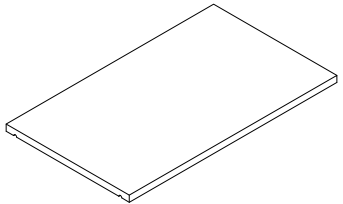
*PLEASE BE SURE TO FOLLOW THE INSTALLATION STEPS IN THE MANUAL TO AVOID UNNECESSARY LOSSES CAUSED BY IMPROPER INSTALLATION.

*IF YOU NEED FURTHER ASSISTANCE, PLEASE CONTACT THE CUSTOMER SERVICE ONLINE.

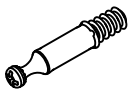


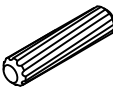


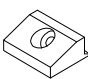

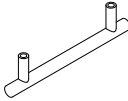
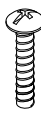
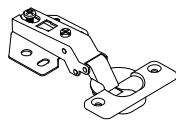
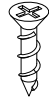


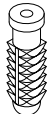
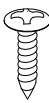
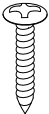
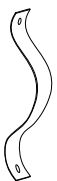


PARTS LIST

Unit(mm)

| | | |
|--|---|---|
| <p>① 600*335*15</p>  <p>x1</p> | <p>② 600*335*15</p>  <p>x1</p> | <p>③ 979*334*15</p>  <p>x1</p> |
| <p>④ 979*334*15</p>  <p>x1</p> | <p>⑤ 791*334*15</p>  <p>x1</p> | <p>⑥ 791*334*15</p>  <p>x1</p> |
| <p>⑦ 988*289*3</p>  <p>x2</p> | <p>⑧ 669*289*3</p>  <p>x2</p> | <p>⑨ 990*297*15</p>  <p>x2</p> |
| <p>⑩ 569*58*15</p>  <p>x1</p> | <p>⑪ 569*58*15</p>  <p>x1</p> | <p>⑫ 569*334*15</p>  <p>x1</p> |
| <p>⑬ 569*58*15</p>  <p>x2</p> | <p>⑭ 750*297*15</p>  <p>x2</p> | <p>⑮ 566*300*12</p>  <p>x3</p> |
| | | |

HARDWARES LIST

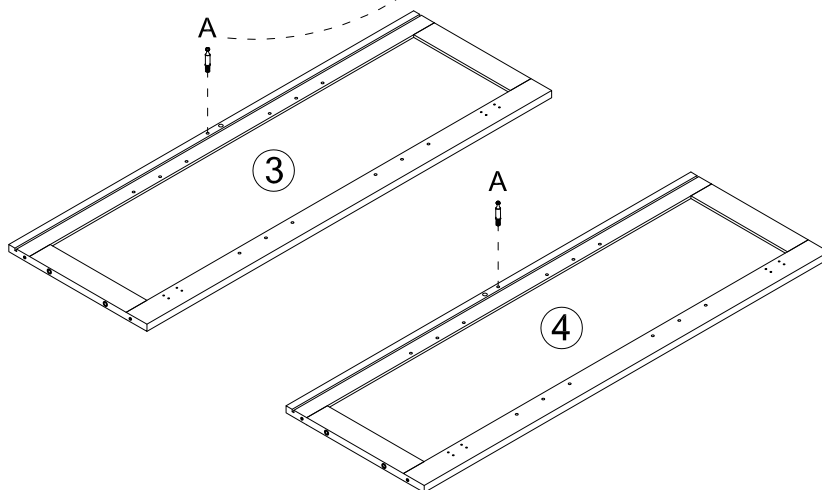
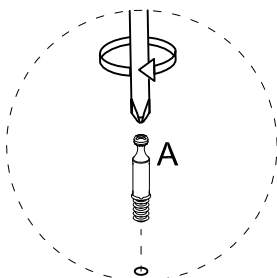
| | | | | | |
|---|--|--|---|---|---|
| <p>A Ø5*25mm</p>  <p>x20 pcs</p> | <p>B Ø15*11mm</p>  <p>x20 pcs</p> | <p>C Ø23mm</p>  <p>x20 pcs</p> | <p>D Ø8*30mm</p>  <p>x26 pcs</p> | <p>E Ø5x16mm</p>  <p>x12 pcs</p> | <p>F Ø6*50mm</p>  <p>x8 pcs</p> |
| <p>G 16x16*10.5mm</p>  <p>x16pcs</p> | <p>H Ø3x17mm</p>  <p>x16 pcs</p> | <p>J 128*12*38mm</p>  <p>x4 pcs</p> | <p>K 5/32"x22mm</p>  <p>x8 pcs</p> | <p>M Buffered straight arm door hinge (outer cover)</p>  <p>x8 pcs</p> | <p>N Ø3.5*14mm</p>  <p>x48 pcs</p> |
| <p>O M4</p>  <p>x1 pcs</p> | <p>P 10g</p>  <p>x1 pc</p> | <p>Q Ø8.5x30</p>  <p>x2 pc</p> | <p>R Ø4x18</p>  <p>x2 pc</p> | <p>S Ø4x25</p>  <p>x2 pc</p> | <p>T 140x25</p>  <p>x2 pc</p> |

INSTALLATION STEPS

1

YOU WILL NEED

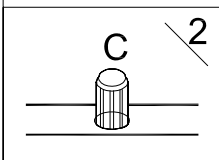
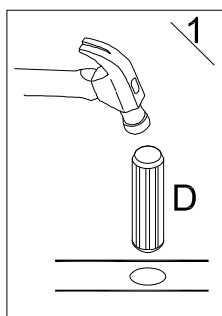
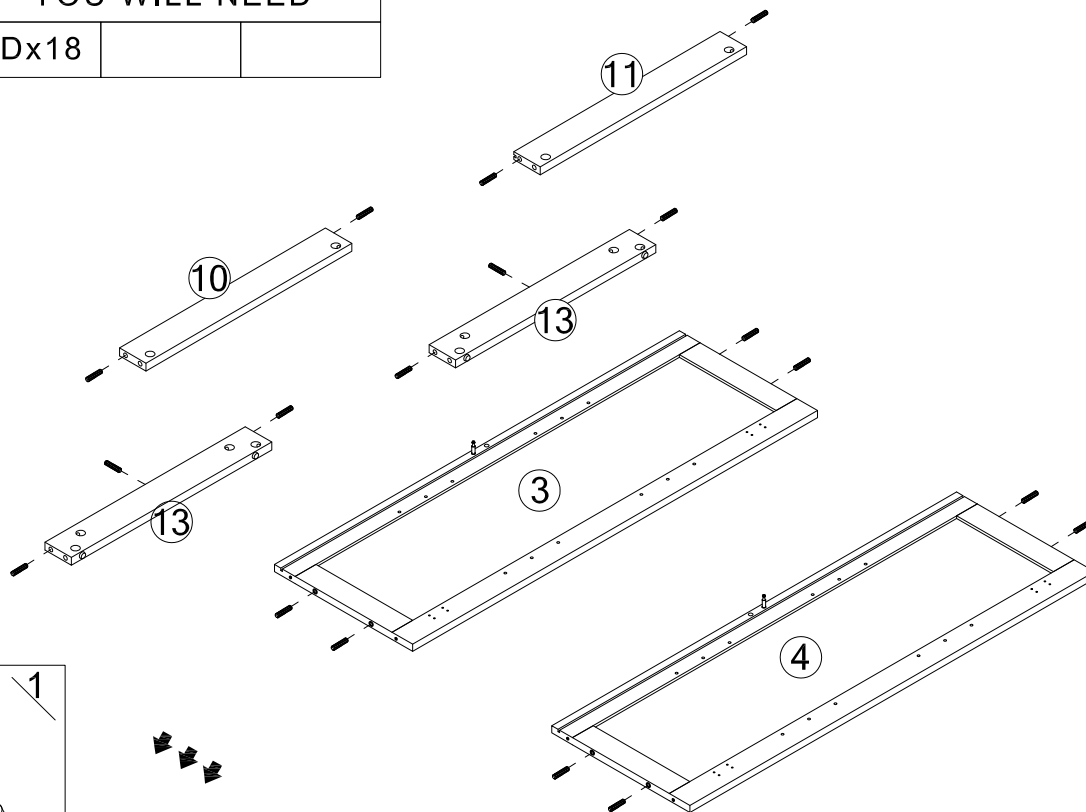
Ax2



2

YOU WILL NEED

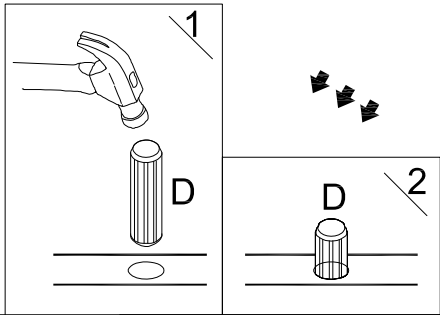
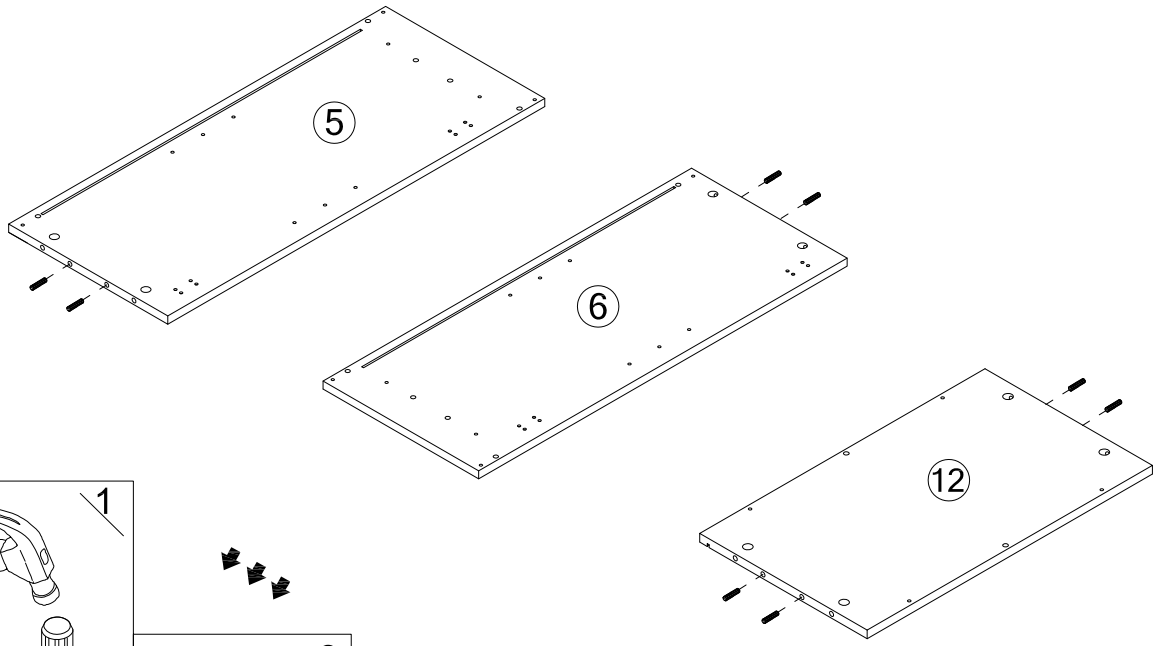
Dx18



INSTALLATION STEPS

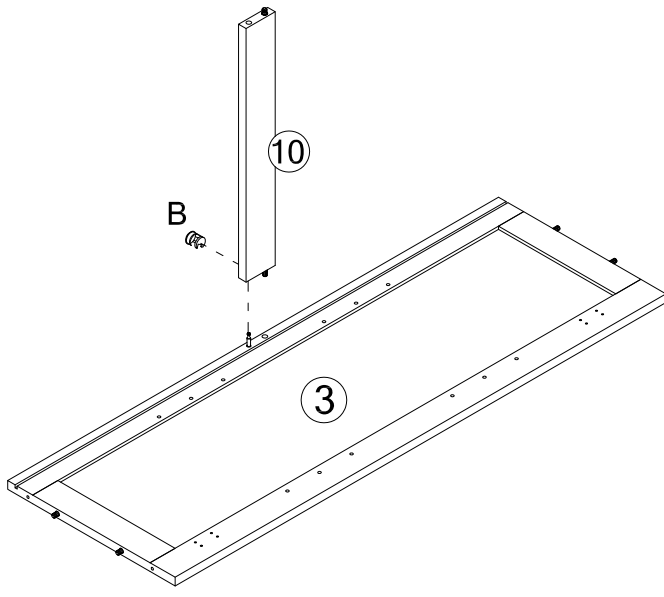
3

| YOU WILL NEED | | |
|---------------|--|--|
| Dx8 | | |



4

| YOU WILL NEED | | |
|---------------|--|--|
| Bx1 | | |

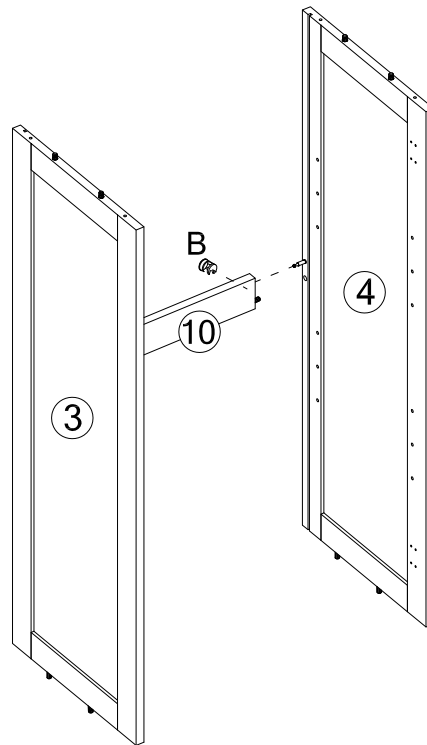


INSTALLATION STEPS

5

YOU WILL NEED

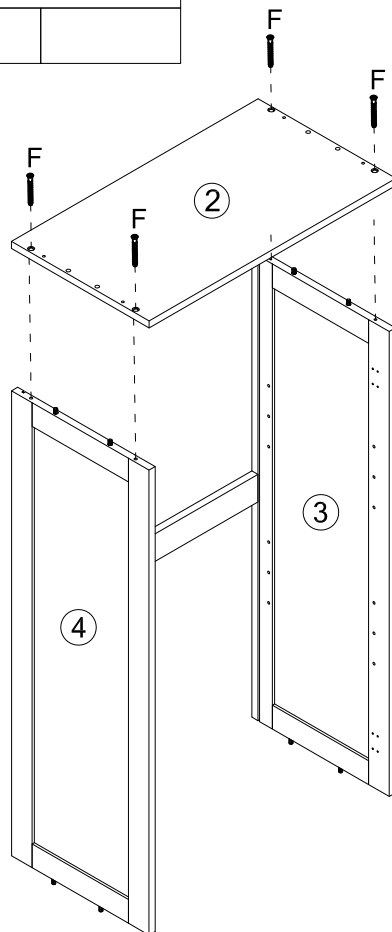
Bx1



6

YOU WILL NEED

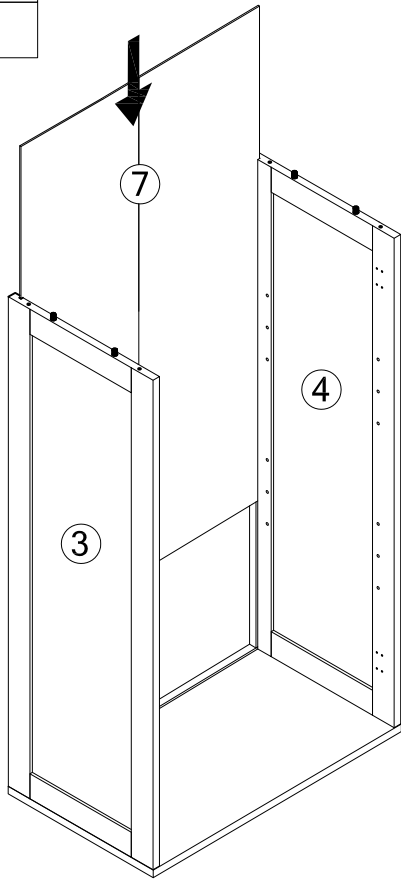
Fx4



INSTALLATION STEPS

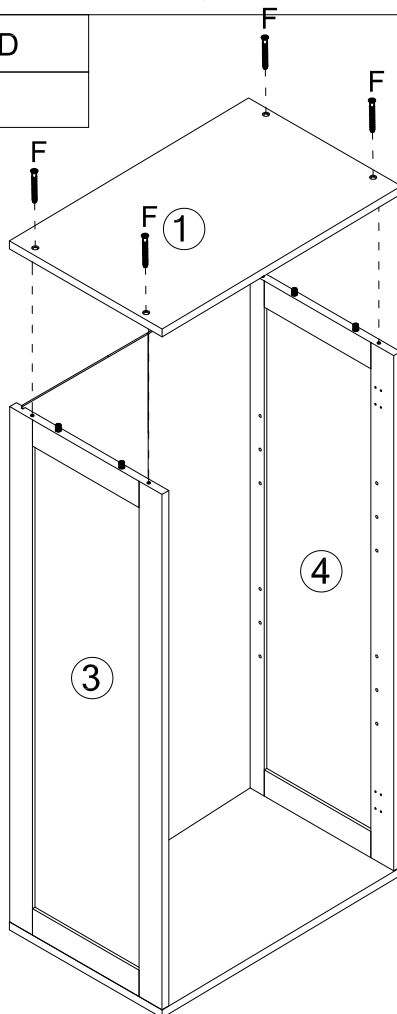
7

| YOU WILL NEED | | |
|---------------|--|--|
| | | |



8

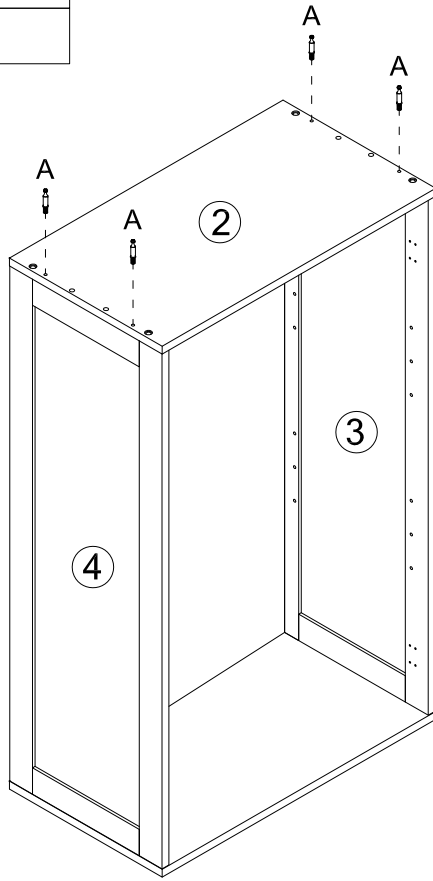
| YOU WILL NEED | | |
|---------------|--|--|
| Fx4 | | |



INSTALLATION STEPS

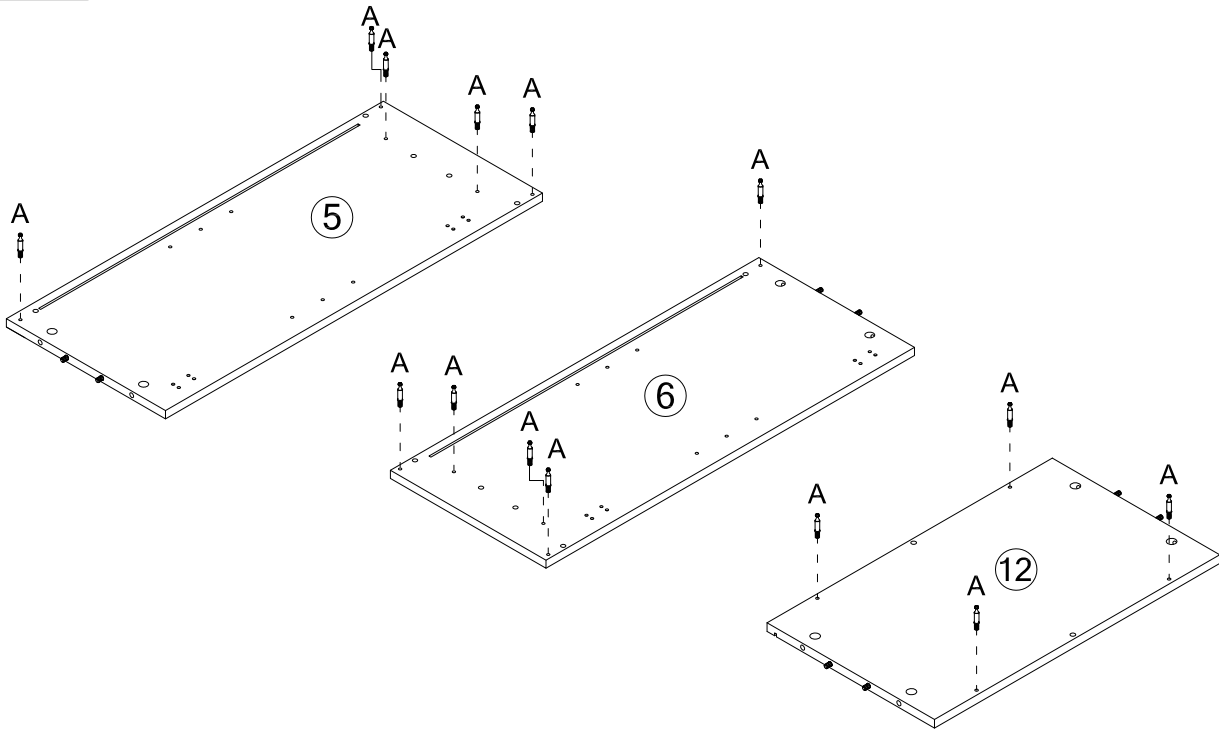
9

| YOU WILL NEED | | |
|---------------|--|--|
| Ax4 | | |



10

| YOU WILL NEED | | |
|---------------|--|--|
| Ax14 | | |

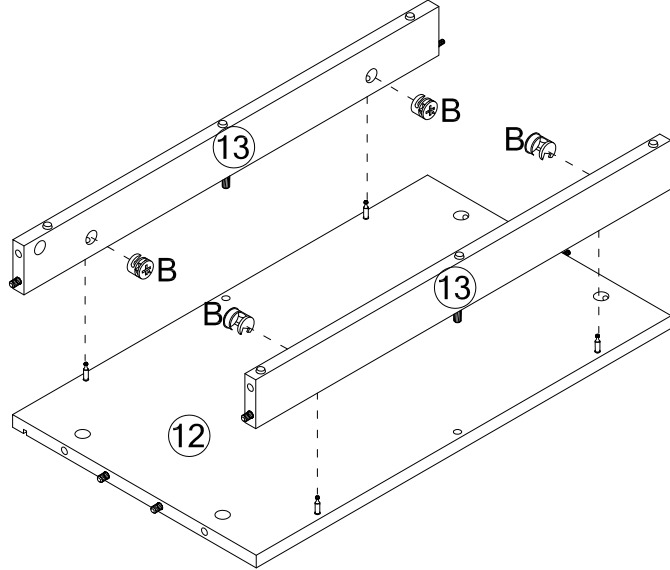


INSTALLATION STEPS

11

YOU WILL NEED

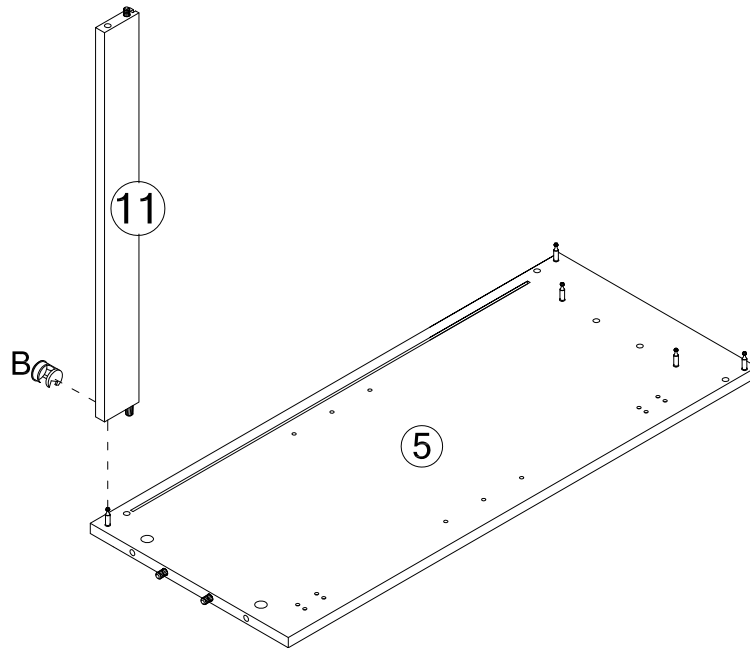
Bx4



12

YOU WILL NEED

Bx1

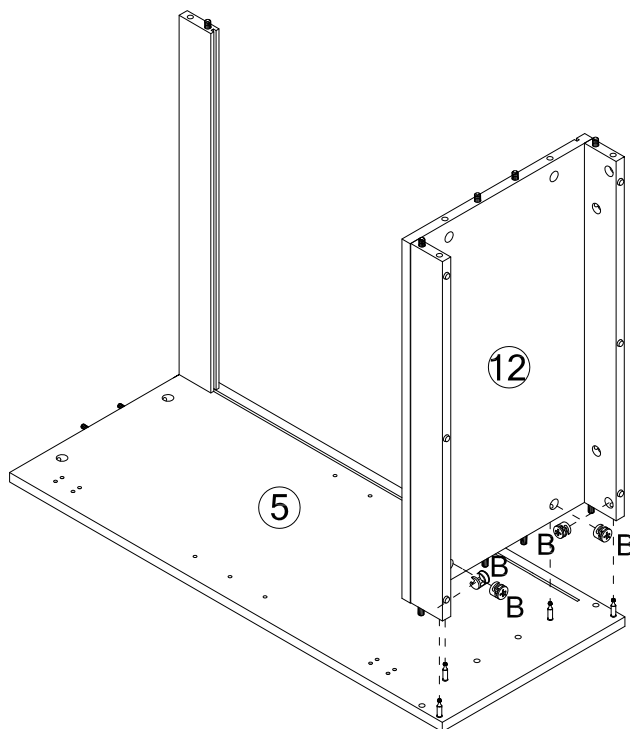


INSTALLATION STEPS

13

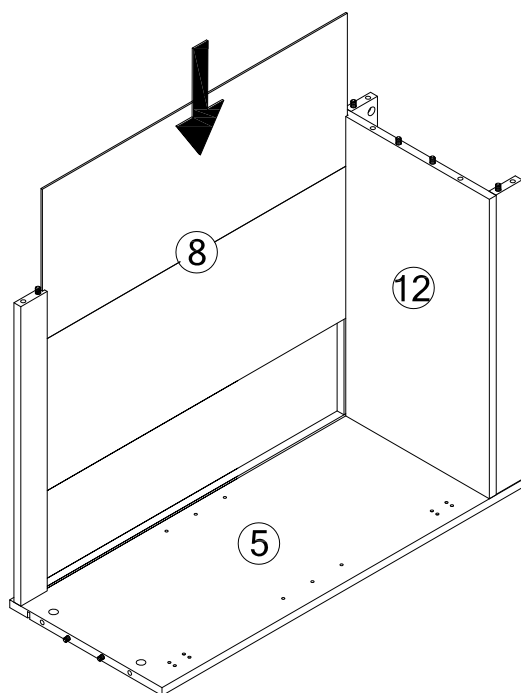
YOU WILL NEED

| | | |
|-----|--|--|
| Bx4 | | |
|-----|--|--|



14

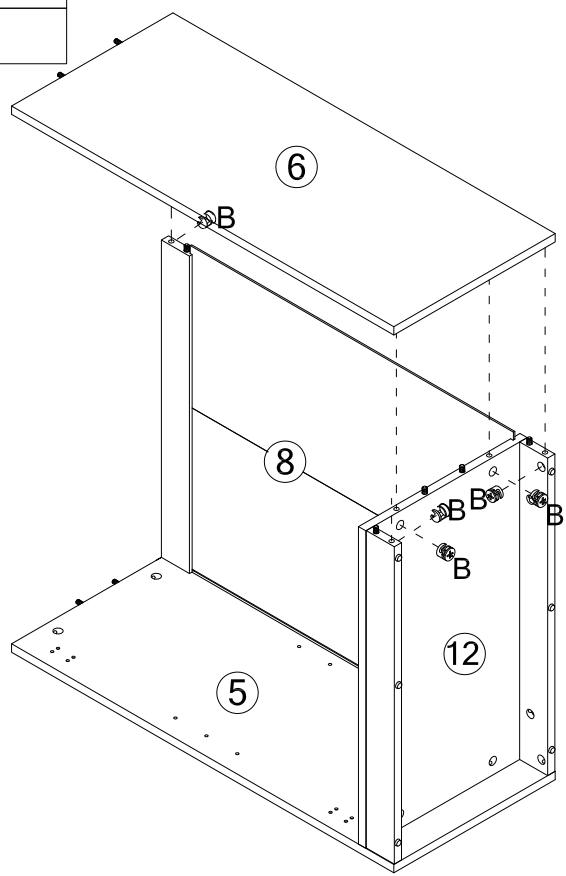
YOU WILL NEED



INSTALLATION STEPS

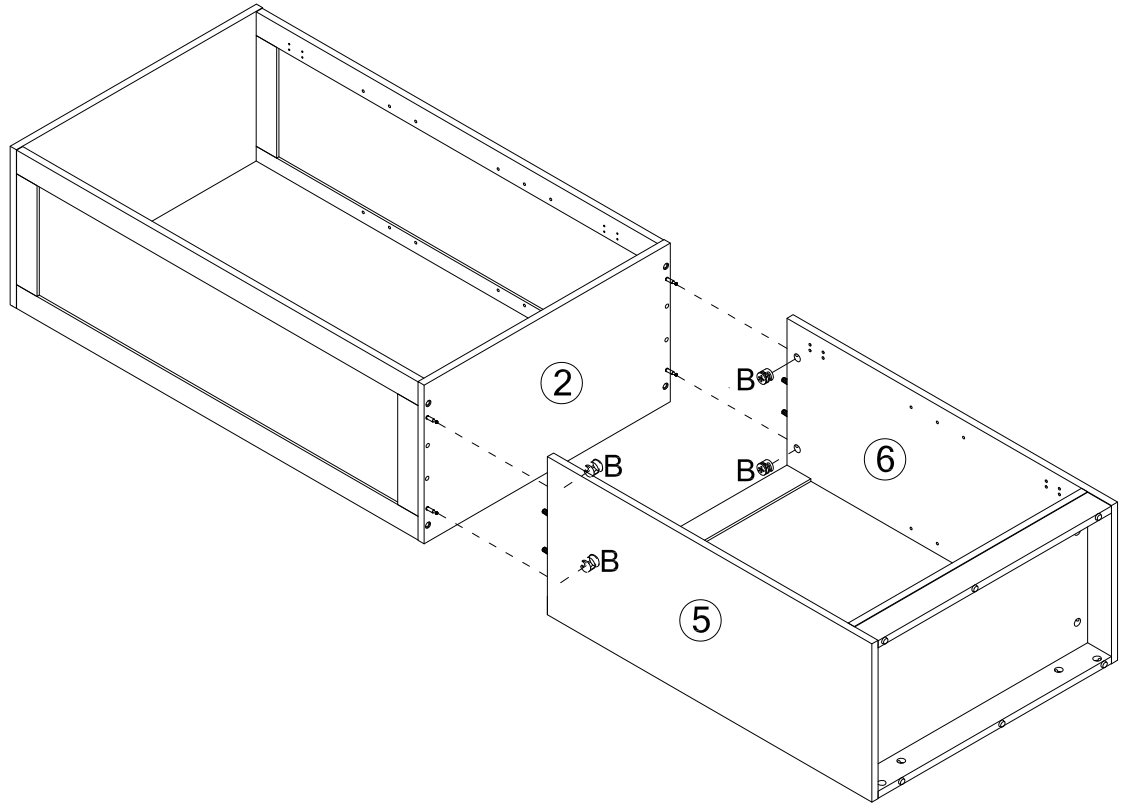
15

| YOU WILL NEED | | |
|---------------|--|--|
| Bx5 | | |



16

| YOU WILL NEED | | |
|---------------|--|--|
| Bx4 | | |



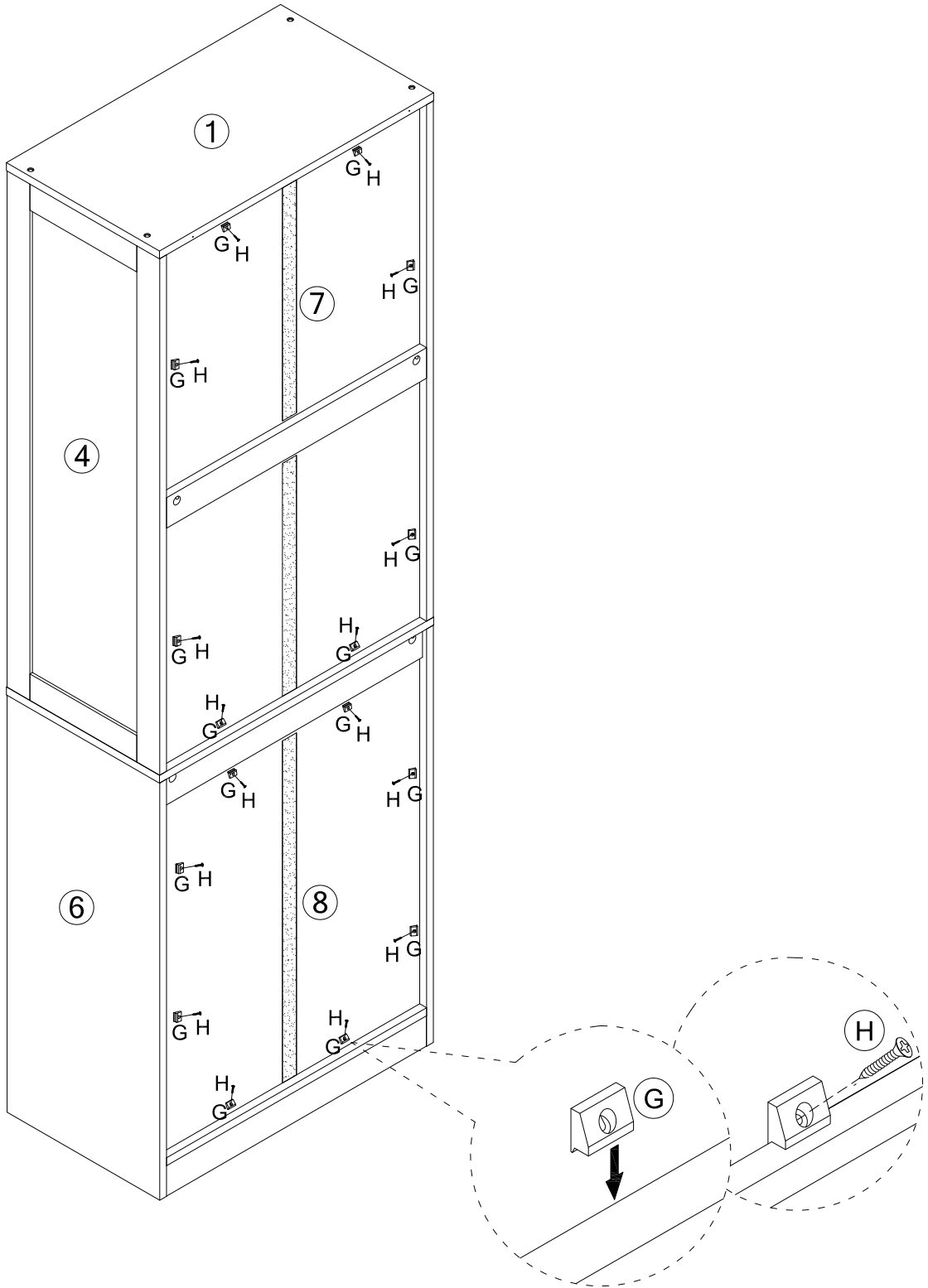
INSTALLATION STEPS

17

YOU WILL NEED

Gx16

Hx16

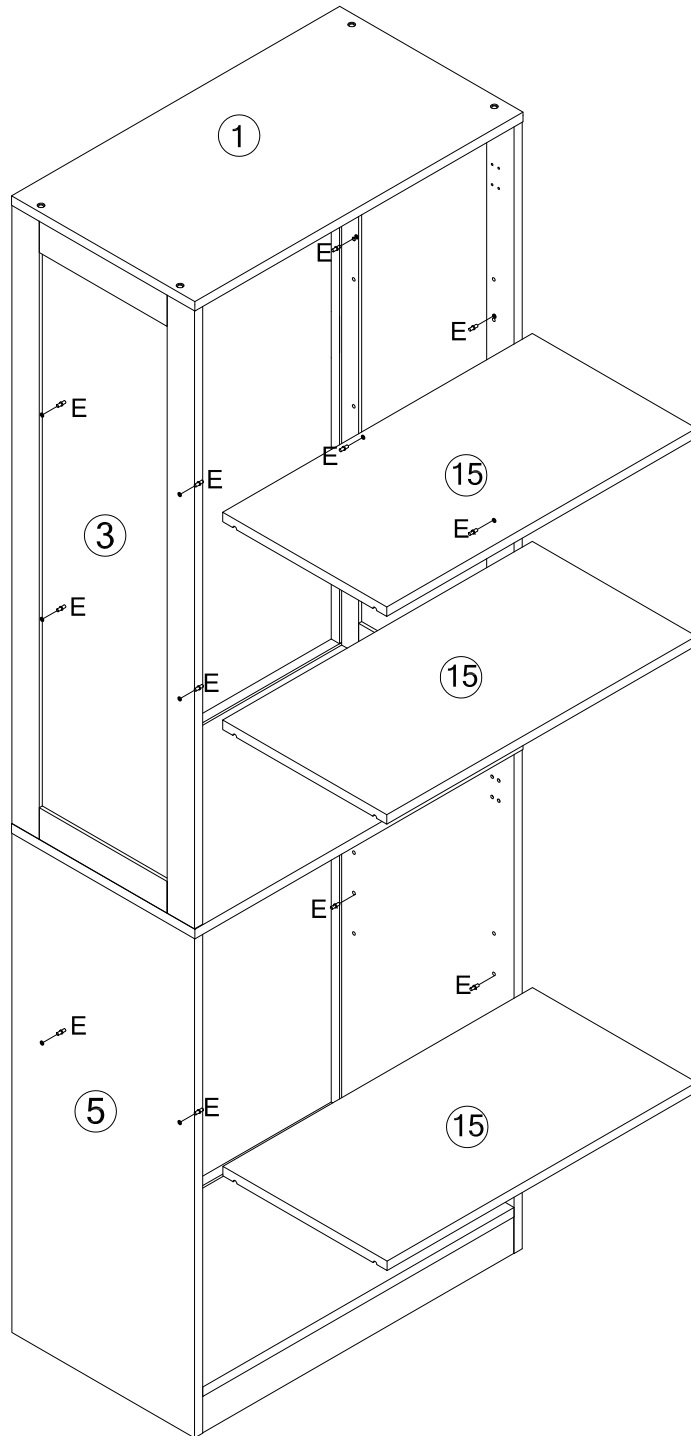


INSTALLATION STEPS

18

YOU WILL NEED

Ex12



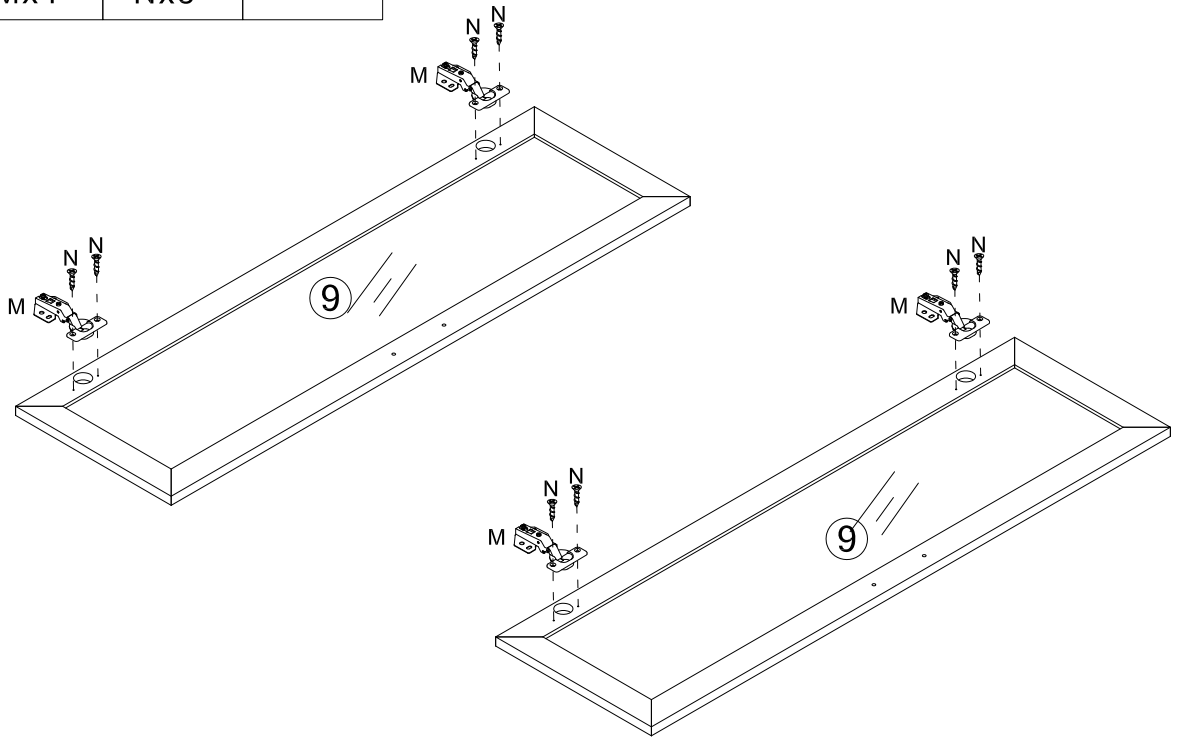
INSTALLATION STEPS

19

YOU WILL NEED

Mx4

Nx8

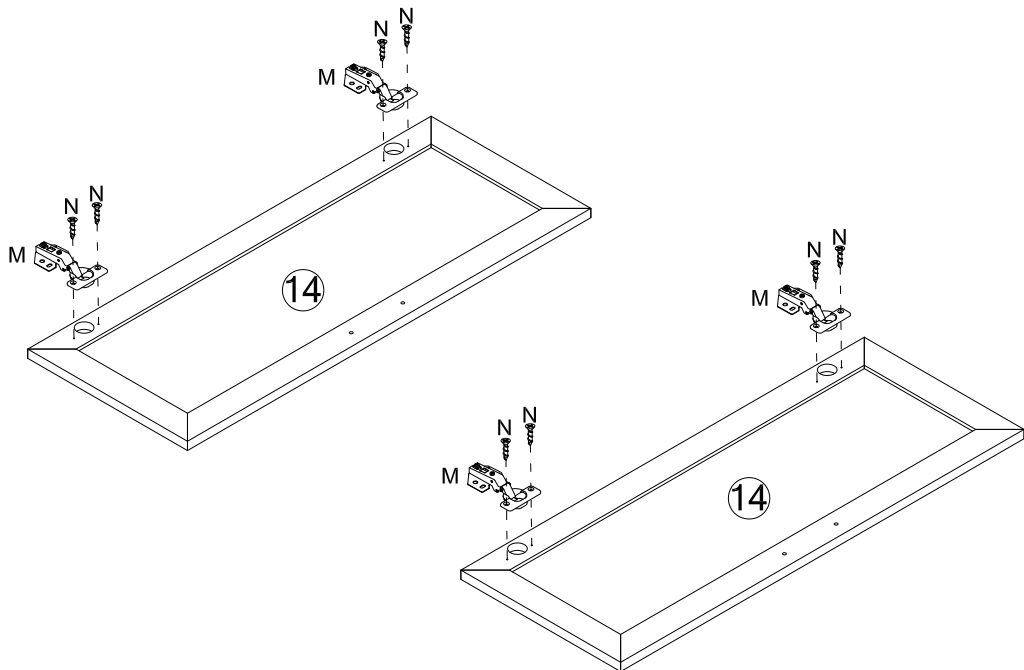


20

YOU WILL NEED

Mx4

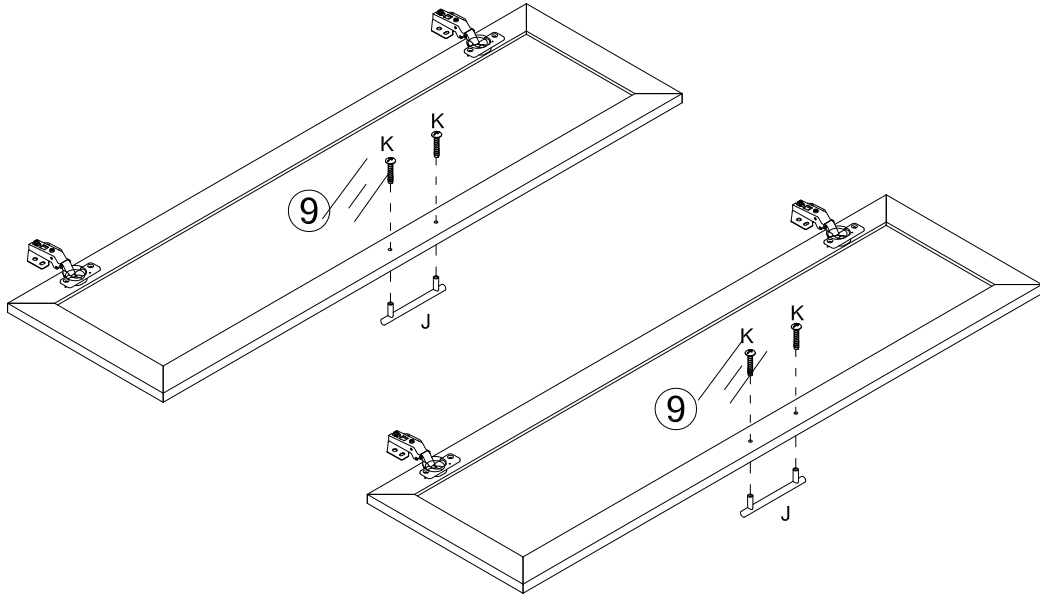
Nx8



INSTALLATION STEPS

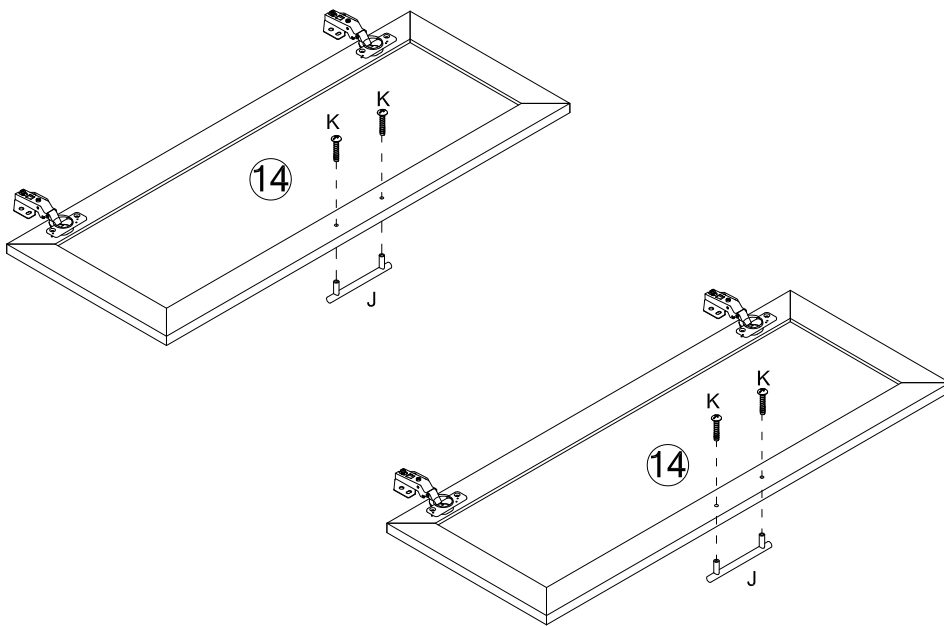
21

| YOU WILL NEED | | |
|---------------|-----|--|
| Jx2 | Kx4 | |



22

| YOU WILL NEED | | |
|---------------|-----|--|
| Jx2 | Kx4 | |

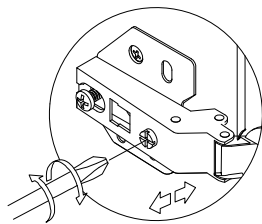
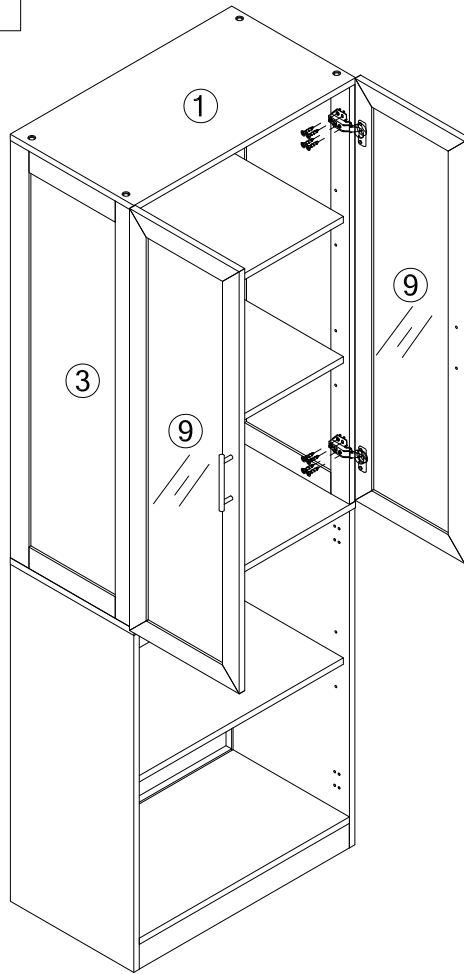
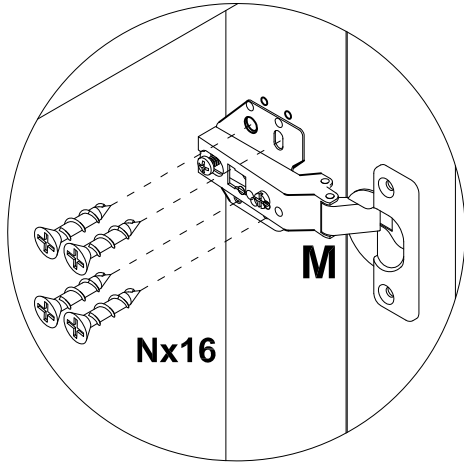


INSTALLATION STEPS

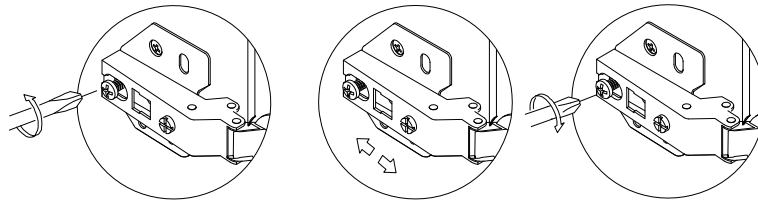
23

YOU WILL NEED

Nx16



This is used to adjust the door panel in the left and right direction.



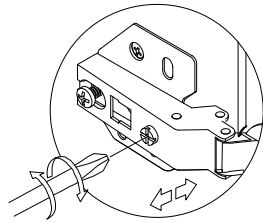
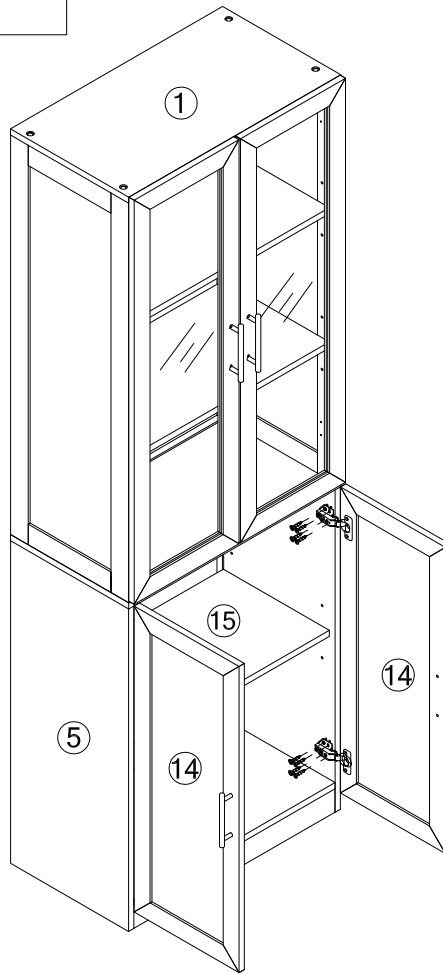
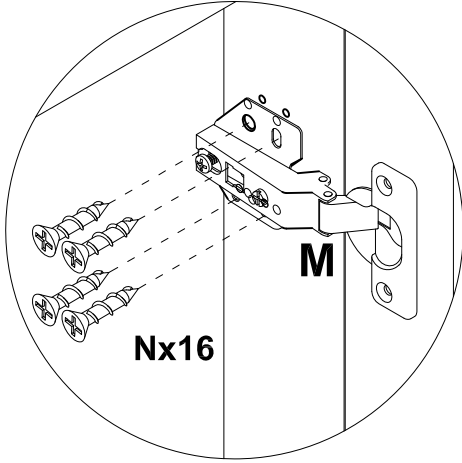
This is used to adjust the door panel in the front and back direction: Loosen screws of I according to the diagram, and then tighten screw after adjusting the door panel to the proper position.

INSTALLATION STEPS

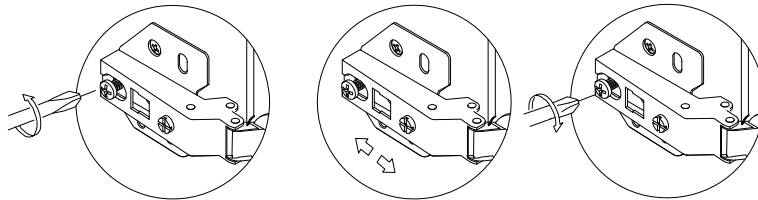
24

YOU WILL NEED

Nx16



This is used to adjust the door panel in the left and right direction.

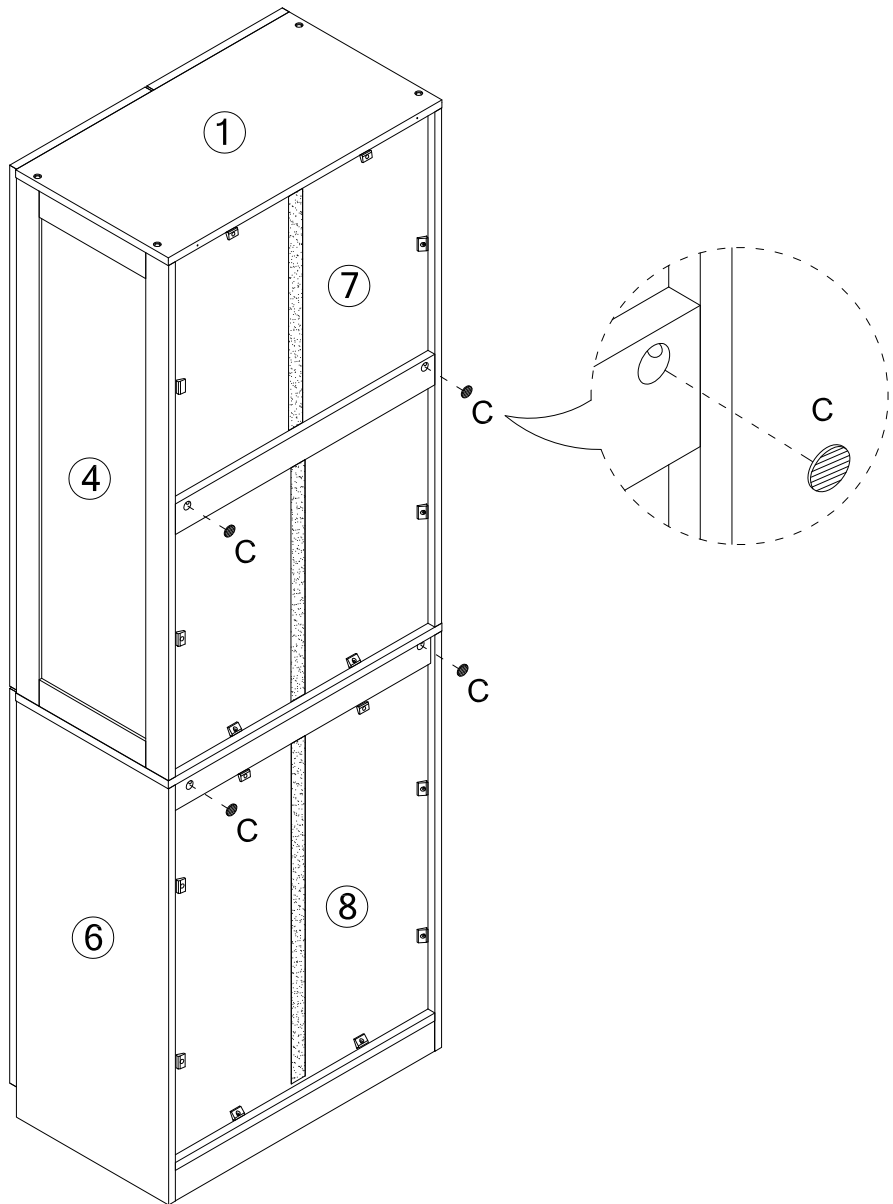


This is used to adjust the door panel in the front and back direction: Loosen screws of I according to the diagram, and then tighten screw after adjusting the door panel to the proper position.

INSTALLATION STEPS

25

| YOU WILL NEED | | |
|---------------|--|--|
| Cx20 | | |



INSTALLATION STEPS

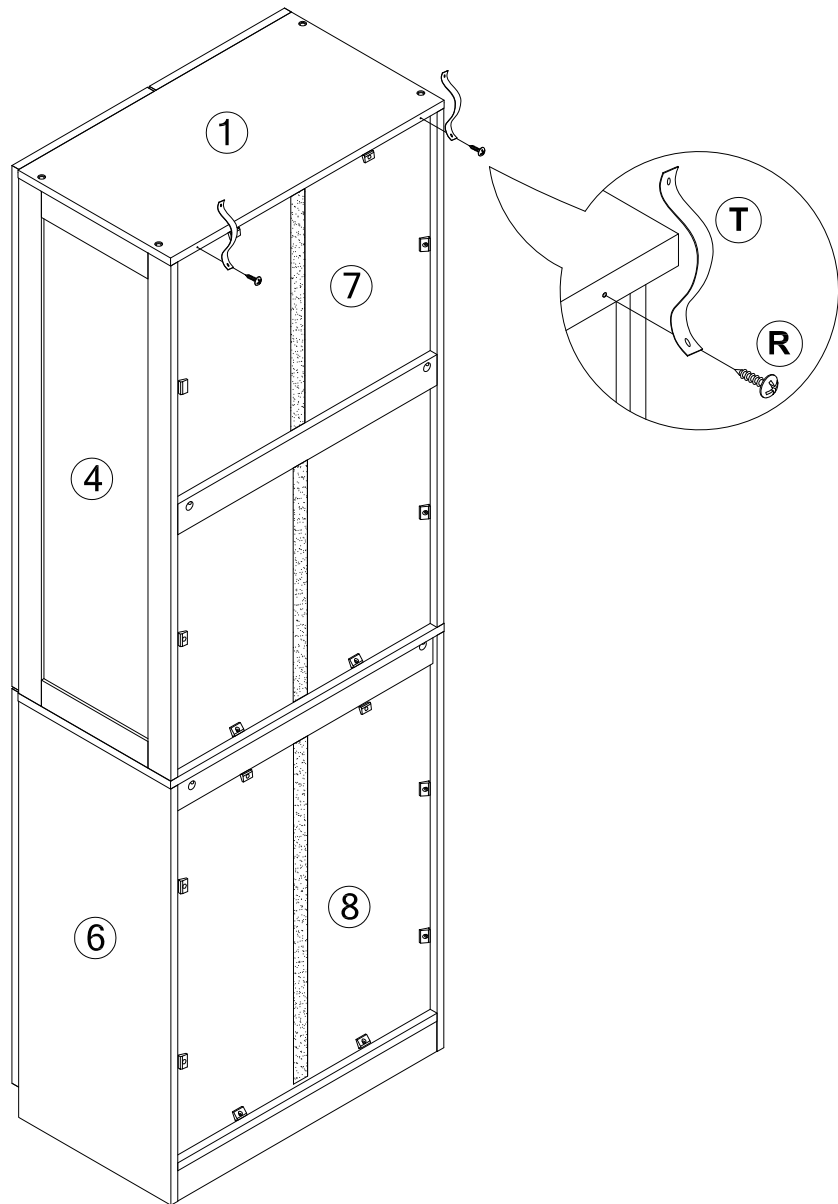
26

YOU WILL NEED

Tx2

Rx2

Attach anti-tipping straps to the back of the sideboard.



INSTALLATION STEPS

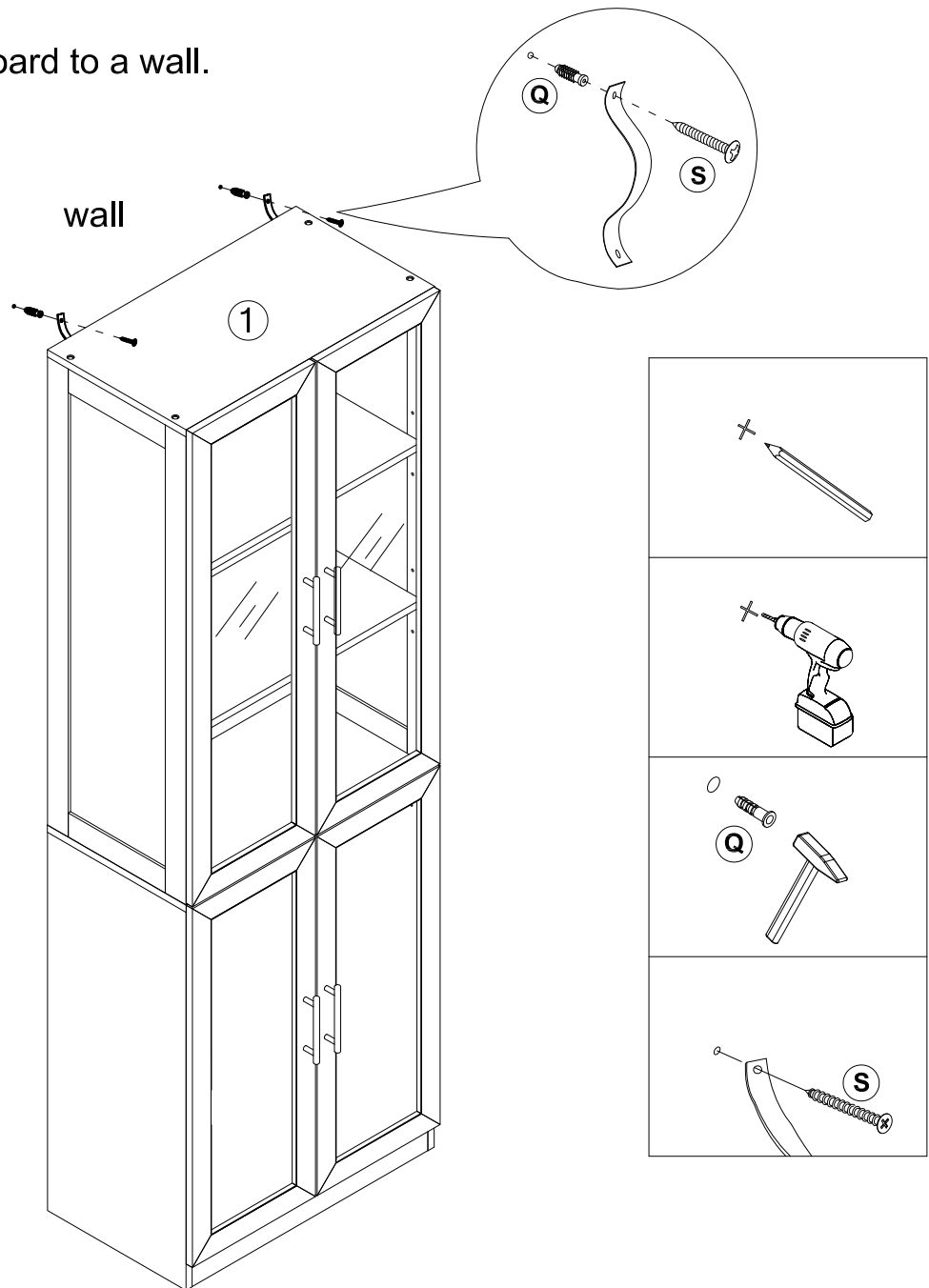
27

YOU WILL NEED

Qx2

Sx2

Affix the sideboard to a wall.



Furniture must permanently fixed to the wall stud with included anti-tipping device to prevent the furniture from tipping over.

- Mark the drill position on the wall with a pencil.
- Drill a small hole on the marked position.
- Insert a wall anchor into the drilled hole.
- Fixed the anti-tipping strap to the wall with provided screws.