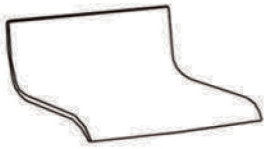


ASSEMBLY INSTRUCTION

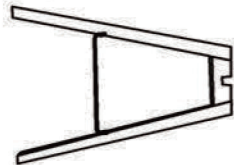
BARSTOOL

A Seat



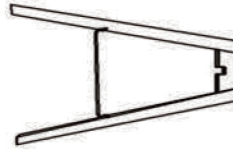
1pc

B Lower Leg Frame



1pc

C Upper Leg Frame



1pc

D Foot Rest



1pc

E Turnplate



1pc

F Screw

1/5-2/5"



4pcs

G Screw

1/5-3/4"



4pcs

H Screw

1/5-1" 1/5"



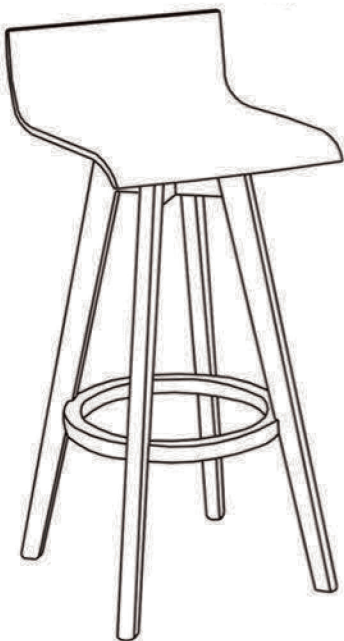
4pcs

I Wrench

1/5"

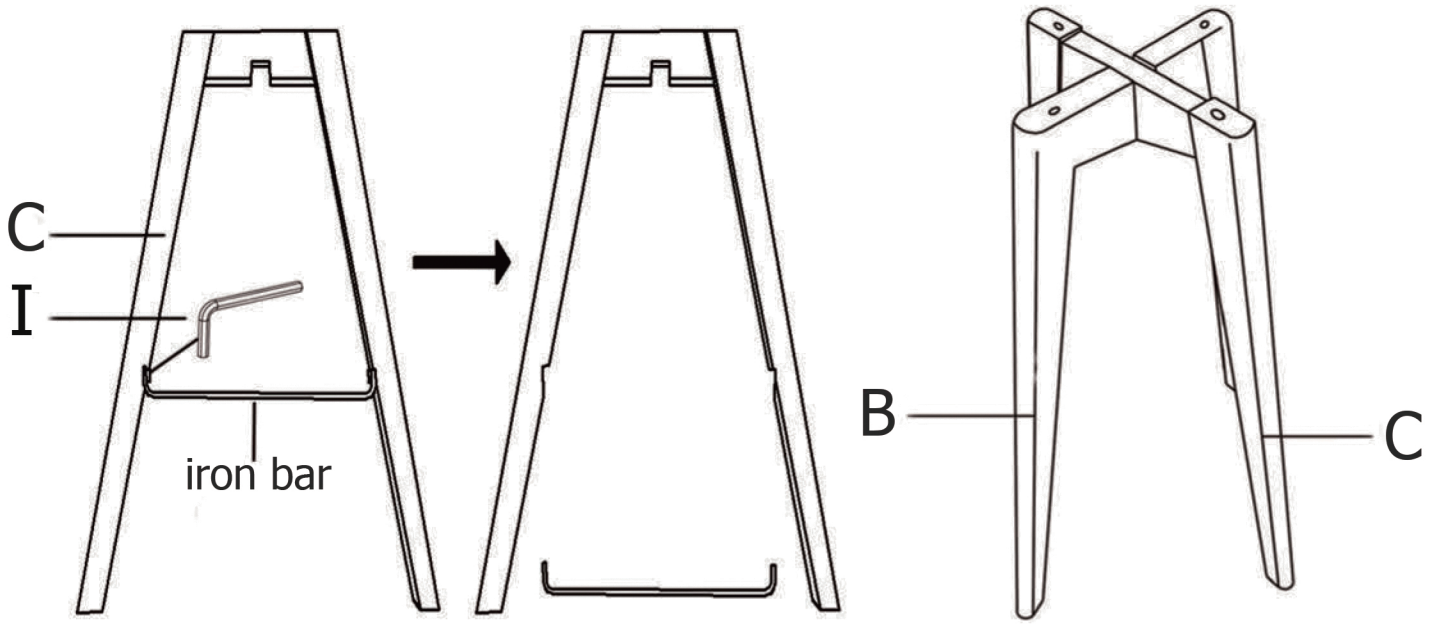


1pc

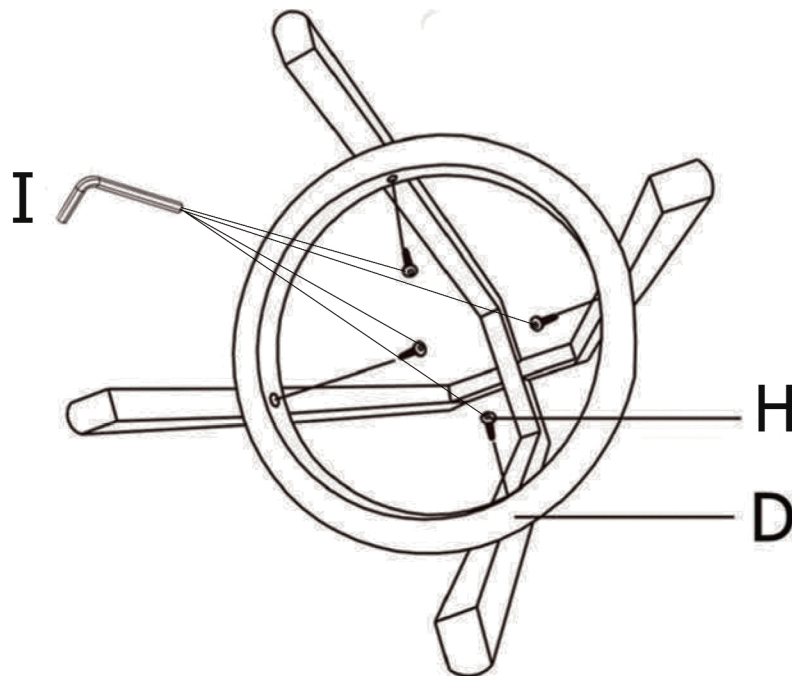


This page lists all the contents included in the box. Please take the time to identify the hardware as well as the individual components to this product. As you unpack and prepare for assembly, place the contents on a carpeted or padded area to protect the product from damage.

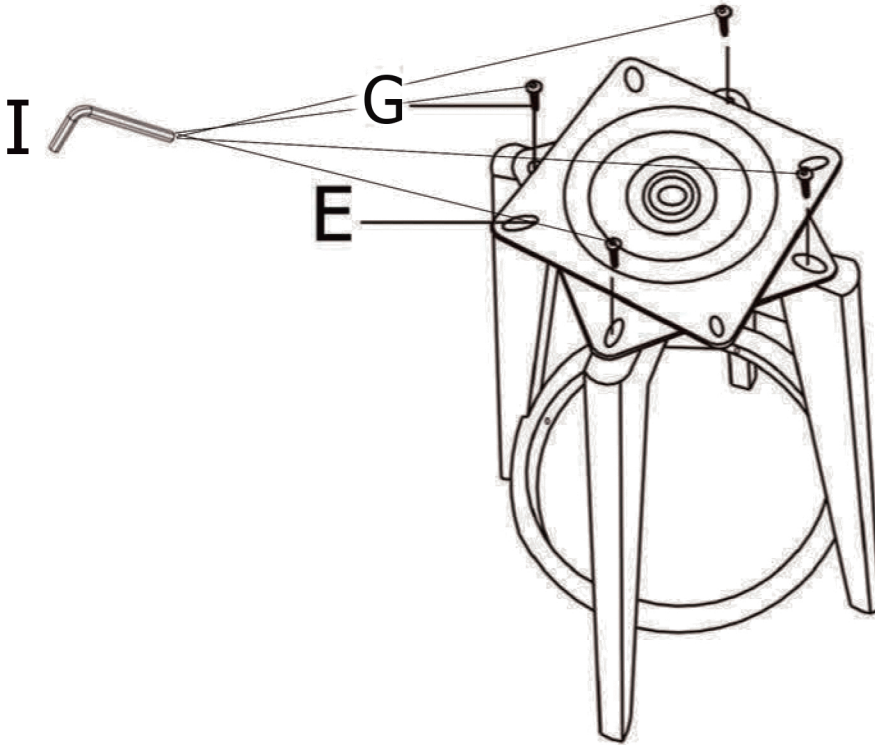
1 First remove iron bar of lower leg frame (B) and upper leg frame (C) with wrench (I). Put upper leg frame (C) on lower leg frame (B).



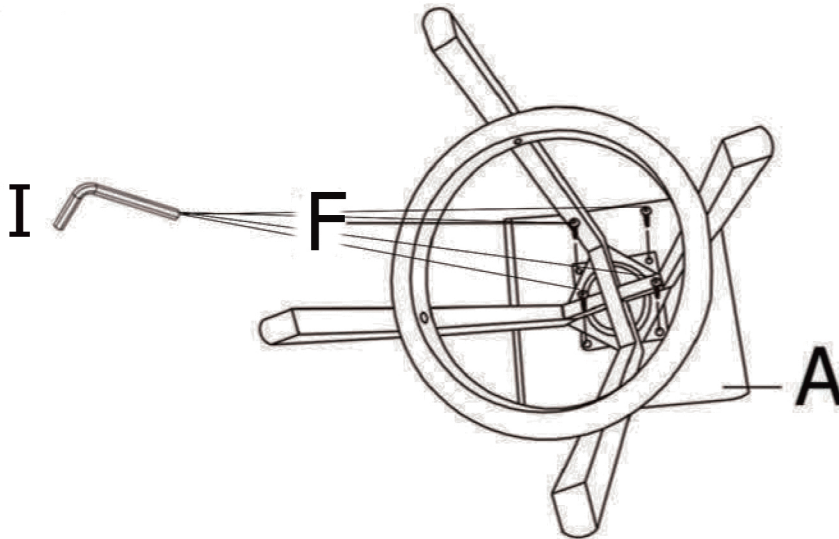
2 Install foot rest (D) with wrench (I) turn the screw (H) in it. Make sure all screw (H) is tight.



- 3** Install turnplate (E) with wrench (I), turn screw (G) in the lower leg frame (B) and upper leg frame (C), make sure all screw (G) is tight.



- 4** Find a plan and soft surface, bottom up the seat (A), put on the bottom part, install seat (A) with screw (F) by wrench (I), make sure all screw (F) is tight.



Cleaning & Care

Treat surface with care. Surface is resistant to scratches but is not scratch resistant. Clean surfaces with a dry or damp soft cloth. Do not use abrasive cleaners. Hardware may loosen over time. Periodically check that all connections are tight.