

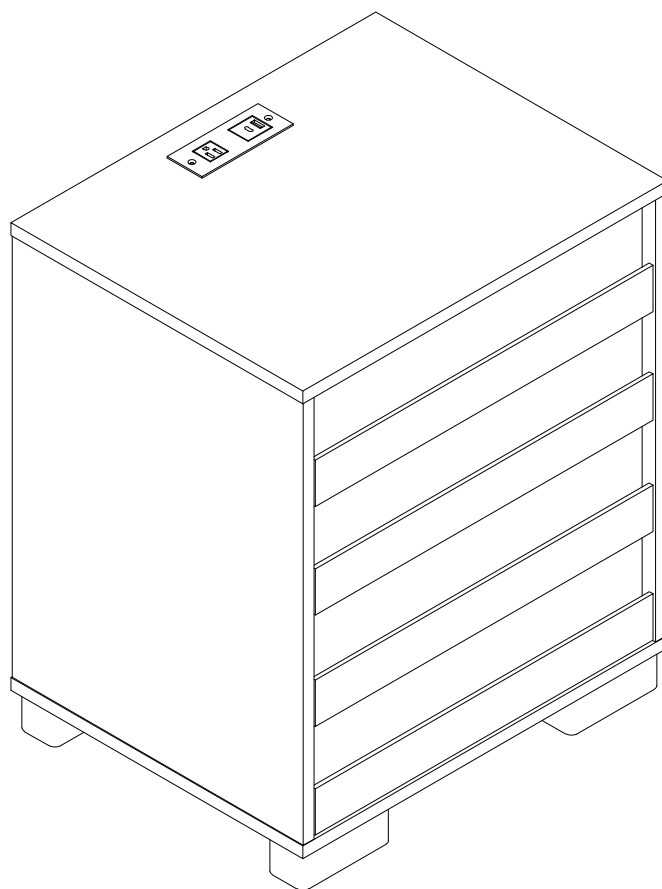
Nightstand

Assembly Instructions - Please keep for future reference

1061100280B

1061100281B

1061100282B



X2

Dimensions

Width - 19.7inch

Depth - 15.7inch

Height - 23.8inch

Important – Please read these instructions fully before starting assembly



Safety and Care Advice

Important – Please read these instructions fully before starting assembly

- Check you have all the components and tools listed on the following pages.
- Remove all fittings from the plastic bags and separate them into their groups.
- Keep children and animals away from the work area, small parts could choke if swallowed.
- Make sure you have enough space to layout the parts before starting.

- During assembly do not stand or put weight on the product, this could cause damage.
- Assemble the item as close to its final position (in the same room) as possible.
- Assemble on a soft level surface to avoid damaging the unit or your floor.
- Parts of the assembly will be easier with 2 people.



- To reduce the likelihood of damaging your product please ensure that your power drill is set on a low torque setting.

Care and maintenance

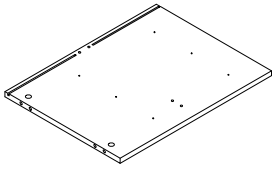
- Only clean using a damp cloth and mild detergent, do not use bleach or abrasive cleaners.
- From time to time check that there are no loose screws on this unit.
- This product should not be discarded with household waste. Take to your local authority waste disposal centre.

Handy Hints

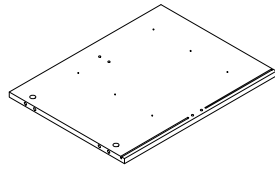
- Assemble all parts and bolts loosely during assembly, only once the product is complete should you fully tighten the bolts
- Regularly check and ensure That all bolts and fittings are tightend properly.

Components - Panels

Please check you have all the panels listed below



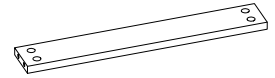
1 (525X399X15mm)X1



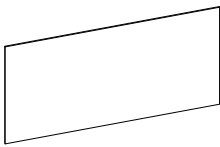
2 (525X399X15mm)X1



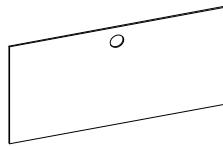
3 (468X70X15mm)X2



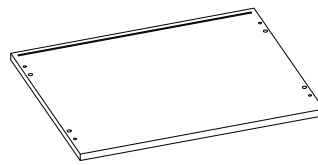
4 (468X70X15mm)X2



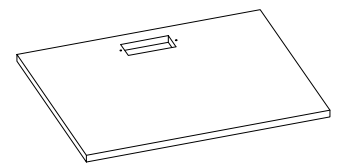
5(478X238X2.7mm)X2



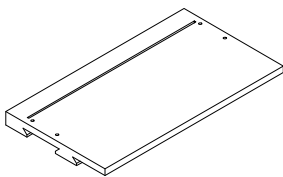
6 (478X238X2.7mm)X2



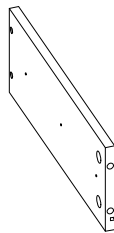
7 (500X400X15mm)X2



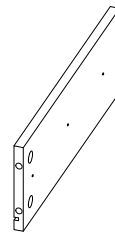
8 (500X400X15mm)X2



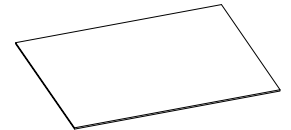
9 (463X258X27mm)X4



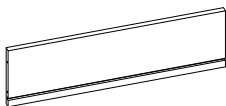
10 (350X120X12mm)X4



11 (350X120X12mm)X4



12 (434X347X2.7mm)X4






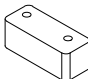

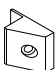
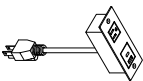

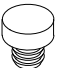

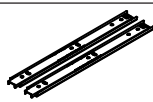



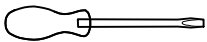
13 (424X120X12mm)X4

Components - Fittings

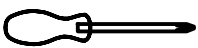
Please check you have all the panels listed below

Note: The quantitie below are the correct amount to complete the assembly. In some cases more fittings may be supplied than are required.

A  Male Camlock x 40	B  Female Camlock x 40	C  Dowel x 16
D  4*30mm Screw x 16	E  5*45mm Screw x 8	F  Leg x 8
G  3*17mm Screw x 16	H  Plasticwedge x 16	I  Handle & Fixings x 2
J  3.5*14mm Screw x 4	K  Protective Feet x 16	L  4*45mm Screw x 16
M  Drawer slider 14" X 4	N  3.5*12mm Screw x 48	



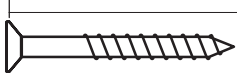
Tools required



Phillips screwdriver
(medium & large)

Ruler - Use this ruler to help correctly identify the screws

0 5 10 15 20 25 30 35 40 45 50 55 60 65 70 75 80 85 90 95 100 105 110 115 120 125 130 135 140 145 150 155 160 165 170



The screws length is measured from the head to the point (30mm screw shown).

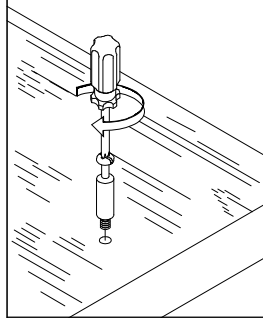
Using Camlocks

Step 1

Connect the male camlock as directed in the assembly instructions using a screwdriver.

1

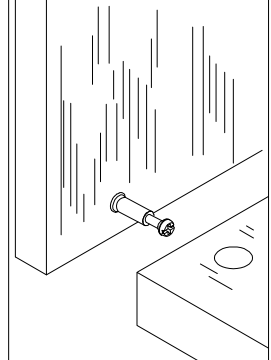
DO NOT OVER TIGHTEN.
NE PAS SERRER EXCESSIVEMENT.



Step 2

Push the male camlock into the entry hole.

2

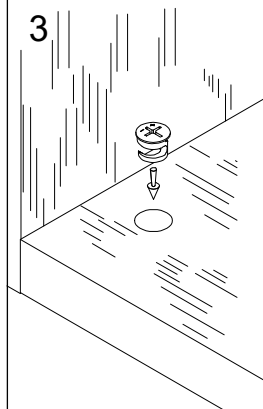


Step 3

Insert the female camlock as shown in the instruction.

Note: ensure that the arrow on the top of the camlock points towards the entry hole for the male camlock.

3



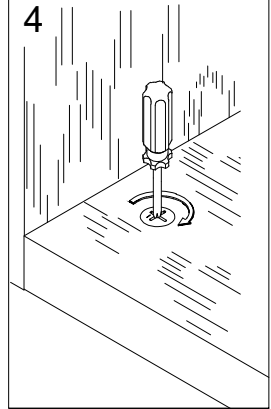
Step 4

Turn the female camlock clockwise with a screwdriver.

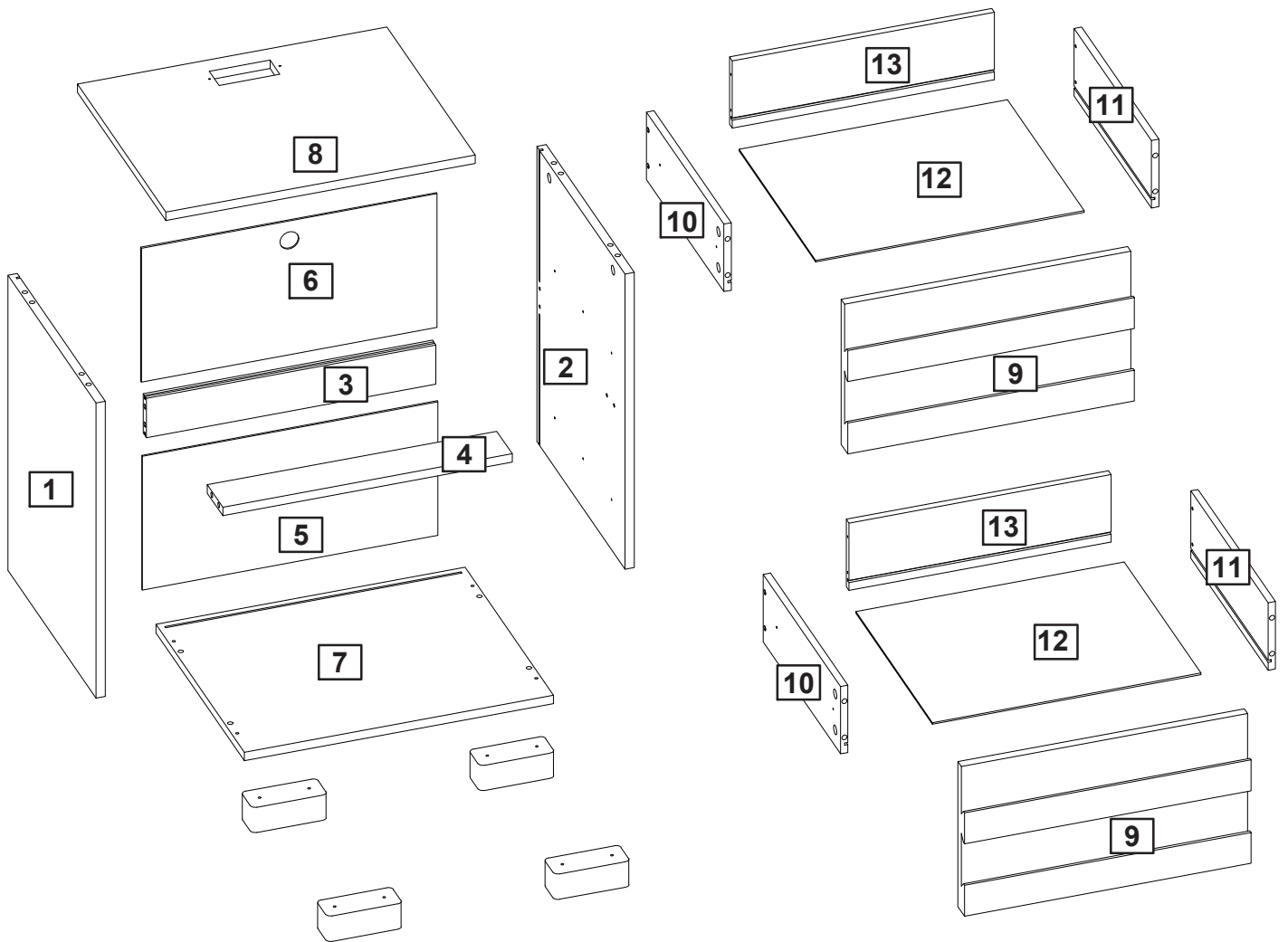
You should feel a click when the camlock is locked in place.

The joint is now secure.

4

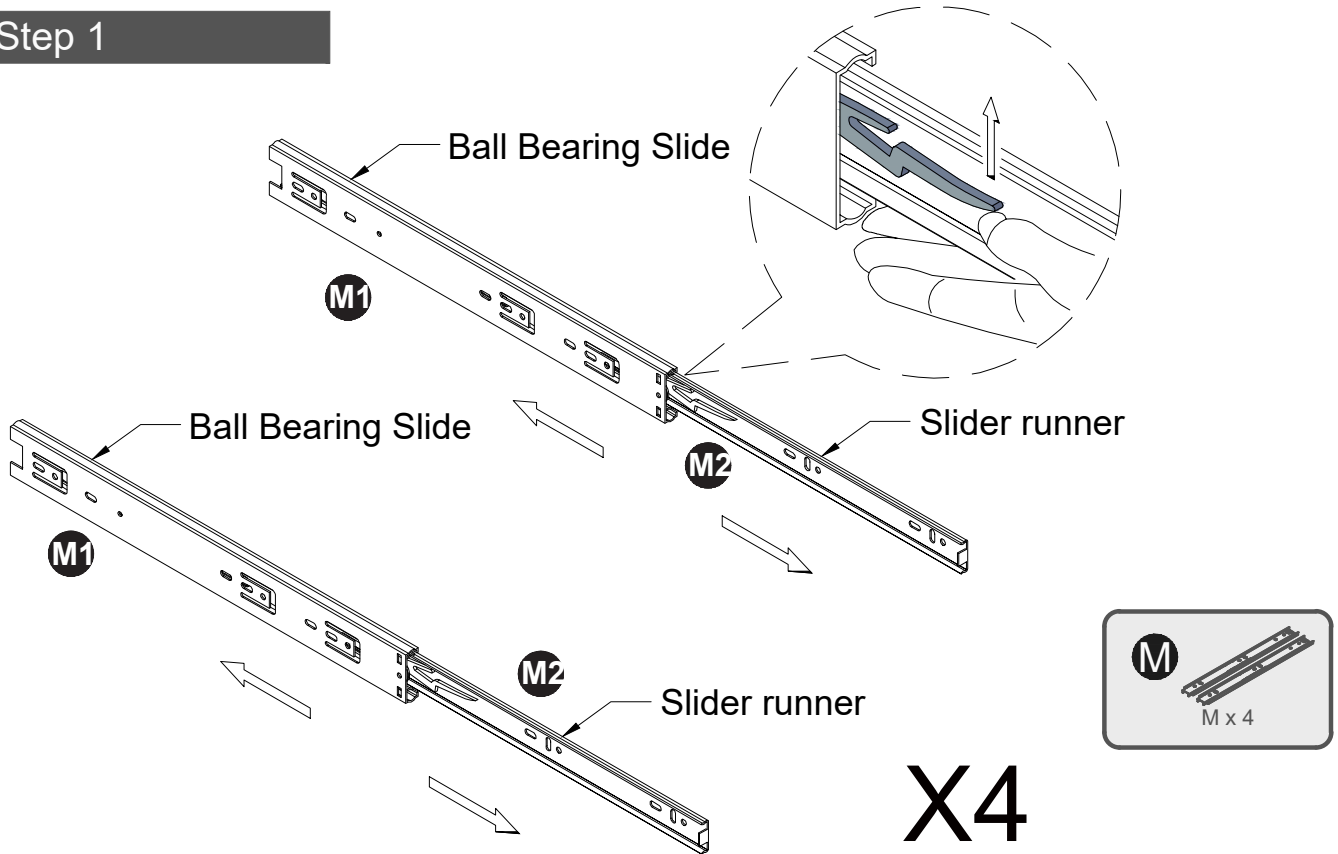


Assembly Instructions



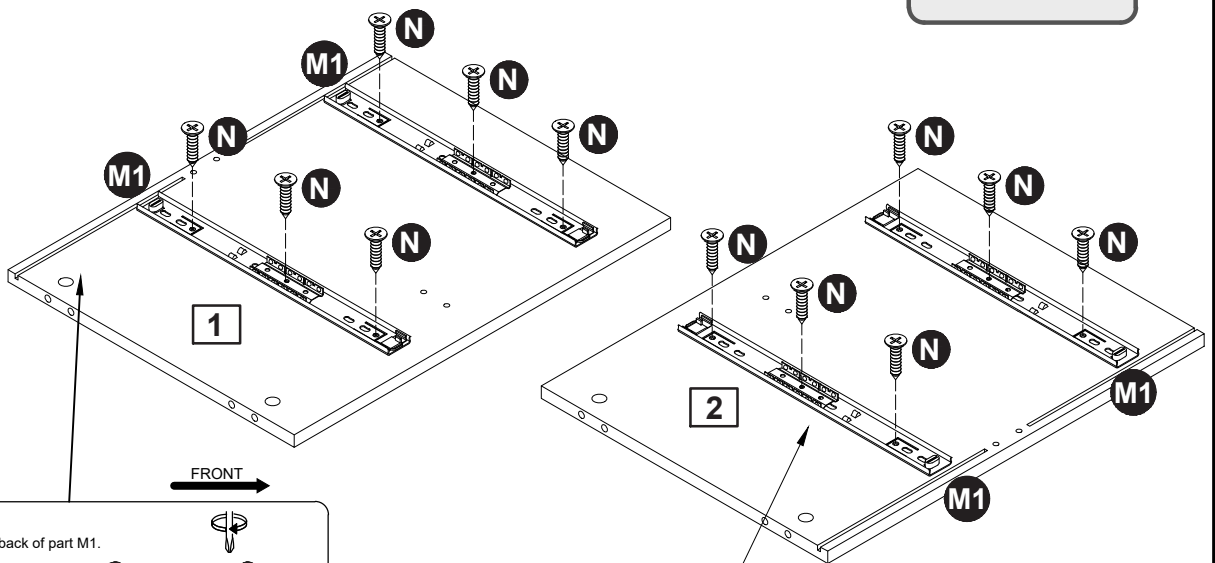
Assembly Instructions

Step 1



Step 2

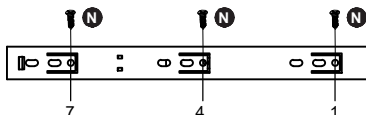
X2



Attention:

1. Please locate the holes from the back of part M1.

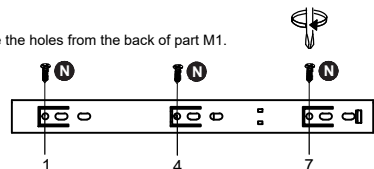
M1 Back:



Attention:

1. Please locate the holes from the back of part M1.

M1 Back:



Assembly Instructions

Step 3

A

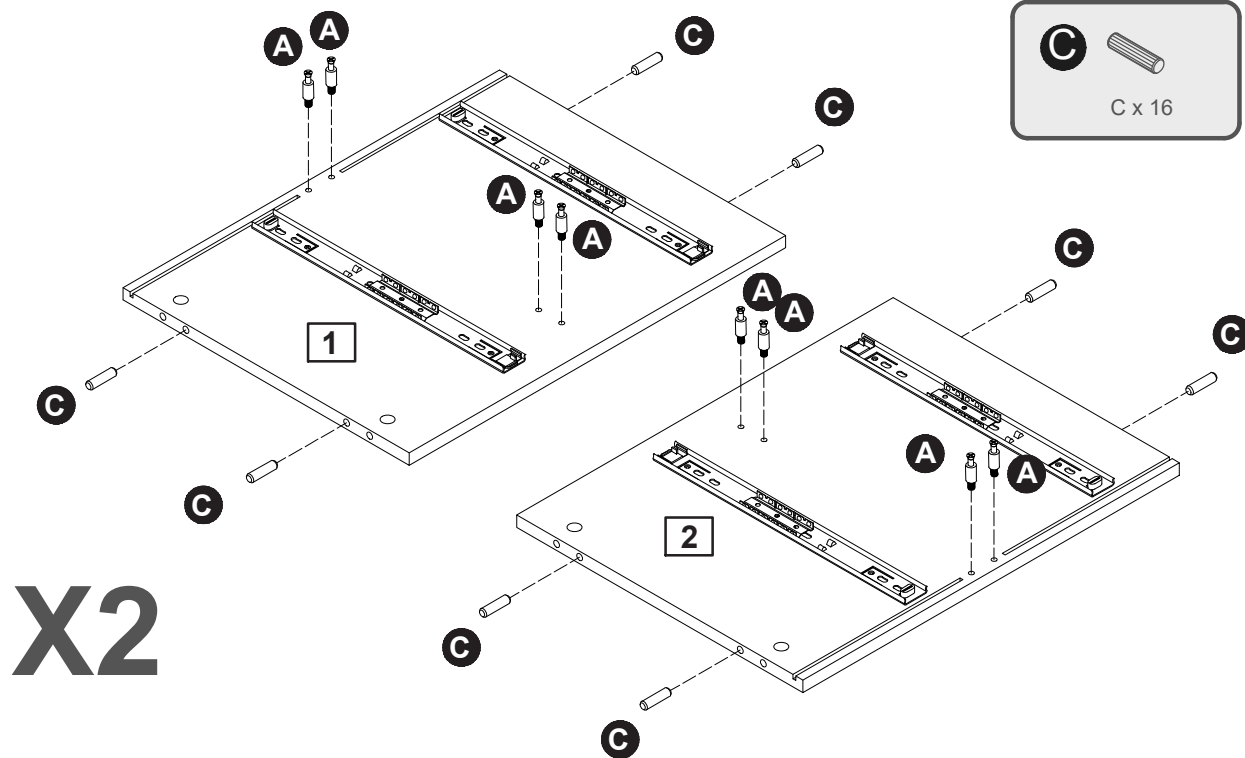


A x 16

C



C x 16

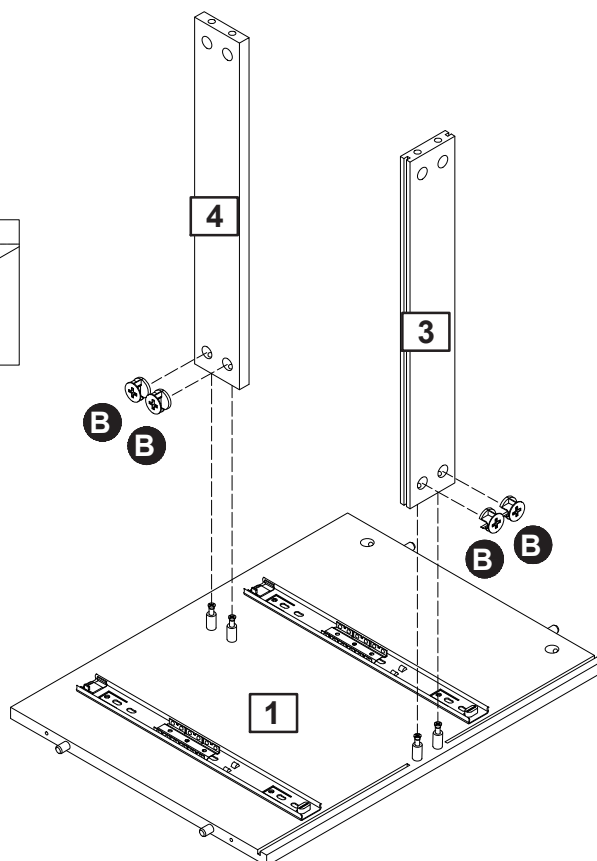
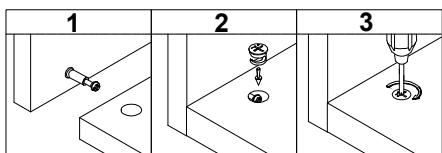


Step 4

B

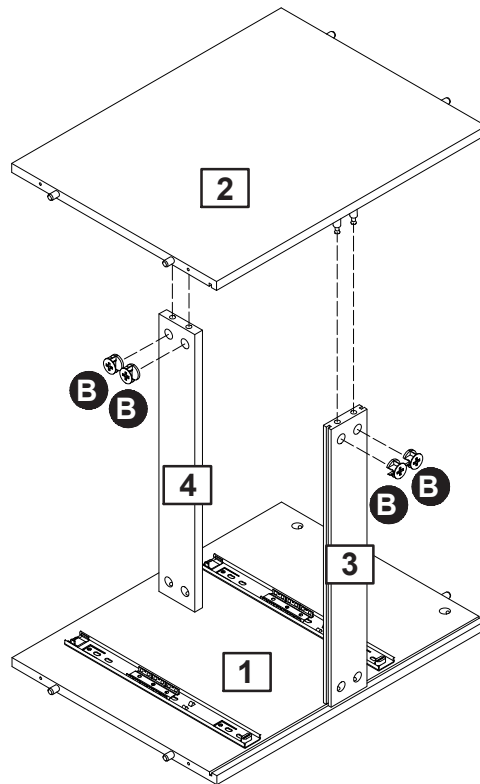
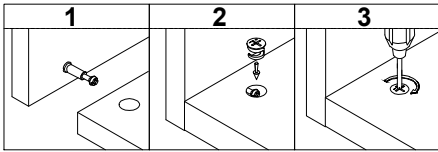
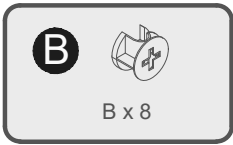


B x 8



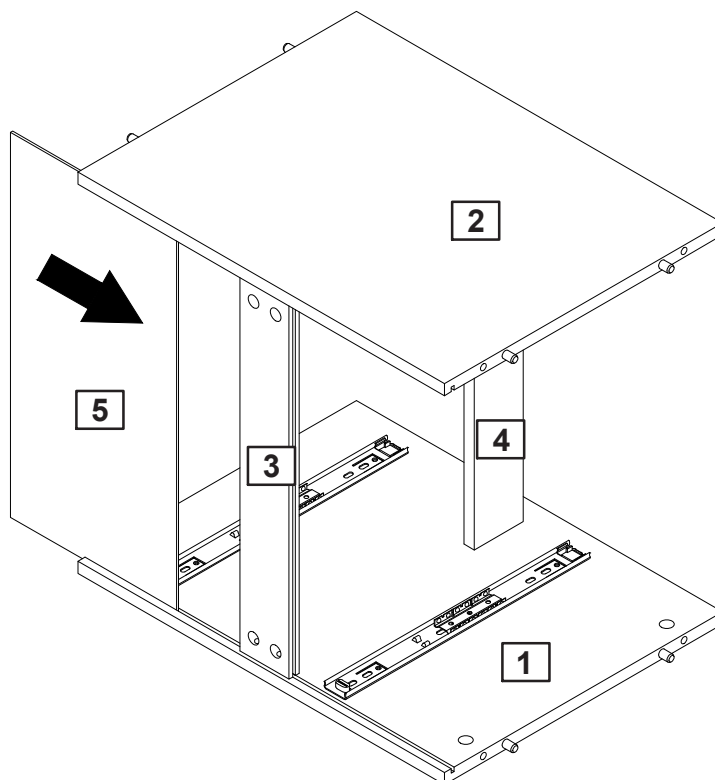
Assembly Instructions

Step 5



X2

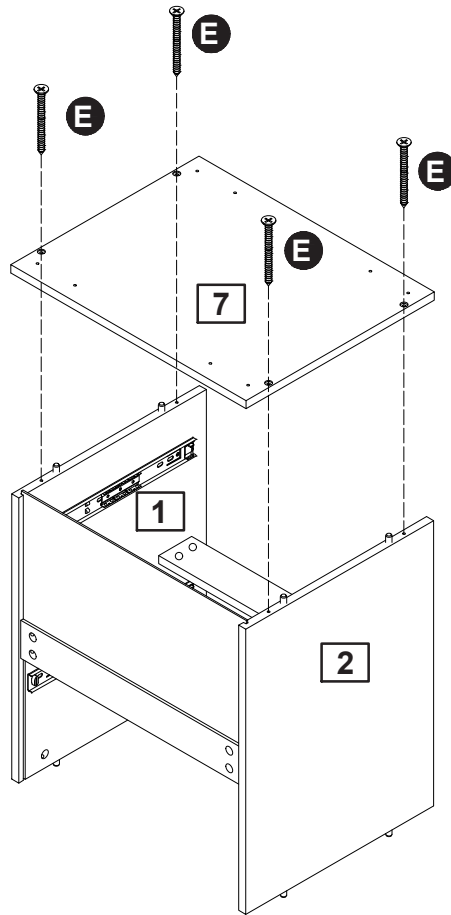
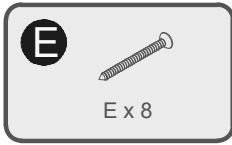
Step 6



X2

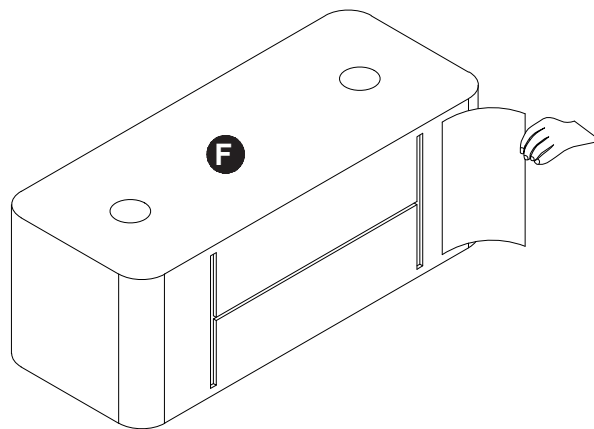
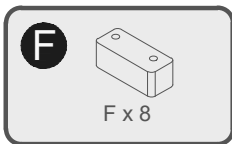
Assembly Instructions

Step 7



X2

Step 8

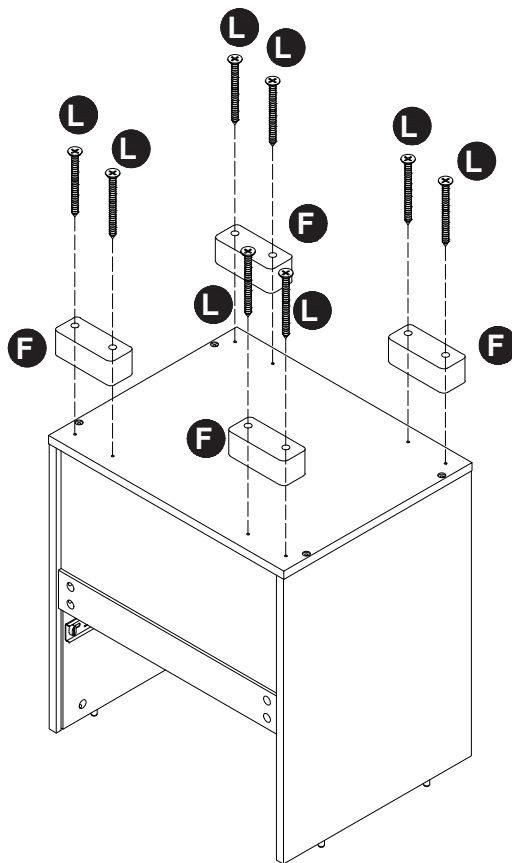
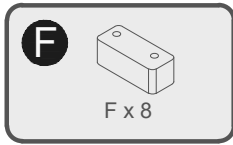


X8

Tear off the metal foot protective film!

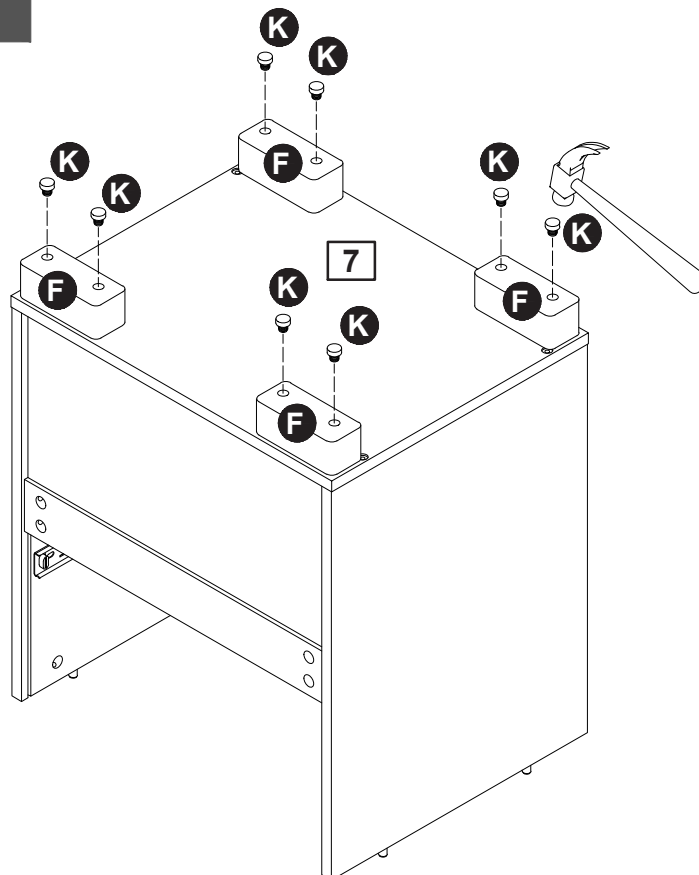
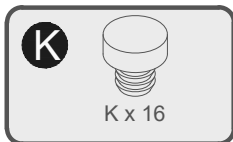
Assembly Instructions

Step 9



X2

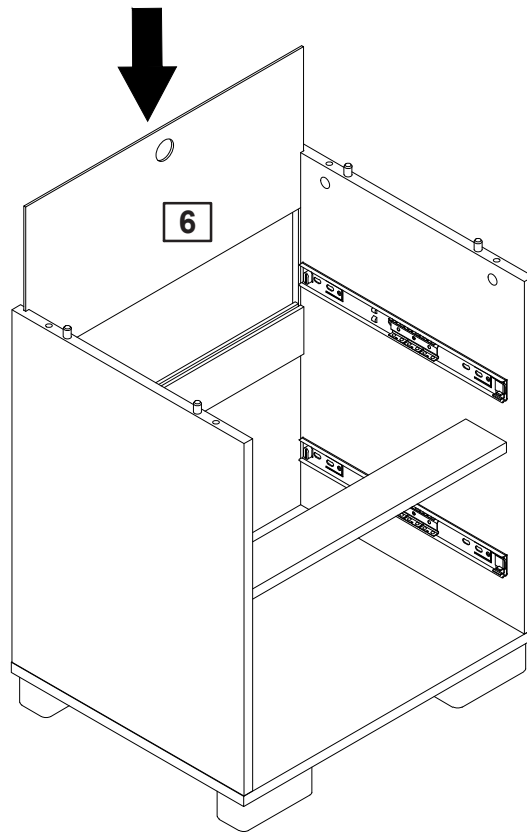
Step 10



X2

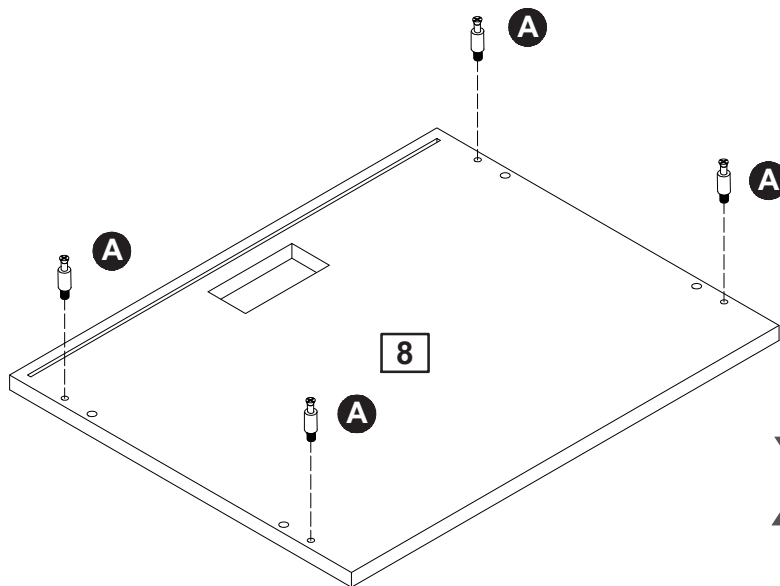
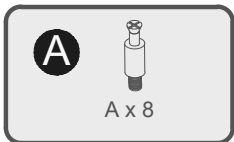
Assembly Instructions

Step 11



X2

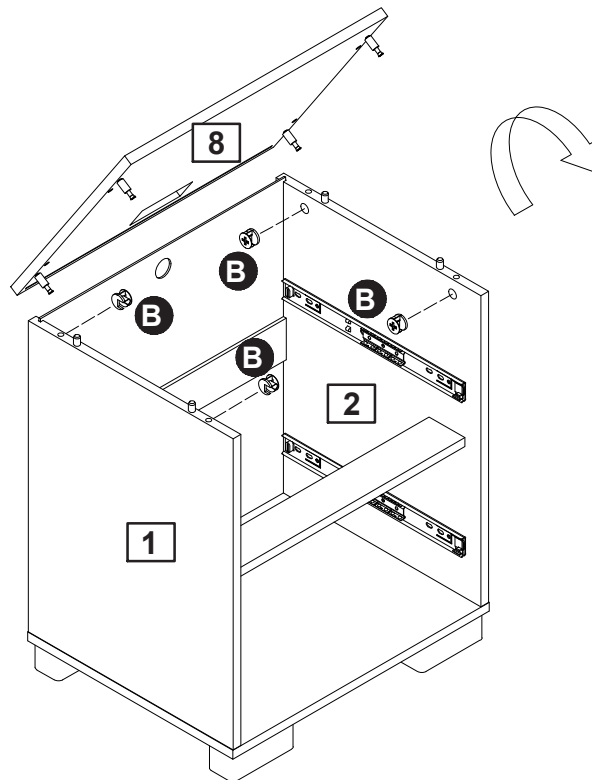
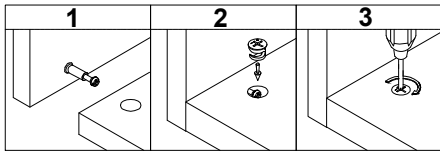
Step 12



X2

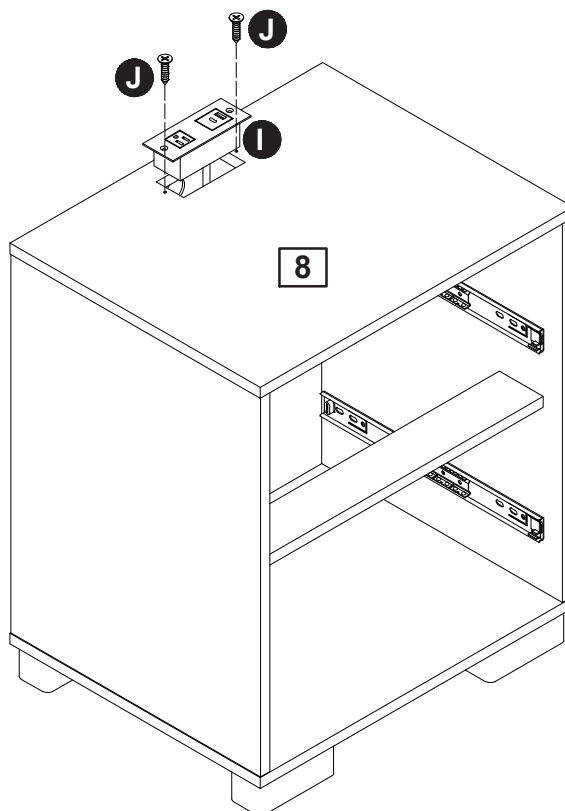
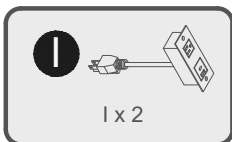
Assembly Instructions

Step 13



X2

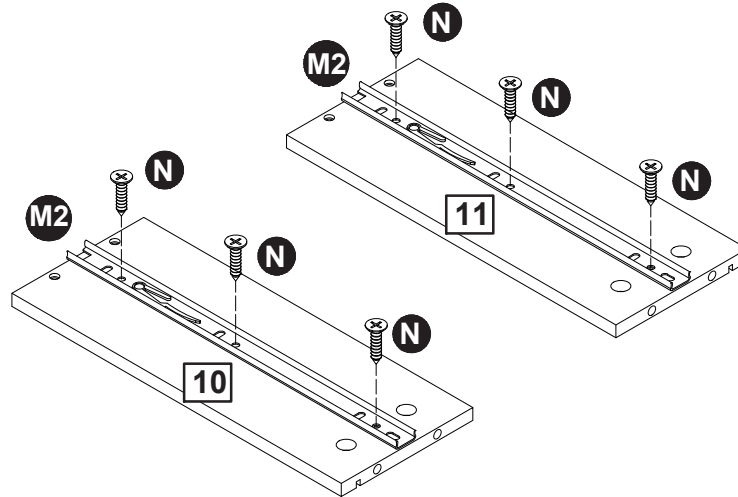
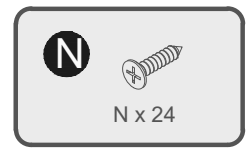
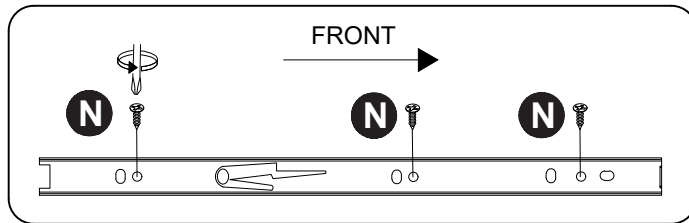
Step 14



X2

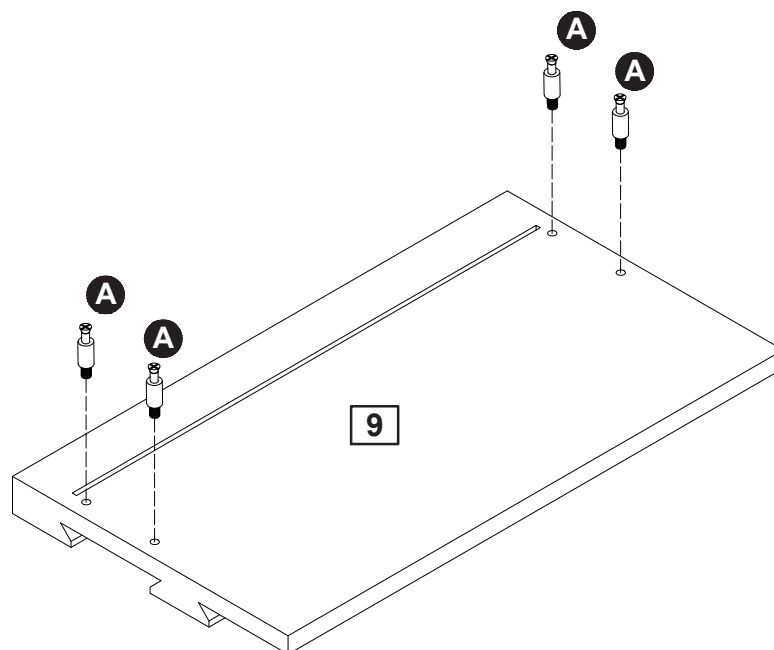
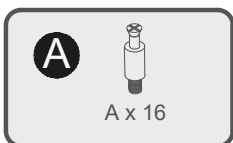
Assembly Instructions

Step 15



X4

Step 16



X4

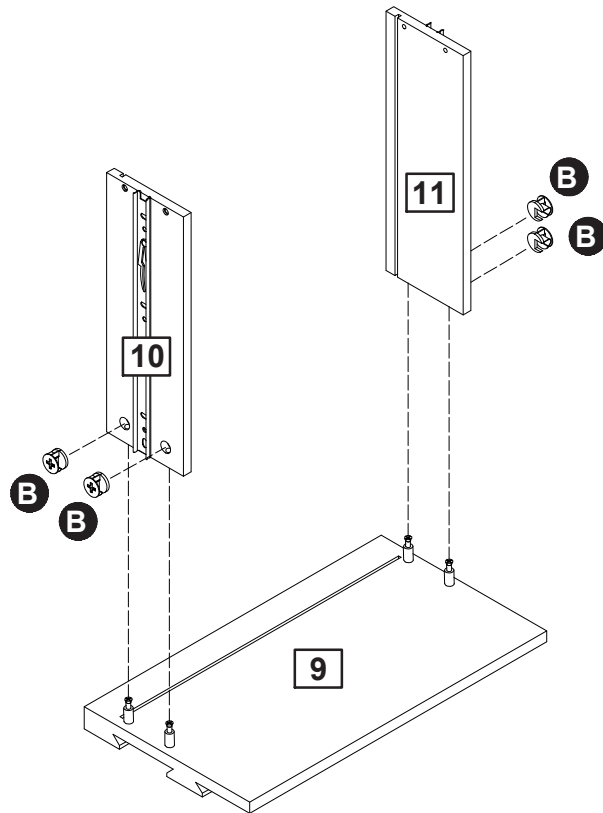
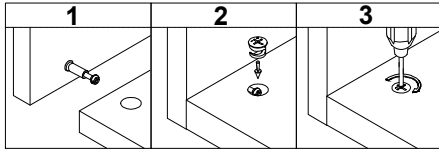
Assembly Instructions

Step 17

B

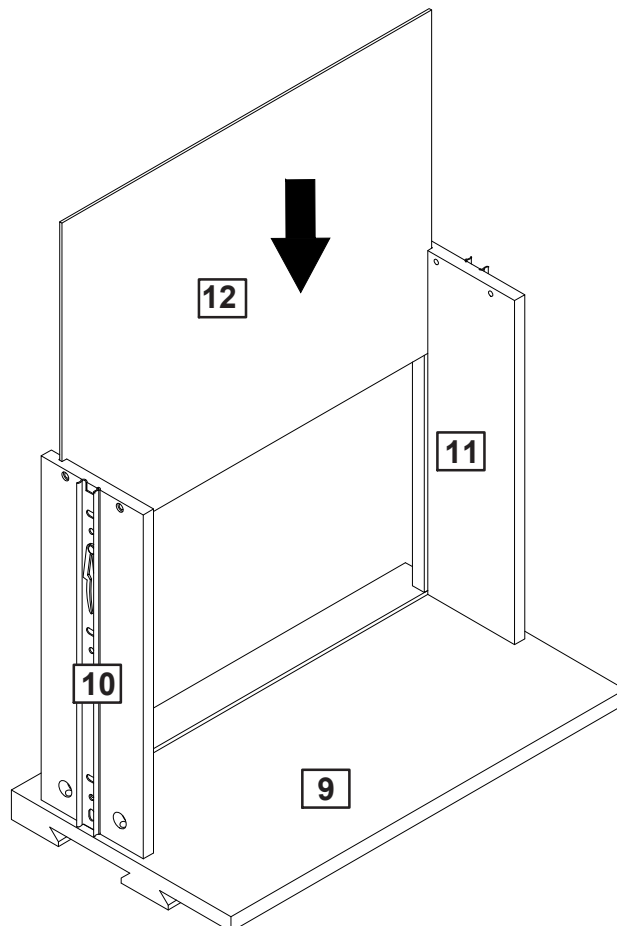


B x 16



X4

Step 18



X4

Assembly Instructions

Step 21

G

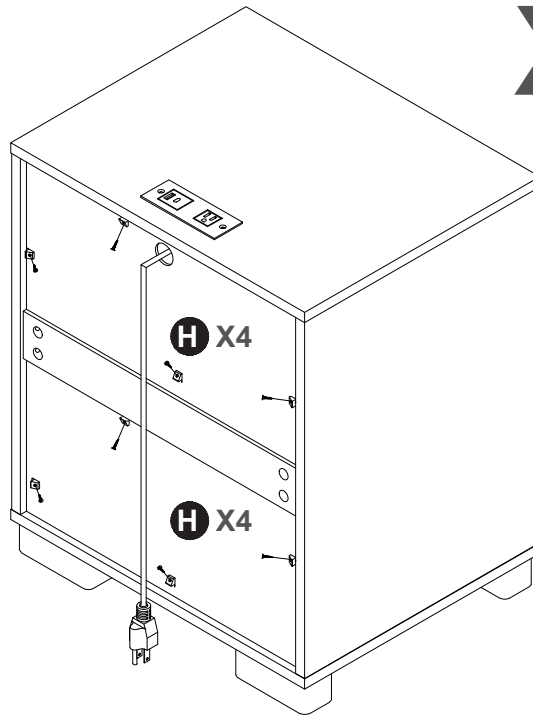


G x 16

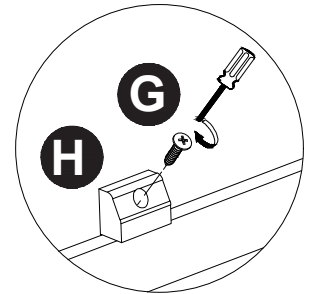
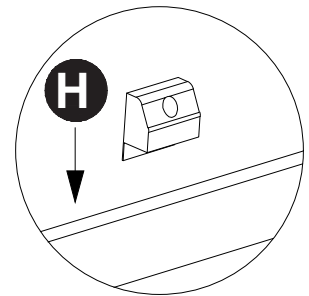
H



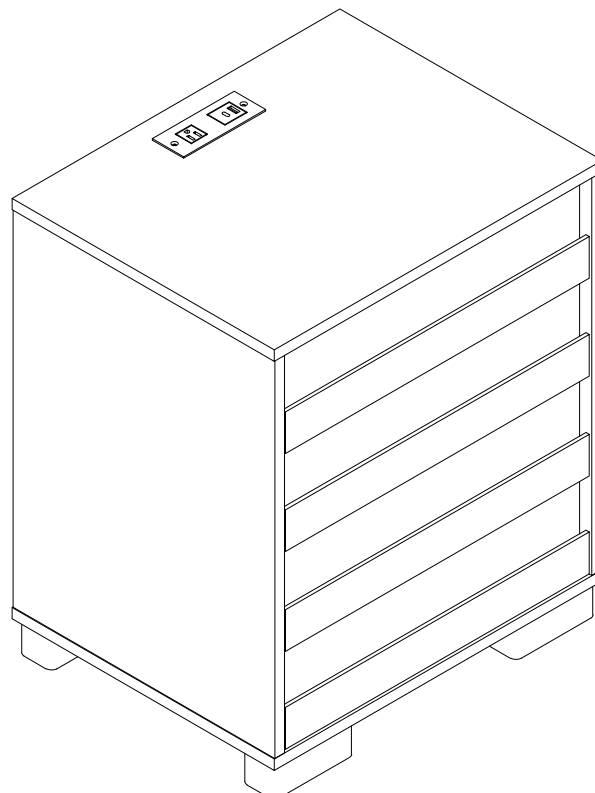
H x 16



X2



Step 22



X2

Assembly is complete.