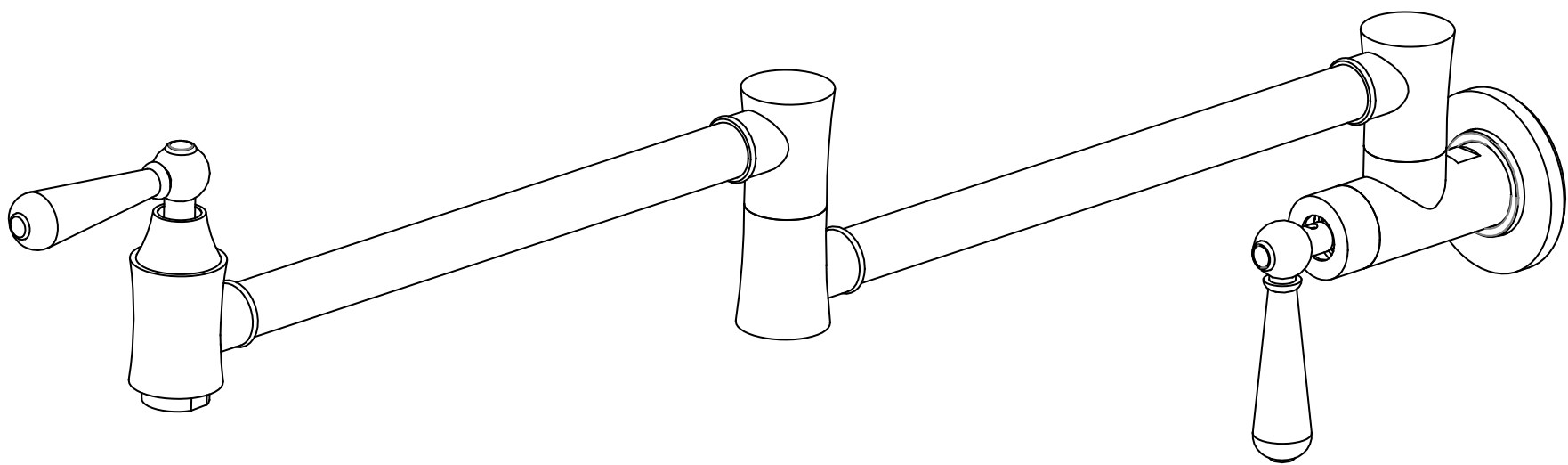


INSTALLATION GUIDE**WALL MOUNT POT FILLER**

MODEL	FINISH
S6112CI	CHROME
S6112NI	BRUSHED NICKEL
S6112OI	Oil-rubber Bronze
S6112GI	GOLD

THANK YOU

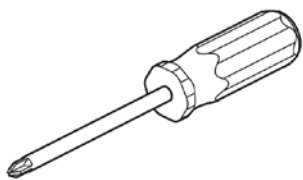
Dear Valued Customer,
SUMERAIN would like to take this opportunity to thank you for purchasing SUMERAIN products. It is our sincere hope that you are completely satisfied with your new purchase. All SUMERAIN products are carefully engineered, and factory tested to provide long trouble-free use under normal conditions. This product is easy to install using basic tools and our easy to follow illustrated instructions. We welcome any questions or comments you may have and look forward to assisting you in the future. If you have any questions regarding this product, call +86-750-2731579 or email to us@sumerain.com.

Sincerely,
SUMERAIN customer service department

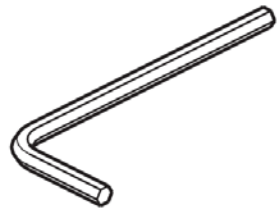
BEFORE PROCEEDING

1. Unpack your new product and ensure that all the parts are contained in the packaging. Keep the product in its original box until you ready to install it.
2. Locate water supply inlets and shut off the water supply valves. These are usually found near the water meter. if you are replacing an existing unit, remove the old unit and clean the mounting surface thoroughly.
3. Observe all plumbing and building codes in your area.
4. It is recommends calling professional if you are uncertain about installing this product.

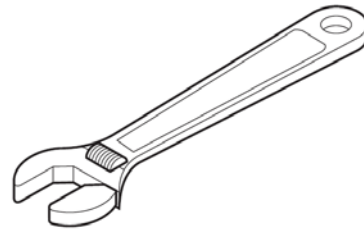
TOOLS RECOMMENDED



Philips screwdriver



Allen wrench



Adjustable wrench



Channel locks



Thread Sealant

LIMITED LIFETIME CONSUMER WARRANTY

VERSION: 140320.15.3

This product has been manufactured and tested to the highest quality standards by SUMERAIN sanitary Inc("SUMERAIN").This warranty is limited to SUMERAIN products which are purchased by a consumer in the China after Jan 1,2010 and installed in China or the state which has SUMERAIN technical support department locally.(visit <http://www.sumerain.com/en/supportcenter.asp> for review the state list of SUMERAIN technical support department).If the faucet should leak or drip during normal use,SUMERAIN will, free of charge, mail to the purchaser the cartridge necessary to put the faucet in good working condition. If a defect is found in normal residential use, SUMERAIN will, at its election, repair, provide a replacement part or product, or make appropriate adjustment.

WHO IS COVERED BY THE WARRANTY

This warranty extends to the original consumer purchaser only (exclusive online retail original customer, online retail original customer cover by the "Online CONSUMER Limited Lifetime WARRANTY & Return policy"), This warranty is not-transferable.

WHAT IS COVERED BY THE WARRANTY

This warranty covers only your SUMERAIN manufactured product. SUMERAIN warrants this product against defects in material or workmanship as follows: SUMERAIN will repair at no charge for parts only or, at its option, replace any product or part of the product that proves defective because of improper workmanship and/or material, under normal installation, use, service and maintenance. If SUMERAIN unable to provide replacement, SUMERAIN may elect to provide similar model upon close value.

FINISH WARRANTY

It is the responsibility of the customer to check for any material finish defects before installation. SUMERAIN doesn't warranty these finishes after the fixture has been installed.

ELECTRONIC FAUCETS WARRANTY

SUMERAIN warrants that its electronic faucets, valves and controls to be free from manufacturing defects in material and workmanship under normal use for three(3) years from the date of purchase and waterflow impeller-dynamo (generate power for LED faucet) for six(6) months from the date of purchase.

LENGTH OF WARRANTY

Replacement or repaired parts of products will be covered for the term of this warranty as stated in the following two sentences, if you are a consumer who purchased the product for use primarily for personal,family,or household purposes, this warranty extends for 5 years since the product originally installed (Extend max 1 month From the date of purchase).if you purchased the product for use primarily for any other purpose,including,without limitation, a commercial purpose or is installed outside of China, or if the finish is gold, non-Vibrant or a painted or powder coated color finish this warranty extends only for one year, with respect to SUMERAIN and commercial products.

THIS WARRANTY DOES NOT COVER, AND SUMERAIN WILL NOT PAY FOR:

- A. Conditions, malfunctions or damage not resulting from defects in material or workmanship.
- B. Conditions, malfunctions or damage resulting from normal wear and tear, improper installation, improper maintenance, misuse,abuse,negligence,accident or alteration or the use of abrasive or caustic cleaning agents or "no-rinse" cleaning products, or the use of the product in any manner contrary to the product instructions. Conditions in the home such as excessive water pressure or corrosion.
- C. Labor or other expenses for the disconnection, deinstallation, or return of the product for warranty service, or for installation or reinstallation of the product.
- D. Accessories, connected materials and products (including but not limited in handshower flexible hose, spray flexible hose, handshower), or related products not manufactured by SUMERAIN

TO OBTAIN WARRANTY PARTS OR INFORMATION

Contact your SUMERAIN retailer or contact technical service at: supports@sumerain.com

In requesting warranty service, you will need to provide

1. The sales receipt or other evidence of the date and the place of purchase.
2. A description of the problem (Download URL: <http://www.sumerain.com/download/servicerequest/sheet.pdf> and fill out the Service Request Sheet).
3. Delivery of the product or the defective part, postage prepaid and carefully packed and insured to :
SUMERAIN FACTORY SUPPORT CENTER ,25 Building,Tangkou industrial park,Shuikou Town,Jiangmen Kaiping city,
Guangdong province,China 529301

When warranty service is completed, any repaired or replacement product or part will be returned to you postage prepaid.

EXCLUSIONS AND LIMITATIONS

Repair or replacement (or, in limited circumstances, refund of the purchase price) as provided under this warranty is the exclusive remedy of the purchaser. SUMERAIN neither assumes nor authorizes any person to create for it any obligation or liability in connection with this product.SUMERAIN shall not be liable to purchaser or any person for any incidental, special, or consequential damages, arising out of breach of this warranty or any implied warranty (including merchantability) Some states do not allow the exclusion or limitation of incidental or consequential damages, so the above limitation or exclusion may not apply to you. This warranty gives you specific legal right, and you may have other rights which vary from state to state. You may be required by law to give us a reasonable opportunity to correct or cure any failure to comply before you can bring any action in court against us under the Magnusson-moss warranty Act.

PRODUCT INSTRUCTIONS AND QUESTIONS

Upon purchase or prior to installation, please carefully inspect your SUMERAIN product for any damage or visible defect. Prior to installing, always carefully study the enclosed instructions on the proper installation and the care and maintenance of the product. if you have questions at any time about the use,installation,or performance of your SUMERAIN product, or this warranty, please call or email us at +86-750-2731579, supports@sumerain.com

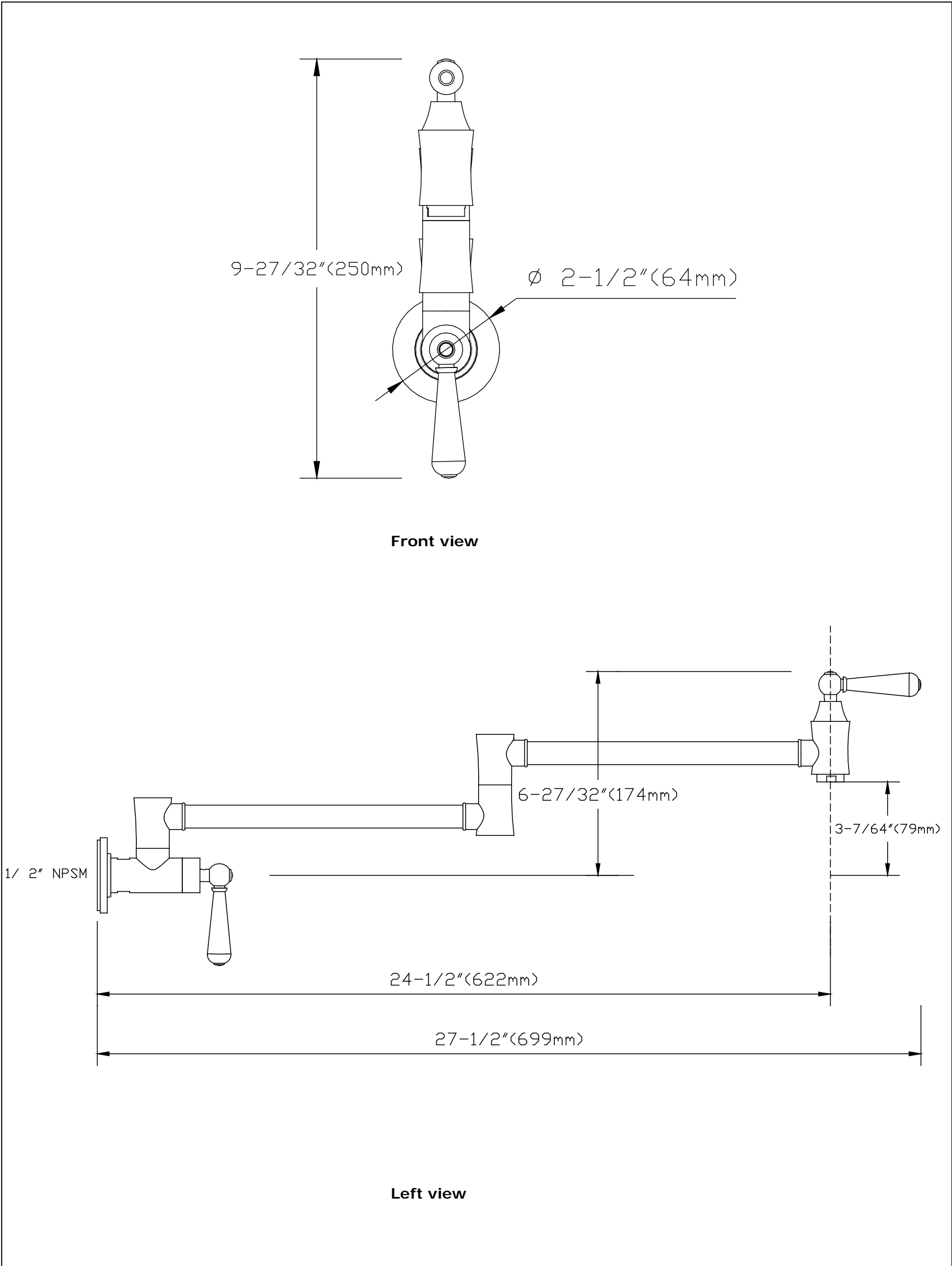
FUNCTIONS AND SPECIFICATION

Inspire the master chef within: the stylish Pot Filler is convenient and practical. Able to reach all stove burners for filling pots, the folding arm retracts completely when not in use.

- 4.0 gpm @ 60 PSI, 15.1 L/min @ 414 kPa.
- Single hole wall mount
- Dual handle design for easy operation
- 24" dual jointed swing spout.
- Simple on/off control by rotating handle 90 (1/4 turn).
- 1" recommended hole size.
- Rough into 1/2" stub out
- 1/2" NPSM. inlets
- Cold water connection only
- Washerless ceramic valving

Function	Wall Mount Pot Filler Faucet
Theme	Modern ,Contemporary, Traditional
Finish	Chrome/Brushed Nickel/Oil-rubber bronze/Gold
Installation Holes	One Hole
Number of Handles	Two
Handle style	Lever
Faucet Total Height	9-27/32" [250mm]
Spout Reach	24-1/2" [622mm]
Spout Height	3-7/64" [79mm]
Installation type	Wall Mounted
Spout Type	Swivel
Valve Type	Ceramic disc
Faucet Body Material	Brass
Handle Material	Metal
Net Weight	3,22 lbs [1.46KG]
Gross Weight	3,96 lbs [1.8KG]
Working water press	0.2 ~1.0 Mpa
Flow Rate	15.1 L/min @ 414 kPa [4 GPM@ 60 PSI]
Packing box size	15-3/4" [400mm] x9-27/32" [250mm] x 2-1/32"[52mm]

DIMENSION



INSTALLATION STEPS

1. BEFORE PROCEEDING



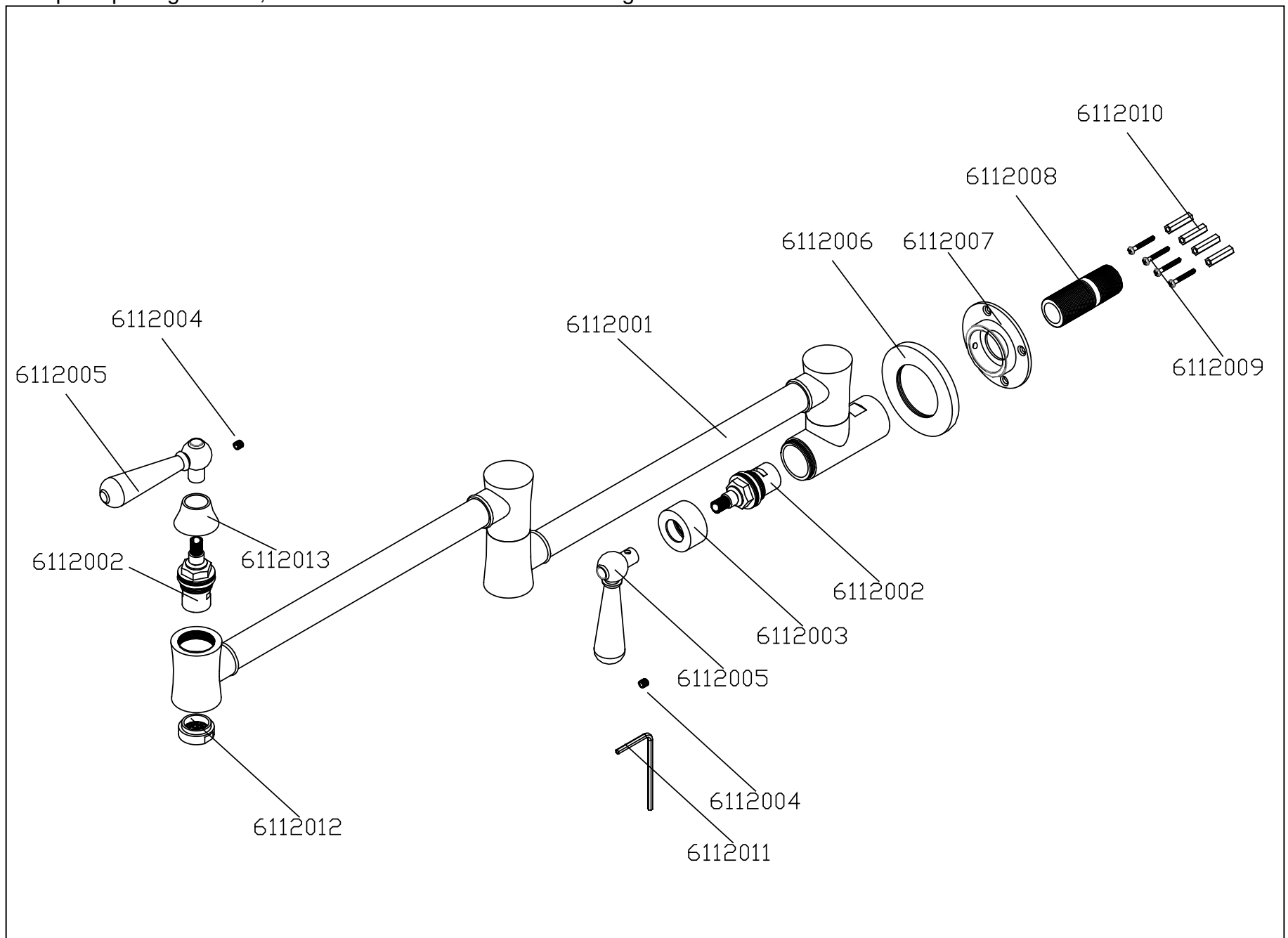
WARNING: Read all the instructions completely before proceeding. SUMERAIN recommends calling a professional if you are uncertain about installing this product!, this product should be installed in accordance with all local and state plumbing and building codes.

2. SHUT OFF WATER SUPPLY

Locate water supply inlets and shut off the water supply valves. These are usually found near the water meter. if you are replacing an existing unit, remove the old unit and clean the mounting surface thoroughly.

3. CHECKING THE CONTENTS OF THE BOX

Upon opening the box, check to ensure that all the following items are included.

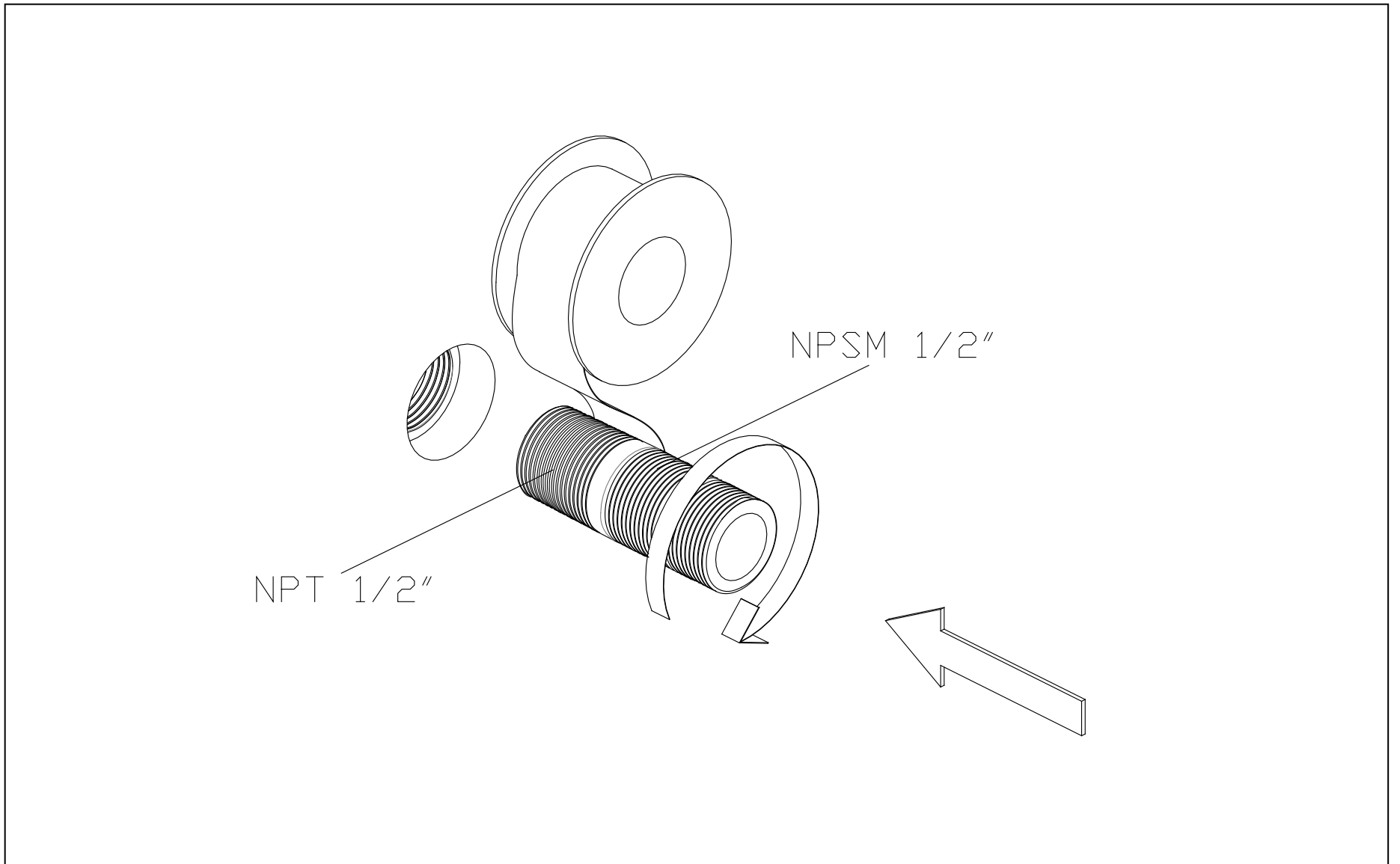


CODE	ITEM NAME	QTY	CODE	ITEM NAME	QTY
6112001	Faucet body	1PCS	6112002	Valve cartridge, cold side	2PCS
6112003	Handle base with insert	1PCS	6112004	Set screw	2PCS
6112005	Handle	2PCS	6112006	Flange trim	1PCS
6112007	Wall Flange	1PCS	6112008	NPSM 1/2 to NPT1/2 nipple	1PCS
6112009	Screw	4PCS	6112010	Anchor	4PCS
6112011	Allen key	1PCS	6112012	Aerator	1PCS
6112013	Handle base with insert	1PCS			

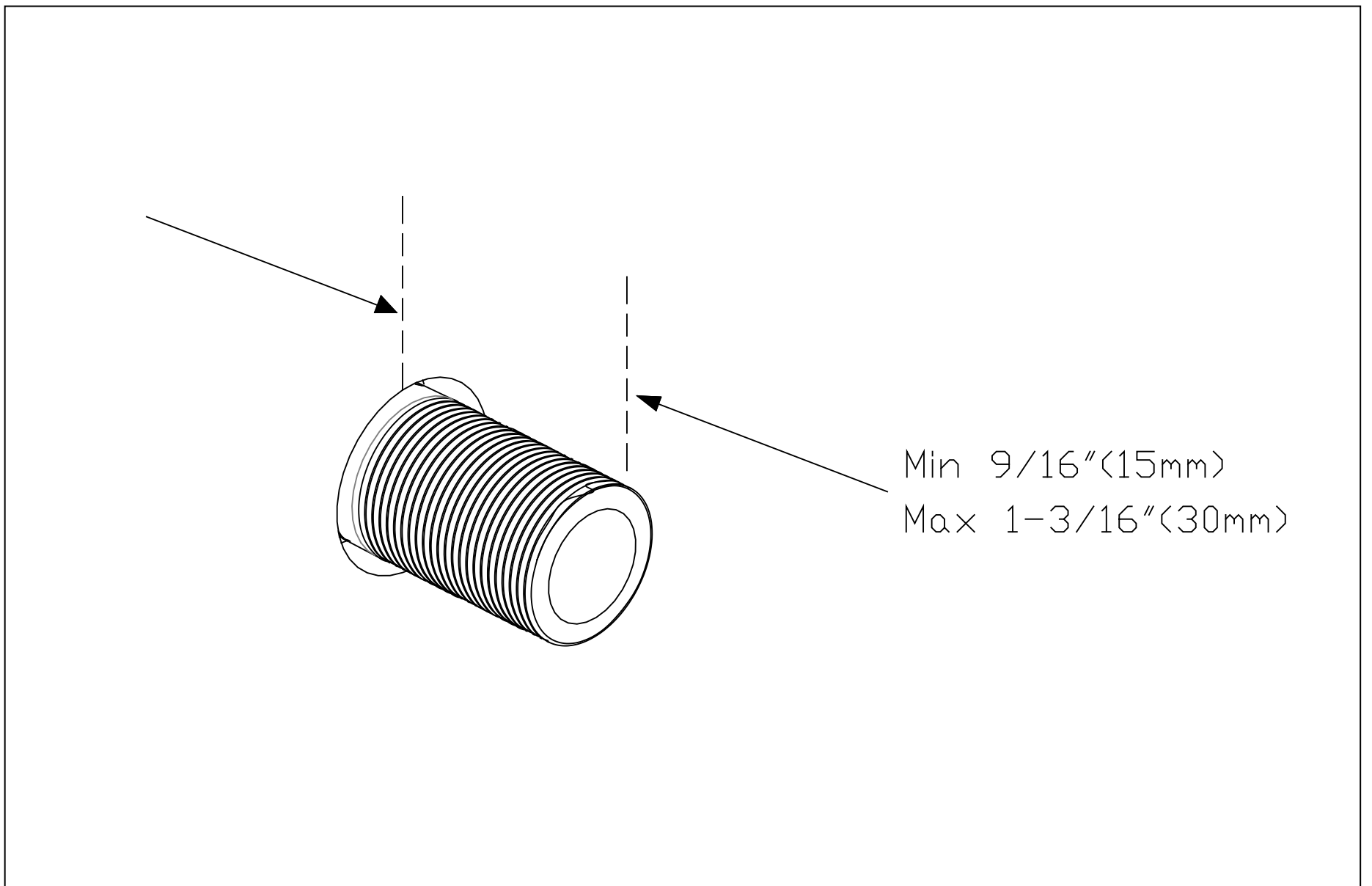
If any of these items are missing, please contact SUMERAIN consumer service at +86-750-2731579 or email to: supports@sumerain.com

4. INSTALLATION

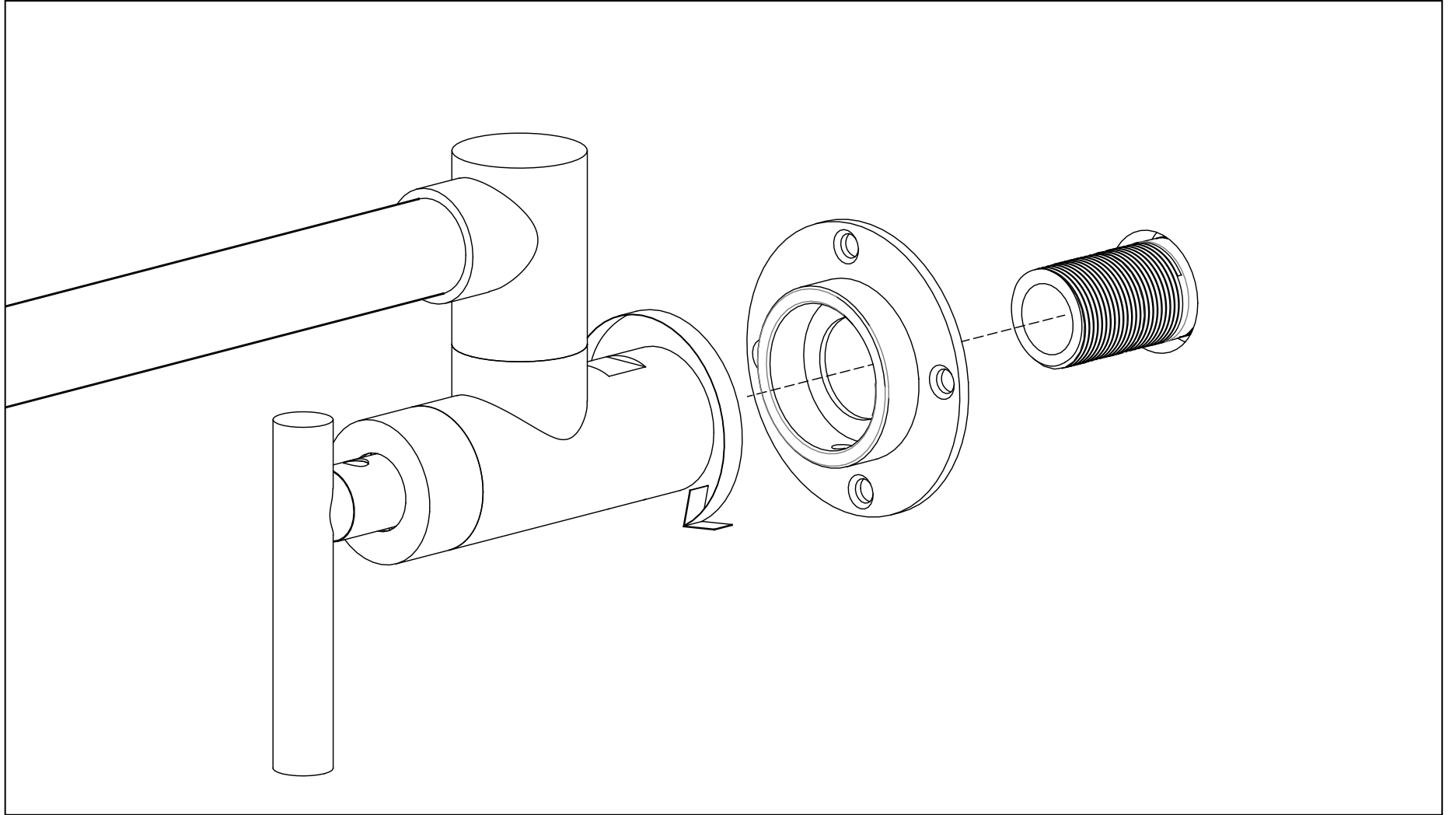
4.1 Apply sealant tape to the NPSM 1/2 to NPT1/2 nipple (NPT1/2 side).



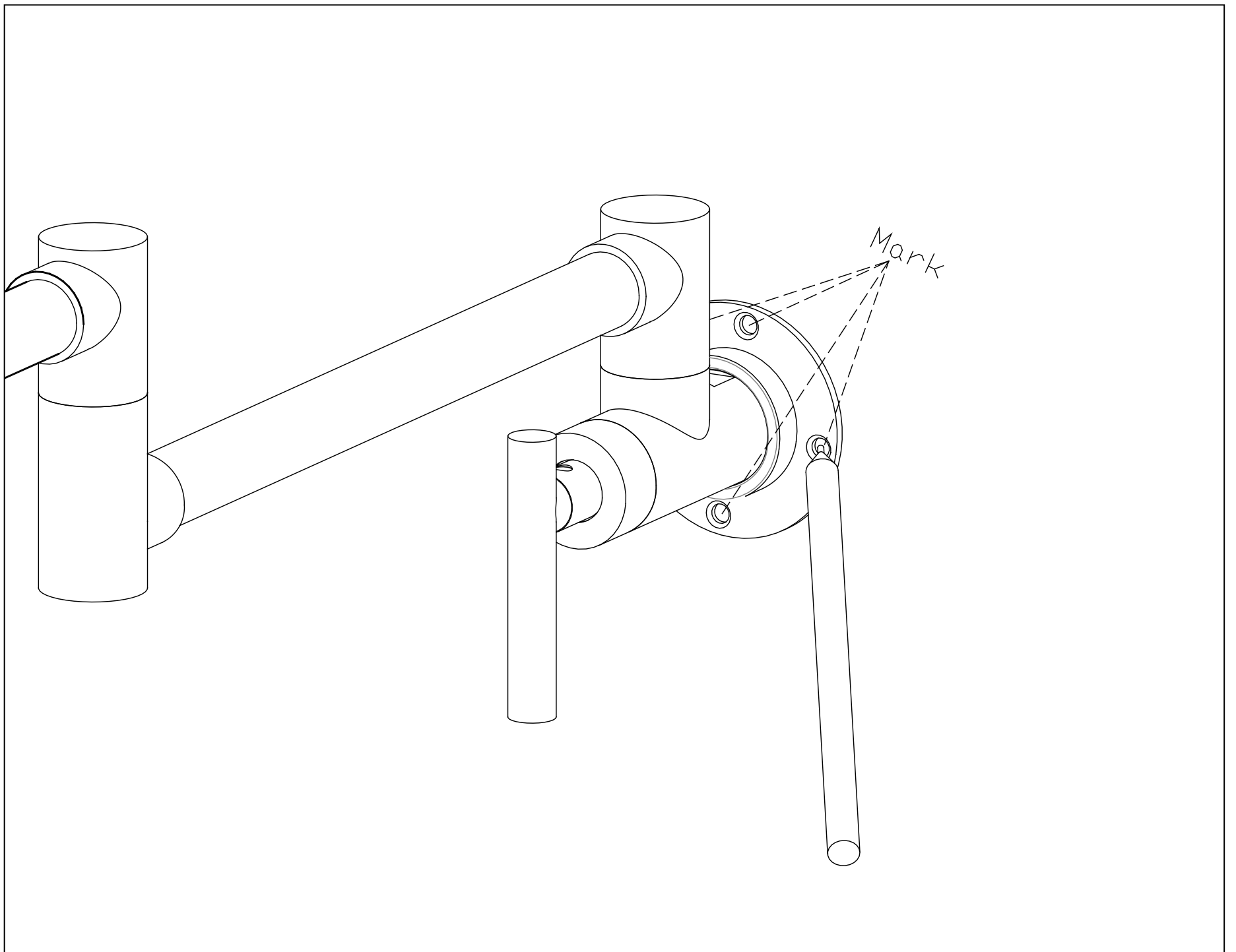
4.2 Connect to 1/2" NPT supply line by Allen key. The nipple should extend Min 9/16" (15mm) and Max 1-3/16" (30mm) past the finished wall surface



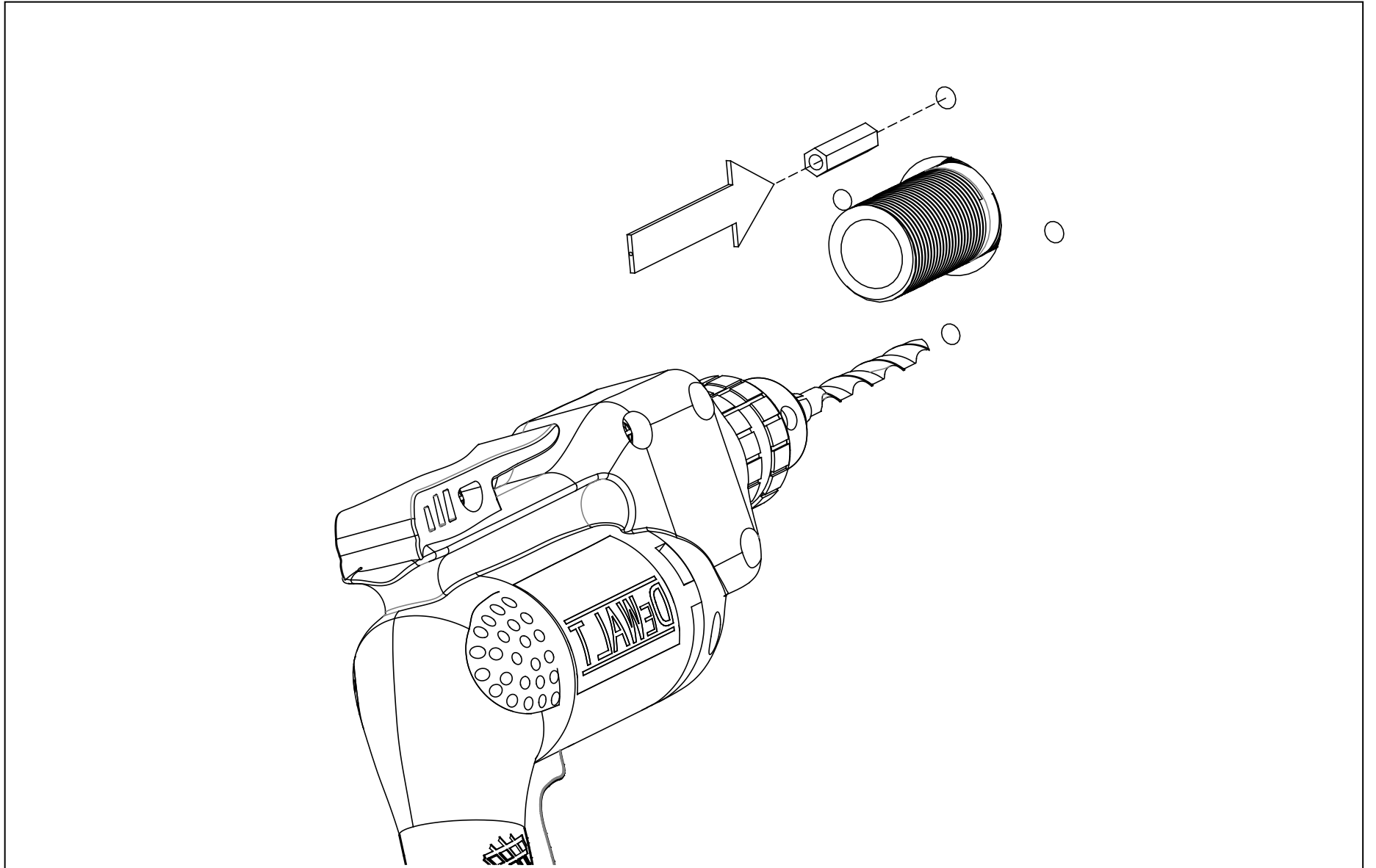
4.3 Place wall flange onto the faucet as shown. Thread faucet provided onto pipe.



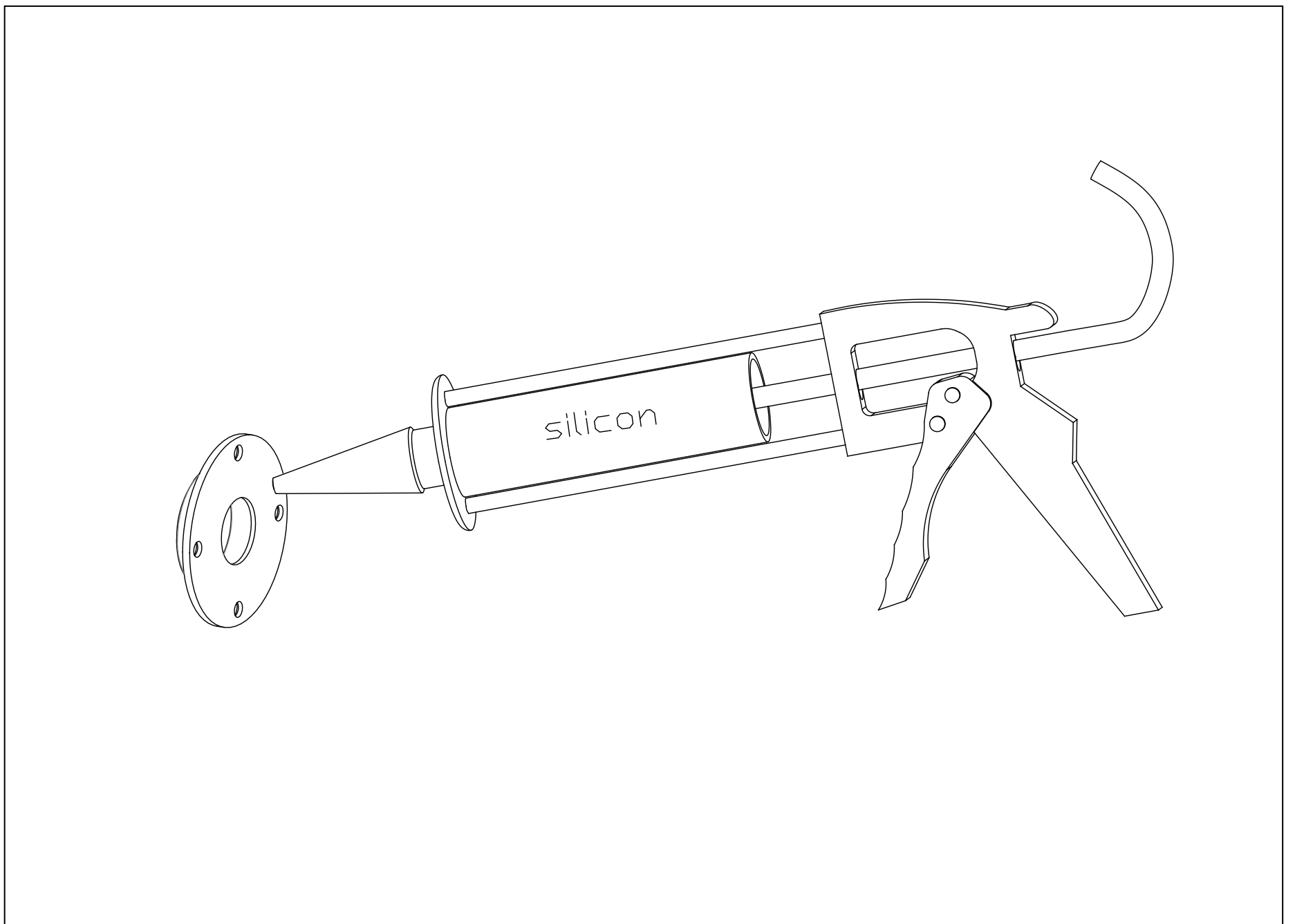
4.4 Mark the screw holes in the flange. Unthread the faucet the nipple.



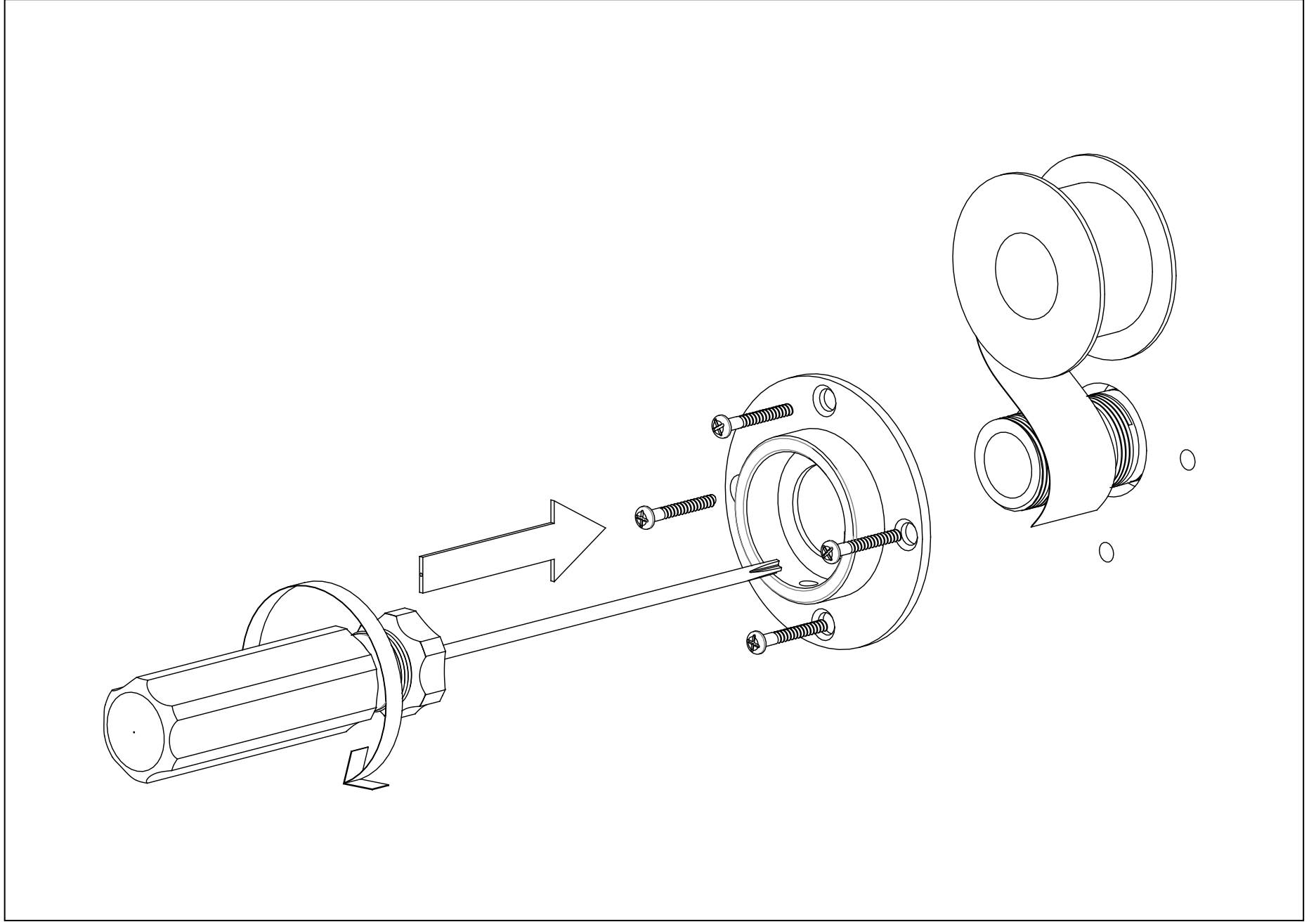
4.5 Drill 1/8" (3 mm) holes where marked. If using the anchors, drill 3/16" (4.5 mm) holes.



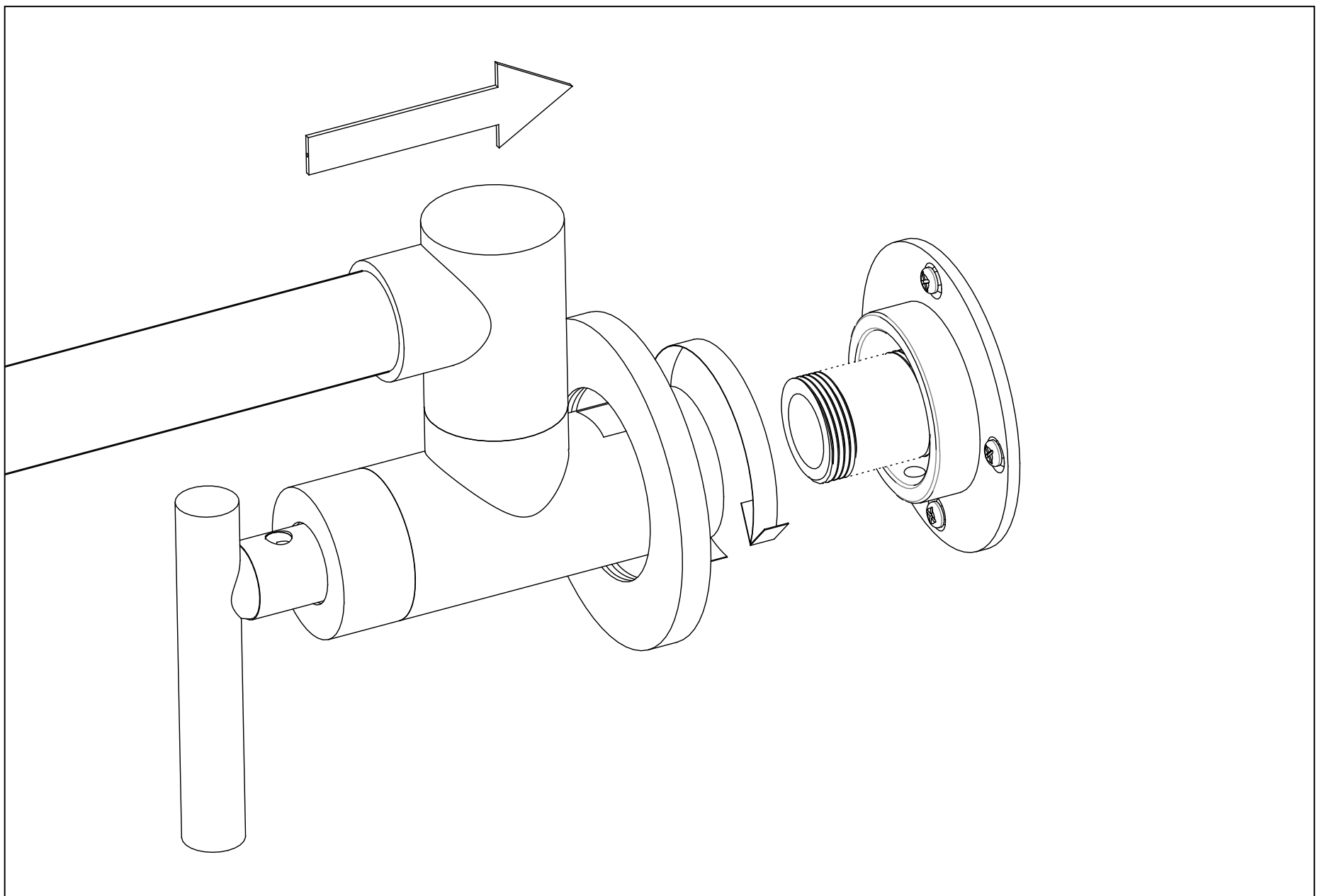
4.6 Seal the backside of wall flange with waterproof sealant



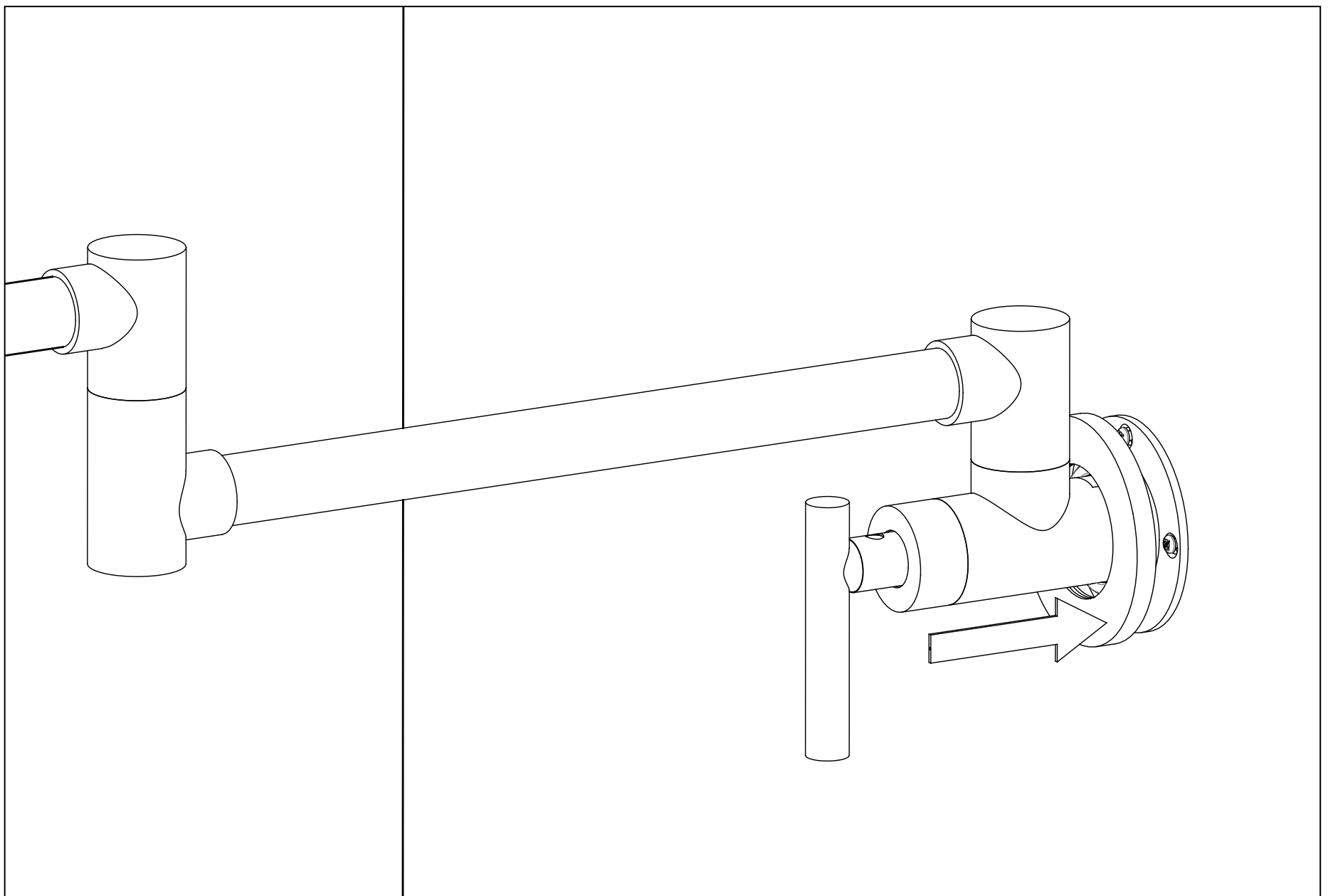
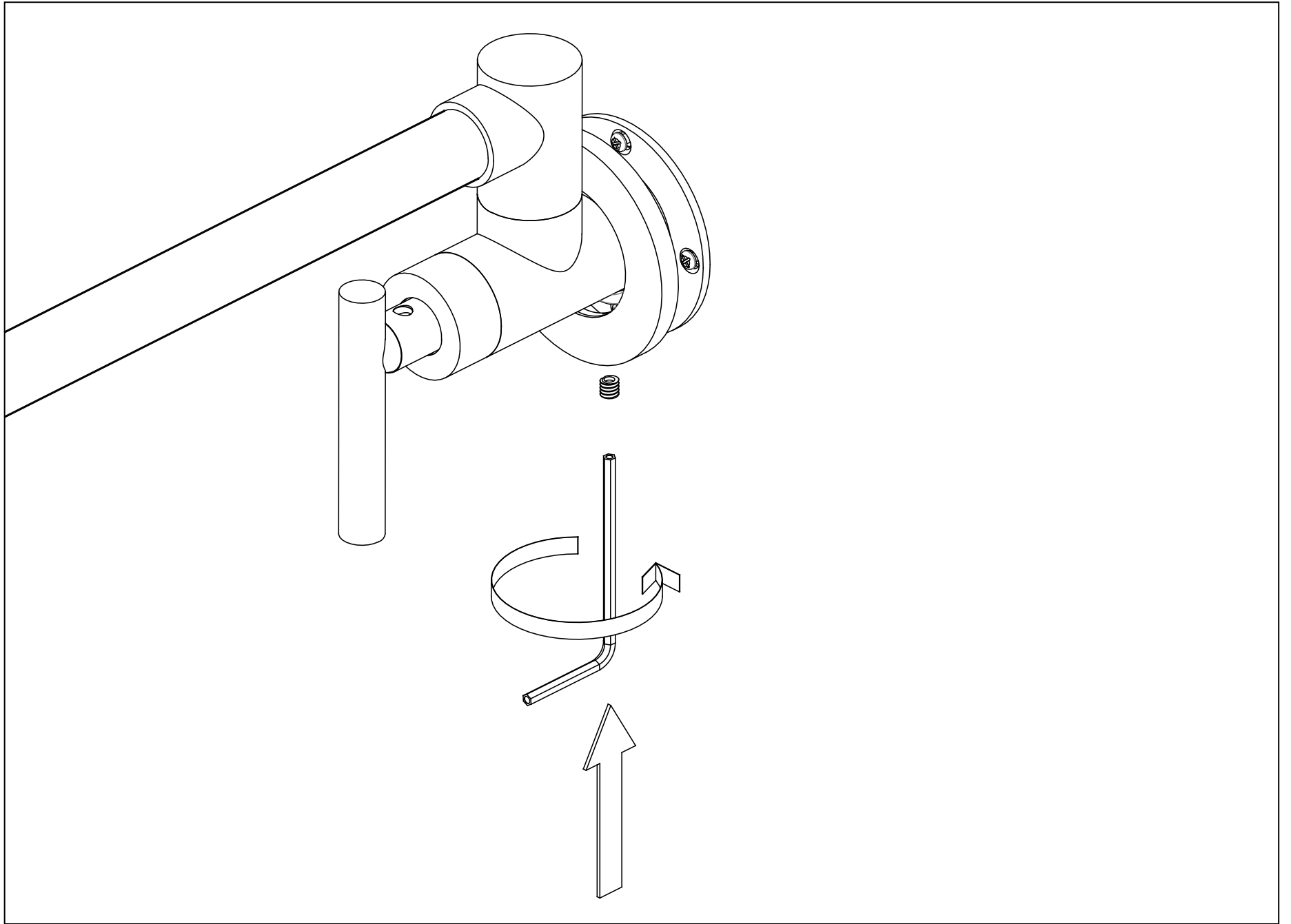
4.7 Wrap Teflon tape around nipple threads (NPSM 1/2). Install the wall flange using the 4 screws (and anchors if required) provided.



4.8 Place flange trim onto the faucet as shown. Thread faucet onto nipple. Tighten securely, but do not over tighten.

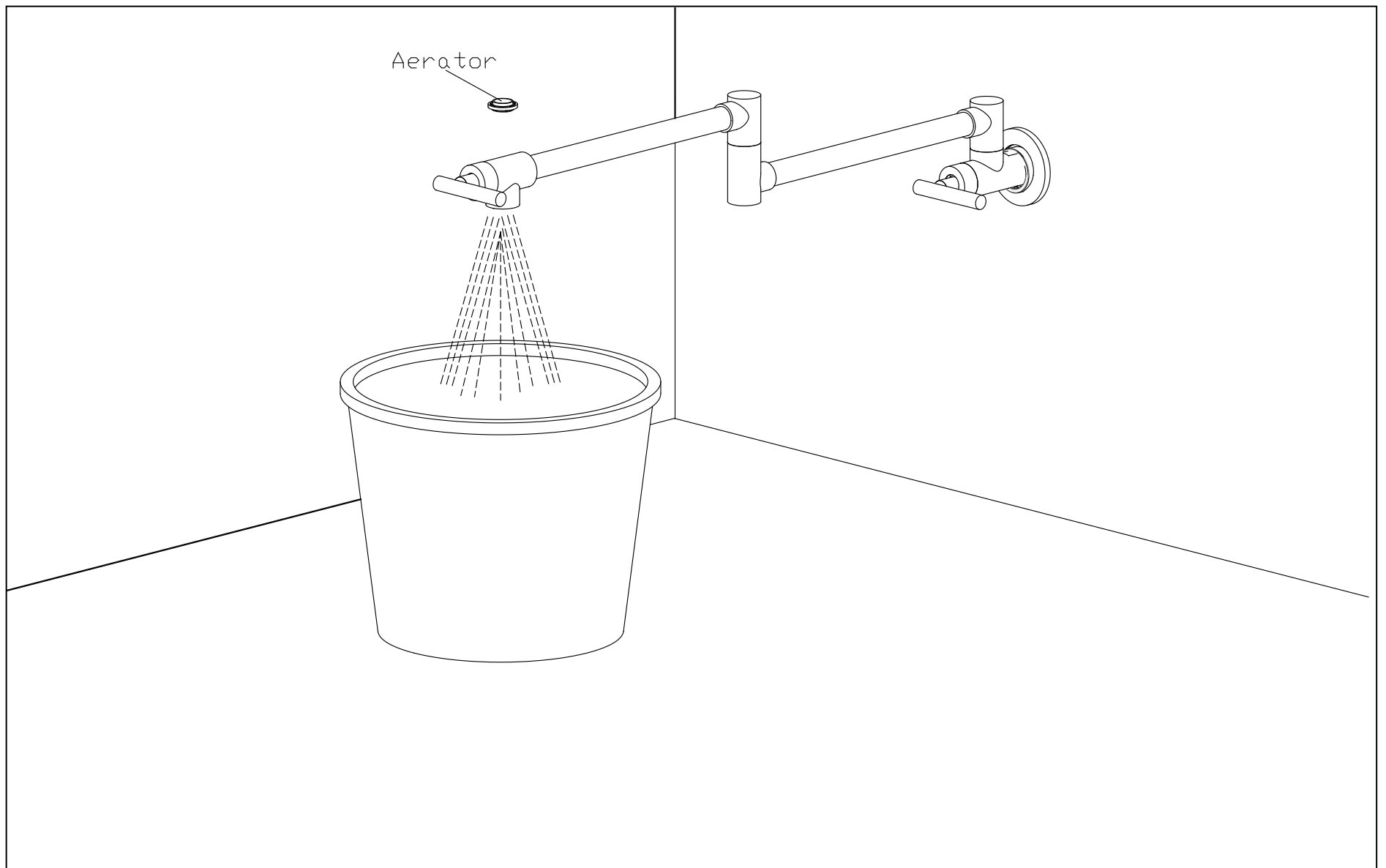


4.9 Tighten set screw in flange. Slide flange trim over the wall flange.



4.10 Remove aerator and turn faucet handles to the full on position. Turn on cold water supplies and flush water lines for one minute.

Important: This flushes away any debris that could cause damage to internal parts.



6. INSPECTION

6.1 Turn on cold water supply and check all connection for ensuring no leaking anywhere.

INSTALL FINISH

CLEARNING RECOMMENDATION FOR SUMERAIN PRODUCTS

Modern lavatory faucets, kitchen faucets, and showers consist of very different materials to comply with the needs of the market with regard to design and functionality. To avoid damage and returns, it is necessary to consider certain criteria when cleaning.

Cleaning Materials for faucets and showers

Acids are a necessary ingredient of cleaning materials for removing lime, however please pay attention to the following points when cleaning faucets and showers:

- Only use cleaning materials which are explicitly intended for this type of application.
- Never use cleaning materials which contain hydrochloric, formic, phosphoric, or acetic acid, as they cause considerable damage.
- Never mix one cleaning material with another.
- Never use cleaning materials or appliances with an abrasive effect, such as unsuitable cleaning powders, sponge pads, or micro fiber cloths.

Cleaning instructions for faucets and showers

Please follow the cleaning material manufacturer's instructions. In addition, pay attention to the following points:

- Clean the faucets and showers as and when required.
- Use the amount of cleaning product and the amount of time recommended by the manufacturer. Do not leave the cleaner on the fixture longer than necessary.
- Regular cleaning can prevent calcification, if scale deposits are noticed on the faucet surface or the spout, you can clean it by a commercial limescale remover, such as Lime-Away® or CLR®. Dilute the remover according to the label instructions.
- The faucets might have some rusty if your faucet under hard water condition, please rub it with aluminum foil dipped in water until the surface is nice and smooth, and wipe it use a small amount of chrome polish or maybe something like car wax (such as Meguiar®, Turtle Wax®) or polish.
- For stainless steel faucet and spout both made of solid stainless, normally this finish has not protective coating on it (in particular waterfall spout inside), stainless steel is by its material nature very tarnish resistant, but by no means tarnish or stain proof. This finish might oxidize naturally over time and react to its environment. Keep your stainless fixture wiped clean and dry and use only a cleaner specifically made for stainless steel (such as Weiman®, CLR®).
- When using spray cleaners, spray first onto a soft cloth or sponge, never spray directly onto the faucet as droplets can enter openings and gaps and cause damage.
- After cleaning, rinse thoroughly with clean water to remove any cleaner residue.

Important

Residues of liquid soaps, shampoos, and shower foams can also cause damage, so rinse with clean water after using.



Please note: if the surface is already damaged, the effect of cleaning materials will cause further damage.

**Components with damaged surfaces must be replaced or injury could result.
Damage caused by improper treatment is not covered under the warranty.**

TROUBLESHOOTING

Symptom	Solution
Faucet leaks from the handle	A. Tighten the packing nut B. Replace the "O" ring or packing
The water pressure is too low	A. Make sure the water supply valves under the sink are turned on all the way B. Clean or replace the aerator C. Check plumbing system for water pressure problems
The spout sprays water all over	A. Clean or replace the aerator B. Replace the aerator washer
Water is leaking from the faucet under the sink	A. Check the water supply connections to the faucet B. Inspect the water supply lines or hoses for leaks
Handle is loose	A. Remove the cap and tighten the screw B. Locate and tighten the hex set screw C. Remove the handle and check for stripped teeth on the stem.
If faucet leaks out of spout or handle	A. Replace valve cartridge
Faucet exhibits very low flow	A. Remove and clean aerator



HONGKONG SUMERAIN SANITARY INDUSTRY CO.,LIMITED

Address: ROOM 1018, HOLLYWOOD PLAZA 610 NATHAN ROAD MONGKOK, KL
 Factory Address: Shuikou Industrial Park, Kaiping City, Guangdong Province, China (Mainland)
 Tel: +86-750-2731579
 Fax: +86-750-2715258
 Web: www.sumerain.com
 E-mail: hk@sumerain.com

SUMERAIN INTERNATIONAL GROUP – AMERICA Branch

Address: 13455 Harper Dr.
 Saratoga, CA 95070
 USA
 Tel: +1-408-867-8884
 FAX: +1-408-867-4272
 E-mail: us@sumerain.com

SUMERAIN INTERNATIONAL GROUP – Verkaufsniederlassung in Deutschland [EUROPE]

Adresse: Der Ecke, Moellendorffstr. 108,
 10367 Berlin
 Deutschland
 Tel: +49 (0)30/23975898
 E-mail: de@sumerain.com