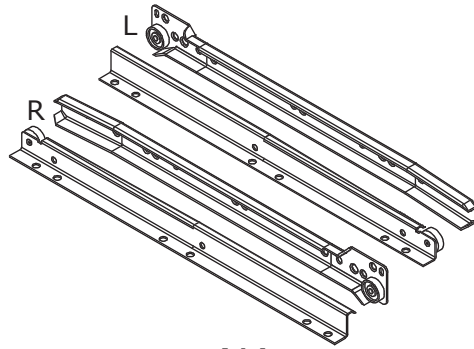
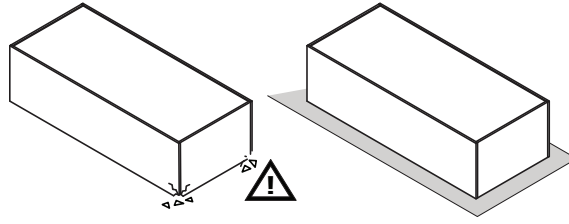
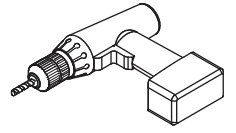
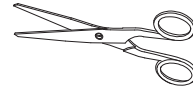
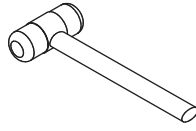
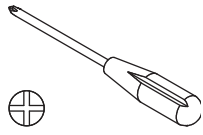
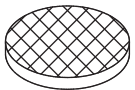


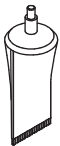
1h



A14
x1



H139
x4



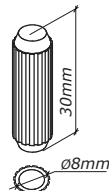
H14
x1



V13
x4



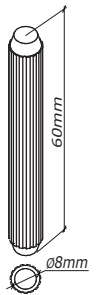
H113
x2



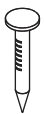
H1
x8



V5
x10



H82
x2



H15
x5



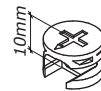
H2
x6



T28
x10



T7
x12



T98
x2



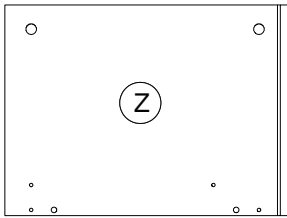
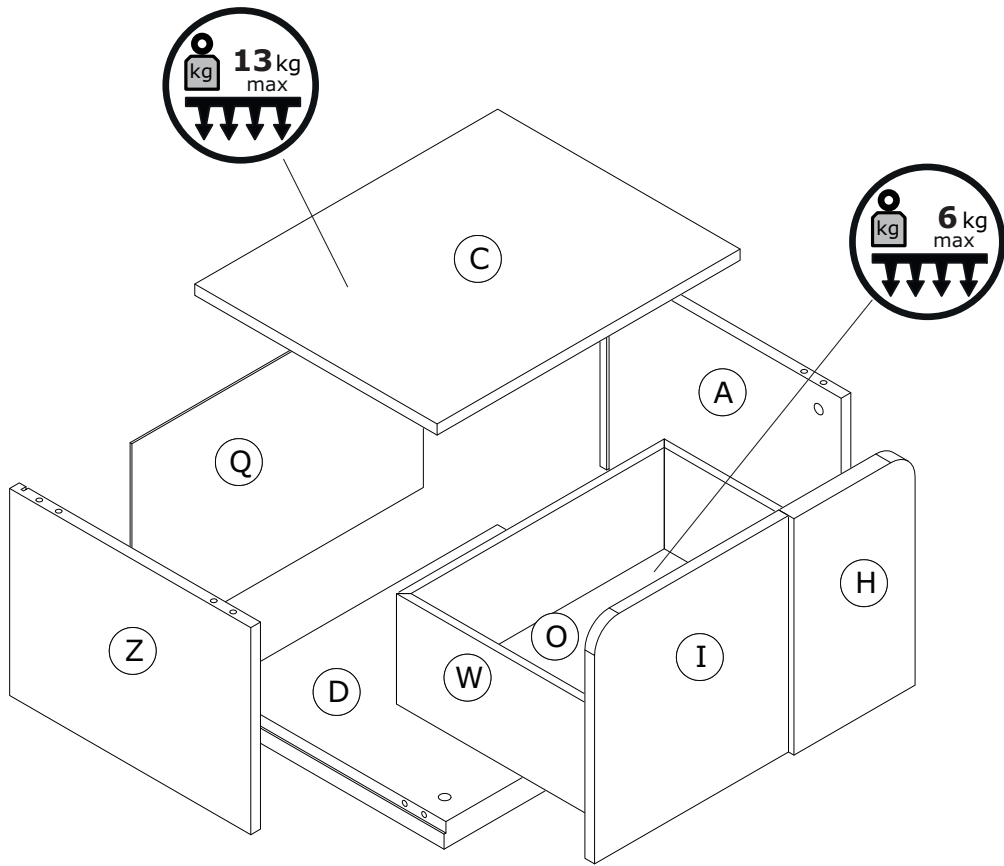
G128
x2



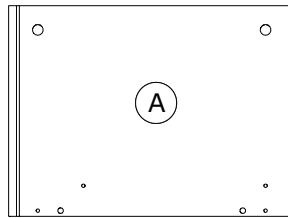
G57
x6



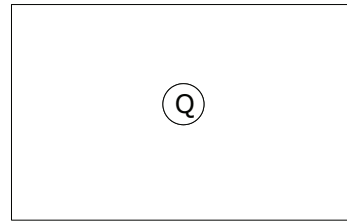
T119
x2



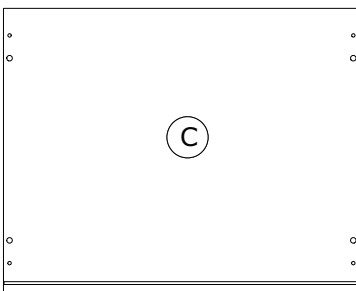
FI7419
296x398x16mm



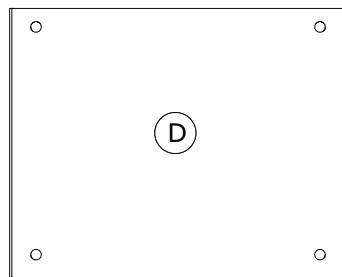
FI7417
296x398x16mm



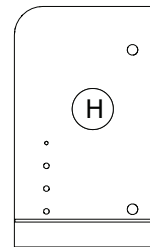
SH2784
481x303x3mm



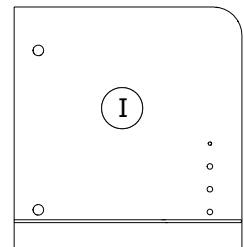
CA3028
500x400x16mm



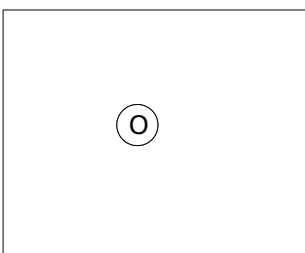
BA1841
473x382x38mm



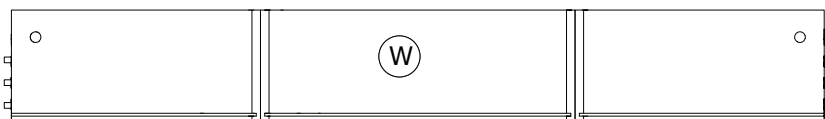
CS2533
200x338x25mm



CS2535
320x338x16mm

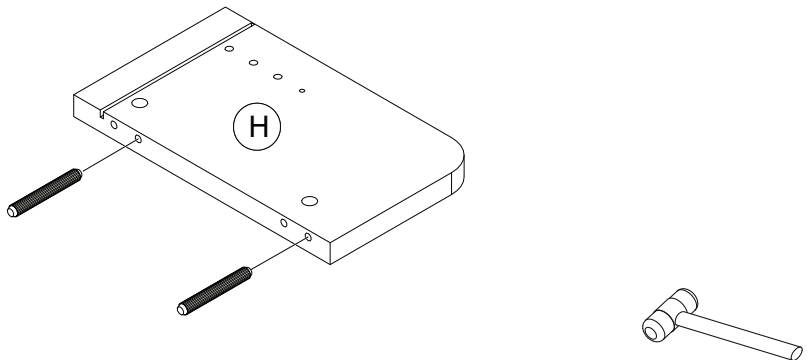
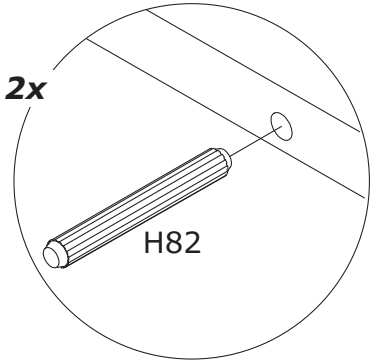


SH2785
429x351x3mm

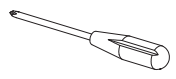
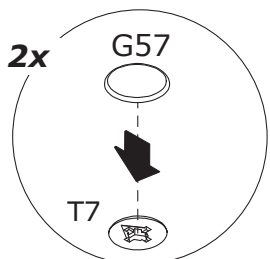
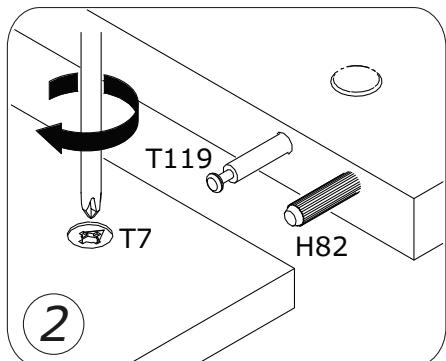
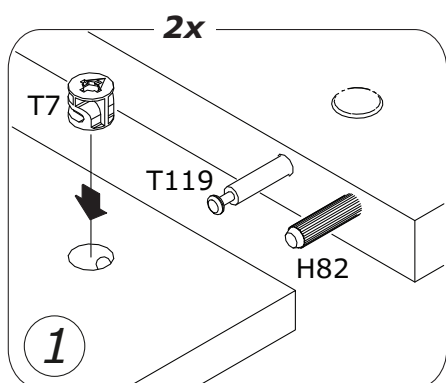
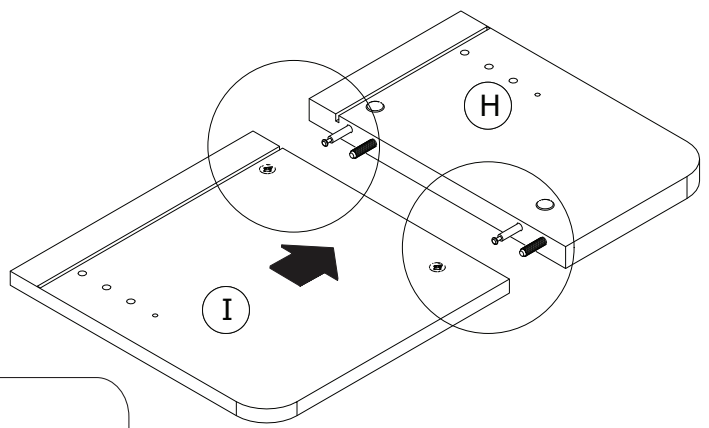
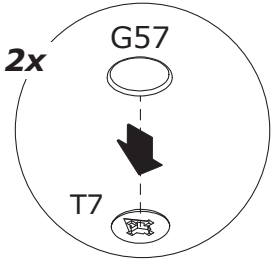
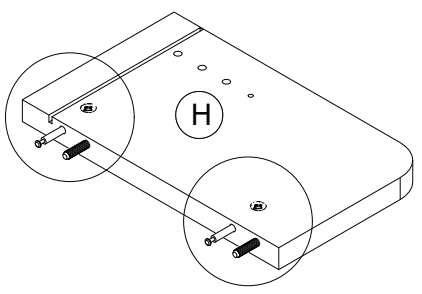
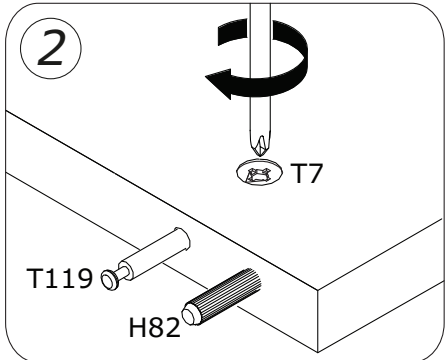
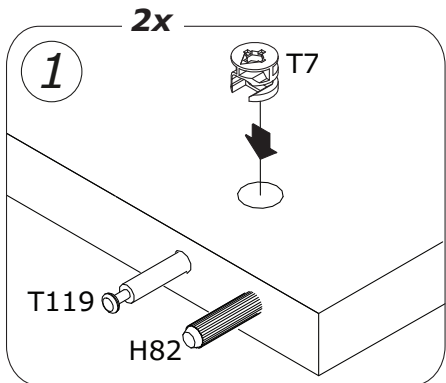
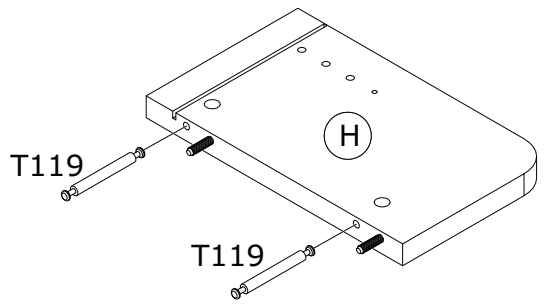
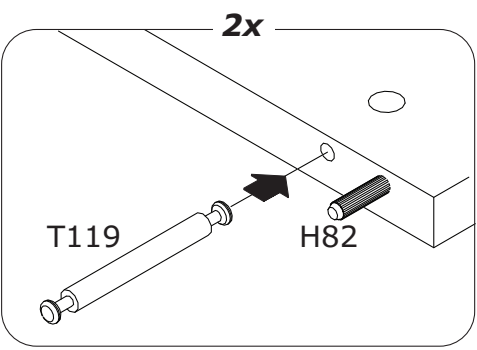


OF0362
350x442x350mm H.158mm

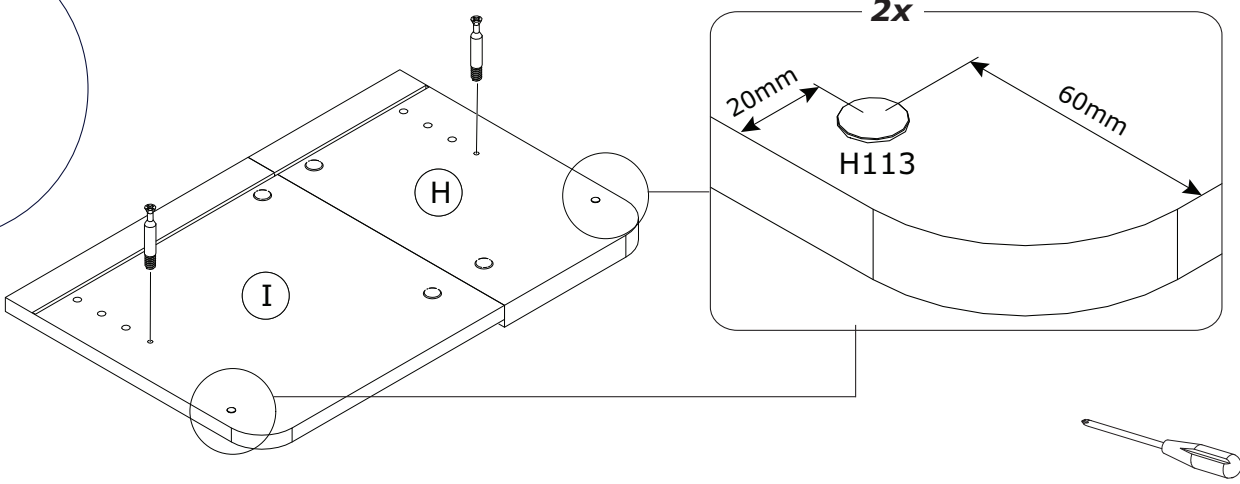
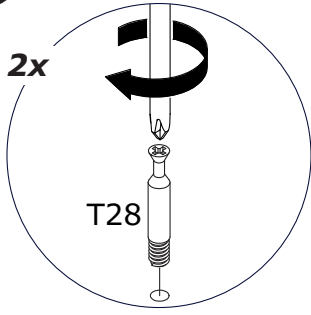
1



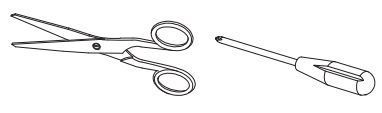
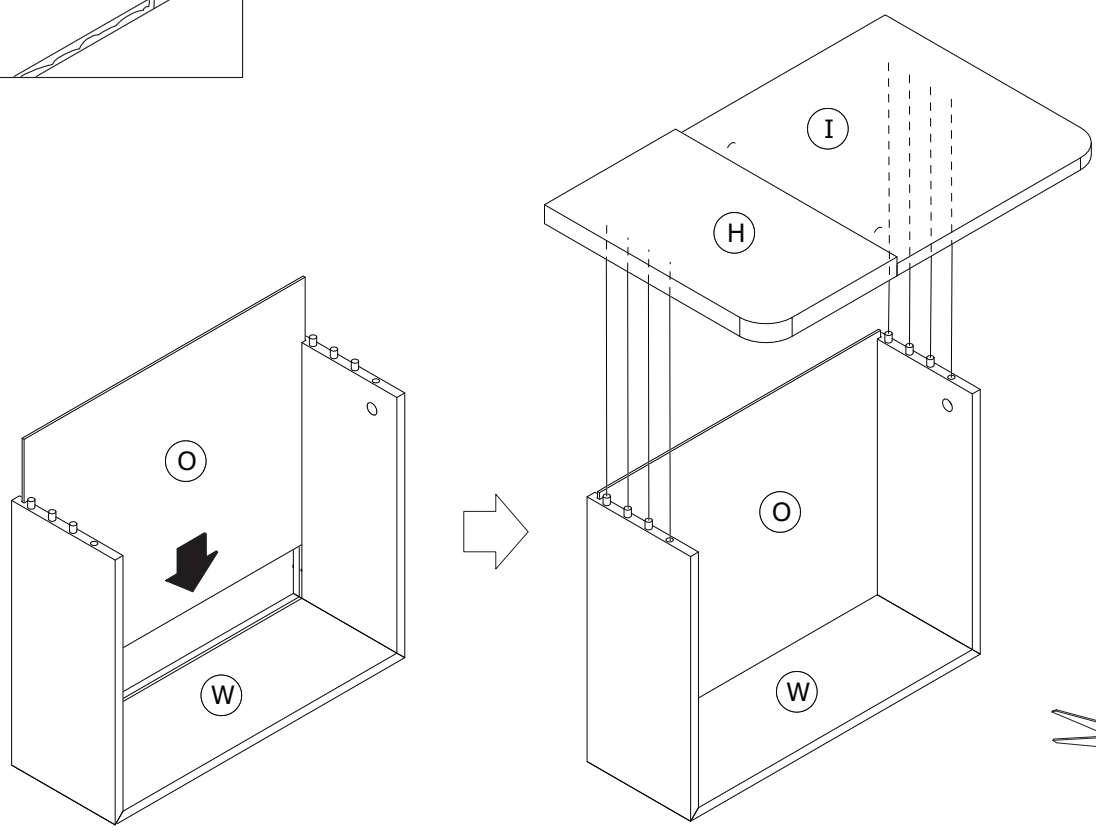
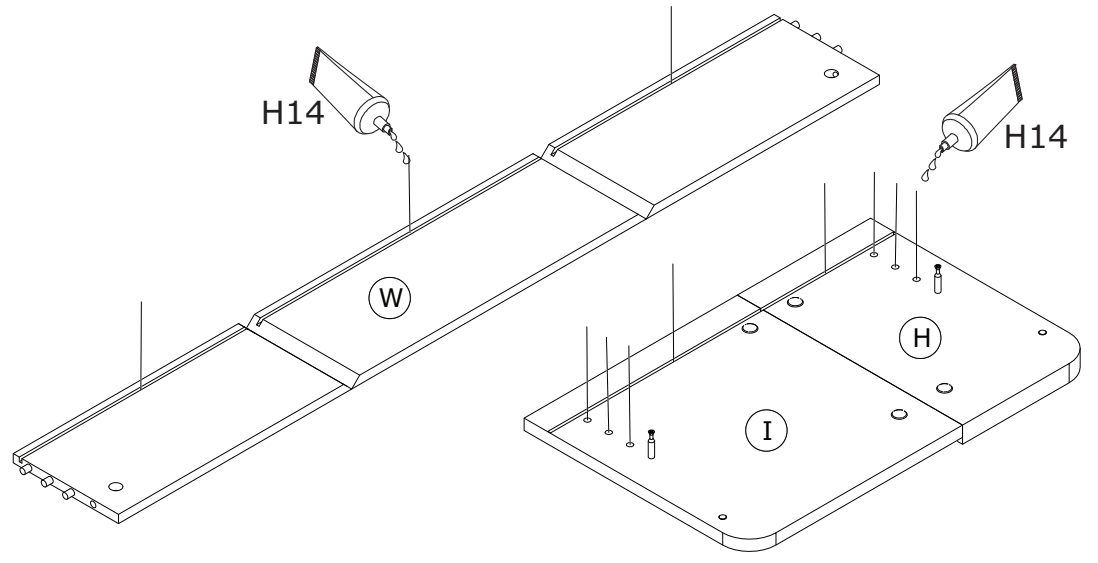
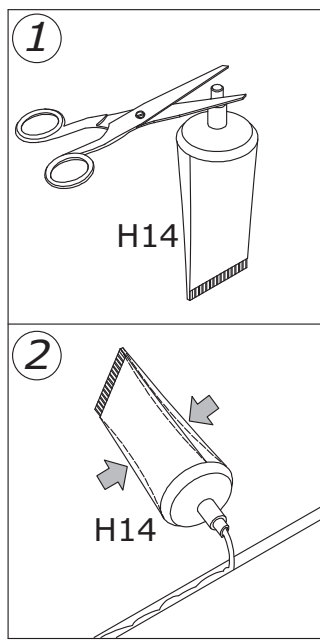
2



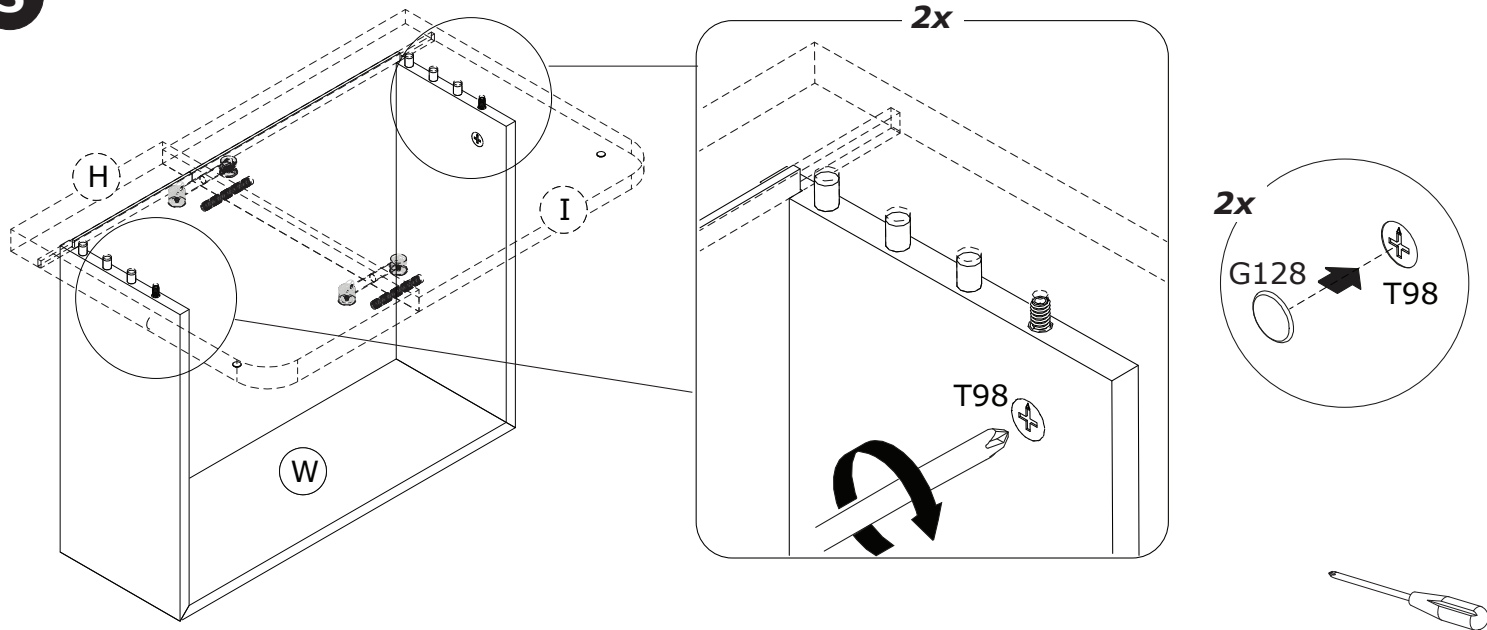
3



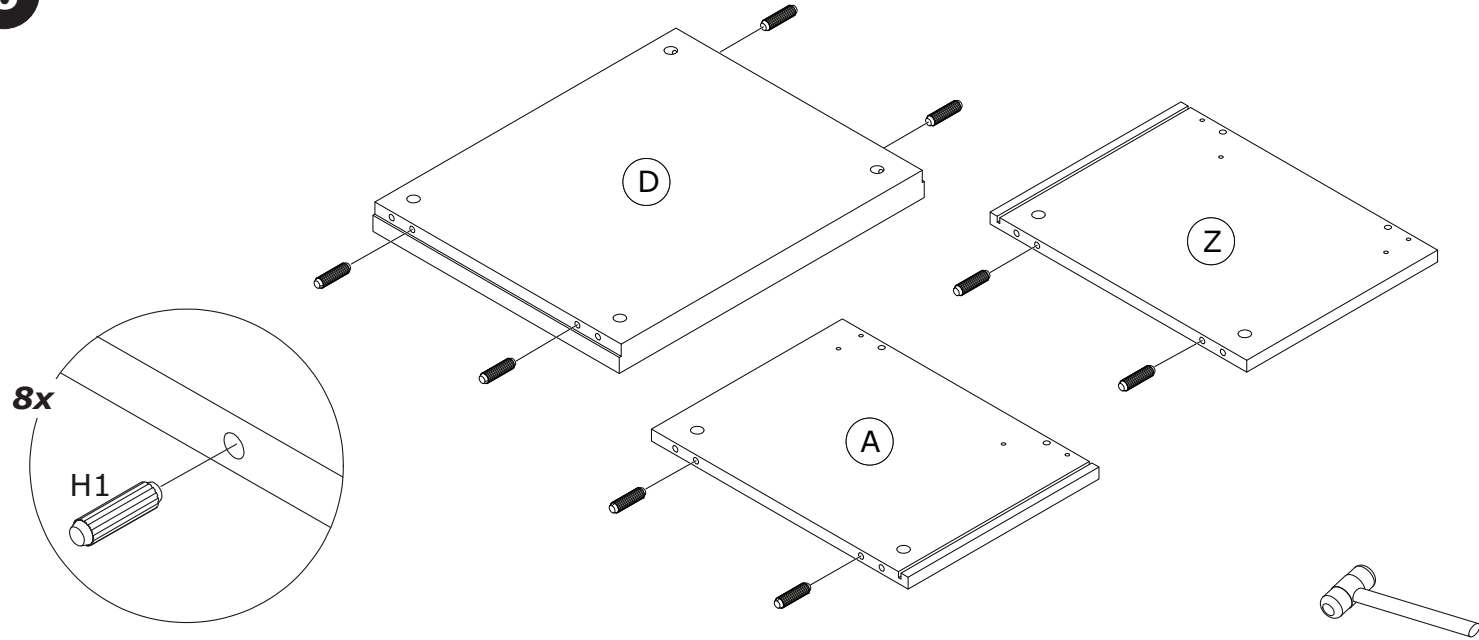
4



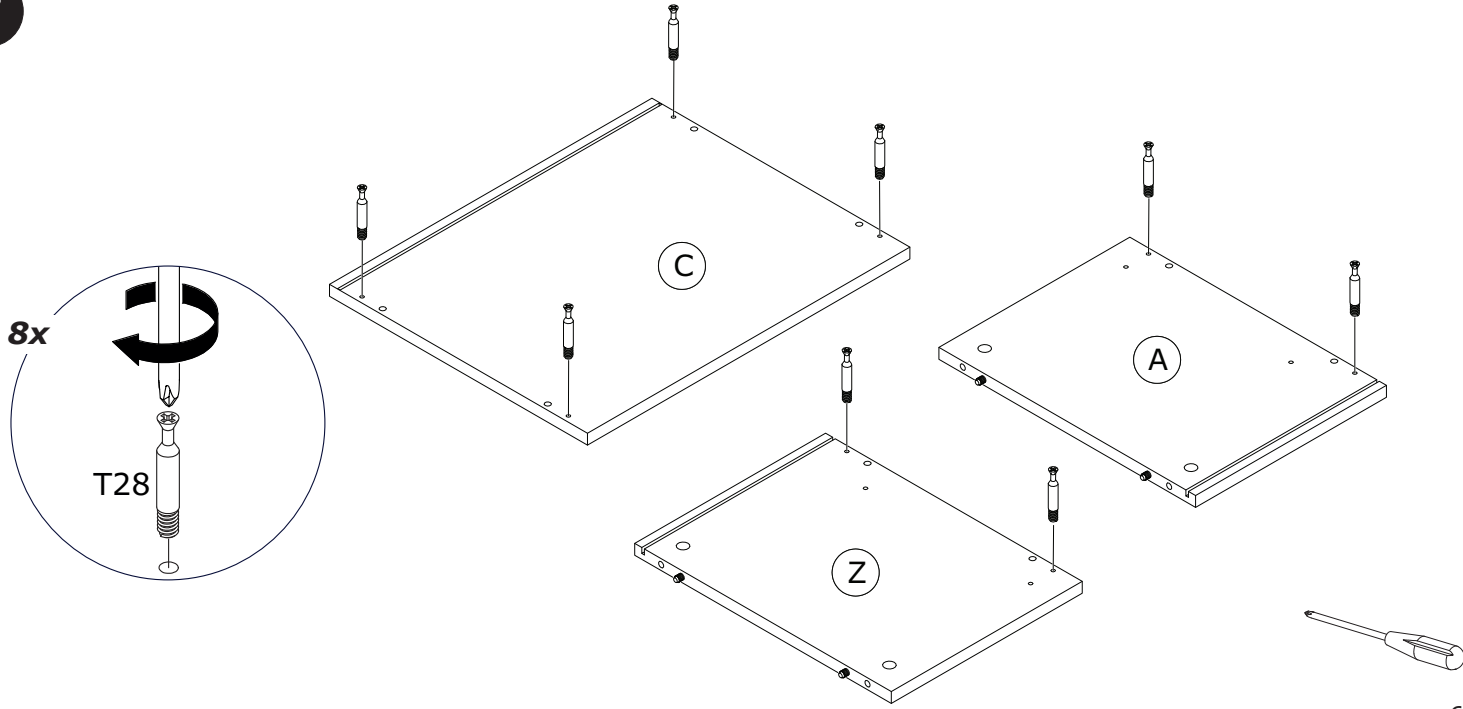
5



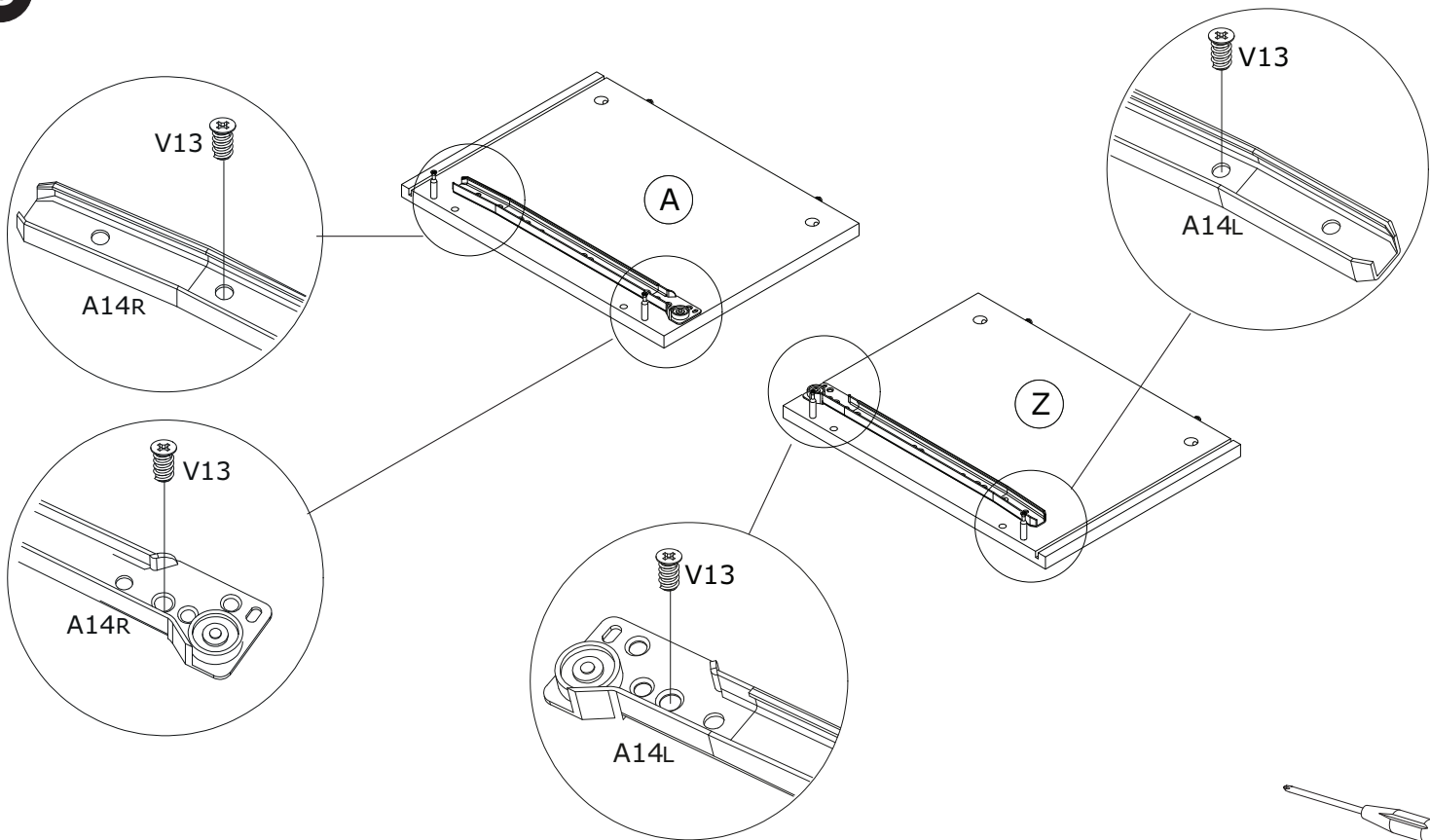
6



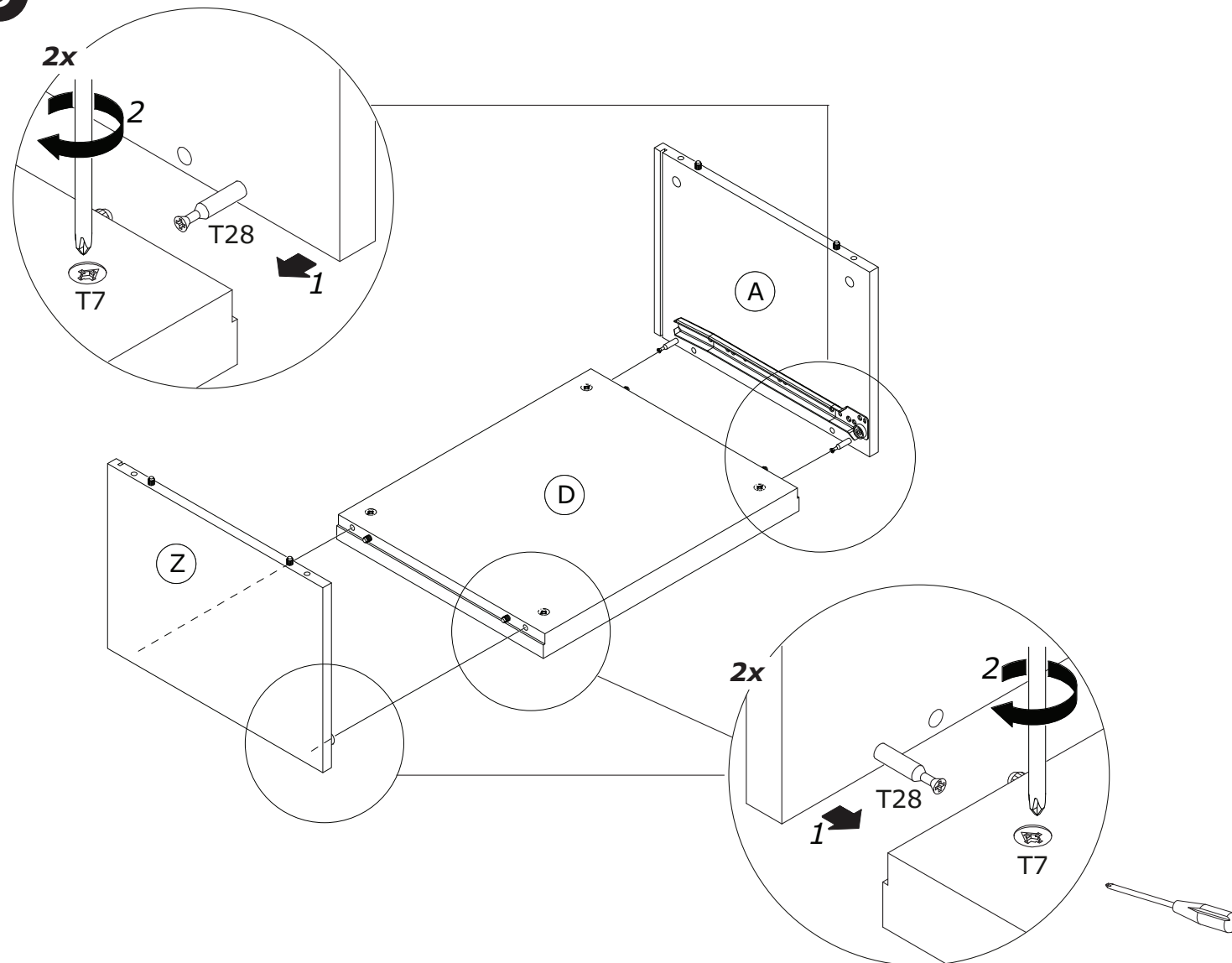
7



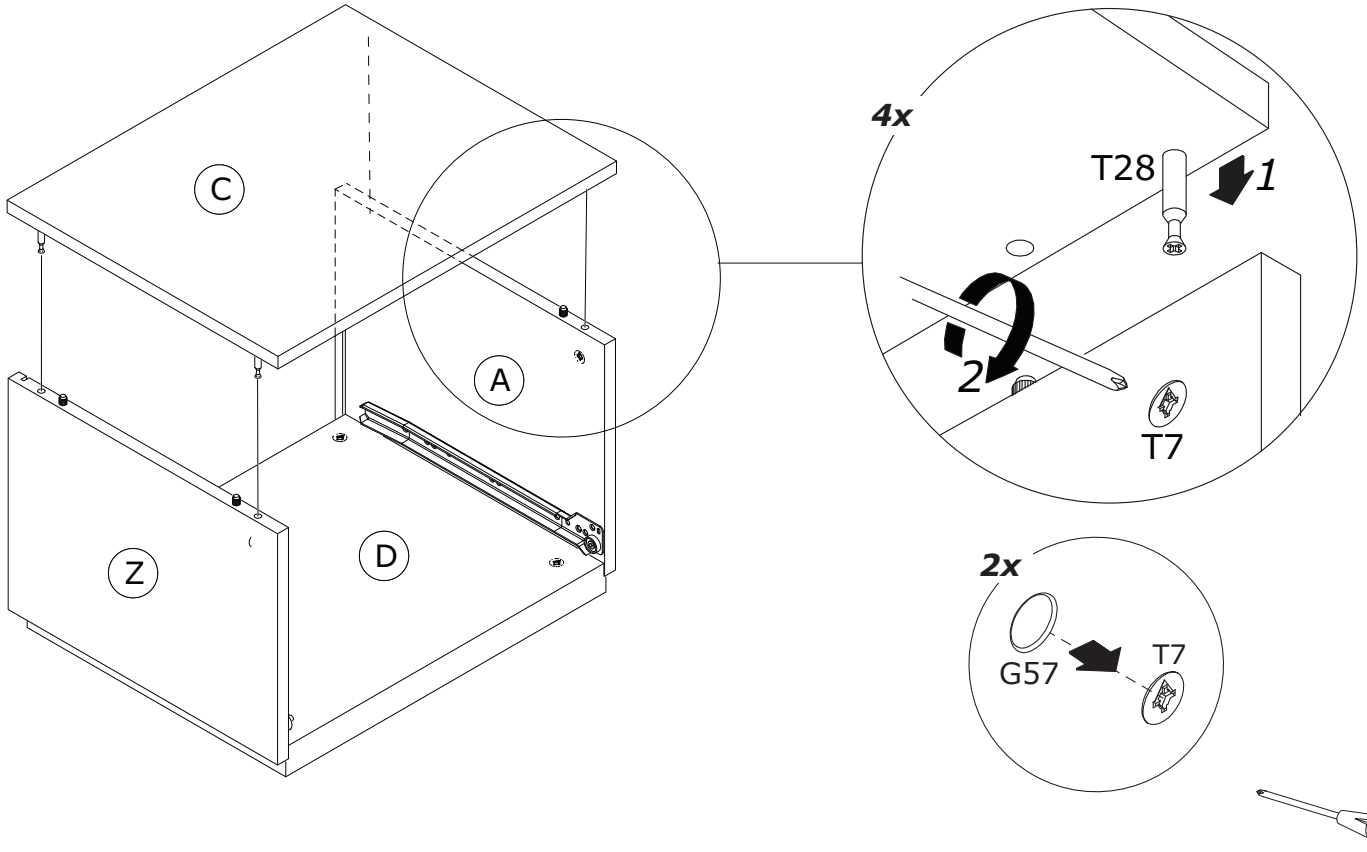
8



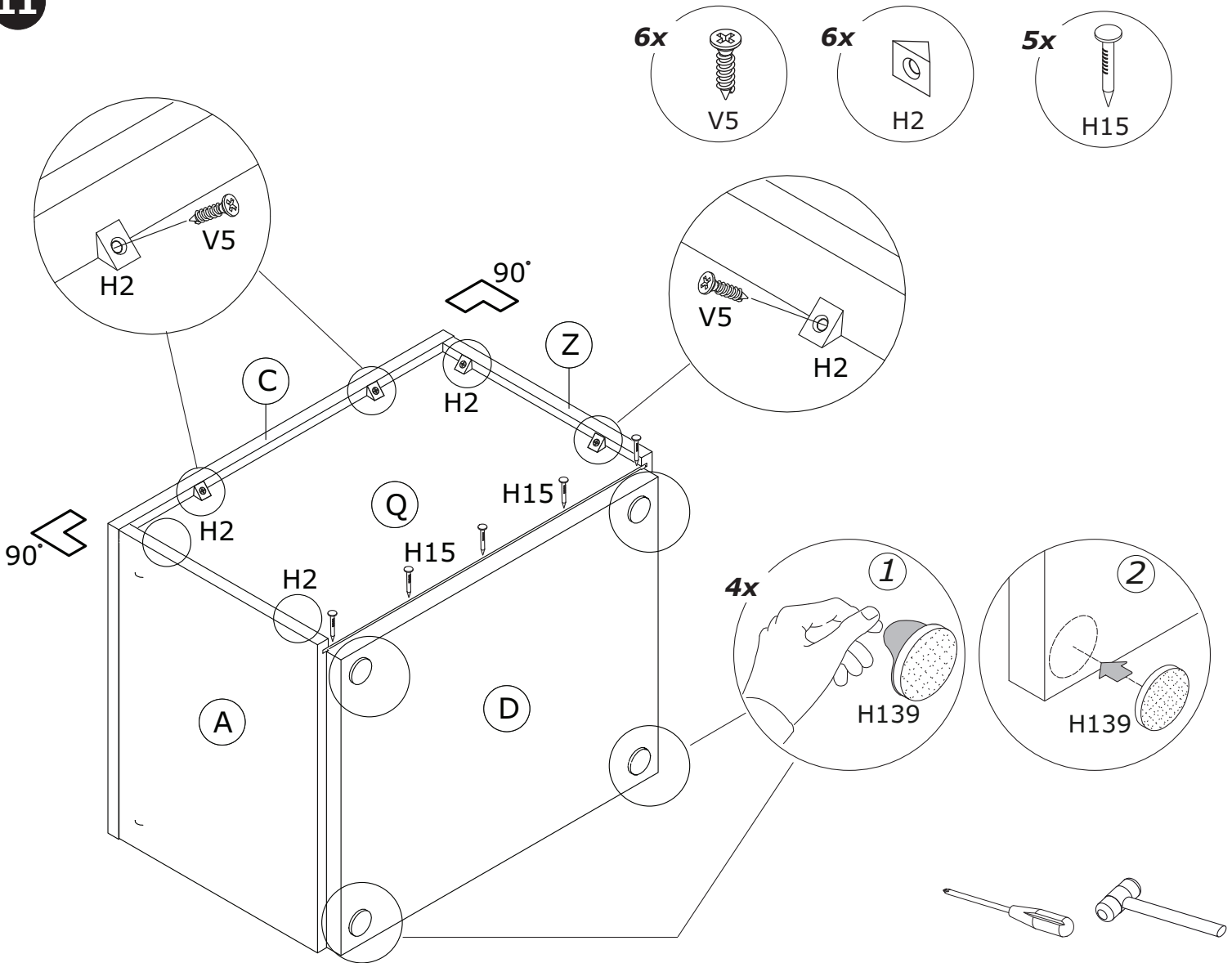
9



10



11



12

4x

