










Assembly Instructions

Caution : You must read this before you proceed

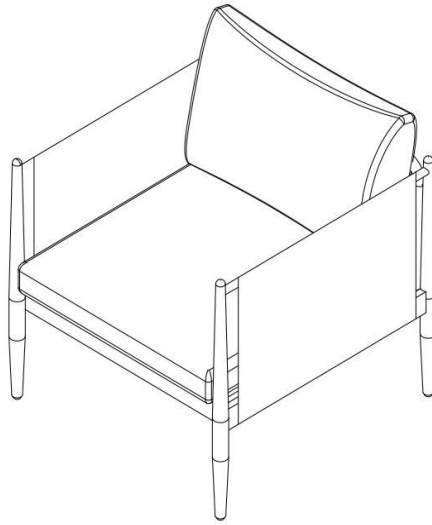
Care & Maintenance

- ⊘  ● Not for commercial use. For residential use only.
- ⊘  ● Do not put hot items directly on furniture surface.
- ⊘  ● Do not clean furniture with harsh cleansers or polish.
- ✓  ● To obtain the longest lifespan of your outdoor products, minimizing exposure to direct sunlight is recommended.
- ⊘  ● Children should not climb or jump on the furniture.
- ⊘  ● Do not write on furniture without a padded barrier to protect the surface.
- ✓  ● To obtain the longest lifespan of your outdoor products, avoid extended and lengthy exposure to rain, snow, and direct sunshine. Whenever possible cover the product and /or place under patio or awnings.
- ⊘  ● Stains may be removed with mild soap solution and damp cloth.

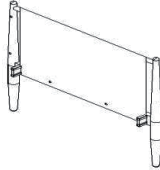

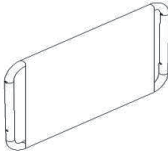
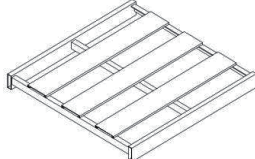
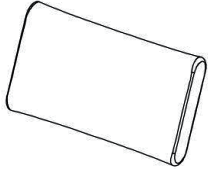
- ✓  ● Dust and pick-up spills using a clean, non-colored, lint-free cloth.

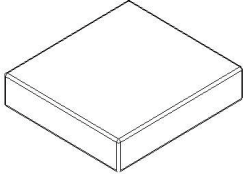
Please look in boxes for hardware packs and legs.
Sets often ship in multiple boxes and may arrive a day or two apart.

Chair







Parts List

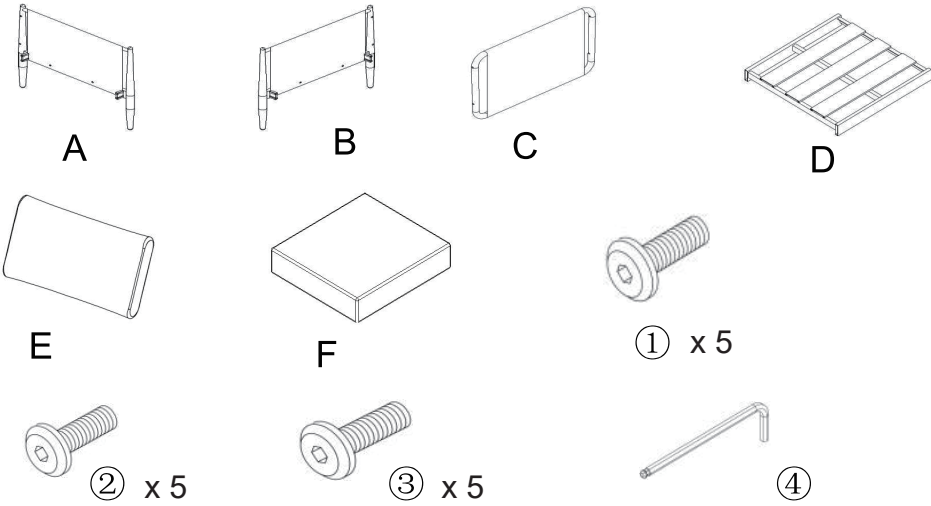
Label	Picture	Description	QTY
A		Right Side Panel	1
B		Left Side Panel	1
C		Back Support Bar	1
D		Seat	1
E		Back Cushion	1

F		Seat Cushion	1
---	---	--------------	---

Hardware

Label	Picture	Description	QTY
①		Bolt (M6*35MM)	5
②		Bolt (M6*20MM)	5
③		Bolt (M6*25MM)	5
④		Allen wrench	1

Assembly Preparation

Before Beginning Assembly:	
-----------------------------------	--



- Read instructions, cover to cover-



- Have 2 adults on hand for assembly-



- Do not assemble on flooring or carpet-



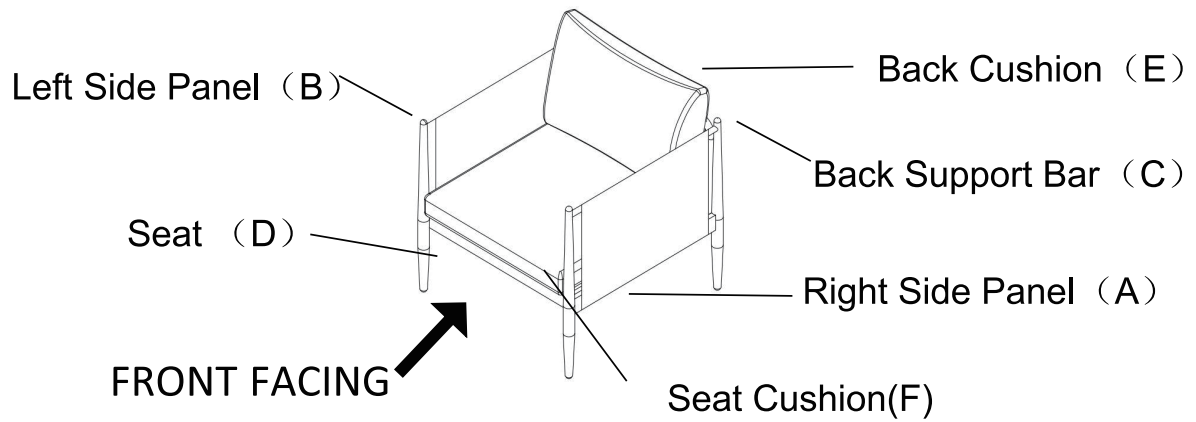
- Assemble on a clean non-marring surface (packing foam)-



- Save all packaging until finished-

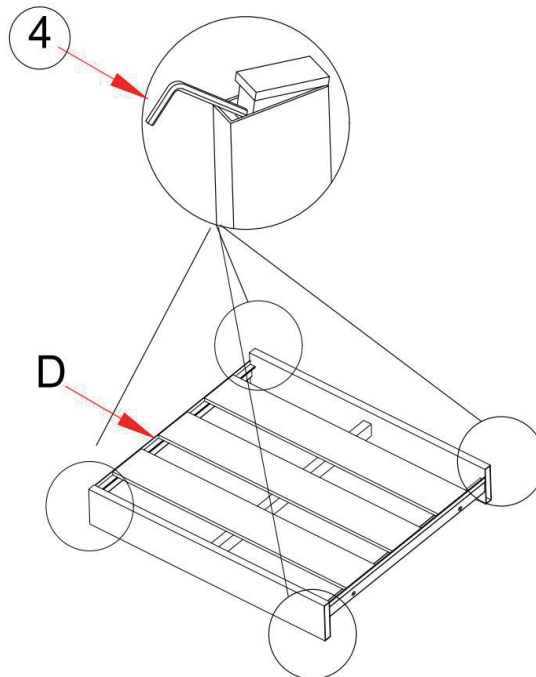
Assembly Steps

Overview



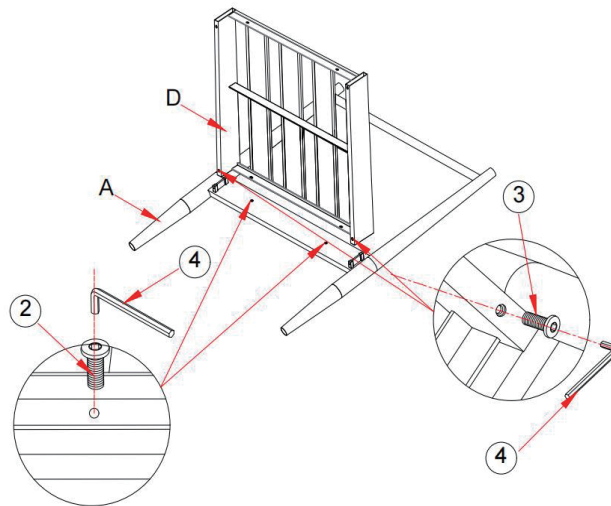
This Chair has multiple parts and may require up to 30 minutes to assemble. To give you an overview of the Chair parts, the above picture is to help you put the various parts into perspective. Please read through the instructions below to familiarise yourself with the parts and steps before assembly.

Step 1



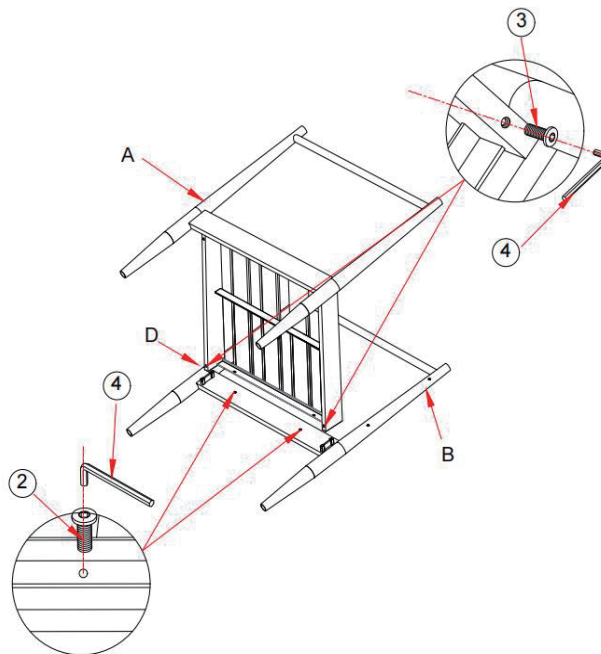
As shown in the figure, use accessory ④ to lift out the tube plug in part D. If necessary, keep the plastic plug for repackaging.

Step 2



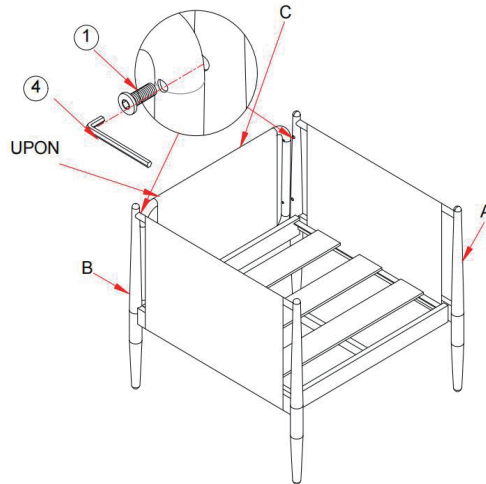
Open the carton and place all parts on a clean, unbroken surface. Insert the seat (D) into the left panel (A) as shown in the figure. Use the Allen wrench (④) to lock the screw (②). Do not lock the screw (②) completely. Use the Allen wrench (④) to lock the screw (③) completely before locking the screw (②) To match the installation position.

Step 3



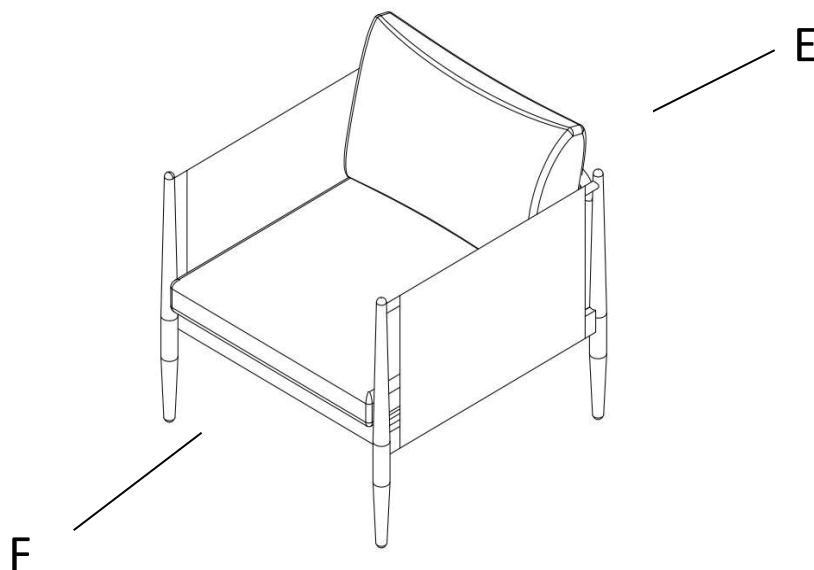
Install the part (D) on the part (B) as shown in the figure. Use the Allen wrench (④) to lock the screw (②). Do not lock the screw (②) completely. Use the Allen wrench (④) to lock the screw (③) completely before locking the screw (②)

Step 4



As shown in the figure, after part A/B/D is assembled, part (C) is completely locked with part A/B by using the hex wrench (④) lock screw (①) according to the hole position. The backrest with UPON indicates that it is facing up. Do not reverse it
Place the armchair upright to test its stability. Then tighten all the bolts at all joints in order

Step 4



Set up the Armchair

Place Armchair on a level surface. Check and ensure that all parts are fully connected.

Sit gently and carefully on the Armchair.

This will help align all the parts at all the joints.

Then carefully get up off the Armchair and tighten all the bolts in sequence. Place the seat cushion (E) and Back cushion (F) on the Armchair, and attach the magic tape from the back cushion to the seat cushion.

Your Armchair is ready.