

## Dalia C70

### Features

- Complete Vanity Unit
- Handles in Polished Chrome
- Wall-hung design offers a clean, streamlined look
- Two soft close drawers with organizer in upper drawer; Drawers with Hettich sliding system
- Includes integrated sink and vanity top in gloss white ceramic; sink has a faucet hole and an overflow
- Fully assembled with structure and front made of engineered wood in wood finishes and high gloss lacquered
- Handle integrated in front of furniture
- Hidden hanging bracket directly assembled with great resistance and depth regulations
- Made in Spain







### Related Items:

- WSBC 53991 | Push Waste Drain
- WSBC 53922 | Decorative Trap
- Dalia COL01 | Full Bathroom Column

### SKU# | Options:

- Dalia C70.100 WG | Glossy White
- Dalia C70.100 NO | Natural Oak
- Dalia C70.100 GP | Grey Pine
- Dalia C70.100 IM | Island Matte


### Finishes:

-  Glossy White
-  Natural Oak
-  Grey Pine
-  Island Matte

### Codes & Standards:

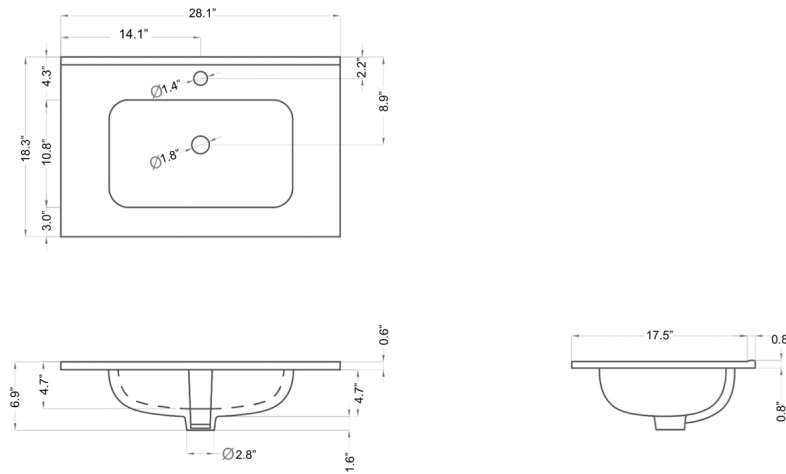
- CARB2 Compliant and Certified
- TSCA Compliant and Certified

\* WS Bath Collections reserves the right to revise dimensions or information on this sheet without notice

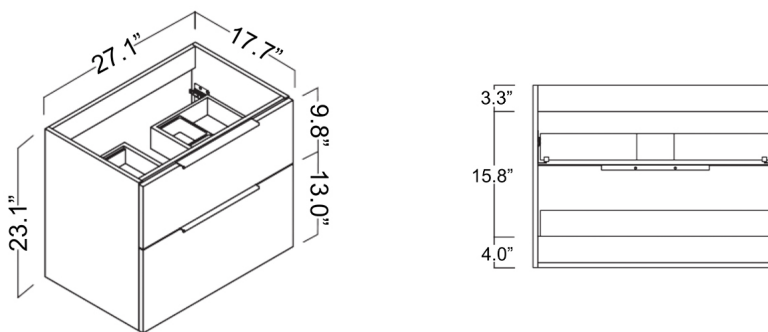
<b>Collection  </b> Dalia	<b>Model  </b> Dalia C70	Dimensions Metric <i>1 inch = 2.54 cm</i> <i>1 inch = 25.4 mm</i>	 1051 Lea Drive - Collegeville, PA 19426 Tel. 215 513 9400 - Fax 610 831 0215 <a href="http://www.ws bathcollections.com">www.ws bathcollections.com</a> - <a href="mailto:info@ws bathcollectins.com">info@ws bathcollectins.com</a>
------------------------------	-----------------------------	---	---

## Dalia C70

### Sink



### Base Unit



### Technical information



Organizer unit.



Adjustable front.



Soft close.



Hettich sliding system.



Glossy lacquered finish.

- Height and depth adjustable suspension with anti-detachment system.
- 2 adjustable drawers and door with silentslow closing and metal handles.
- 19 mm front / 16 mm side panels.

**Collection |**  
Dalia

**Model |**  
Dalia C70

Dimensions Metric

1 inch = 2.54 cm

1 inch = 25.4 mm

**WS**®  
**BATH**  
**COLLECTIONS**

1051 Lea Drive - Collegeville, PA 19426  
Tel. 215 513 9400 - Fax 610 831 0215

[www.ws bathcollections.com](http://www.ws bathcollections.com) - [info@ws bathcollectins.com](mailto:info@ws bathcollectins.com)

We recommend the following items that work with your sink.

**Dalia C70**

## TRAPS



WSBC 53922  
*Our best seller*

- Polished Chrome  
WSBC 53922.29
- Matte Black  
WSBC 53922.22



WSBC 5392

- Polished Chrome  
WSBC 5392.29



WSBC 53925

- Polished Chrome  
WSBC 53925.29



WSBC 53921  
*Space saving*

- Polished Chrome  
WSBC 53921.29
- Matte Black  
WSBC 53921.22

## DRAINS



WSBC 53991  
Push waste drain (click clack)  
*with overflow*

- |  |   |   |
|--|---|---|
| <ul style="list-style-type: none"> <li> Polished Chrome<br/>WSBC 53991.29</li> <li> Matte White<br/>WSBC 53991.26</li> </ul> | <ul style="list-style-type: none"> <li> Glossy White<br/>WSBC 53991.09</li> <li> Matte Black<br/>WSBC 53991.22</li> </ul> | <ul style="list-style-type: none"> <li> Glossy Black<br/>WSBC 53991.18</li> </ul> |
|--|---|---|

## MOUNTING HARDWARE

**Wall-Mount Installation**

**Vessel/Countertop Installation**



Bolts



Silicone (optional)

**Collection |**  
Dalia

**Model |**  
Dalia C70

Dimensions Metric

*1 inch = 2.54 cm*

*1 inch = 25.4 mm*



1051 Lea Drive - Collegeville, PA 19426  
Tel. 215 513 9400 - Fax 610 831 0215

[www.ws bathcollections.com](http://www.ws bathcollections.com) - [info@ws bathcollectins.com](mailto:info@ws bathcollectins.com)