

# Assembly Instructions

## Bed with flat headboard

### 50330-4-MVQ-1-MY









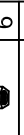



---

Please read over the instructions, it will be a time-saver in the long run.  
 Note: Before assembly, please be sure to work on a soft flat surface to avoid any damage to the finish.

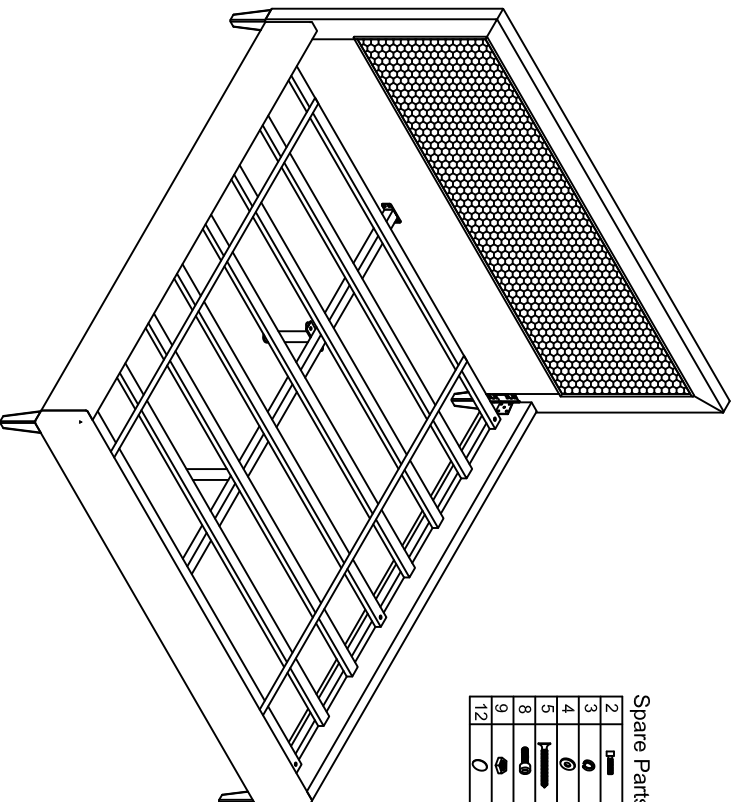
Please leave bolts loosened until all bolts are placed before tightening completely.

#### Hardware


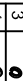
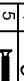
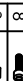
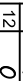


Where you can find

1		"L" Wrenches Ø4	1 pcs	Spare Parts carton box
1-1		"L" Wrenches Ø5	1 pcs	Spare Parts carton box
2		Bolt Ø6*25mm	8 pcs	Already in place
3		Spring Washer	8 pcs	Already in place
4		Flat Washer Ø16	8 pcs	Already in place
5		screws 5*40mm	6 pcs	Spare Parts carton box
6		Center leg	2 pcs	Spare Parts carton box
7		Metal center slat	1 pcs	Packed with side panel
8		Bolt Ø8*25mm	4 pcs	Connected to center leg (#6)
9		Nut	4 pcs	Connected to center leg (#6)
10		Legs	4 pcs	Spare Parts carton box
11		Buffer washer	4 pcs	Spare Parts carton box

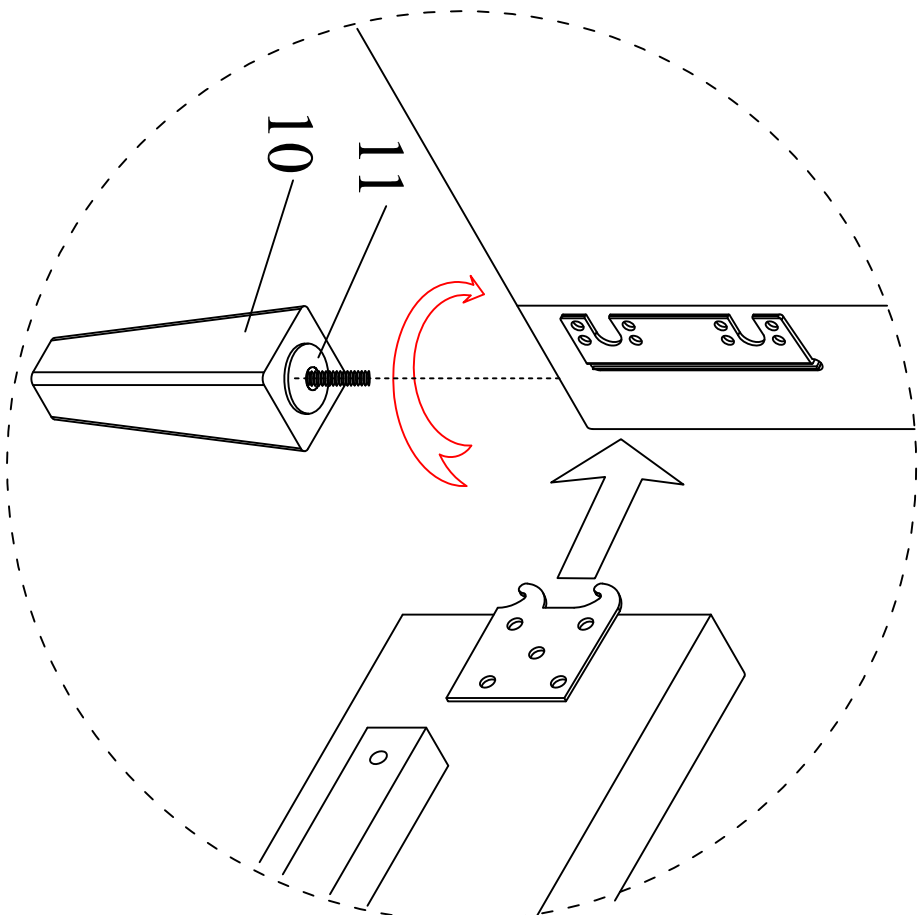
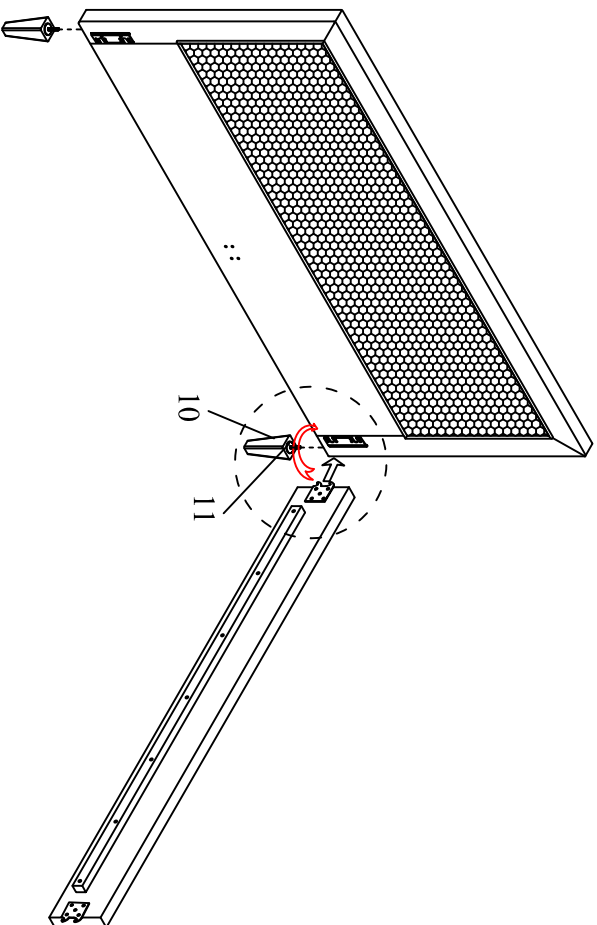
Screwdriver required, not included.



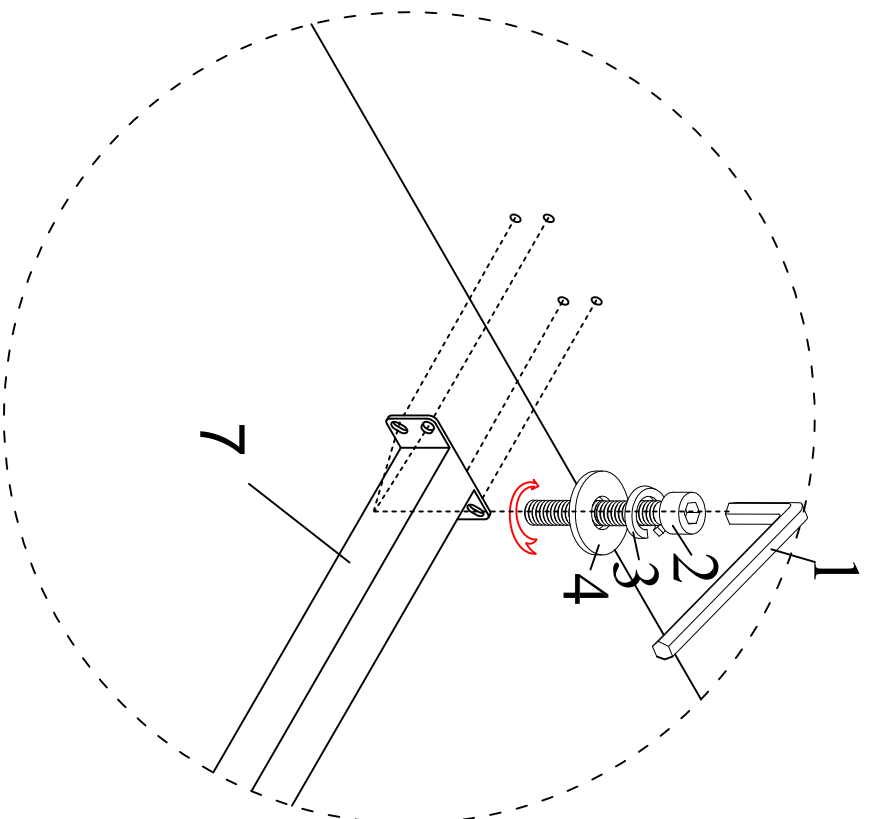
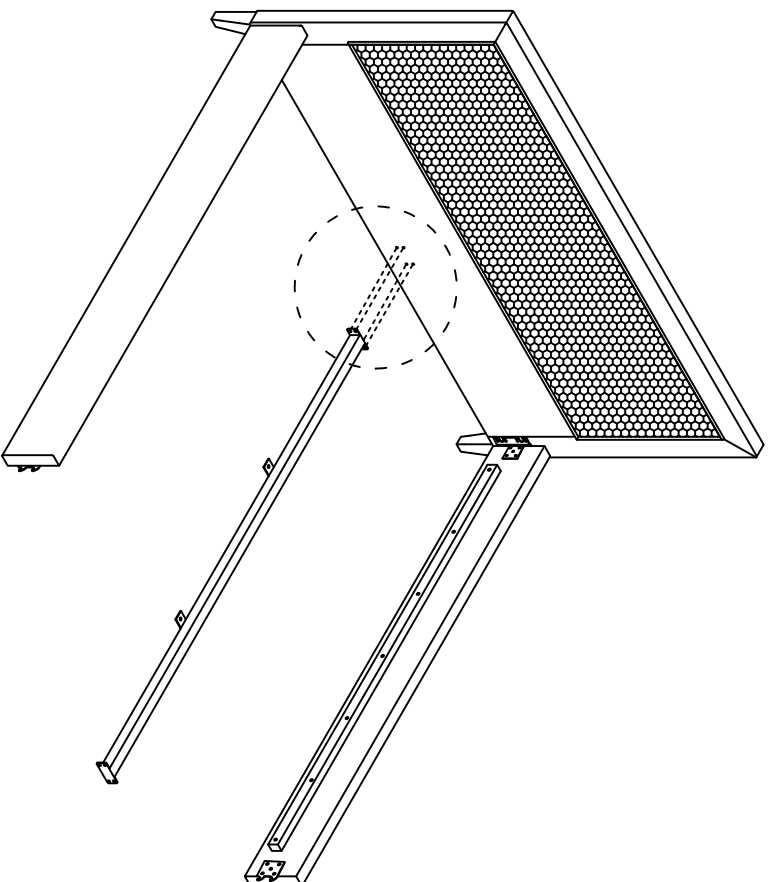
Spare Parts Hardware bag

2		Bolt Ø6*25mm	4 pcs
3		Spring Washer	4 pcs
4		Flat Washer Ø16	4 pcs
5		screws 5*40mm	2 pcs
8		Bolt Ø8*25mm	1 pcs
9		Nut	1 pcs
12		Non slip washer	2 pcs

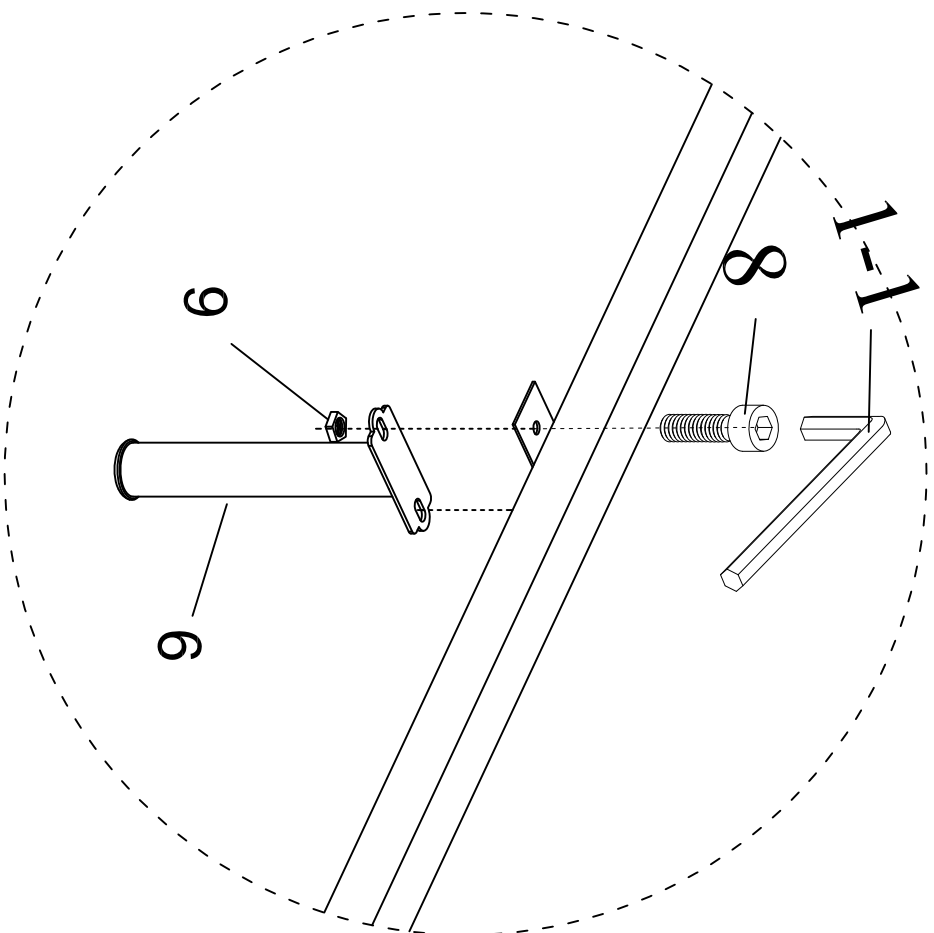
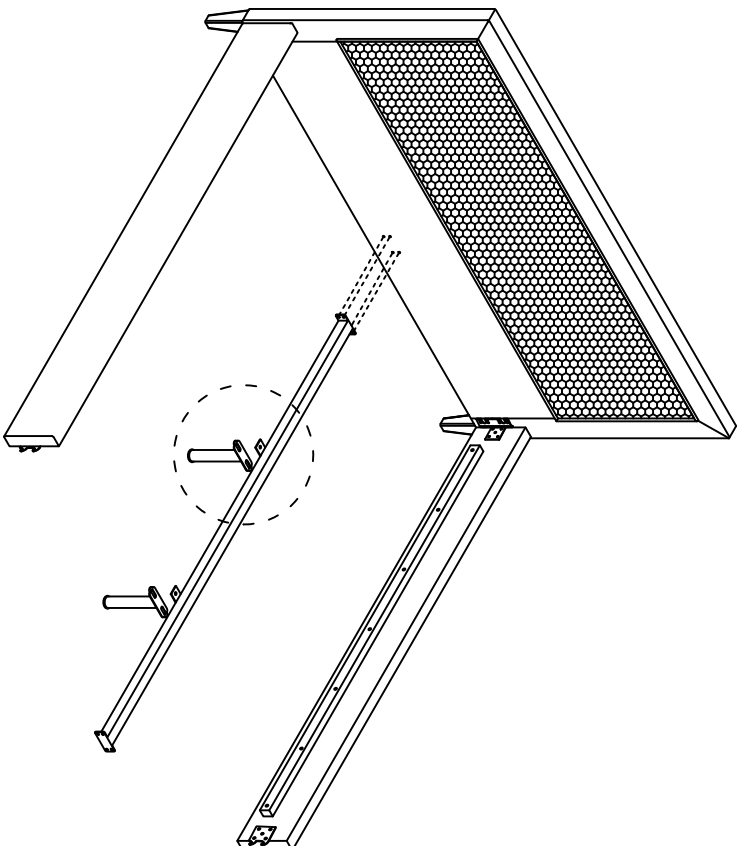
Step 1:



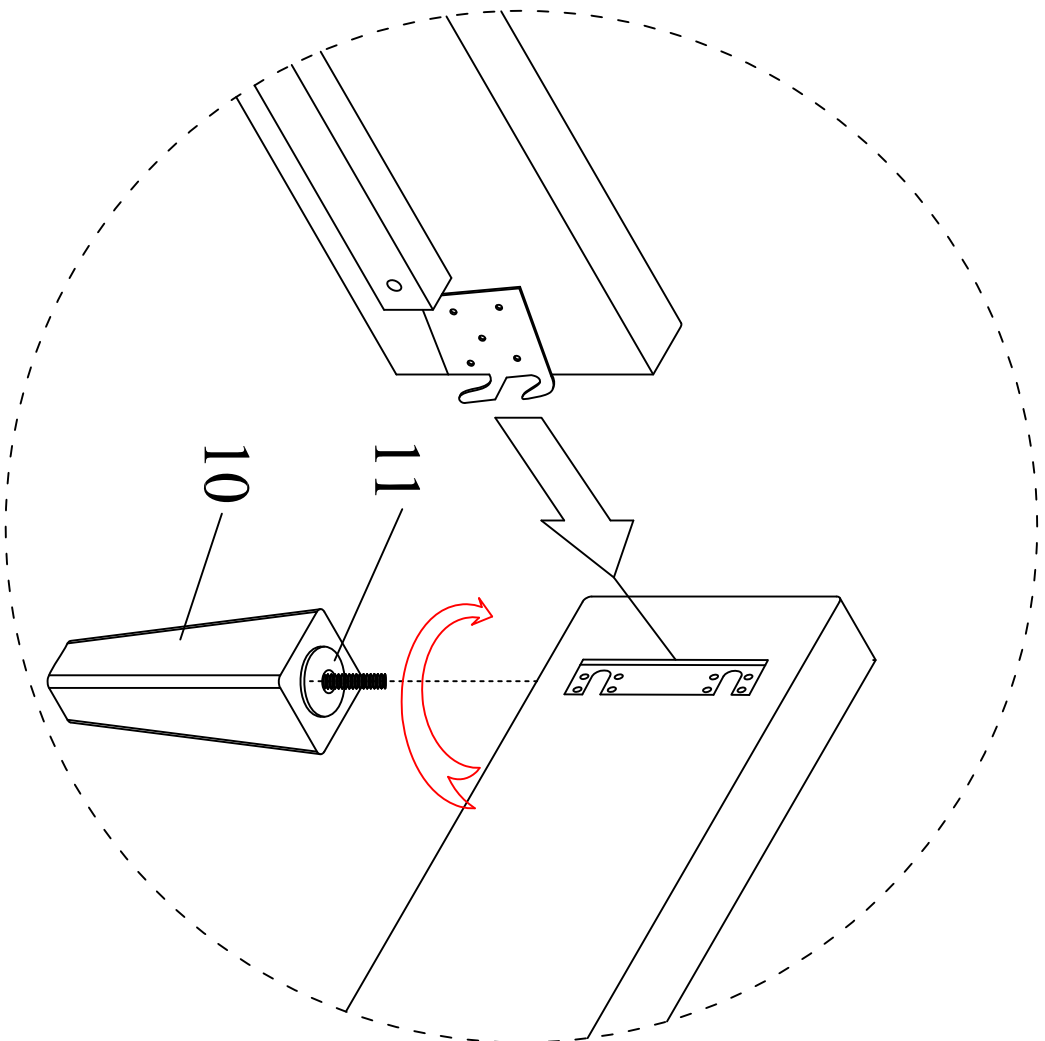
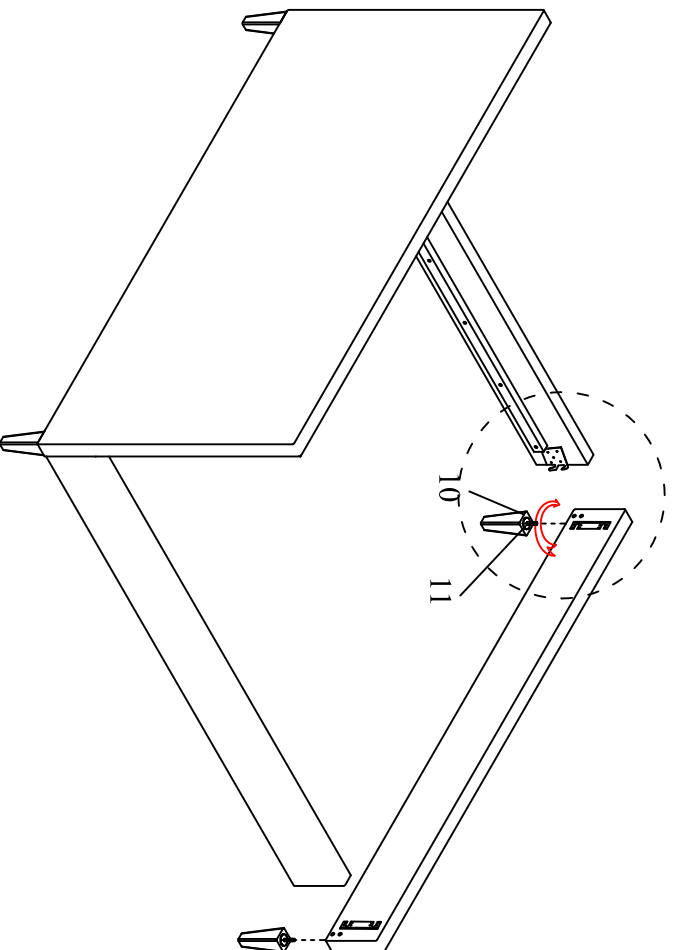
Step 2:



Step 3:



Step 4:



Step 5:

