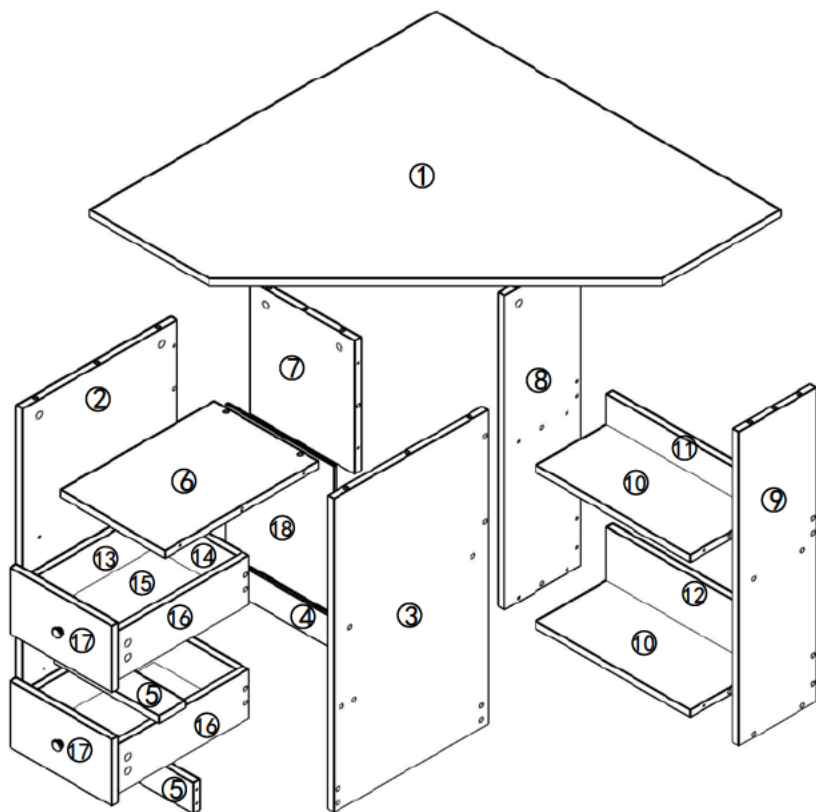







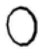





Please read the instructions fully before assembly.

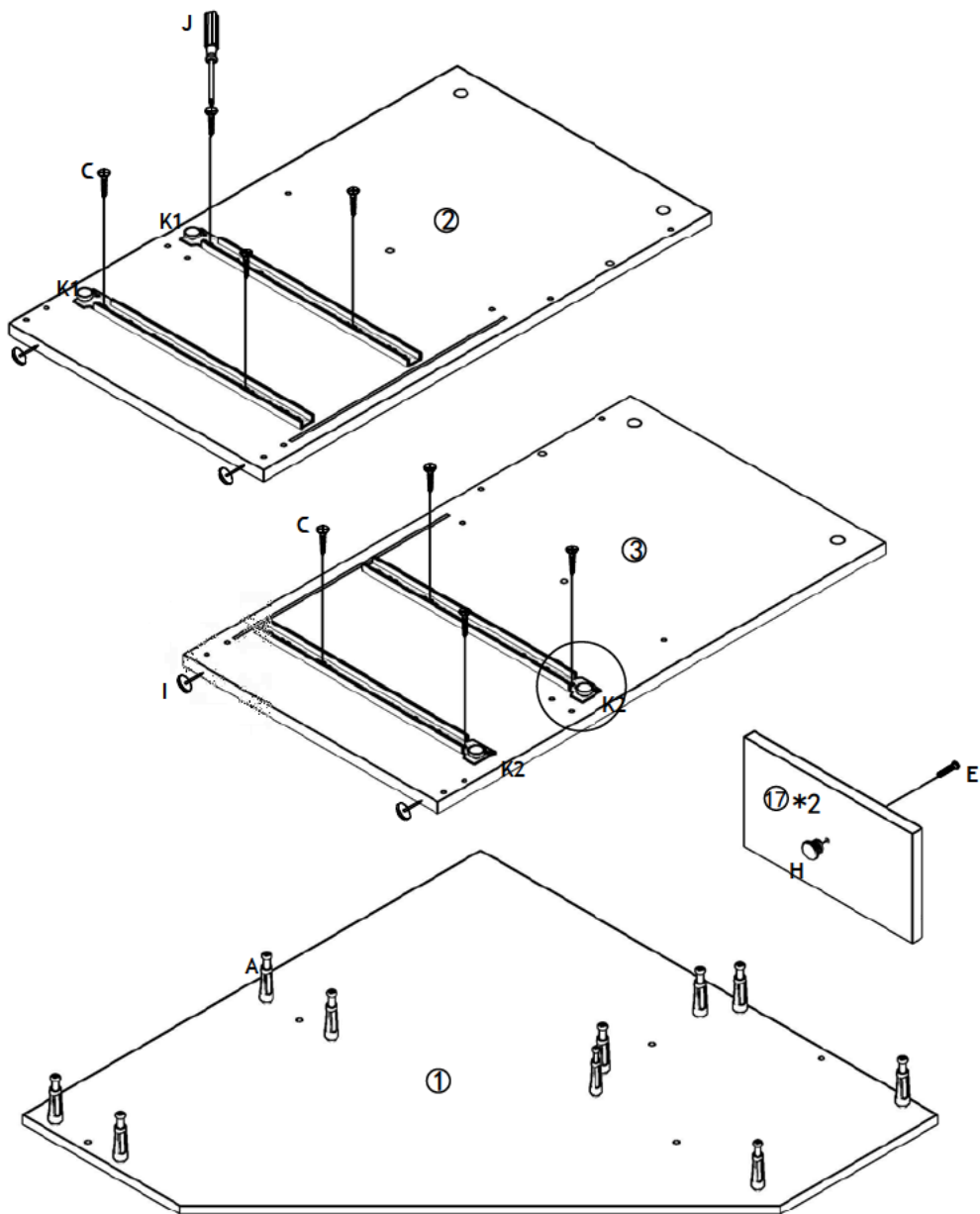
These instructions include important information which could ensure correct assembly. We have been working on providing high quality products for you.



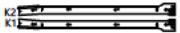




However, in the rare instance that your product is defective, missing parts or there are some issues, please don't hesitate to contact our customer service to submit parts requirements, assembly suggestion, or warranty claims, and we will give the best solution as soon as possible. If necessary, we need you to provide some more clear pictures of the issue.



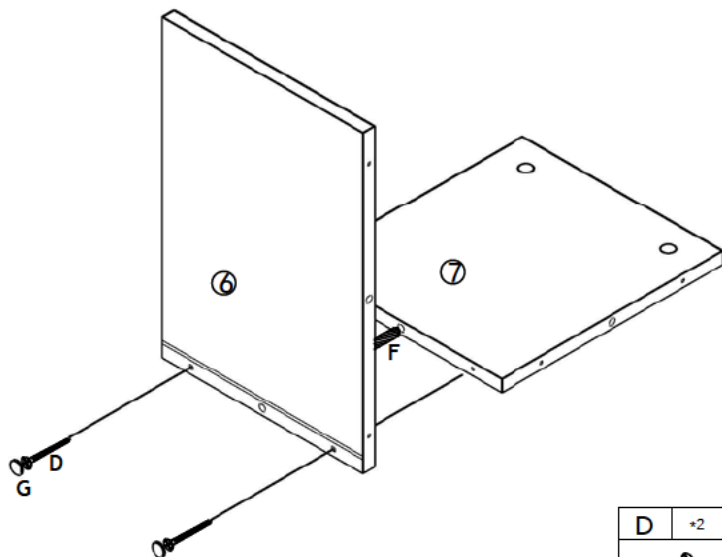
<p>A 18PSC</p>  <p>φ 6*35MM</p>	<p>B 18PSC</p>  <p>φ 15*12MM</p>	<p>C 16PSC</p>  <p>14*3.5MM</p>	<p>D 46PSC</p>  <p>35*3.5MM</p>	<p>E 2PSC</p>  <p>20MM</p>	<p>K 2PSC</p>  <p>K1 K2 K3 K4</p>
<p>F 14PSC</p>  <p>φ 8*40MM</p>	<p>G 38PSC</p> 	<p>H 2PSC</p> 	<p>I 8PSC</p> 	<p>J 1PSC</p> 	




STEP1



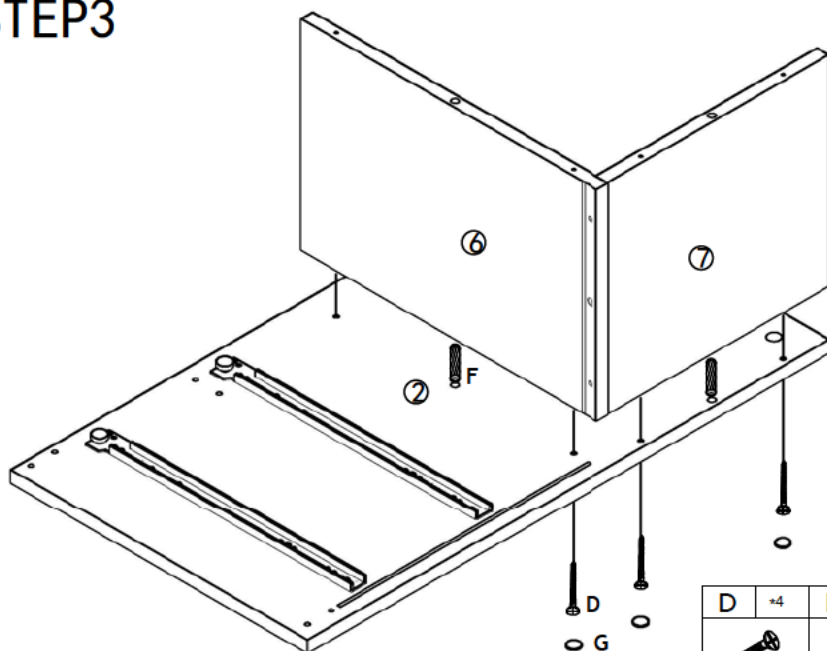
A	*10	J	*1	K	K1*2 K2*2	H	*2	E	*2	C	*8	I	*4
													
φ6*35MM								20MM		14*3.5MM			




STEP2



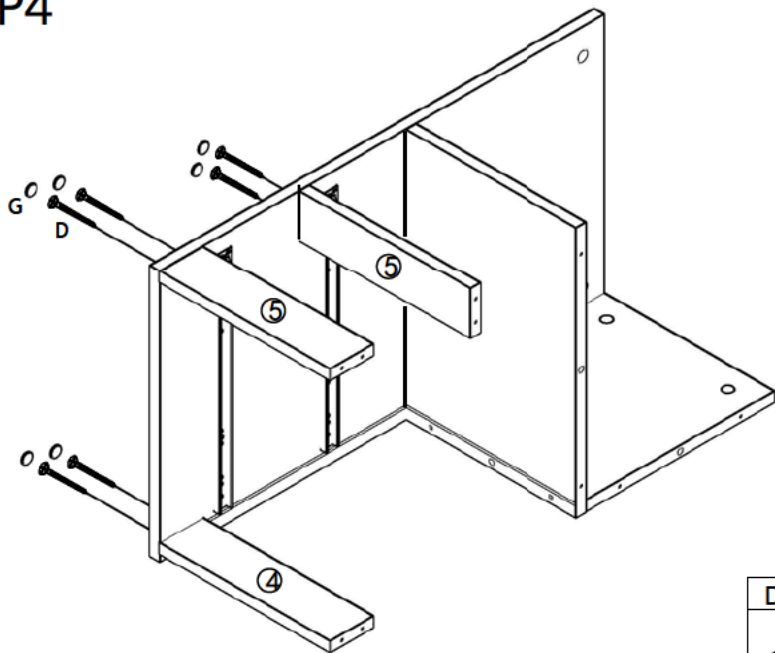
D	*2	F	*1	G	*2
					
35*3.5MM		φ8*40MM			



STEP3



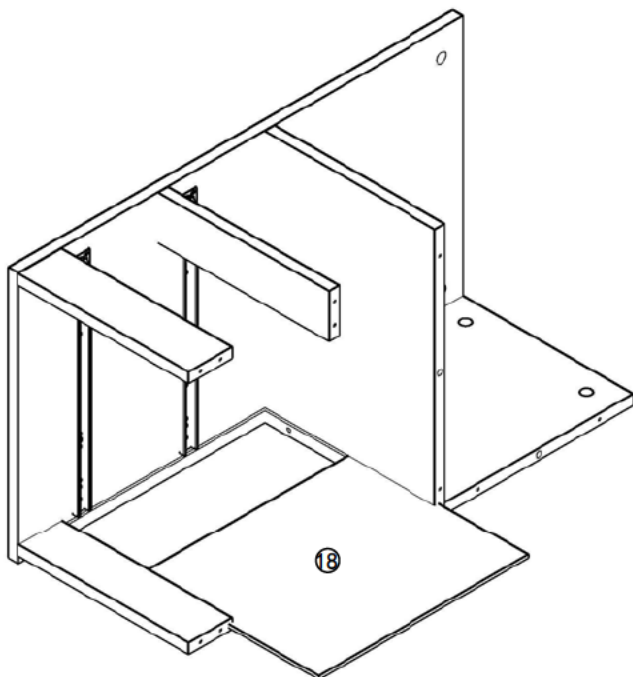
D	*4	F	*2	G	*4
					
35*3.5MM		φ8*40MM			

STEP4

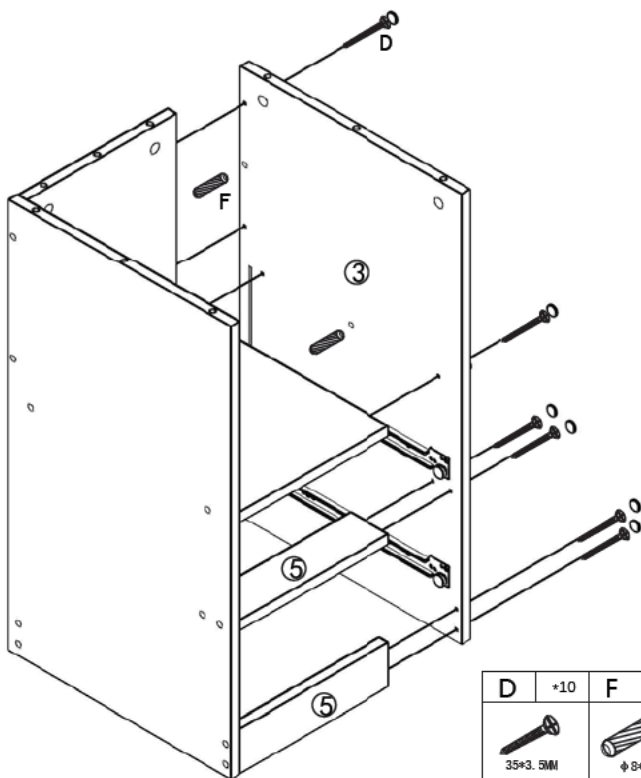





D	*6	G	*6
			
35*3.5MM			

STEP5

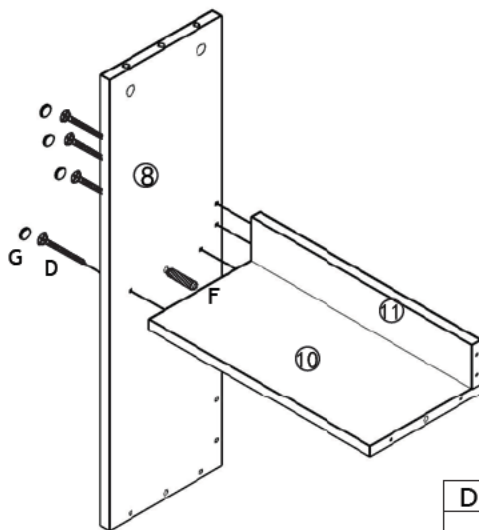





STEP6



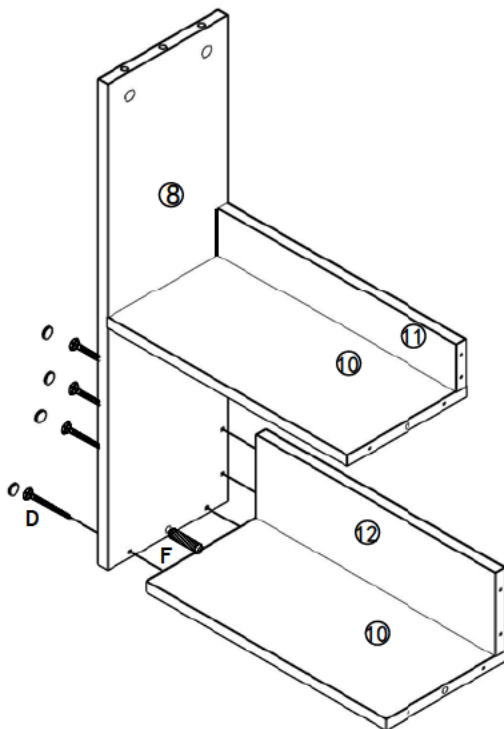
D	+10	F	+2	G	+10
					
35*3.5MM		φ8*40MM			




STEP7



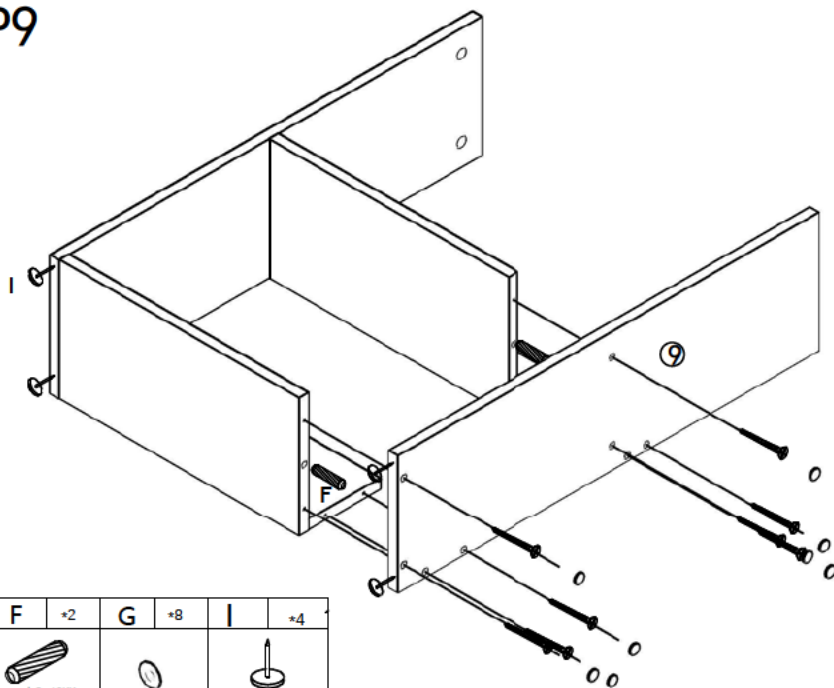
D	+4	F	+1	G	+4
					
35*3.5MM		φ8*40MM			





STEP8



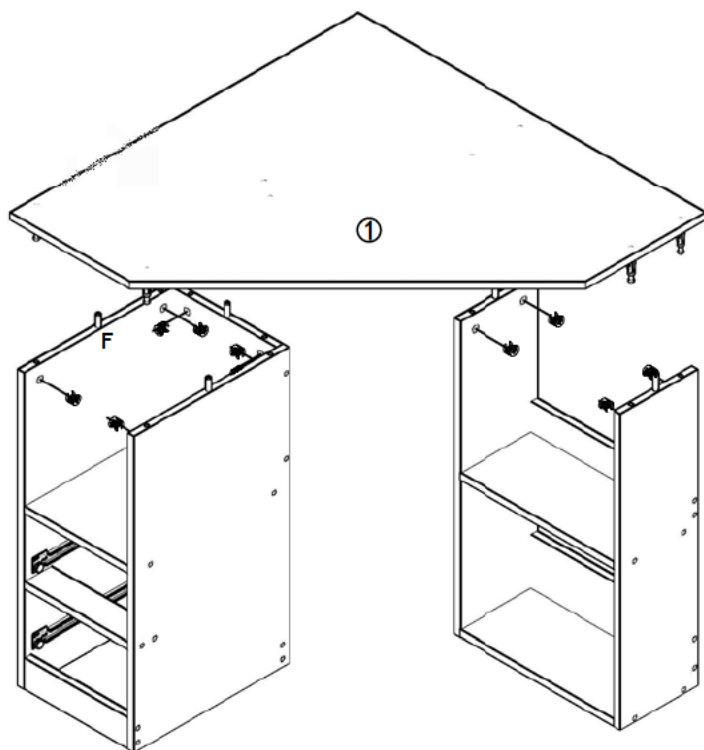
D	*4	F	*1	G	*4
					
35x3.5MM		φ 8x40MM			



STEP9



D	*8	F	*2	G	*8	I	*4
							
35x3.5MM		φ 8x40MM					

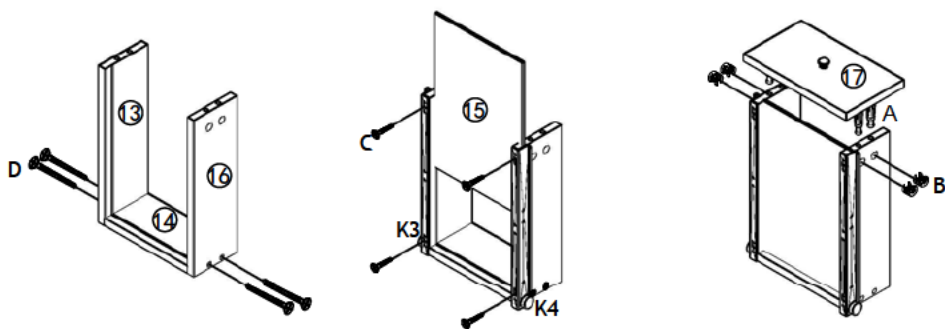
STEP10









F	*5	B	*10
			
$\phi 8 \times 40\text{MM}$		$\phi 15 \times 12\text{MM}$	

STEP11

*2



A	*8	D	*8	C	*8	B	*8	K	K3+2 K4+2
									
$\phi 6 \times 35\text{MM}$		35*3.5MM		14*3.5MM		$\phi 15 \times 12\text{MM}$			

STEP12

