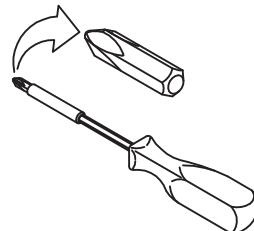
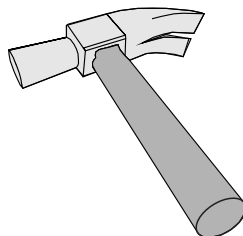
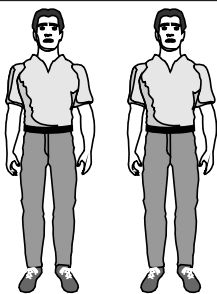
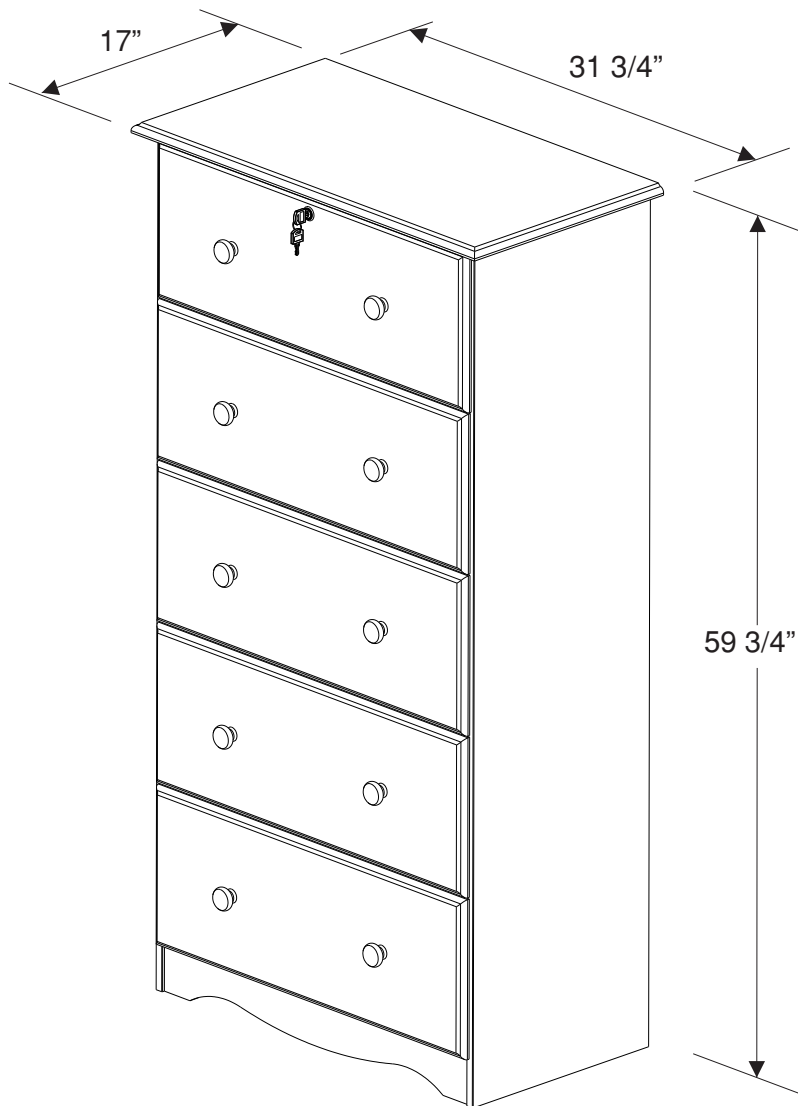


ASSEMBLY INSTRUCTIONS

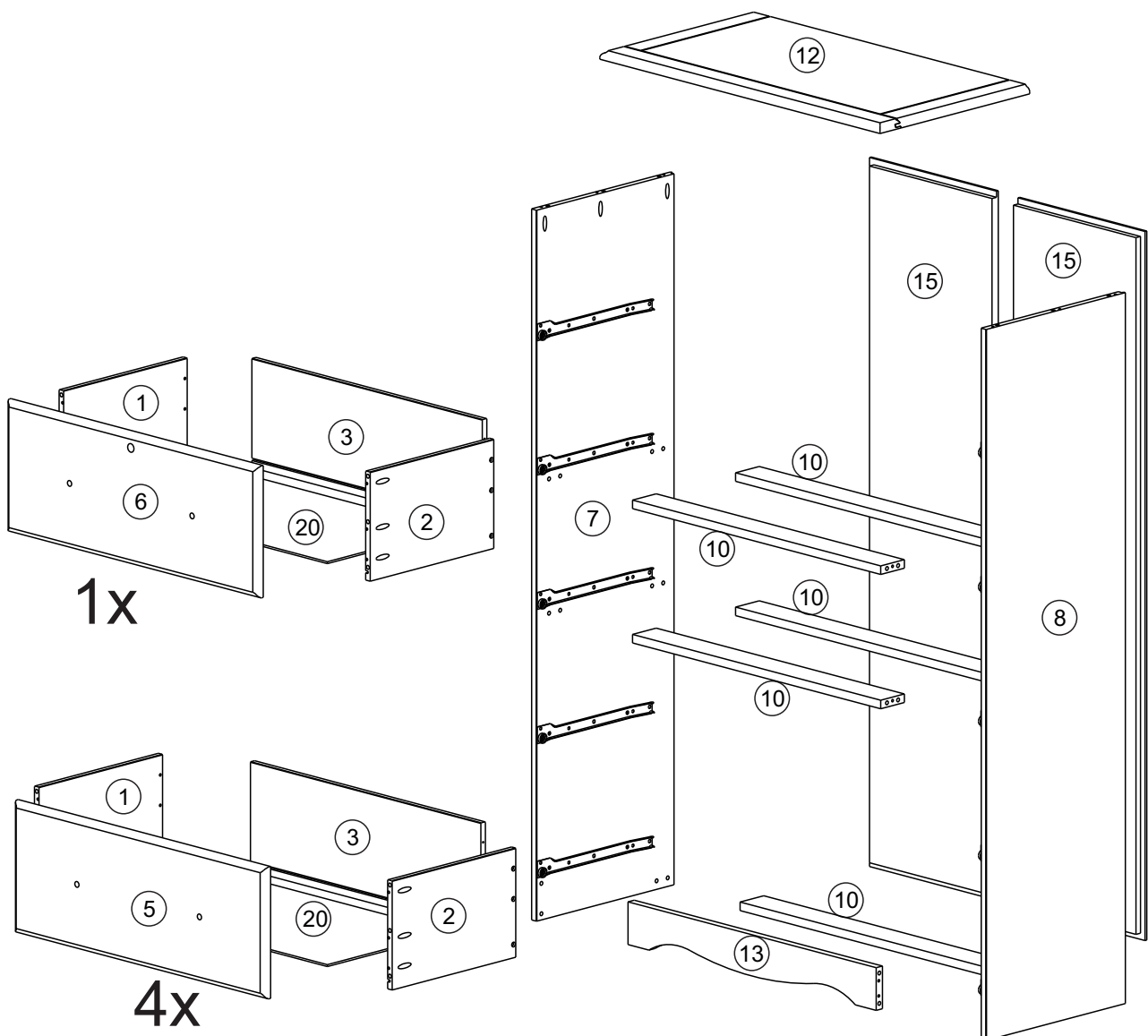
5 DRAWER SUPER JUMBO CHEST

With Lock



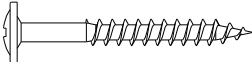

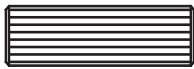
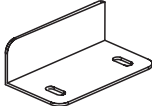
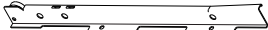
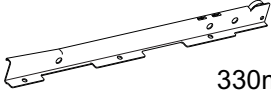
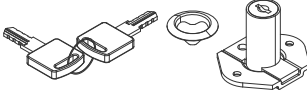
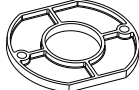
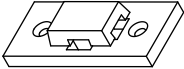


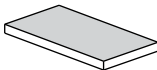
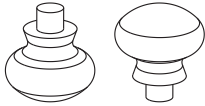


IMPORTANT: READ THESE INSTRUCTIONS CAREFULLY BEFORE ASSEMBLING OR USING THE CHEST

- Please keep these instructions in a safe place for future references.
- Inspect that the product is free from damage before use. Do not use your product if any damage is present.
- On unpacking the item you may notice an odour due to the production process. However, this will disappear after a period of time.
- Before you to assemble your product, first check if there are any missing or damaged parts.
- Do Not throw away packaging material until assembly is complete.
- If you organize the items by parts, you'll find it much easier to grab each piece as you build.
- It is best to use any tools the kit provides, such as a hex key, because they may be specially sized for that piece of furniture. We do not recommend the use of power drill, it can damage your furniture if not used correctly.
- This product it should be assembled as near as possible to the point of use. Take care when lifting to avoid personal injury and (or) damage to the product.
- To avoid damages assemble the item on a soft, clean surface.
- Always use on a level, even surface It is recommended that two people handle and assemble the item.
- Do not place the item next to a radiator or direct sunlight – this item is manufactured in pine but is susceptible to temperature change. It is recommended an even room temperature be maintained with no sudden fluctuations.

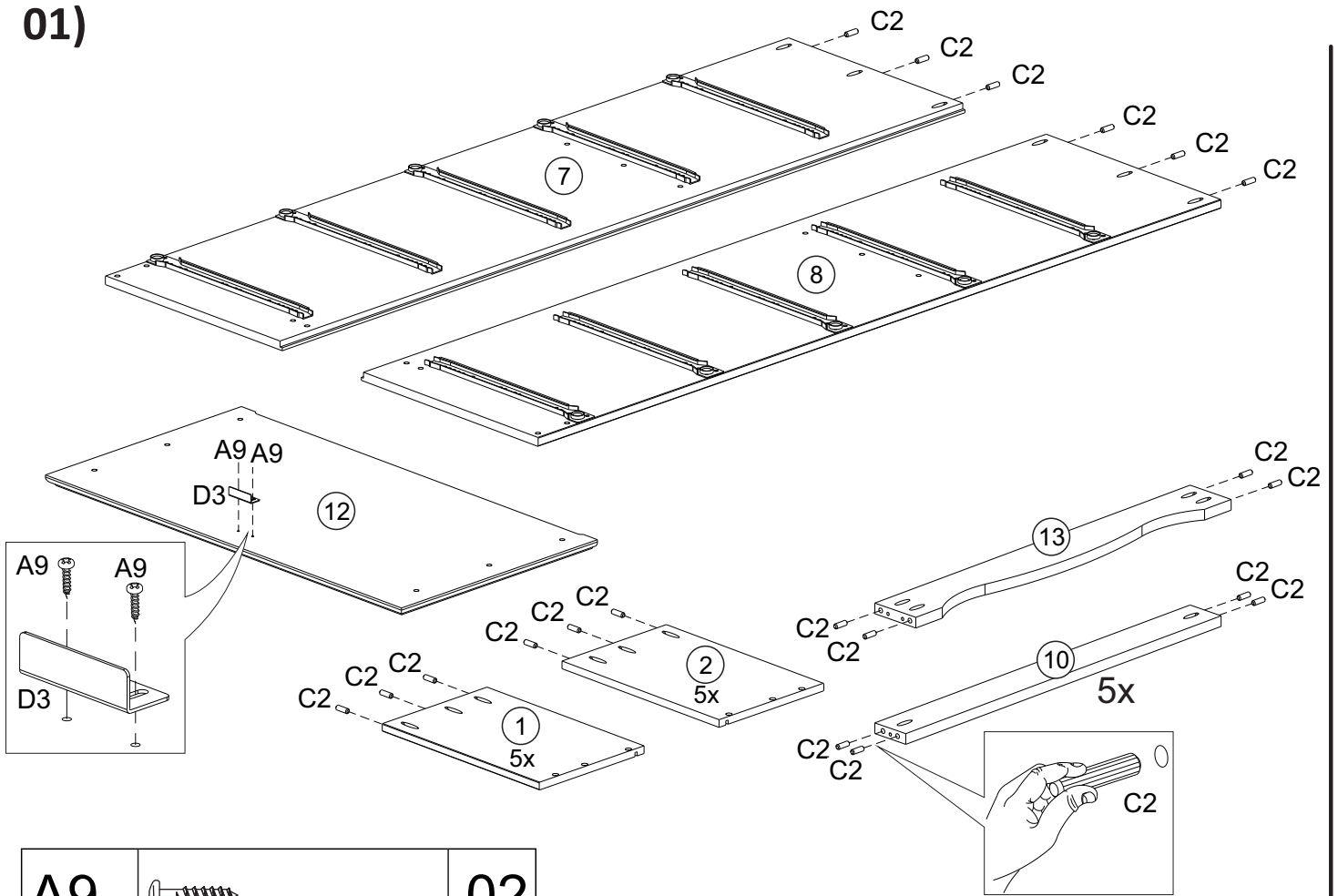


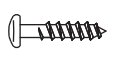
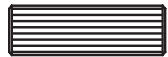
SCREWS ARE SHOWN IN ACTUAL SIZE


A1	 4,0x30	82
A9	 3,5x16	26
A41	 4,0x30	10
A42	 4,0x14	20
C2	 8,0x25	60
D3		01
E1	 330mm - 13"	05
E2	 330mm - 13"	05
F1		01
F2		01
F8		02
F9		01
G1	 10x10	34
G11		04
H1		10

WARNING:
CHOKING HAZARD
Small Parts, Not For Children
To Be Assembled By An Adult

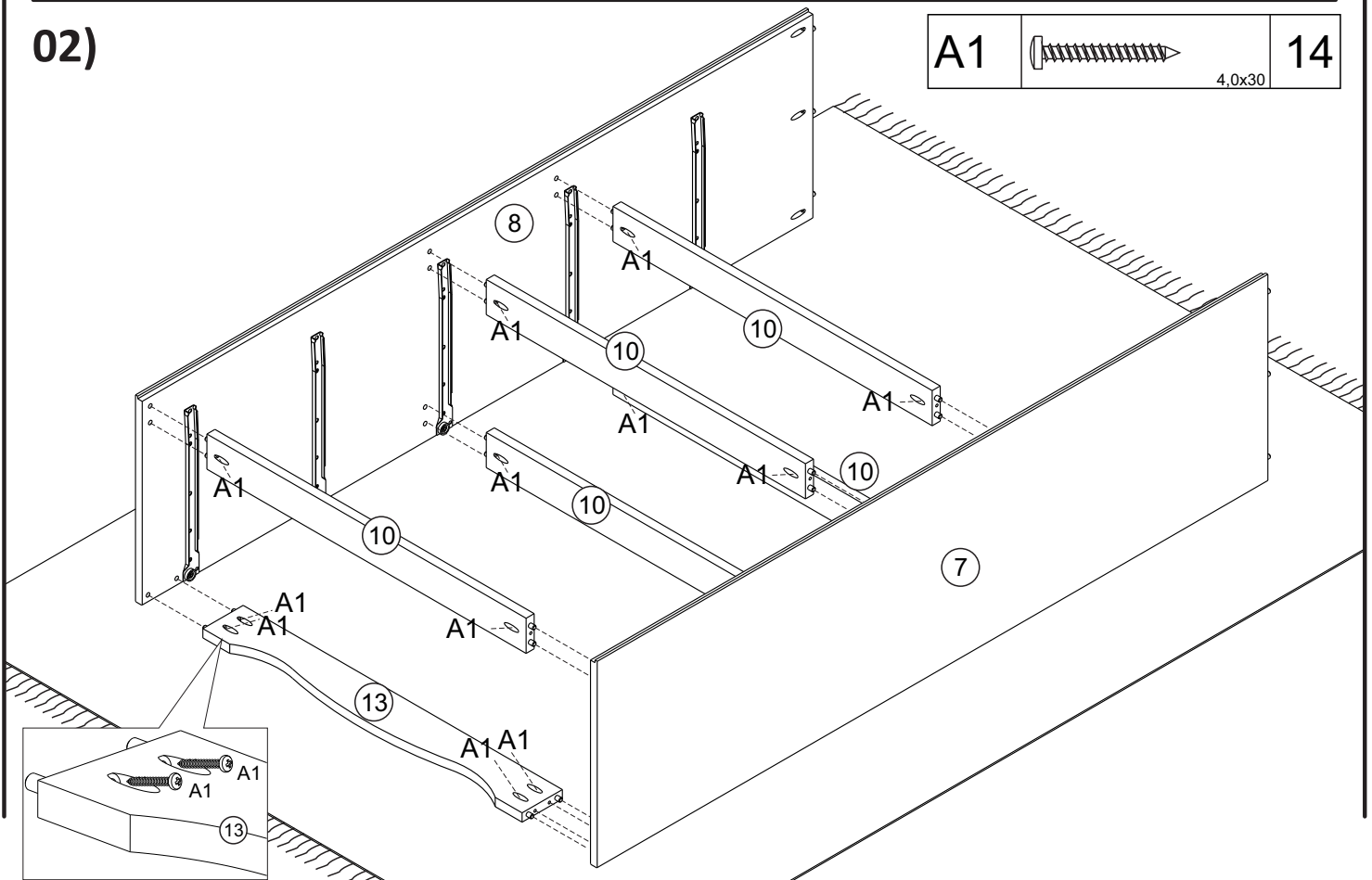
01)




A9		02
	3,5x16	
C2		60
	8x25	

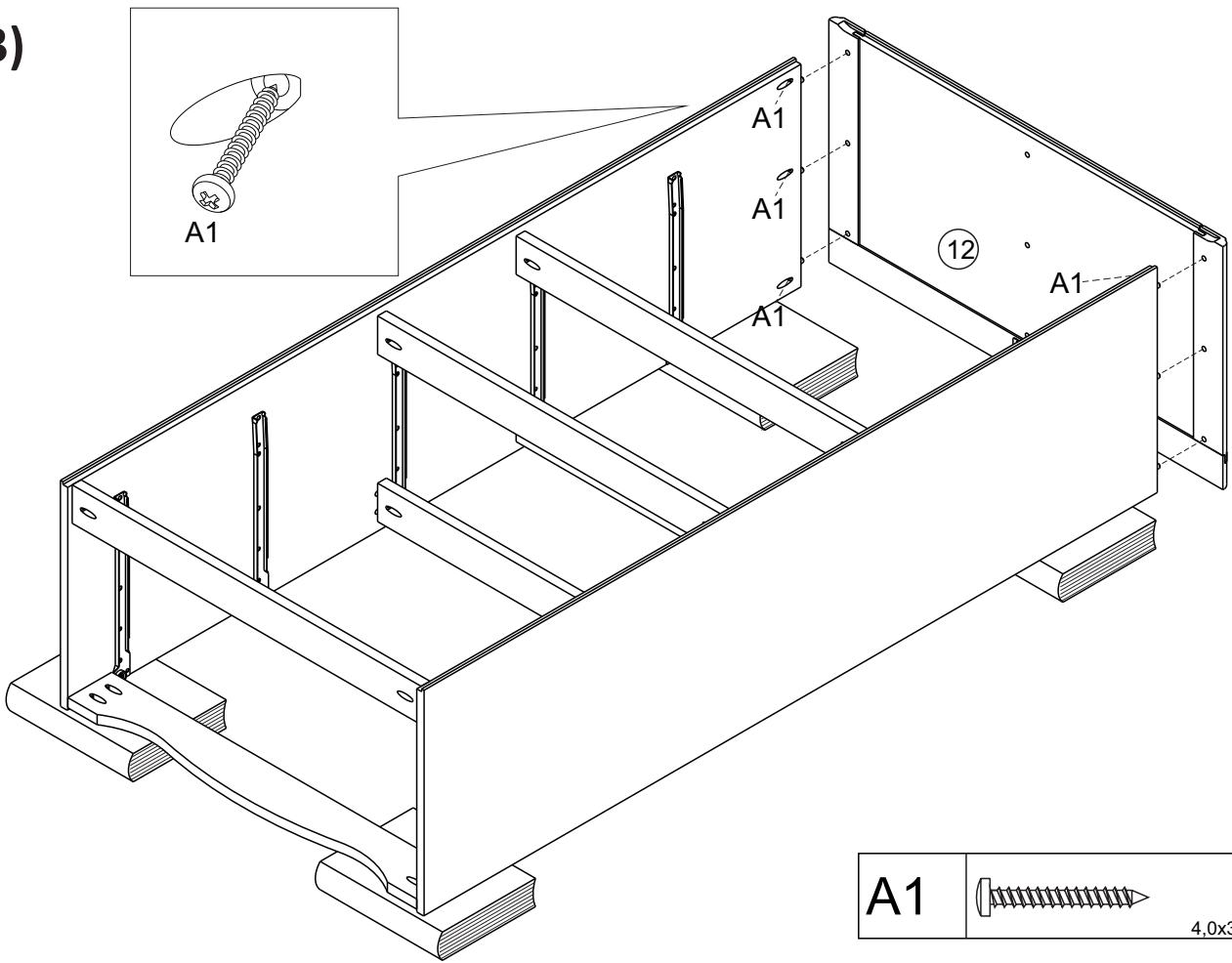
D3		01
----	--	----


02)



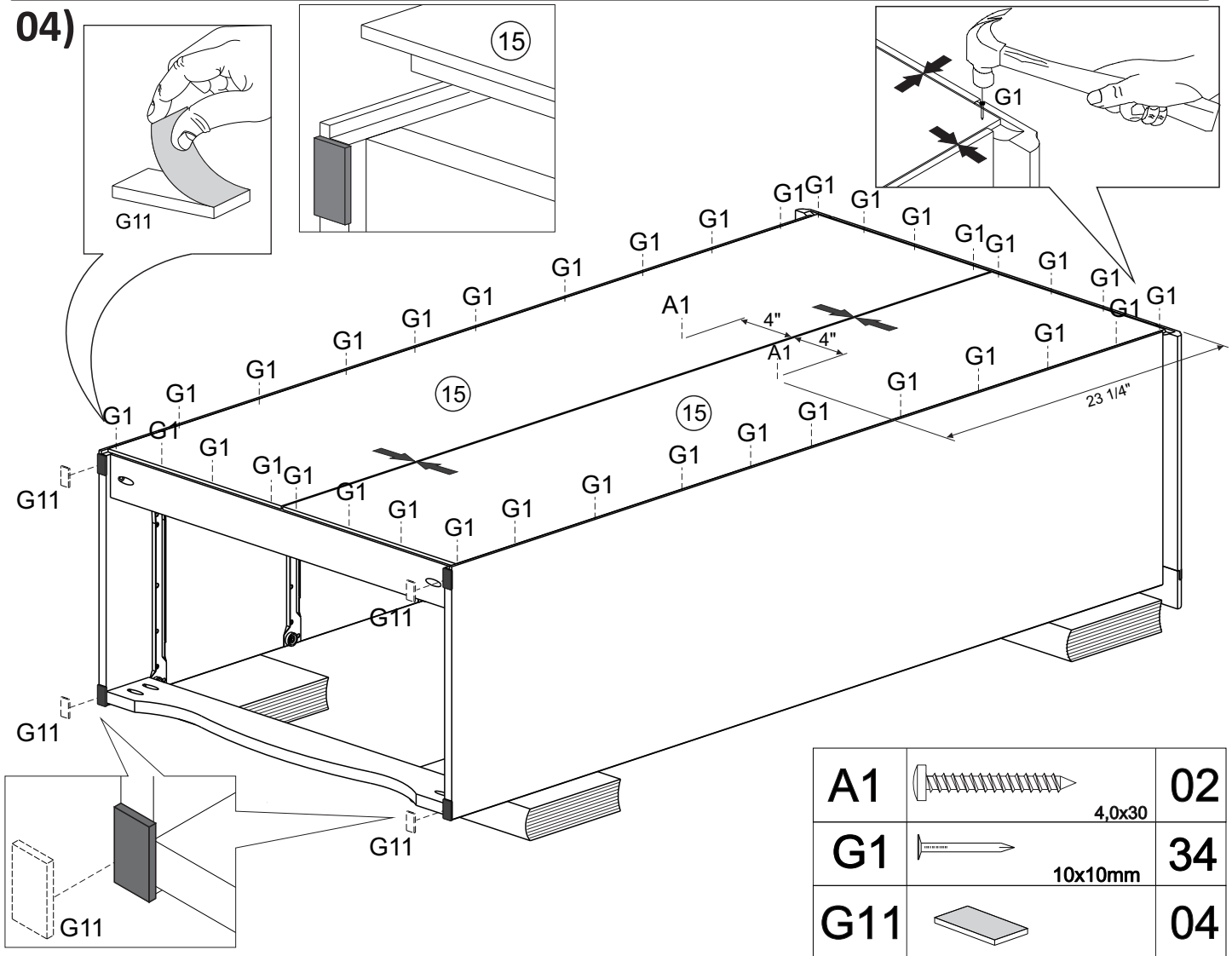
A1		14
	4,0x30	

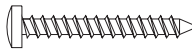
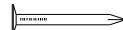
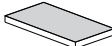
03)



A1		06
	4,0x30	

04)



A1		02
	4,0x30	
G1		34
	10x10mm	
G11		04

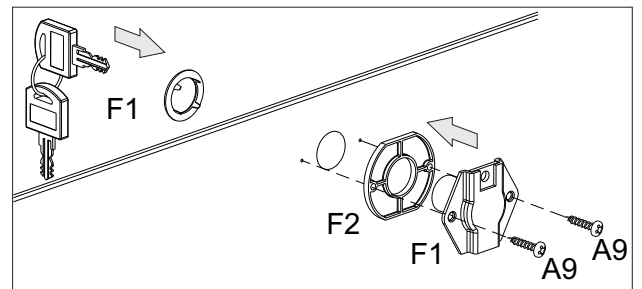
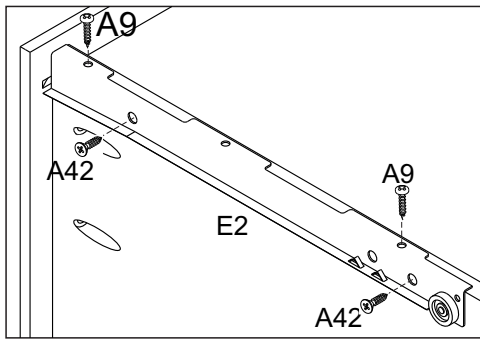
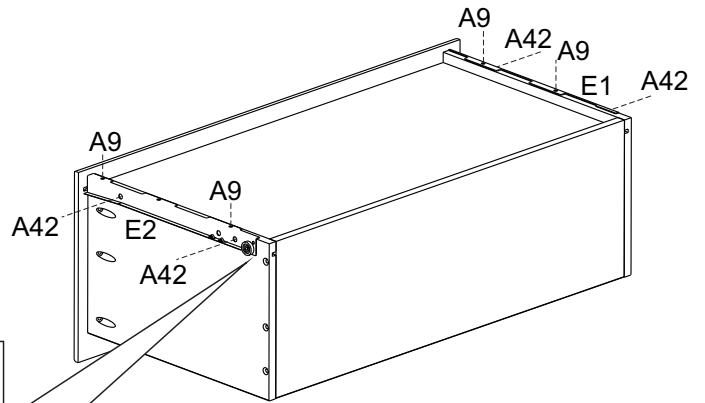
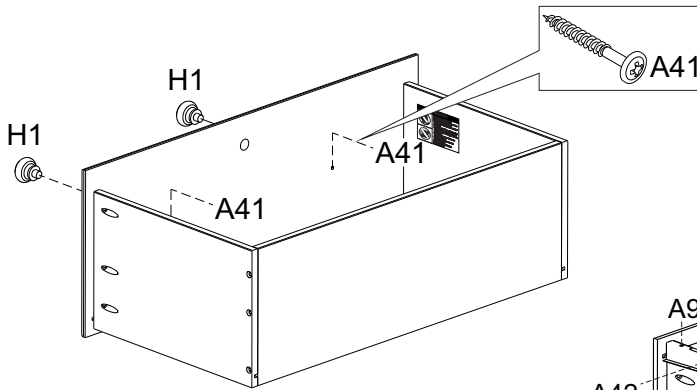
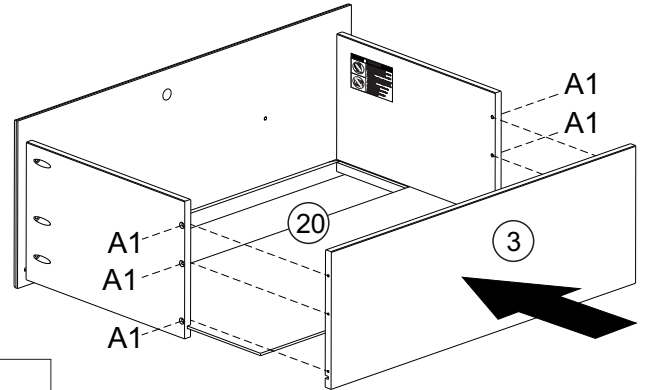
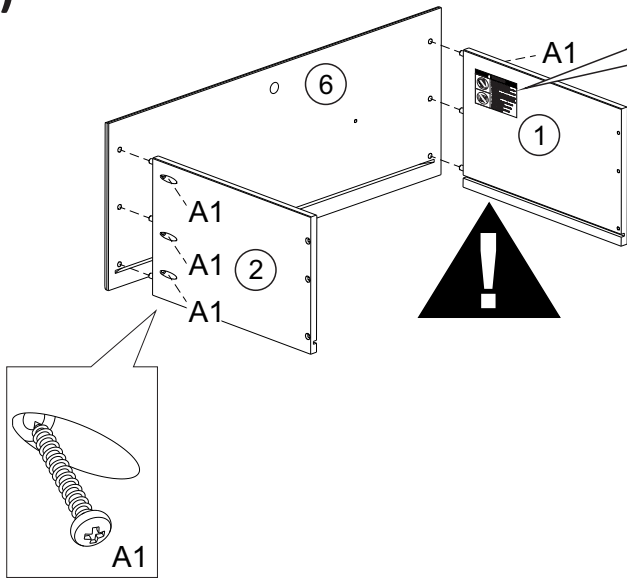
05)


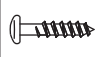
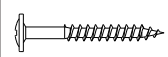


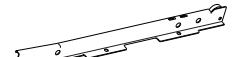



WARNING

Children died from furniture tipover. To reduce the risk of furniture tipover:

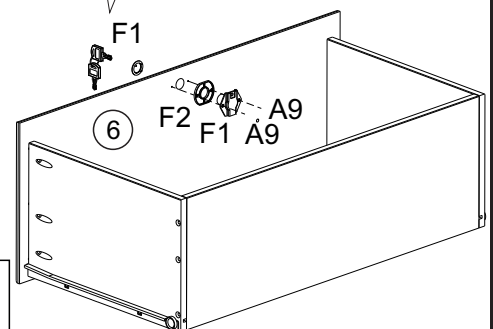
- ALWAYS install tipover restraint provided.
- NEVER put a TV on this product
- NEVER allow children to stand, climb or hang on drawers
- NEVER open more than one drawer at a time.
- Place heaviest items in the lowest drawers.

This is a permanent label. Do not remove!



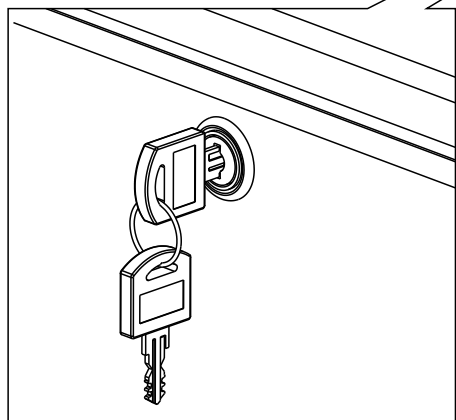
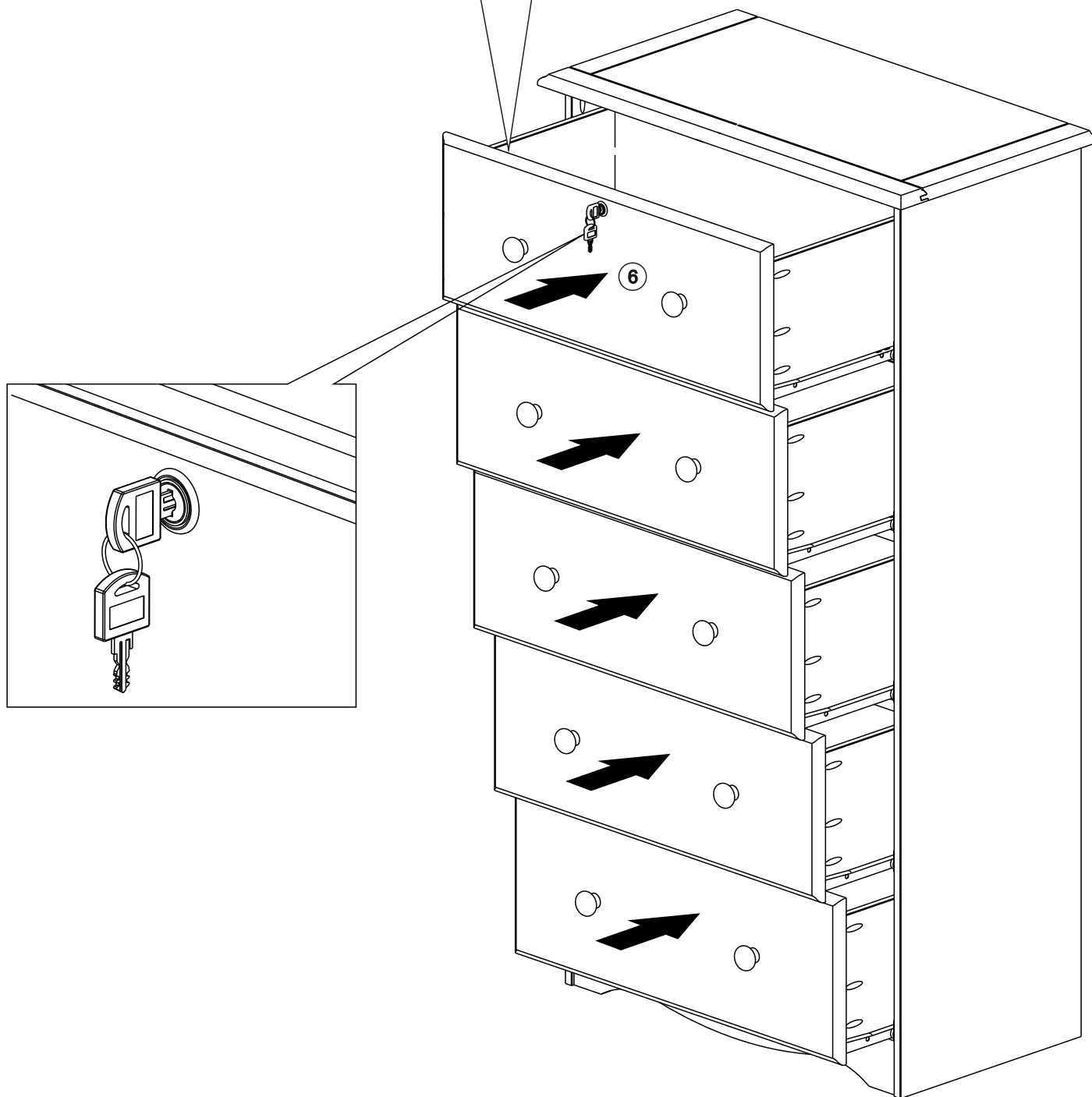
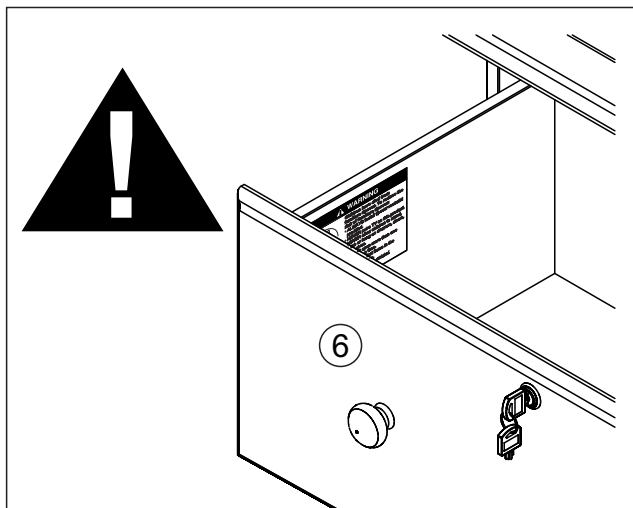
A1		4,0x30	12		
A9		3,5x16	06		
A41		4,0x30	02		
A42		4,0x14	04		
E1		330mm - 13"	01		
E2		330mm - 13"	01	F2	
F1			01	H1	

1x

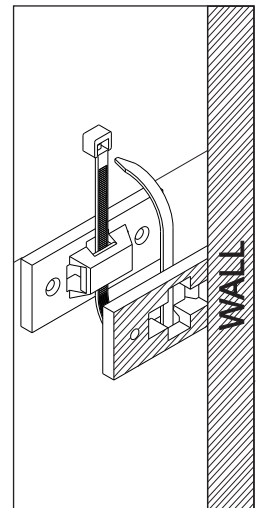
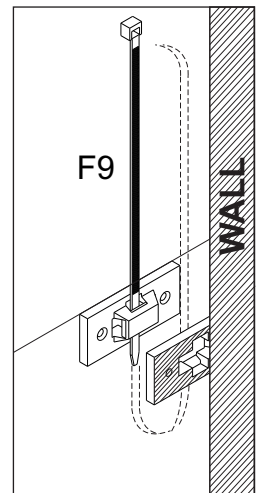
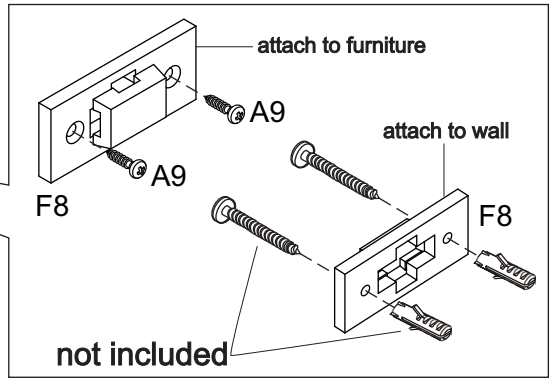
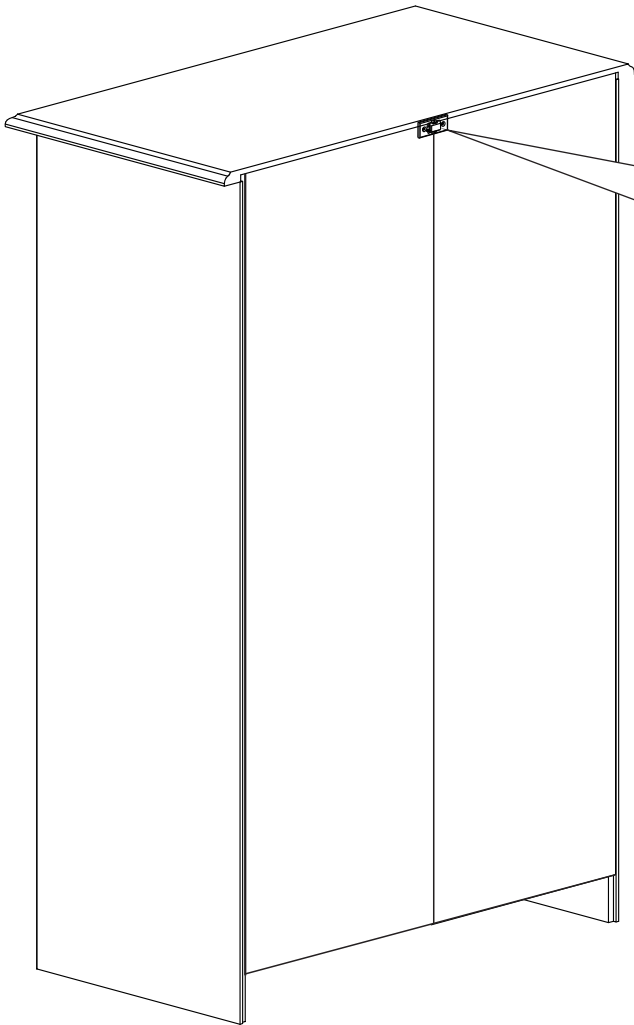
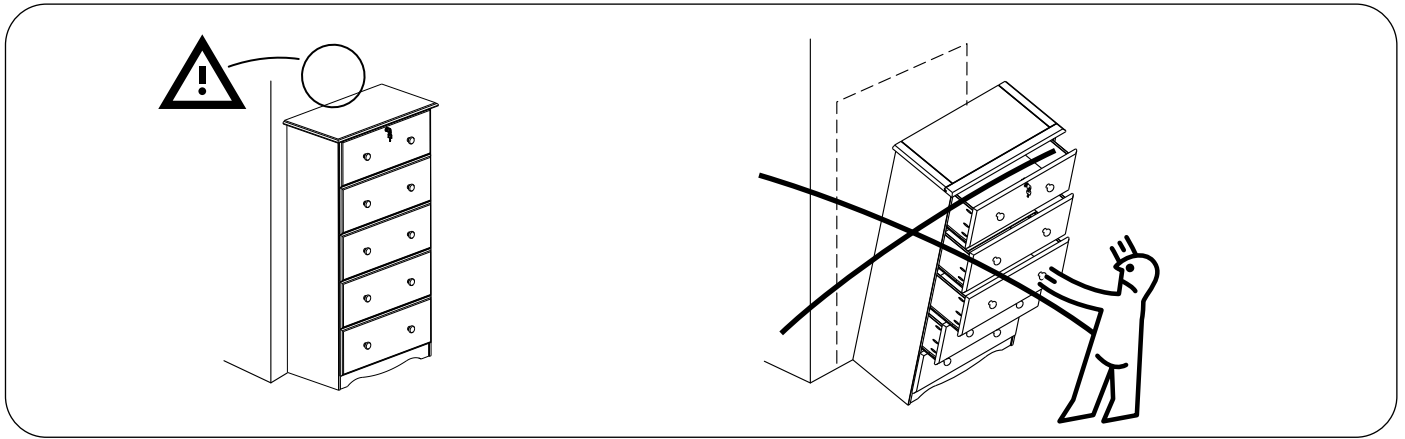



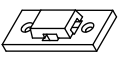
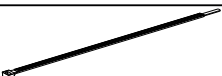
07)

Place the labeled drawer on the top position



08)



A9	 3,5x16	02
F8		02
F9		01