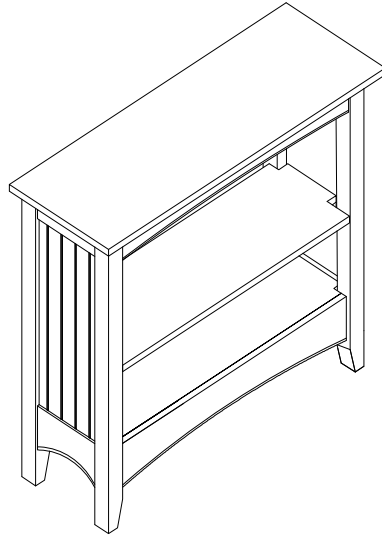


# Low Bookcase



Thank you for purchasing our Low Bookcase. We have found it helpful to have a second person present in at least one step of the assembly.

## Low Bookcase Assembly Instructions

Lay out all parts on a "non-abrasive" surface to avoid scratching furniture.

NO.	DRAWING	DESCRIPTION	Q'TY	NO.	DRAWING	DESCRIPTION	Q'TY
A		TOP PANEL	1	D		SHelf	1
B		LEFT SIDE	1	E		BOTTOM PANEL	1
C		RIGHT SIDE	1	F		BACK PANEL	2

NO.	DRAWING	DESCRIPTION	Q'TY
G		EXP BOLT	8
		WOOD DOWEL	4
I		WRENCH	1
J		ANTI-TIP	1

## PARTS

### Step 1

Read through these instructions thoroughly before beginning assembly. We have found this to be of great value when first assembling this product.

### Step 2

Remove all parts and hardware from packing material. Wooden pieces should be placed on a non-abrasive surface (like the carton or carpet) to prevent damage to the finish.

### Step 3, 4, 5 and 6

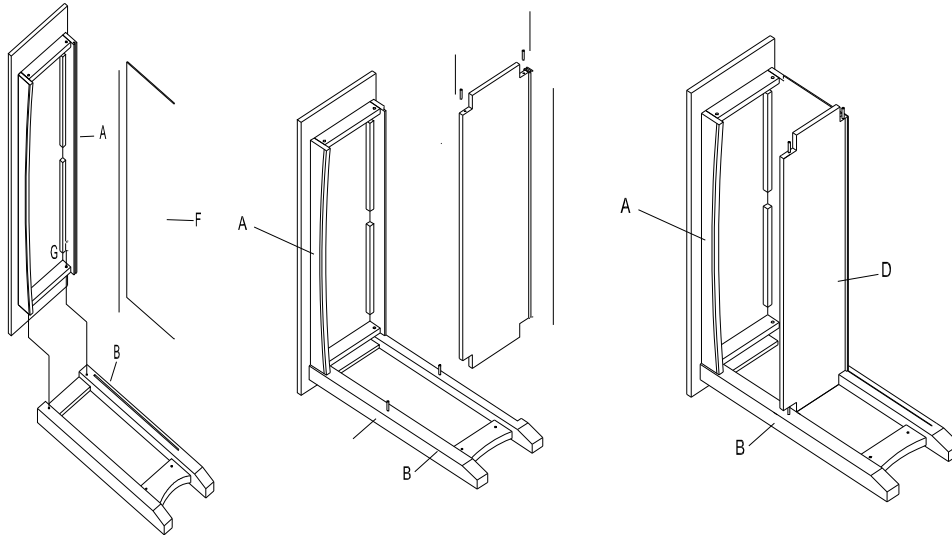
Lay Left Side (B) on side and attach Top Unit (A) using 2 Hex Bolts (G).

**Note: It will help to have a second person at this time to assist in assembly.**

Slide 1 Back Panel (F) into grooves in Top Unit (A) and Left Side (B).

Insert 2 Wood Dowels (H) into Left Side (B) and 2 Wood Dowels (H) into Shelf (D).

Slide Shelf (D) onto 2 Wood Dowels (H) in Left Side (B)



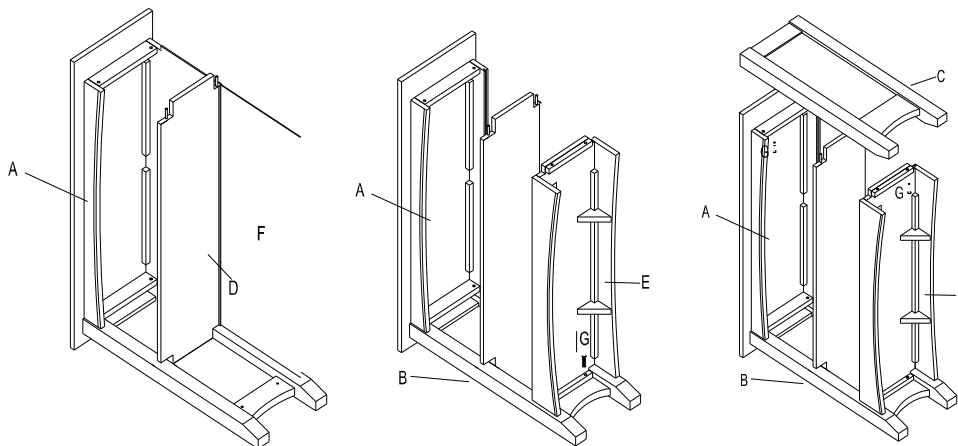
---

### Step 7, 8 and 9

Slide 1 Back Panel (F) into grooves in Shelf (D) and Left Side (B).

Attach Bottom Panel (E) to Left Side (B) using 2 Hex Bolts (G).

Attach Right Side (C) to Top Panel (A) and Bottom Panel (E) using 4 Hex Bolts (G).



---

### CARE

Clean with mild soap and wipe dry.

---

### REPLACEMENT PARTS

Please do not contact the company you purchased from as we can help you faster.