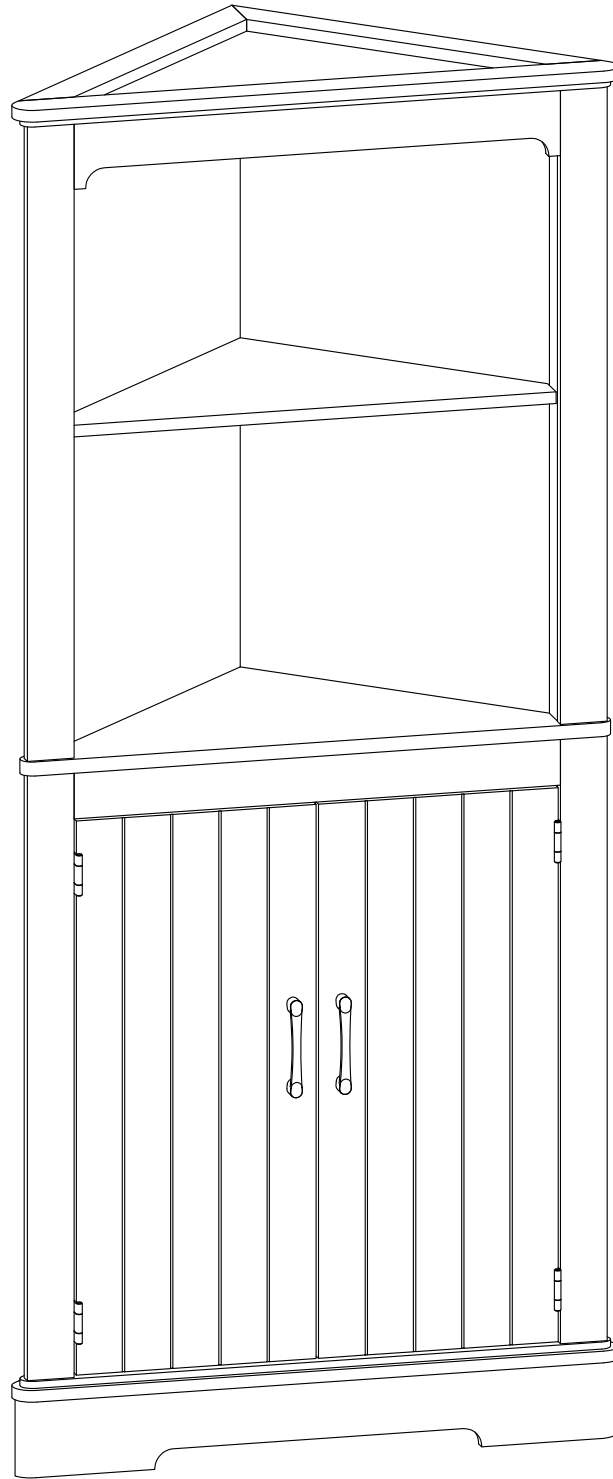
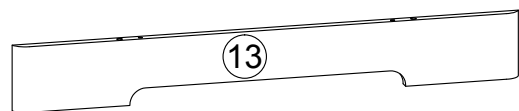
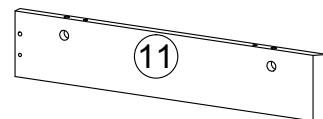
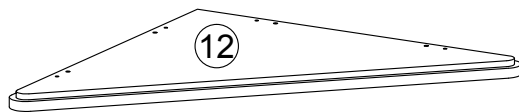
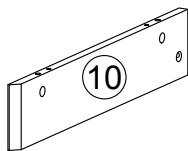
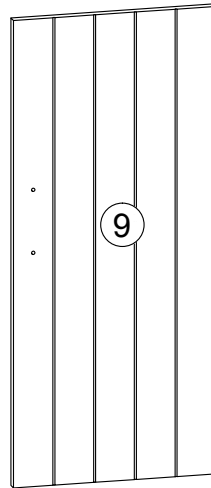
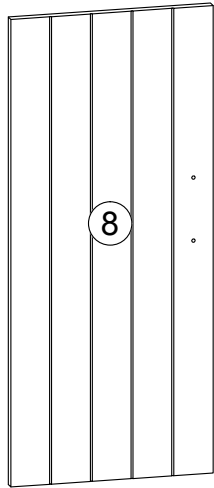
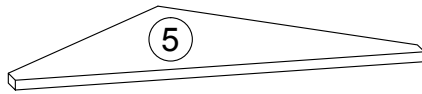
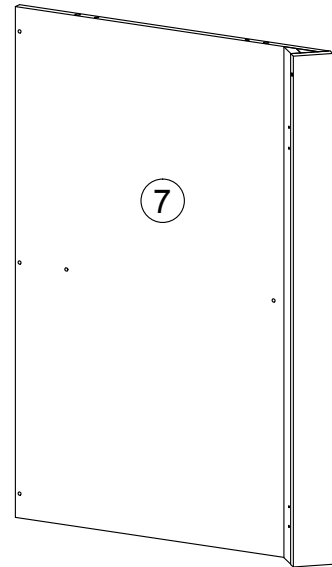
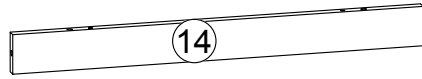
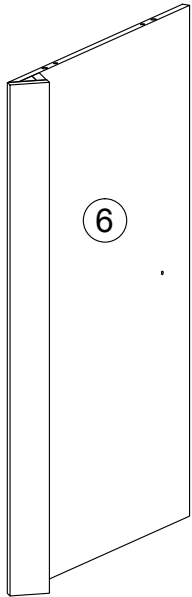
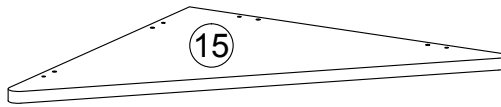
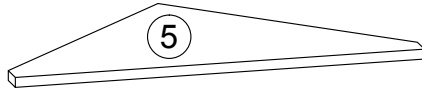
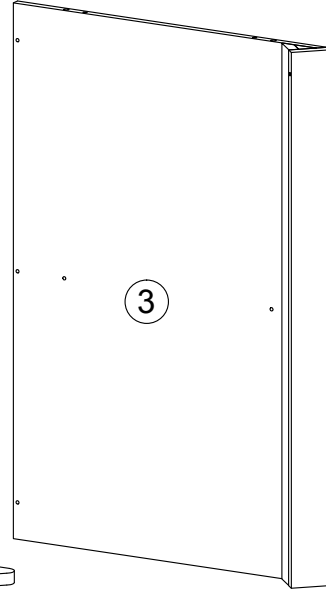
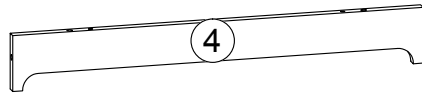
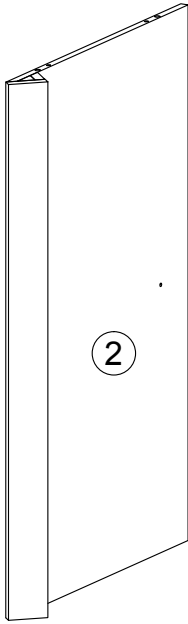
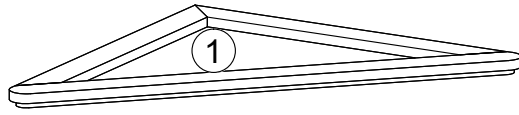


Assembly Instructions





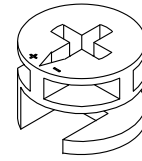
×31+2



(A)

Ø6*33mm

×31+2



(B)

Ø15*10mm

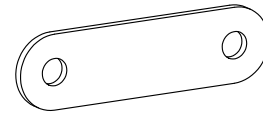
×27+2



(C)

Ø6*30mm

×2



(D)

45*12*1.5

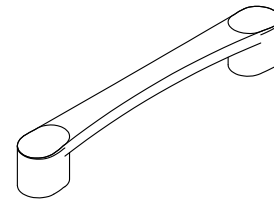
×6



(E)

Ø5*38mm

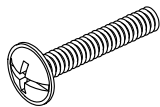
×2



(F)

96mm

×4



(G)

M4*22mm

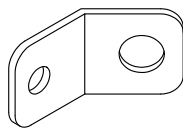
×8+1



(H)

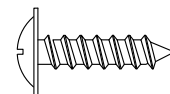
Ø5*19mm

×2



(I)

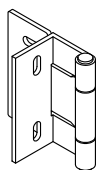
×6



(J)

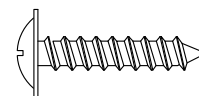
Ø3.5*12mm

×4



(K)

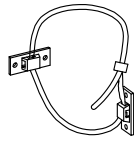
×16+2



(L)

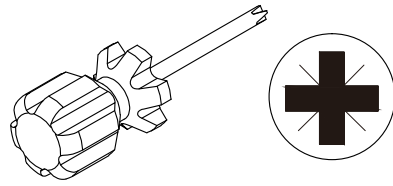
Ø3.5*14mm

×1



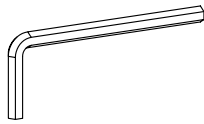
Ⓜ

×1



Ⓝ

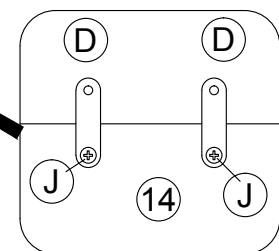
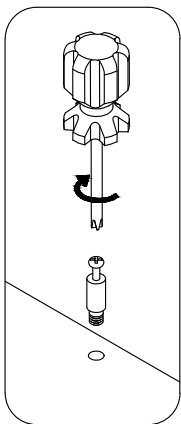
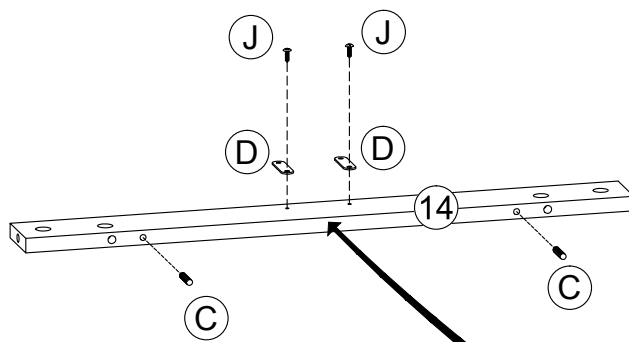
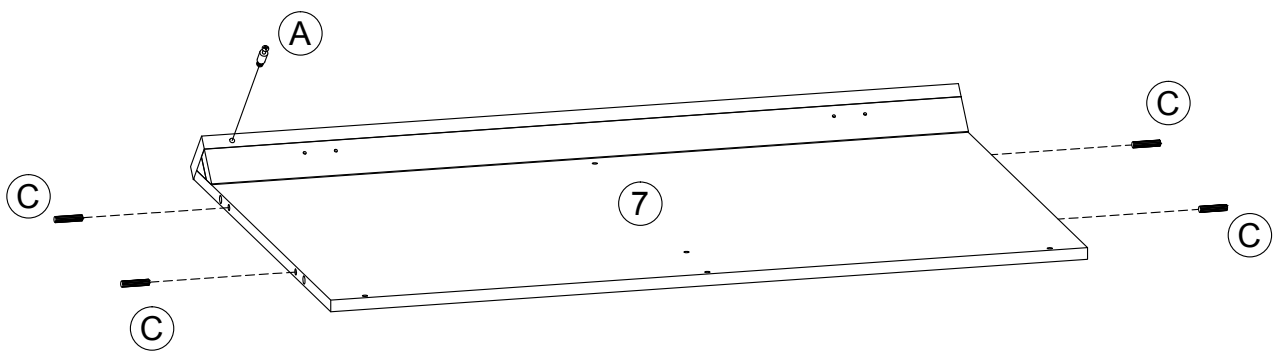
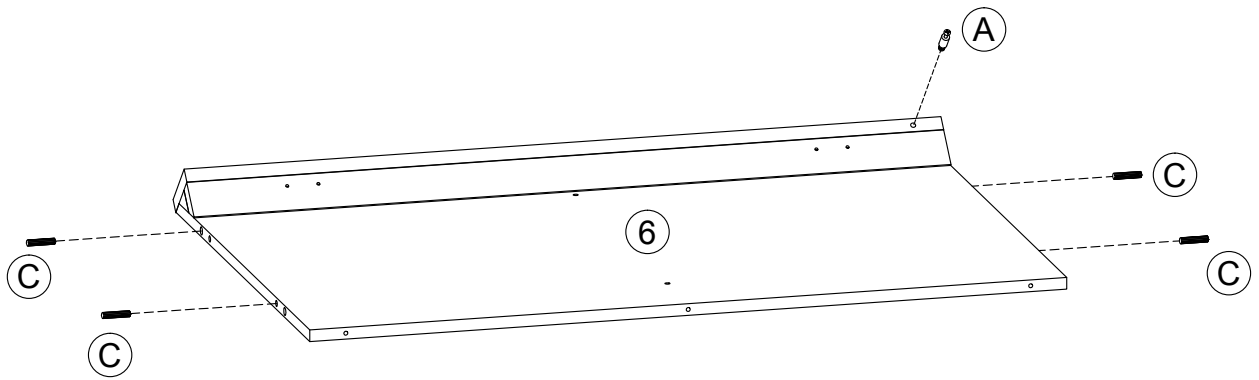
×1




Ⓞ

M3

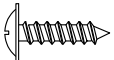
1



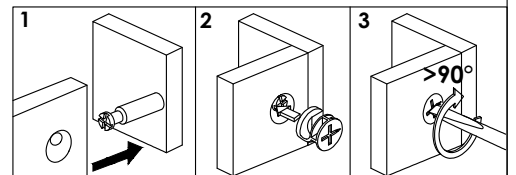
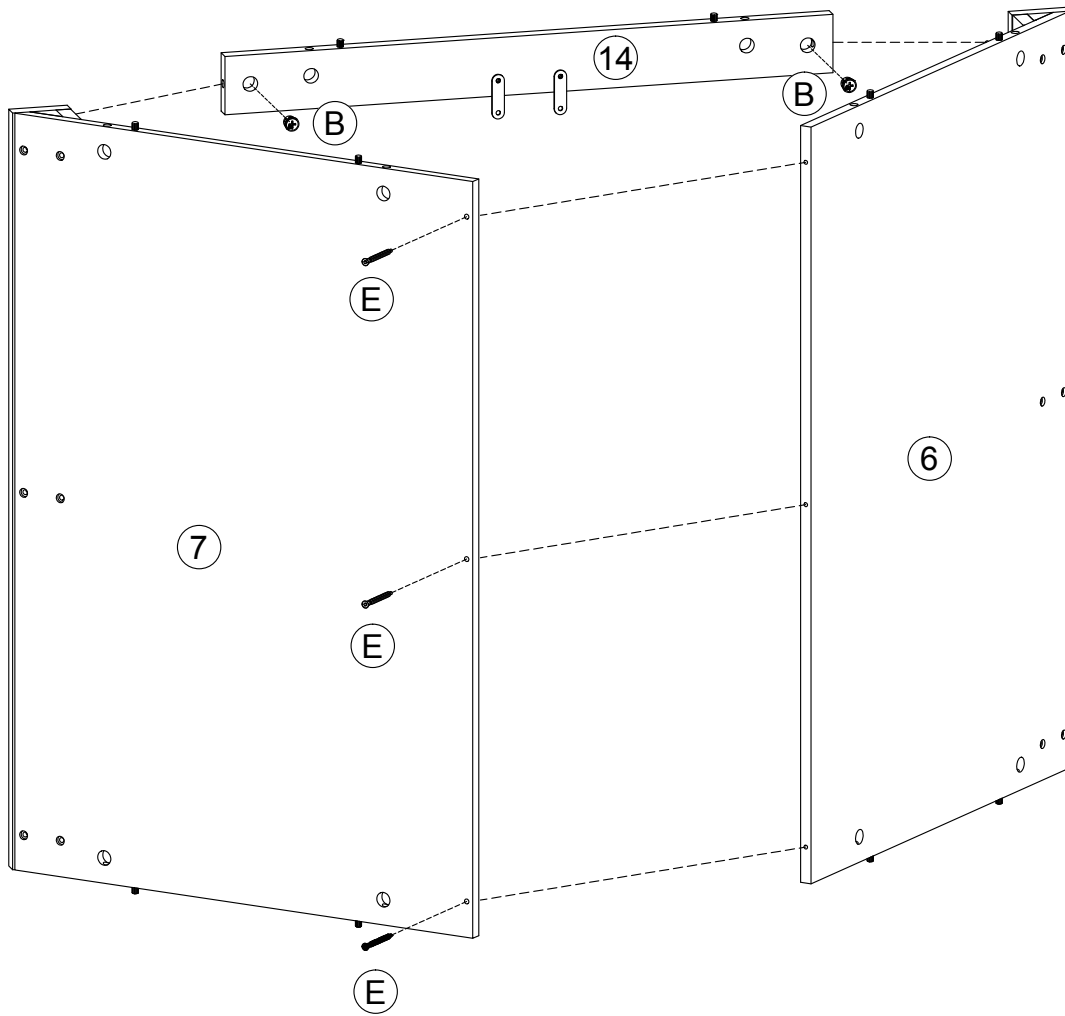
A  [x2]

C  [x10]

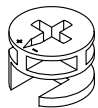
D  [x2]

J  [x2]

2



(B)



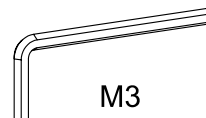
[x2]

(E)



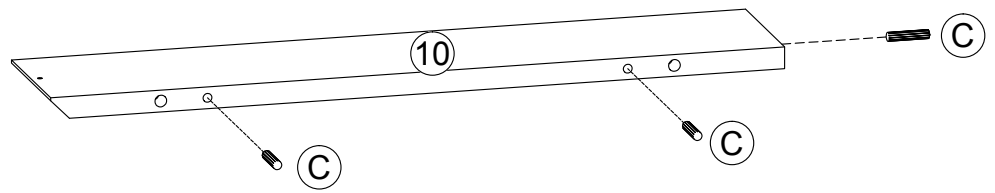
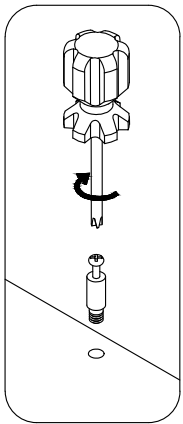
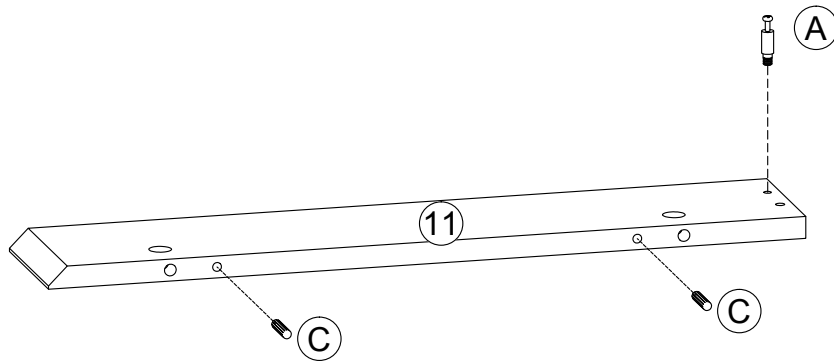
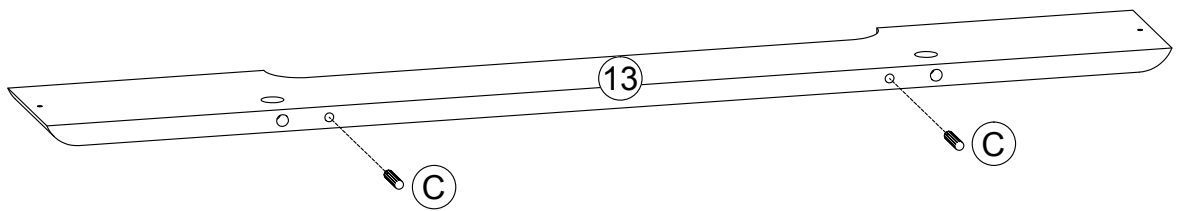
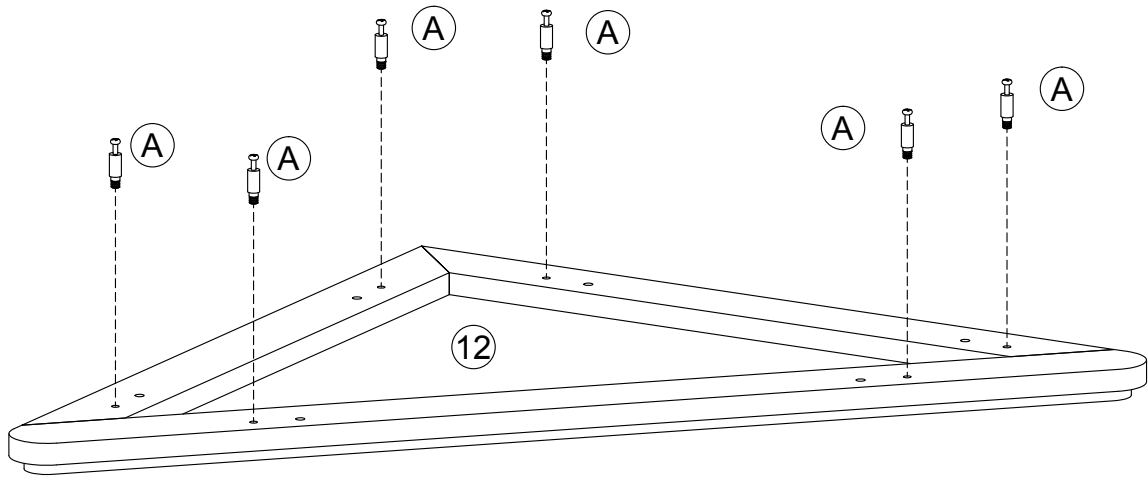
[x3]

(O)



M3

3



A



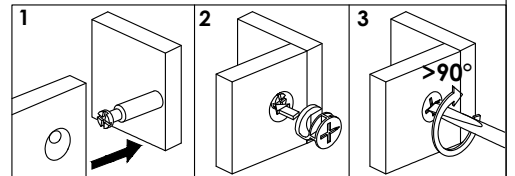
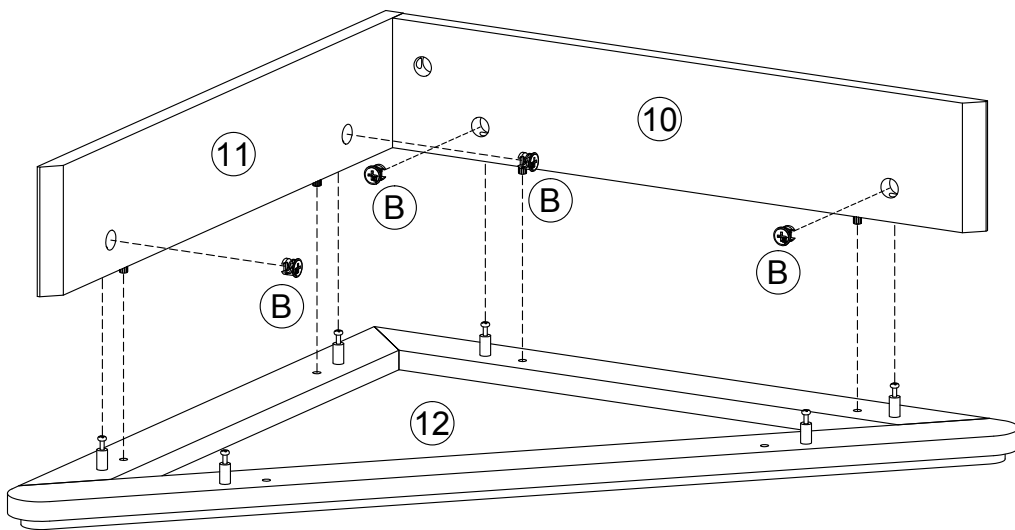
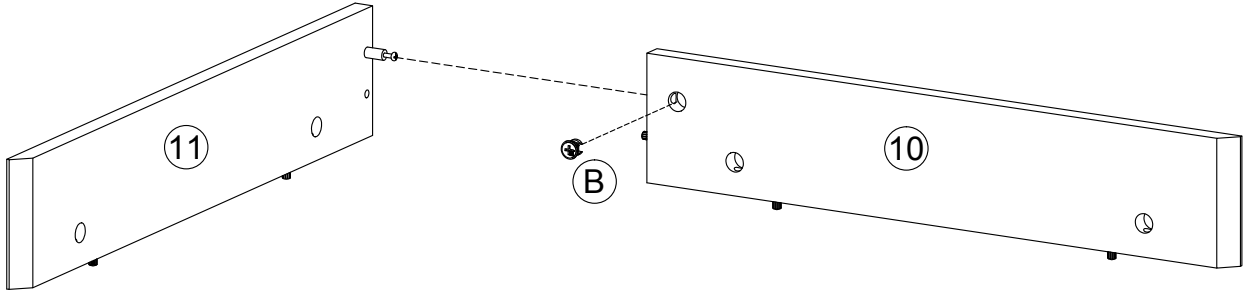
[x7]

C

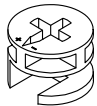


[x7]

4

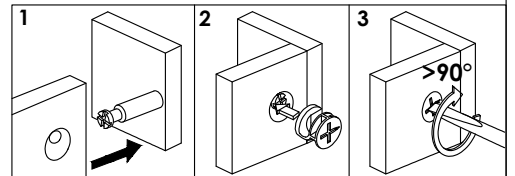
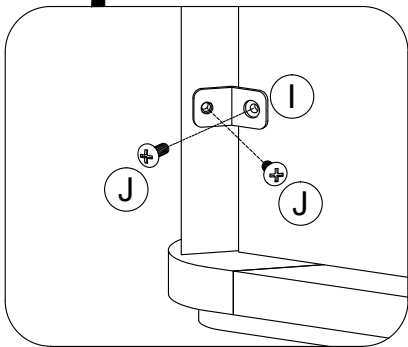
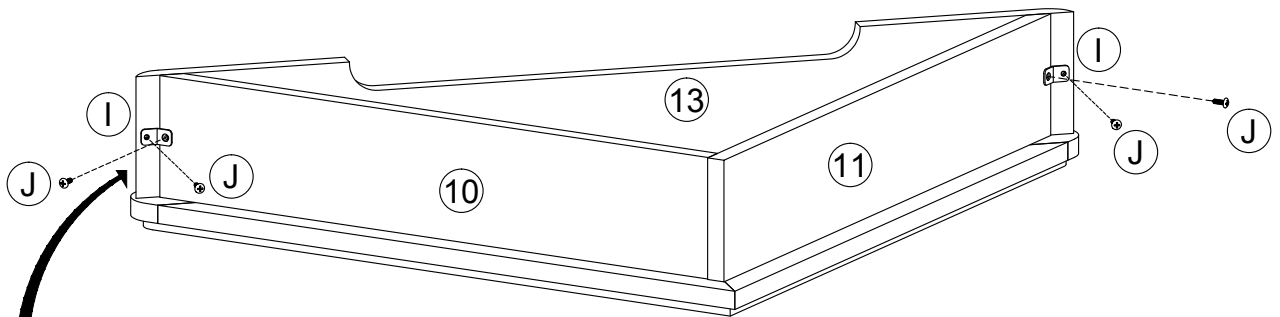
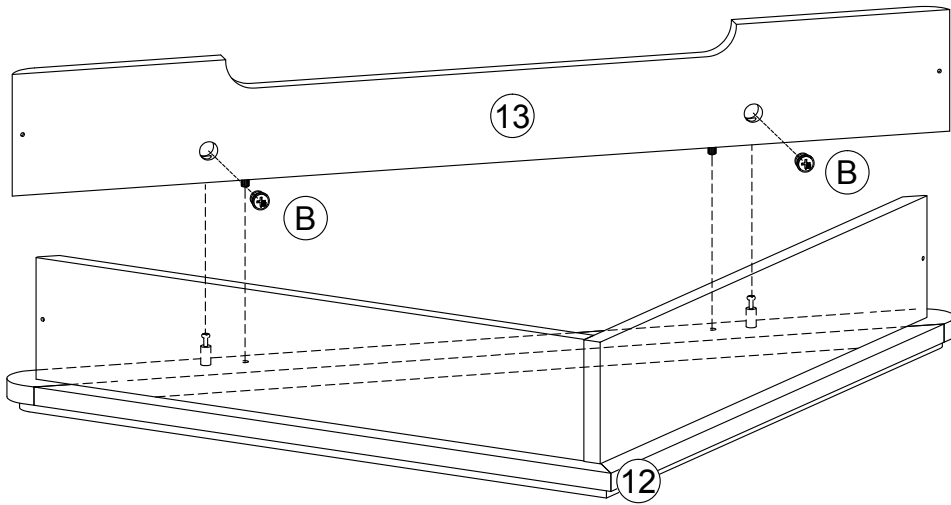


B




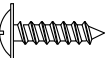
[x5]

5

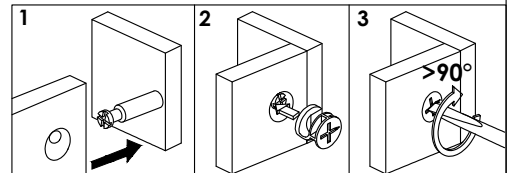
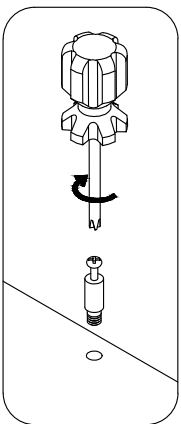
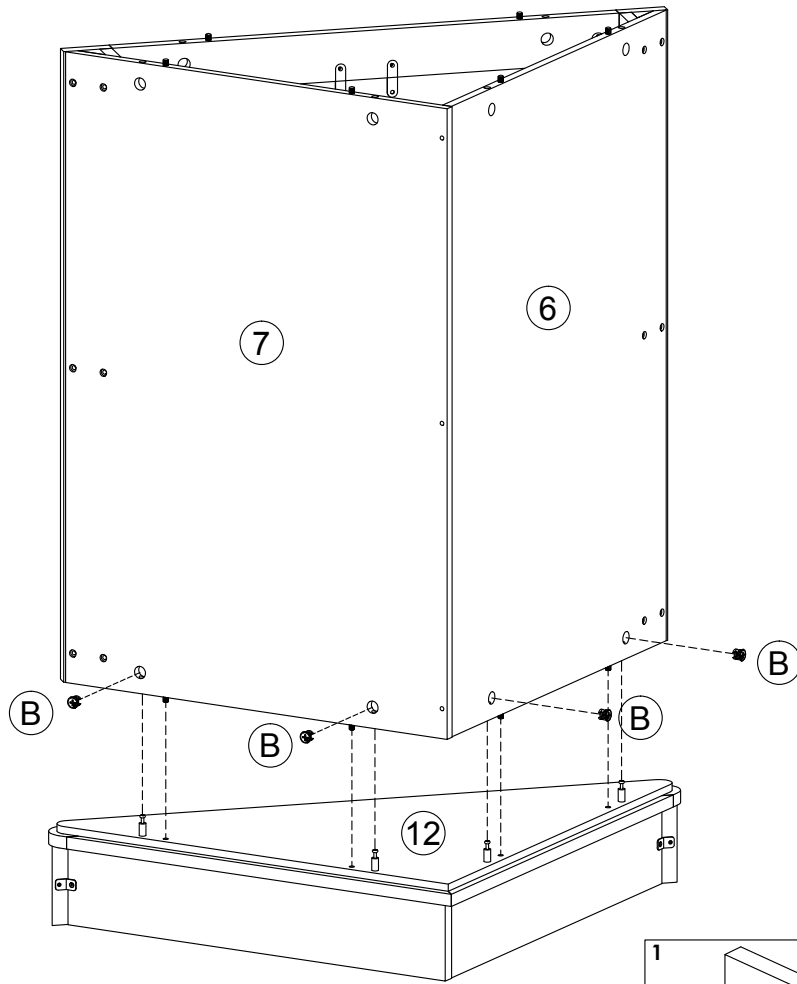
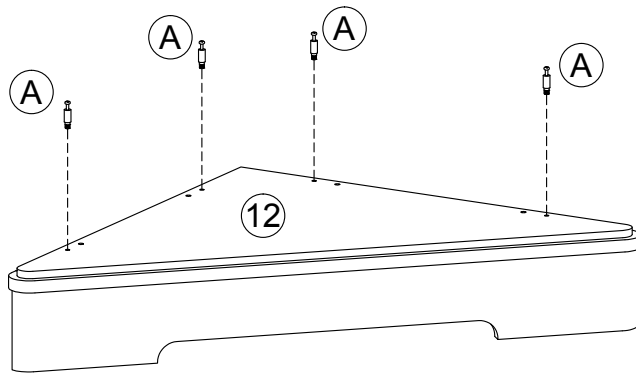


Ⓑ  [×2]

Ⓘ  [×2]

Ⓙ  [×4]

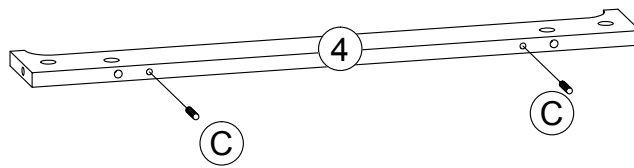
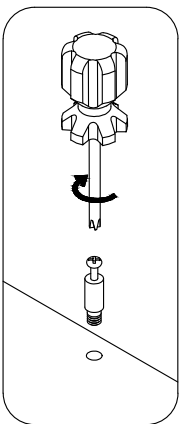
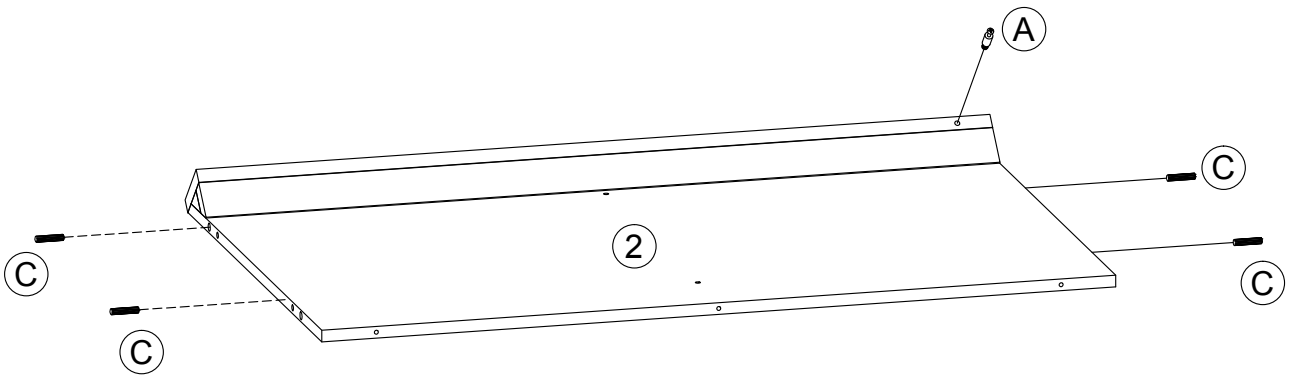
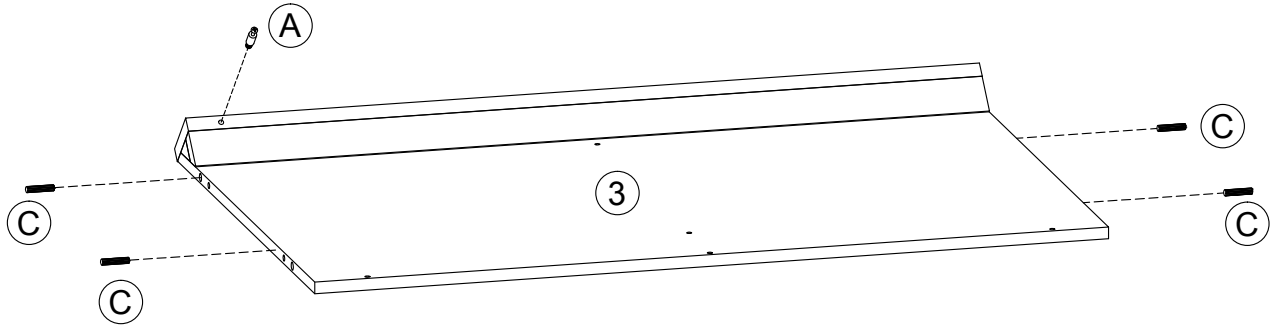
6



A  [x4]

B  [x4]

7



A



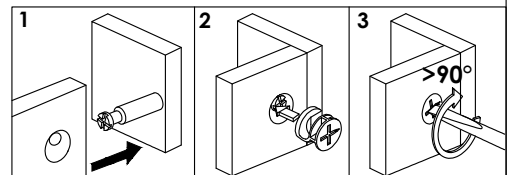
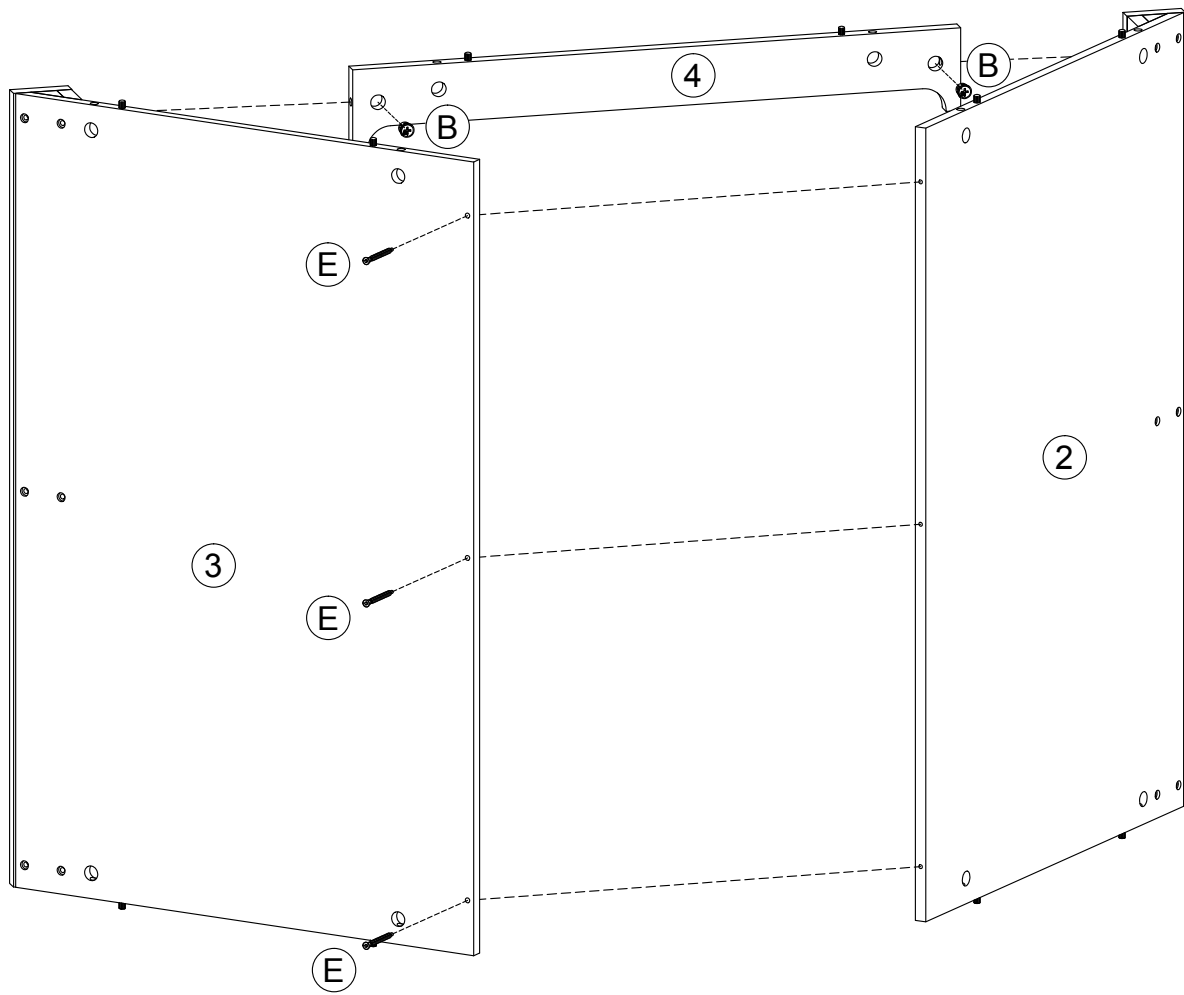
[x2]

C

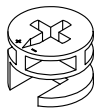


[x10]

8



(B)



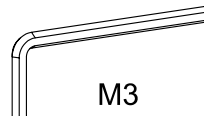
[x2]

(E)



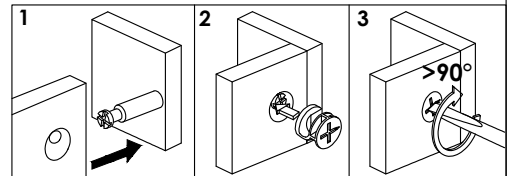
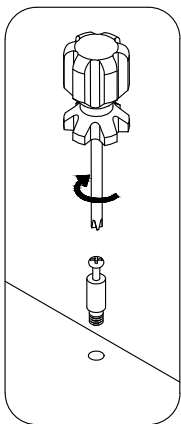
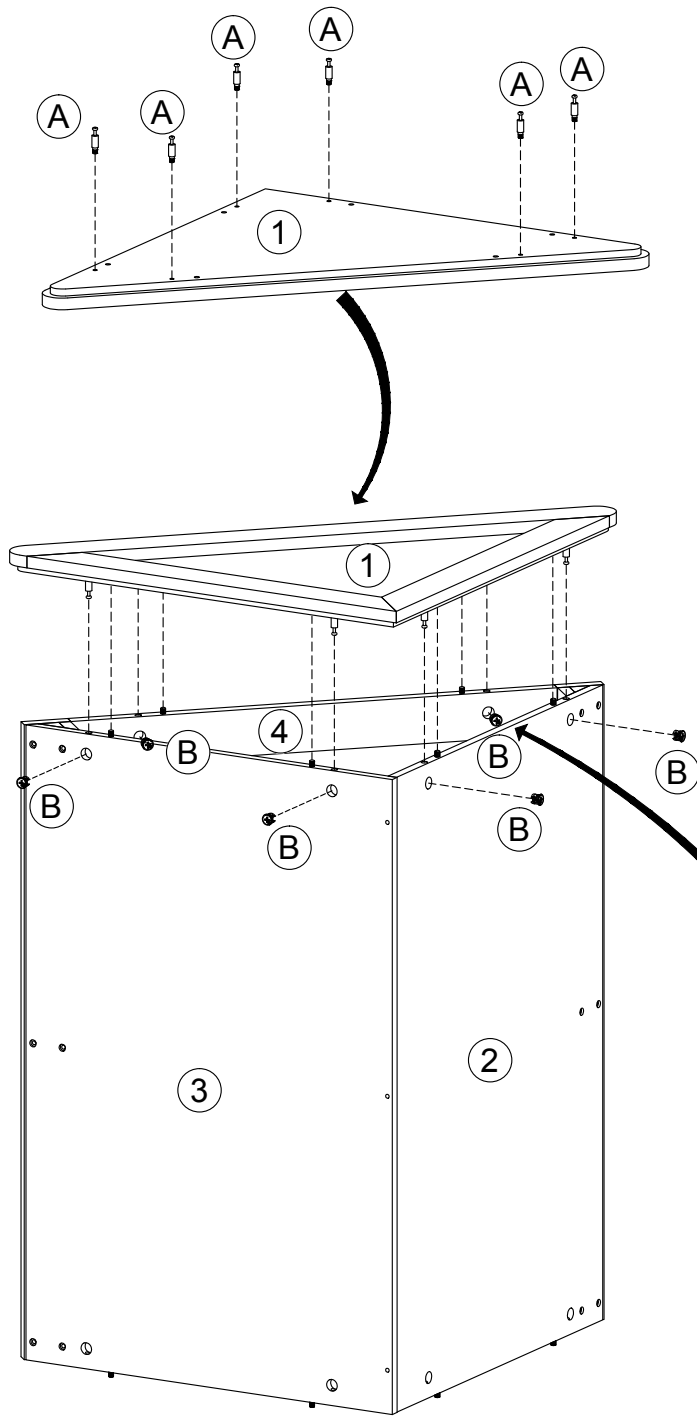
[x3]

(O)



M3

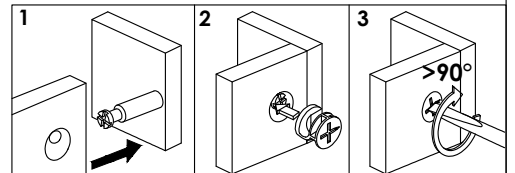
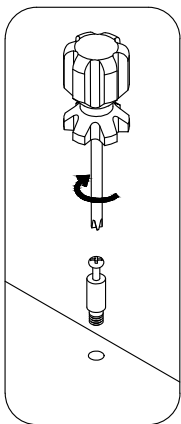
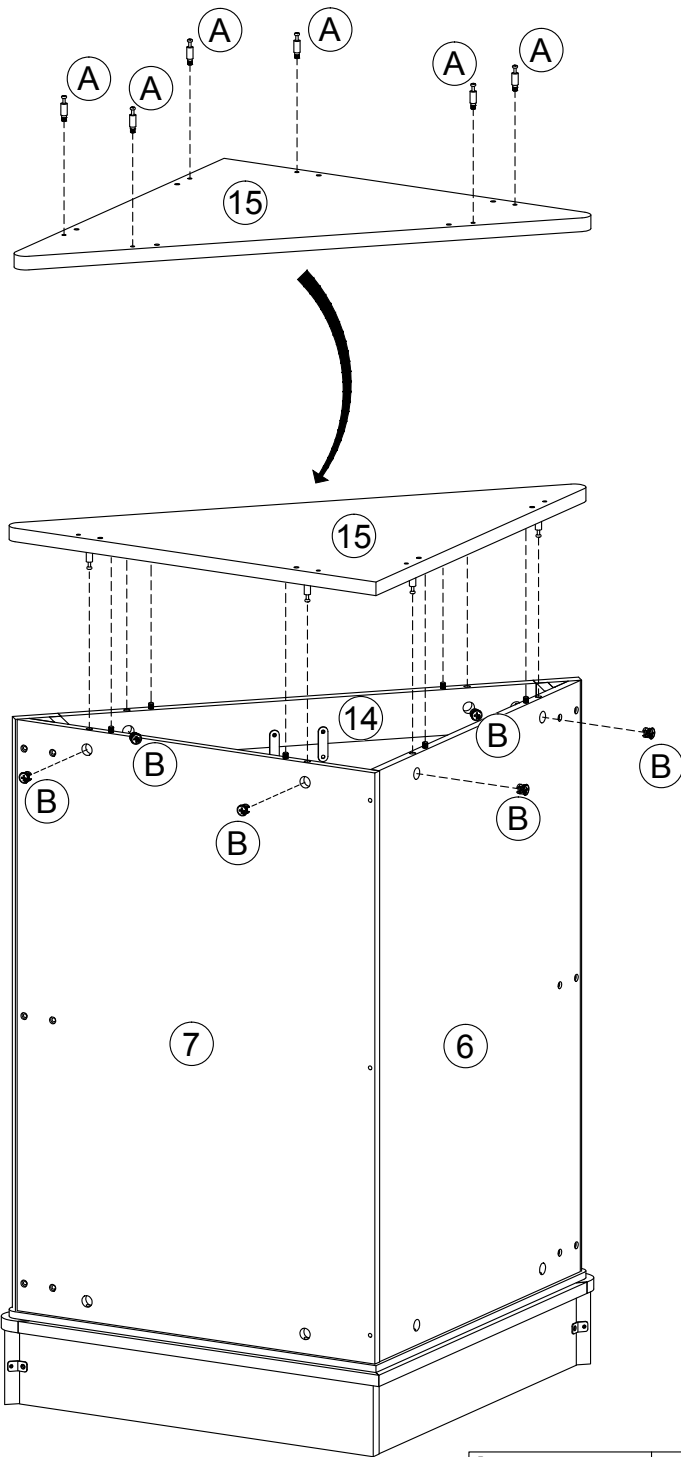
9



(A) [x6]

(B) [x6]

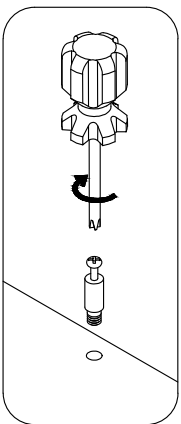
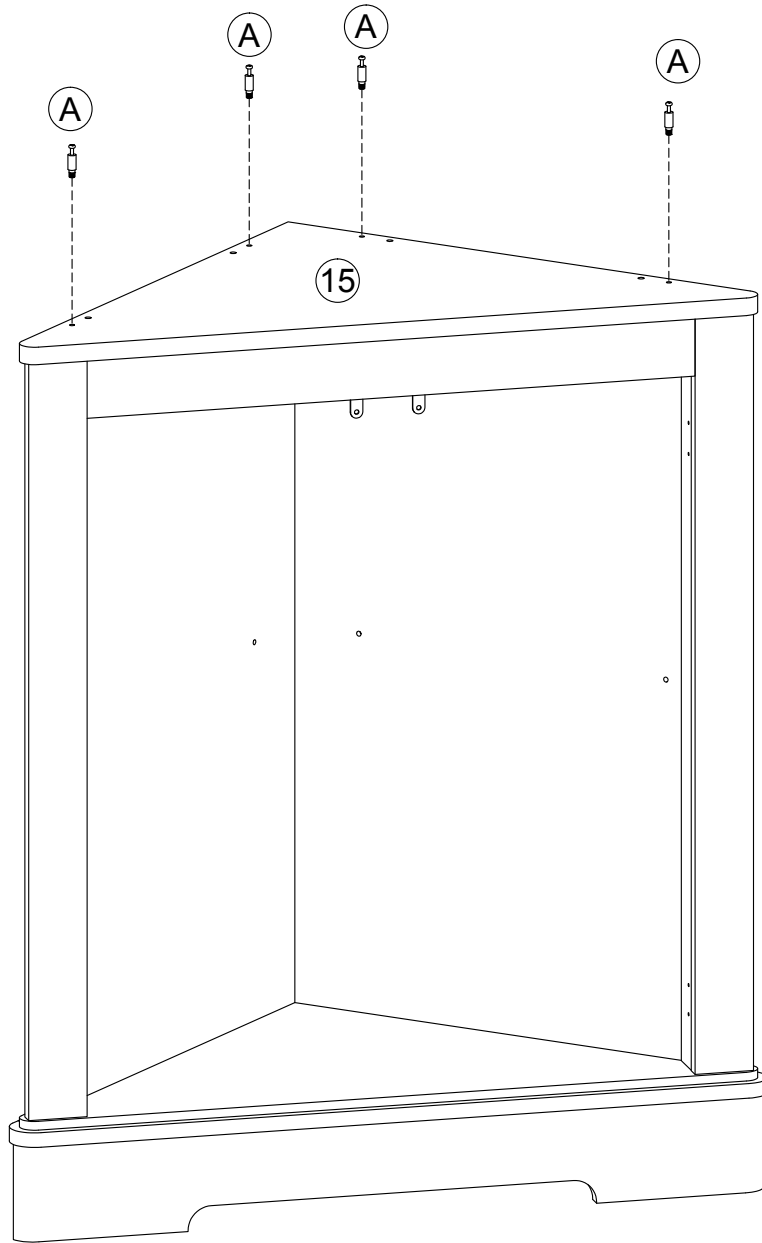
10



A [×6]

B [×6]

11

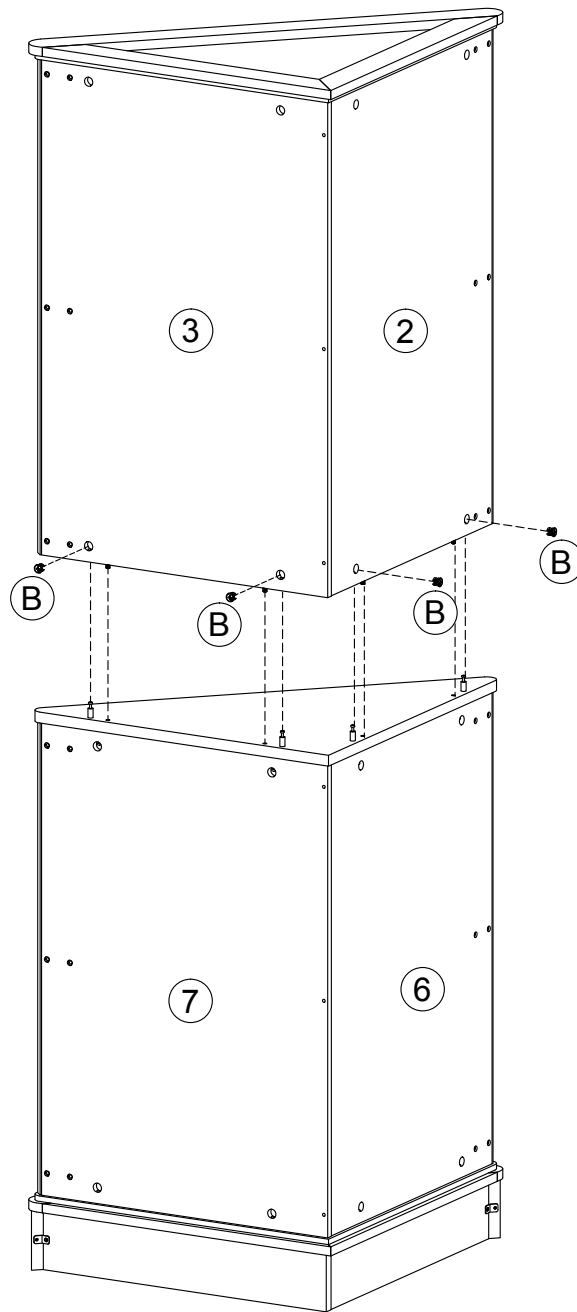


A

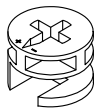


[x4]

12

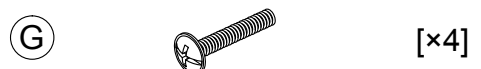
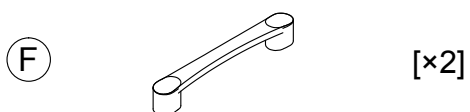
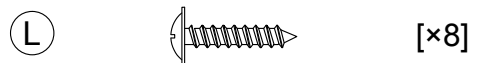
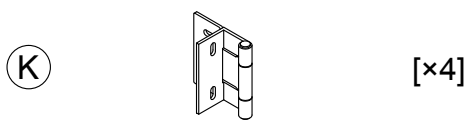
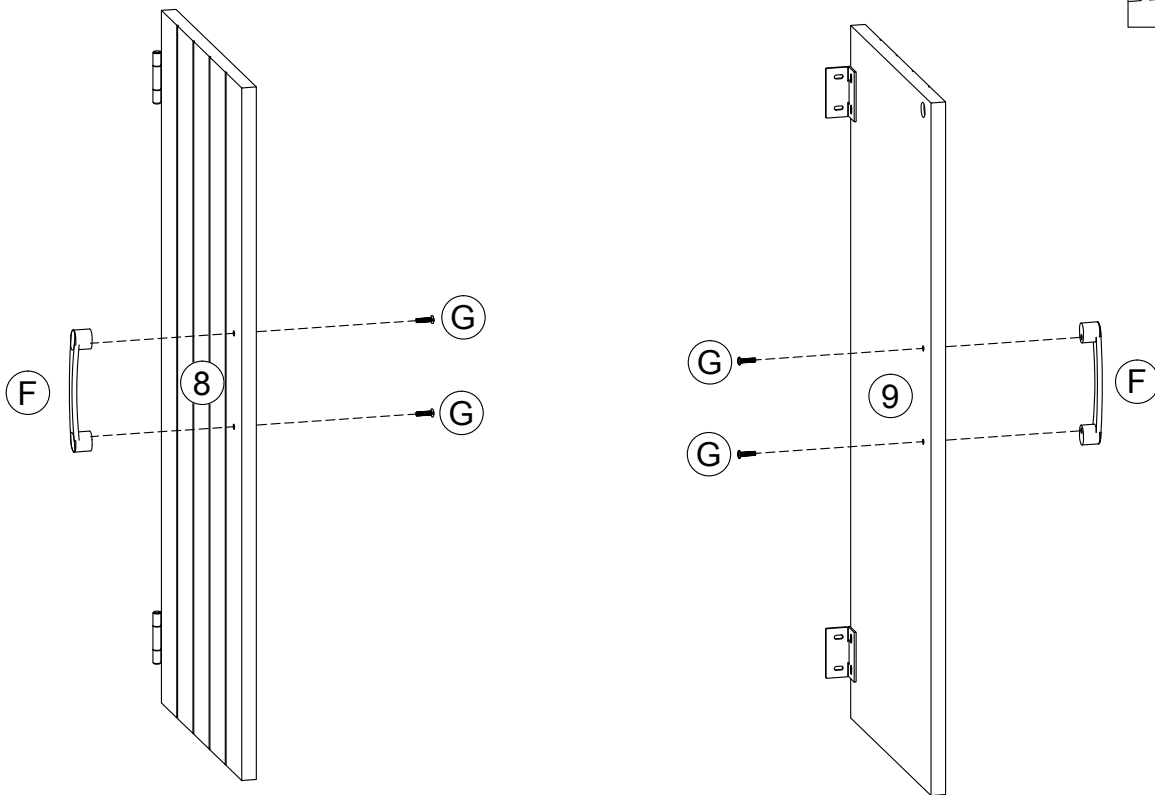
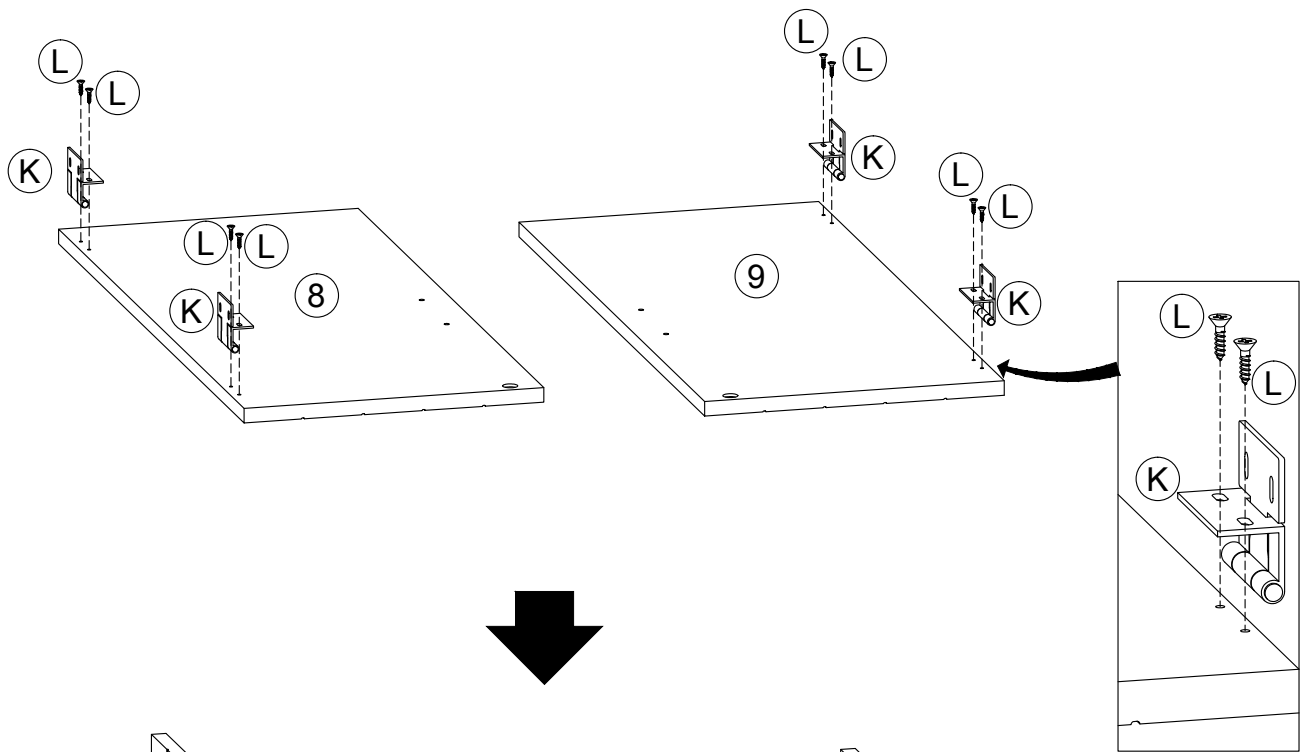


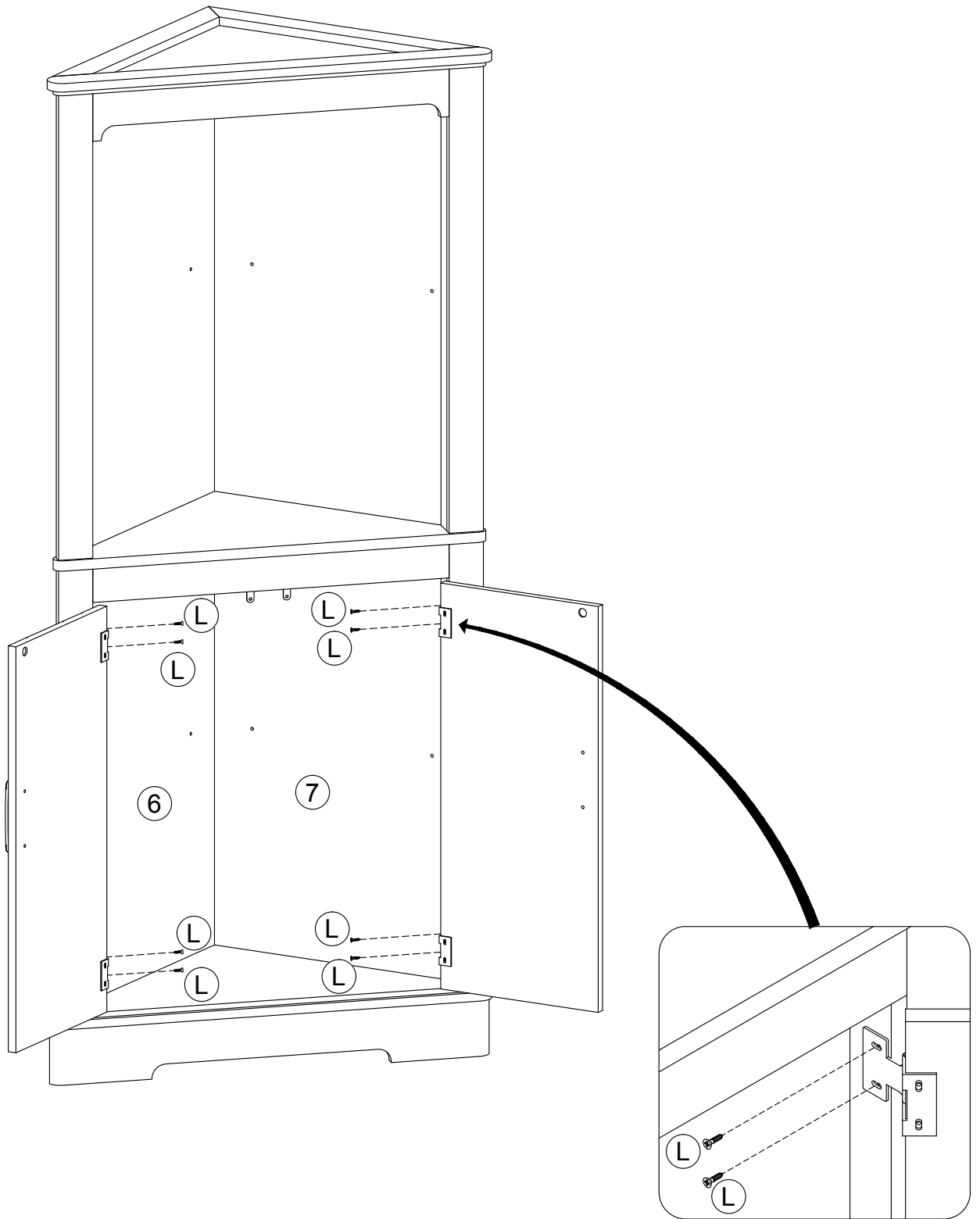
(B)



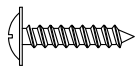
[x4]

13

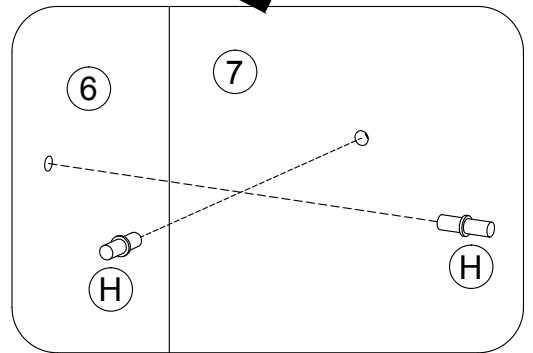
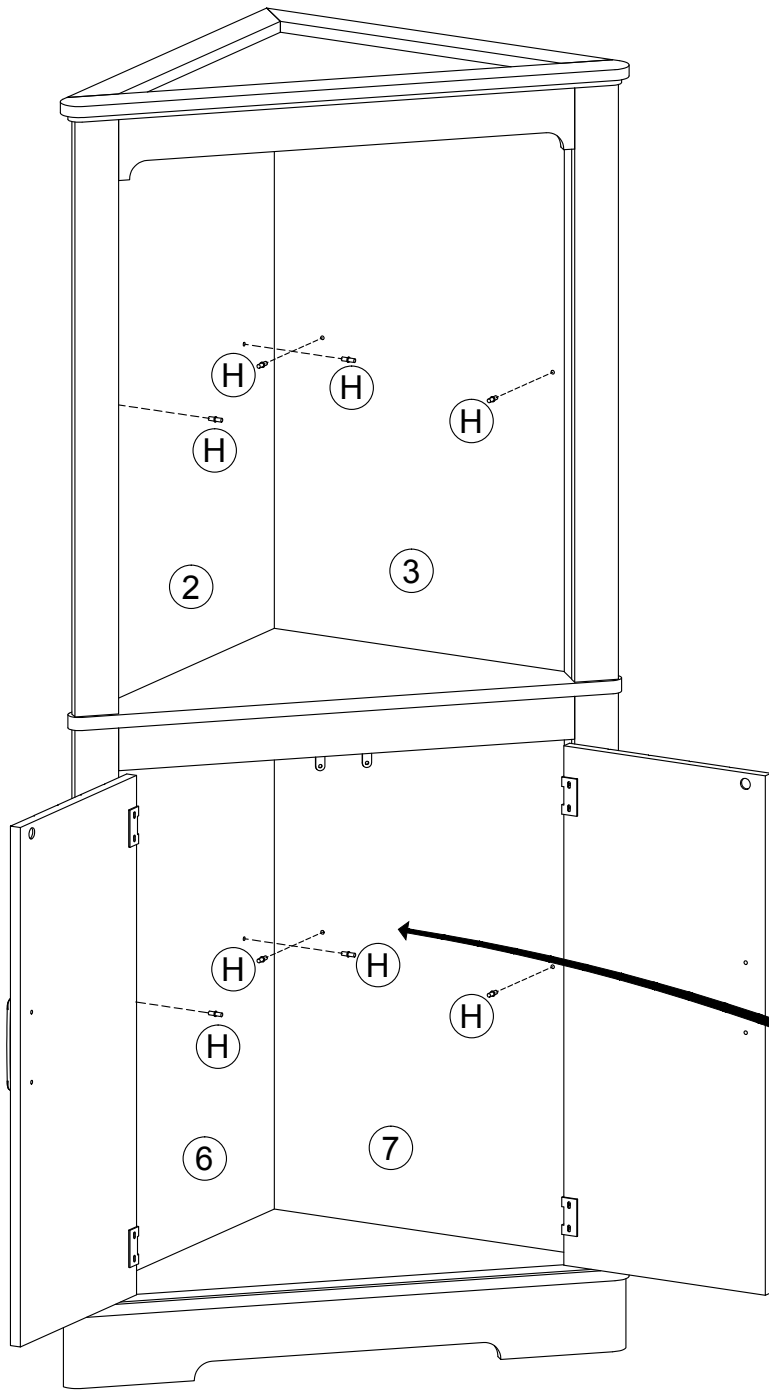




(L)



[x8]

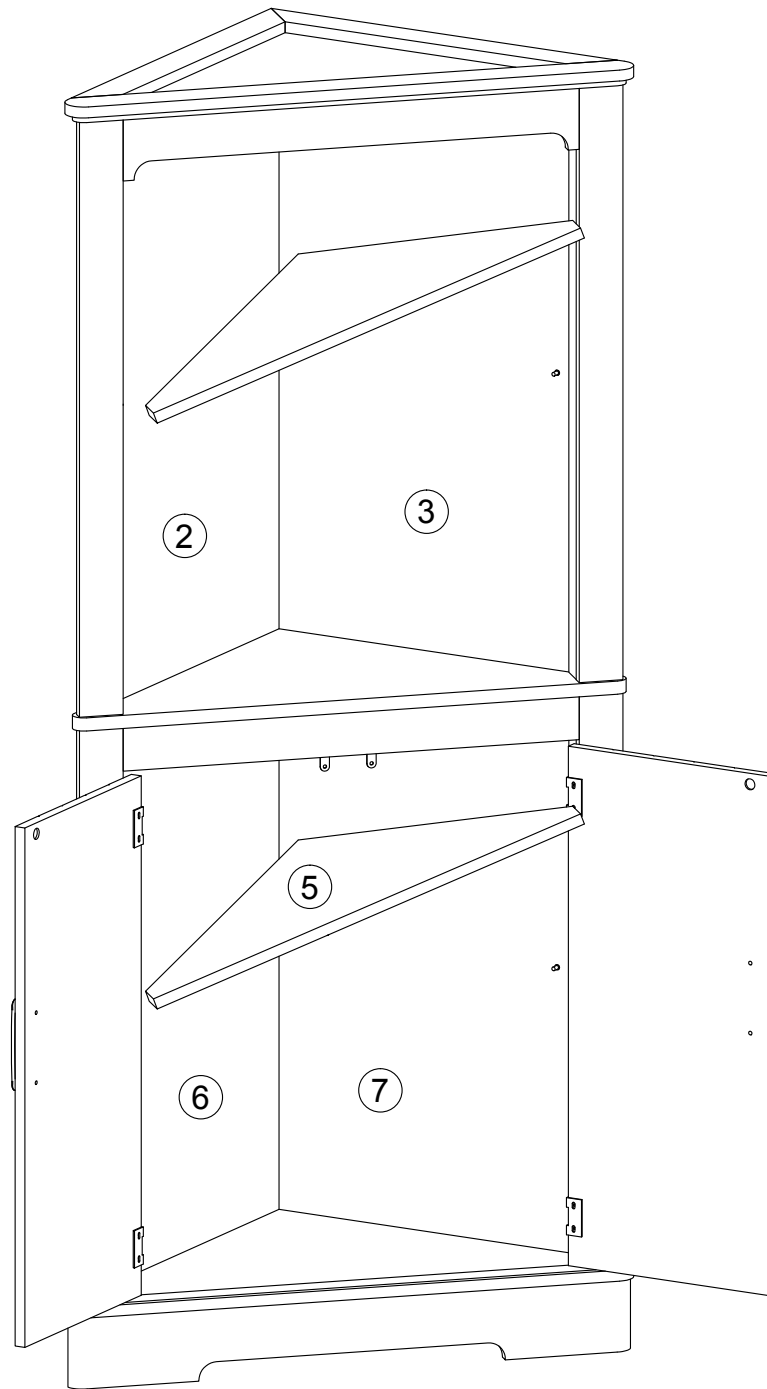


Ⓜ

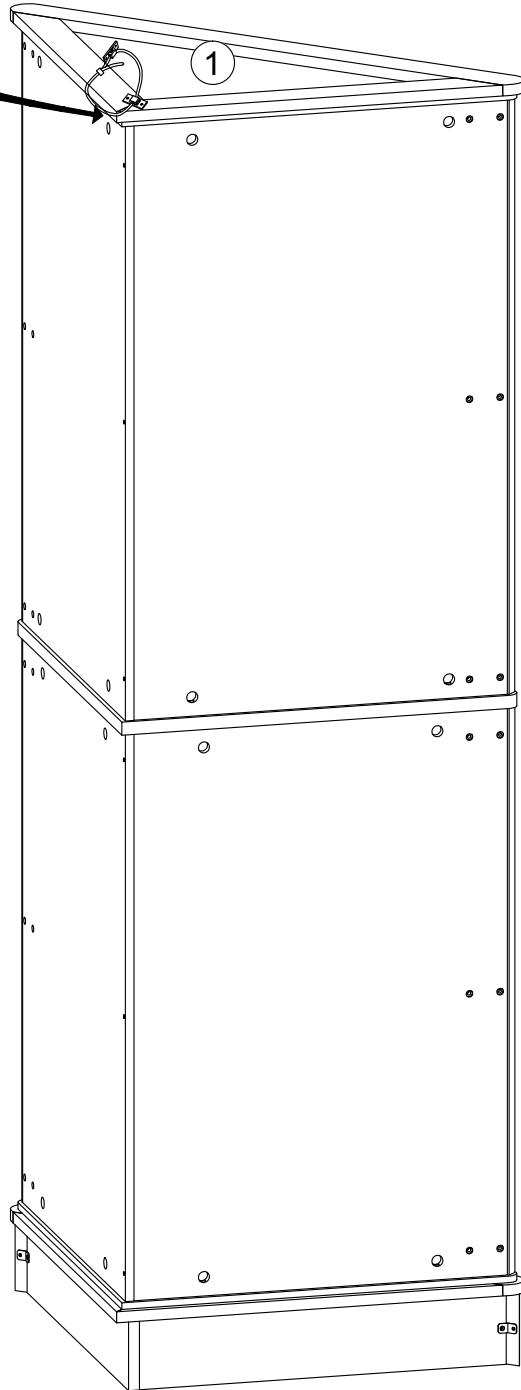
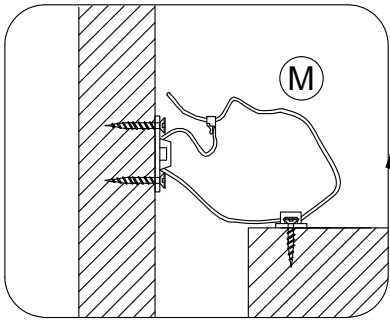


[x8]

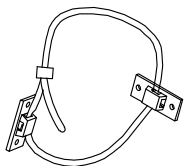
16



17



M



[x1]