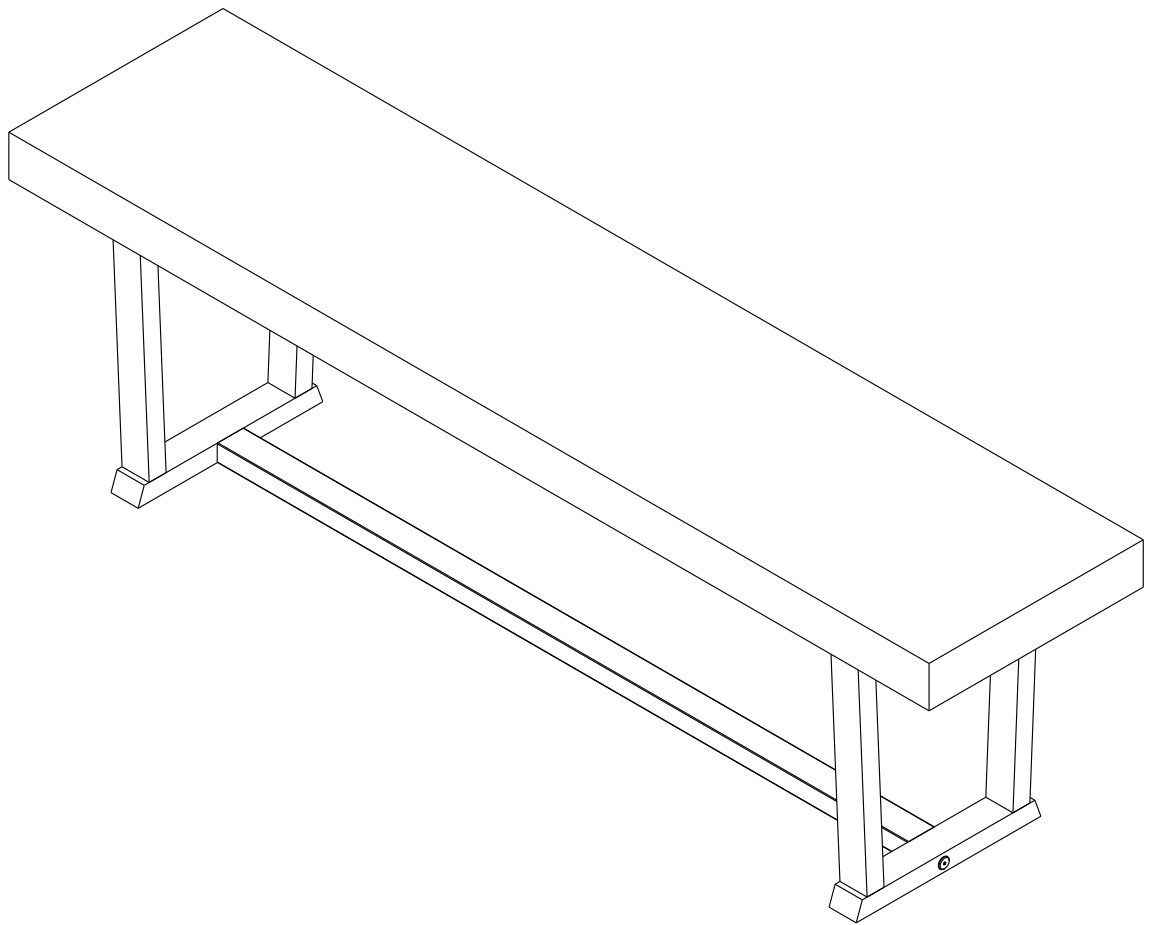
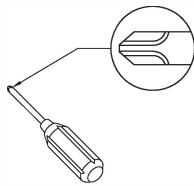


# Assembly Instructions

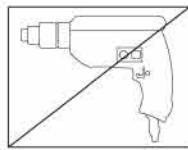


# General Assembly Guidelines

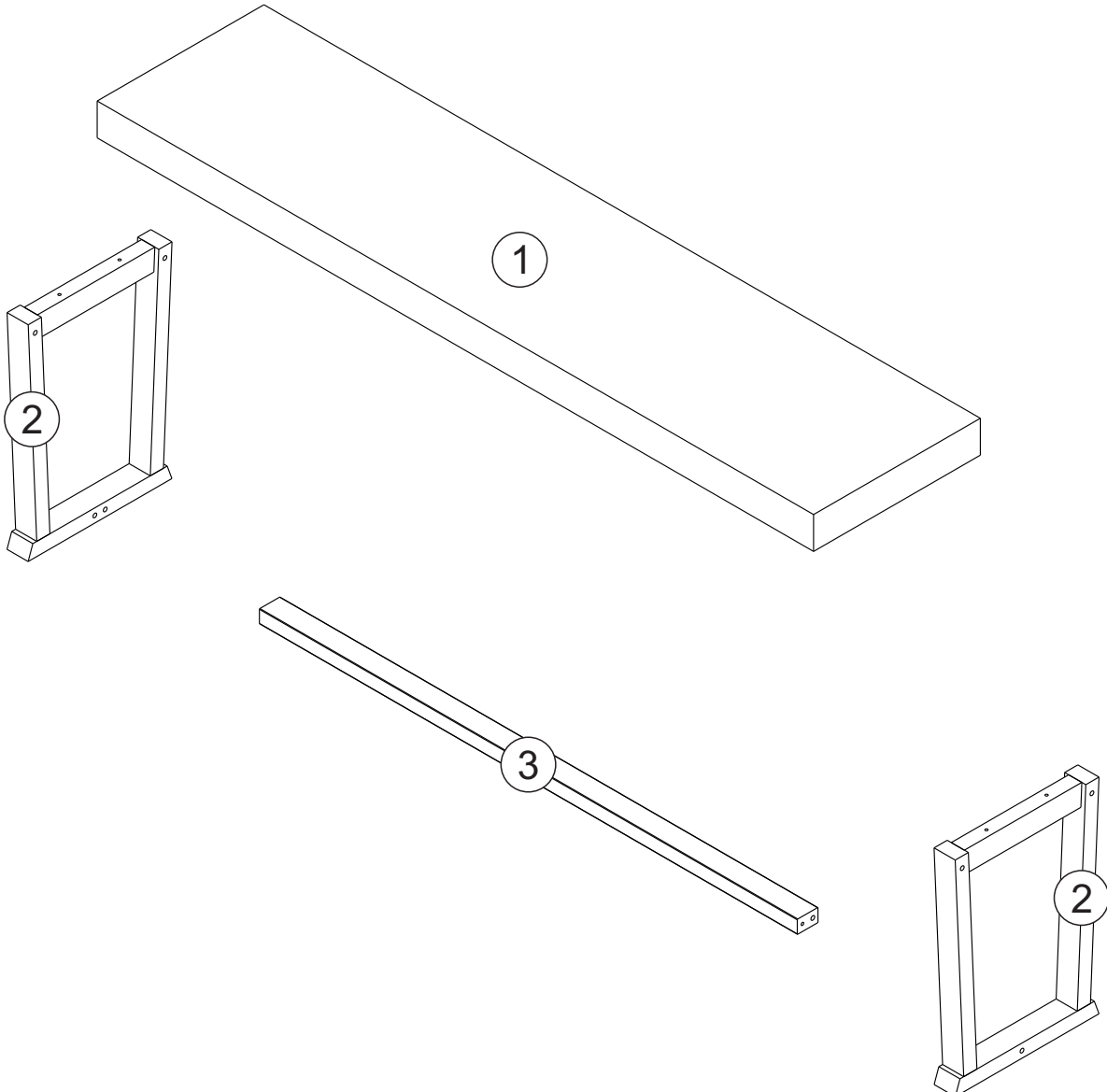
- I. Ensure that all parts and hardware are available before beginning assembly.
- II. Follow each step carefully to ensure the proper assembly of this product.
- III. Two people are recommended for ease in the assembly of this product.
- IV. The three main types of hardware used to assemble this product are : wood dowels , screws and bolts.
- V. A head screwdriver is required for the assembly of this product .



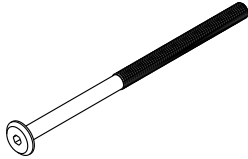
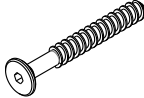

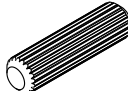

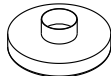
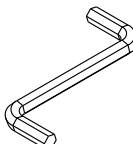
- VI. Power tools should not be used to assemble this product .

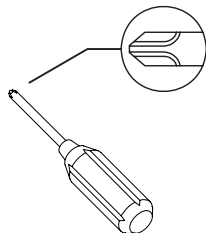
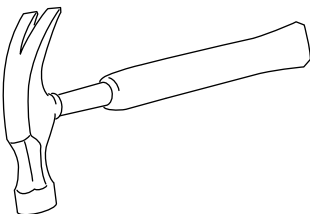


# Parts List



# Hardware List

A		Ø 1/4x80mm	Bolt	04 pcs
B		Ø 7x80mm	Bolt	02 pcs
C		Ø 4x35 mm	Screw	04 pcs
D		Ø8x30 mm	Wood dowel	02 pcs
E		Ø 1/4"	Barrel nut	04 pcs
F			Plastic foot	04 pcs
G		M4	Hex key	01 pcs



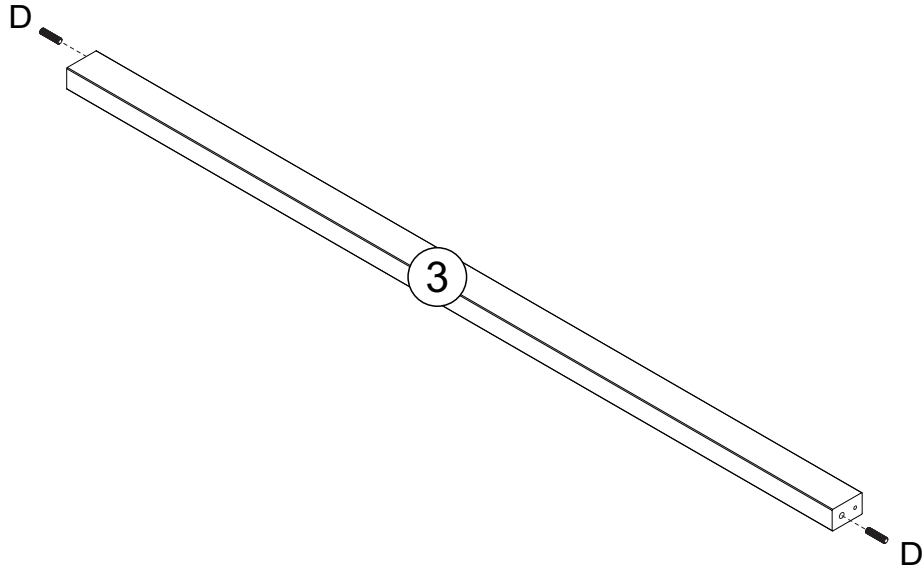
head screwdriver required for assembly  
(not included)

Mallet or hammer recommended for assembly  
(not included)

*The hardware quantities listed above are required for proper assembly.  
Some extra hardware may also have been included.*

# Step 1

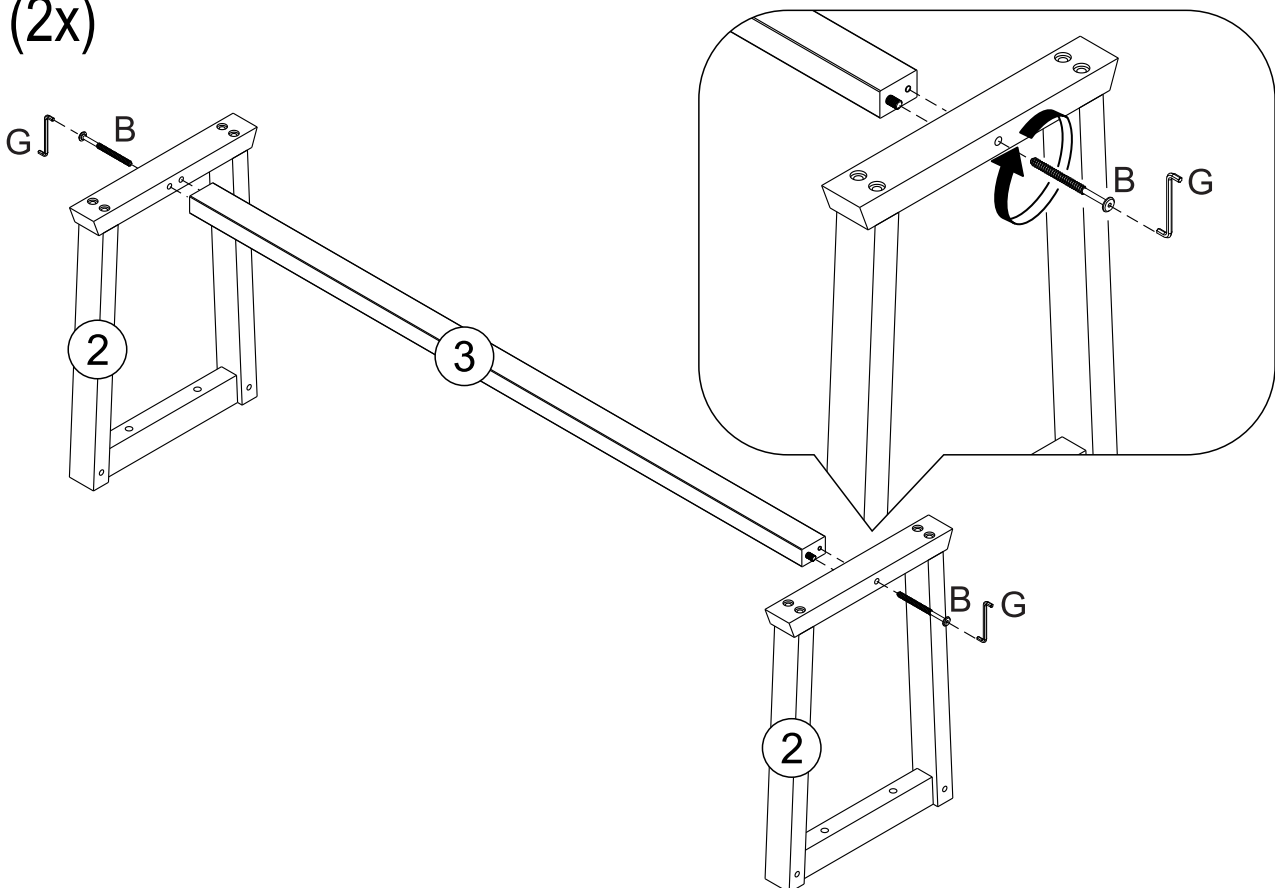
Insert wood dowel ( D ) into part ( 3 ).



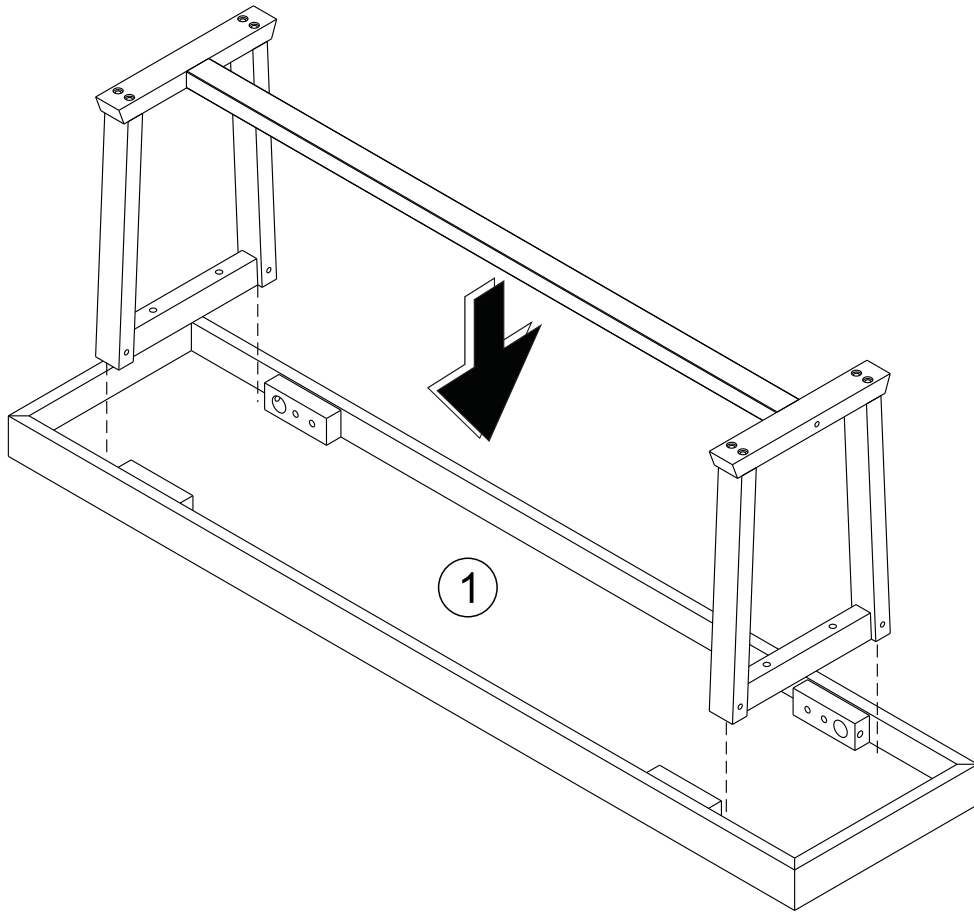
# Step 2

Attach parts ( 2 ) to part ( 3 ) using bolt ( B ) and hex key ( G ).

(2x)

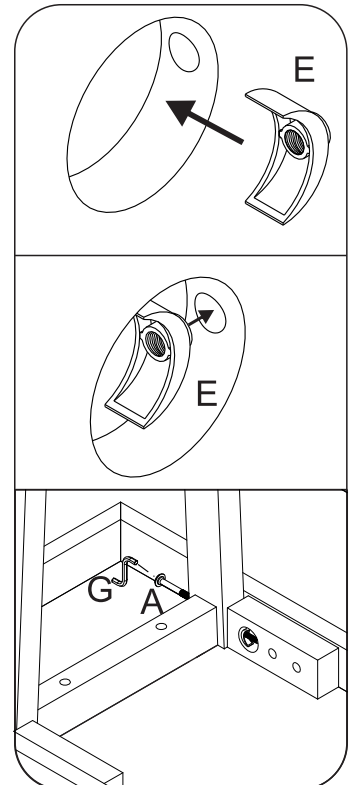
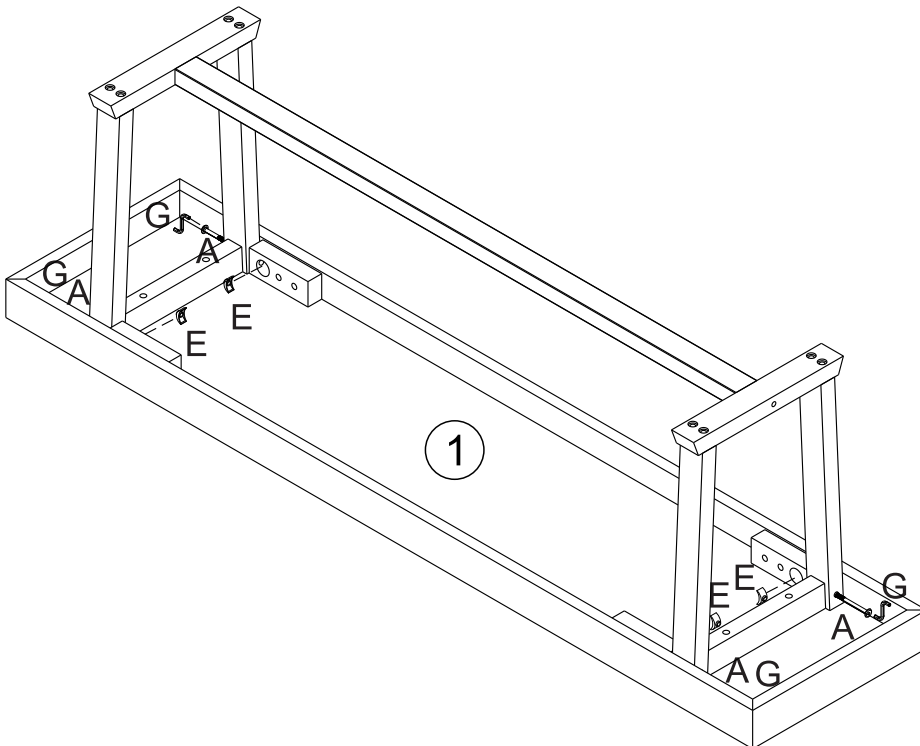


# Step 3

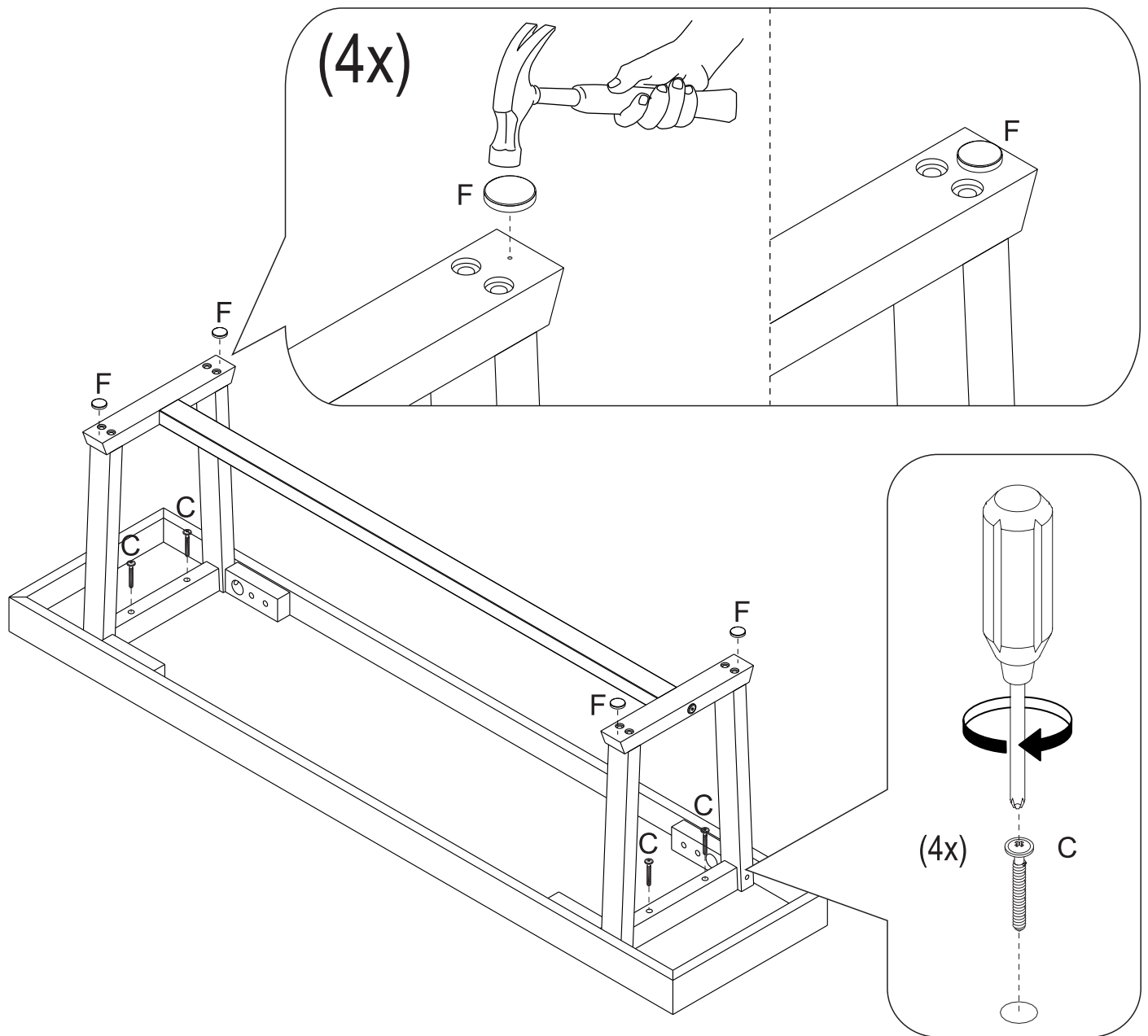


# Step 4

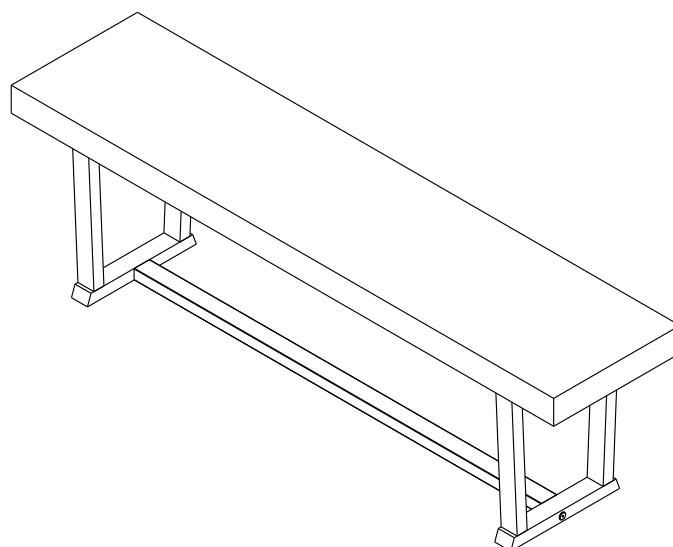
Attach part ( 1 ) using bolt ( A ) with barrel nut ( E ) and hex key ( G ).



## Step 5 Attach screws ( C ) and plastic feet ( F ).



## Step 6



Final Assembly.