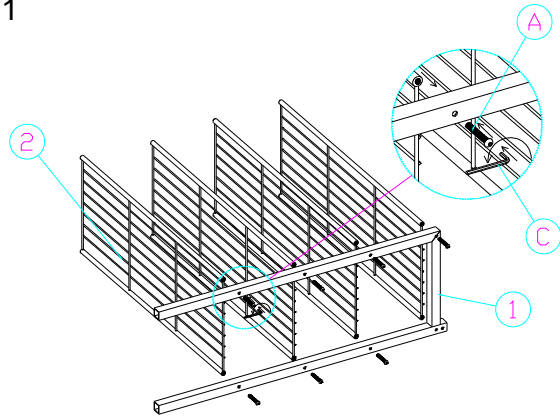


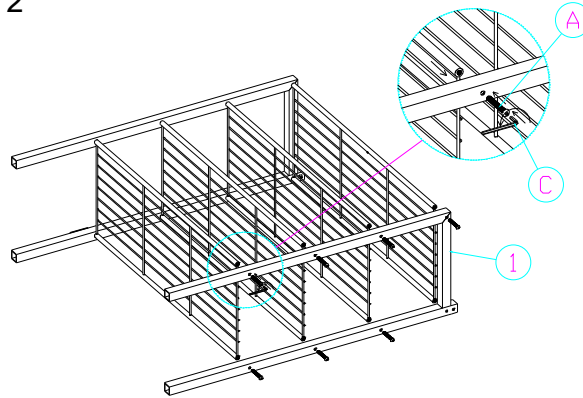
ST17262 ASSEMBLY INSTRUCTION

**** Do not tighten any bolts until all of them have been started!**

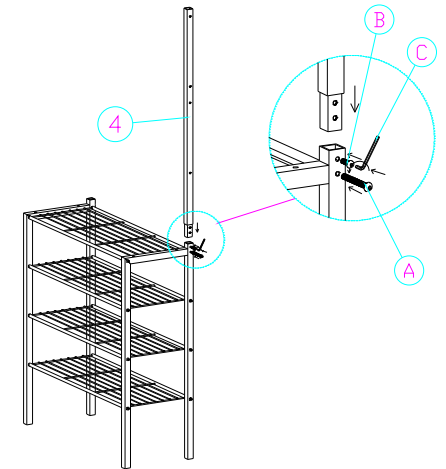
Step 1



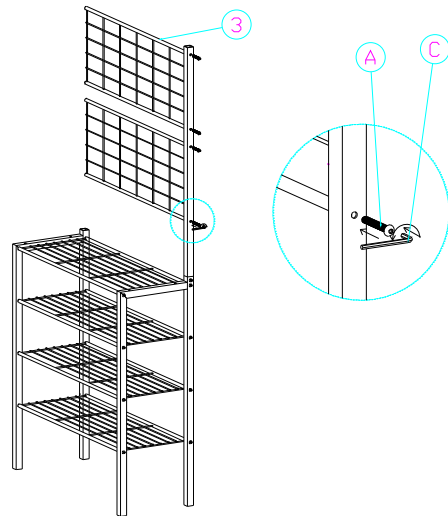
Step 2



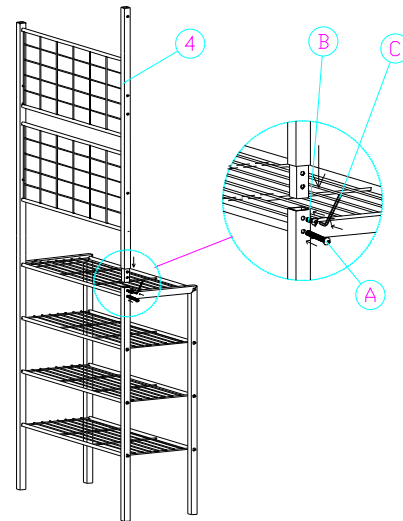
Step 3



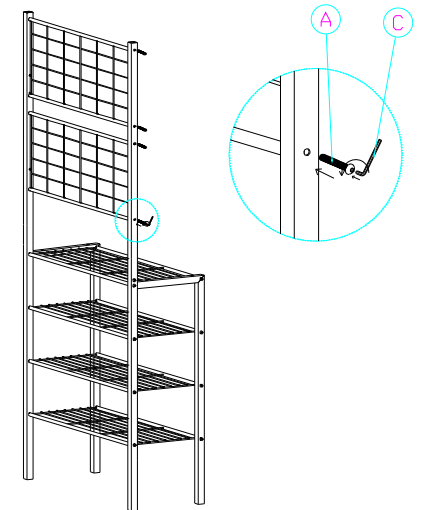
Step 4



Step 5



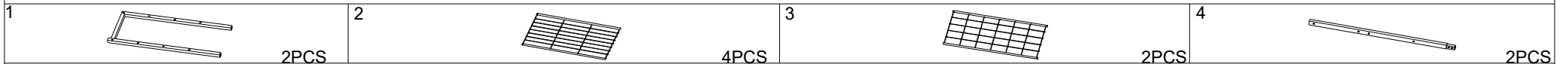
Step 6



ACCESSORY PACK



COMPLETE HARDWARE



For missing parts or replacement, you may contact your merchant or its distribution center (Ph: 714-288-2005, Email: promanproducts@hotmail.com).
For any other questions, please contact Customer Service Department of the merchant from where you placed your order.

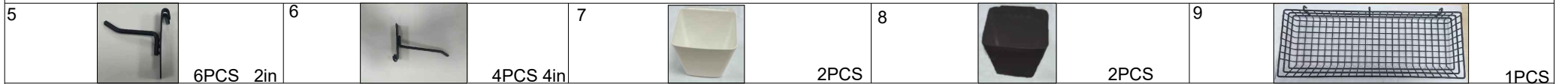
ST17262 ASSEMBLY INSTRUCTION

** Do not tighten any bolts until all of them have been started!

Completed



COMPLETE HARDWARE



For missing parts or replacement , you may contact your merchant or its distribution center(Ph: 714-288-2005, Email:promanproducts@hotmail.com).
For any other questions, please contact Customer Service Department of the merchant from where you placed your order.