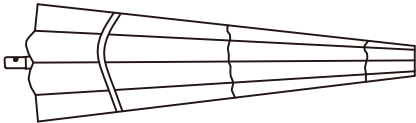




User's Manual

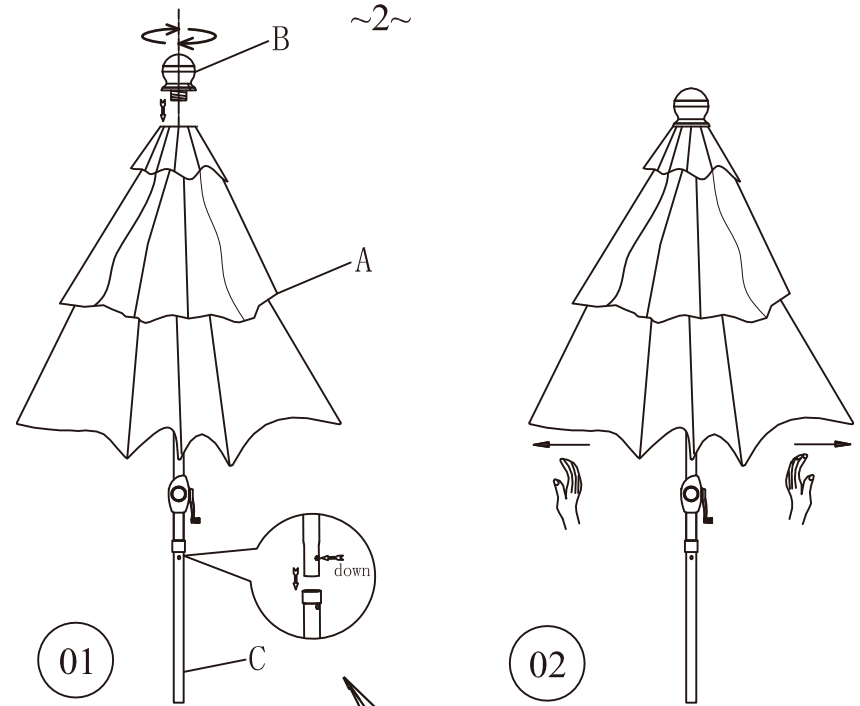
~1~



COMPONENTS

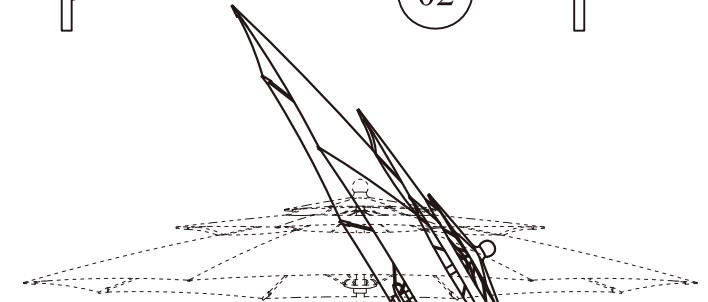
PART	PICTURE	QTY
A		1
B		1
C		1

~2~



01

02



03

Attention!

1. Turn crank clockwise to fully open your umbrella

2. Keep turning clockwise to tilt the umbrella cover

3. To fold up, turn anti-clockwise

