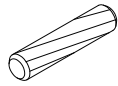


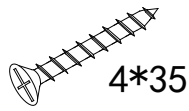
A x31



B x31



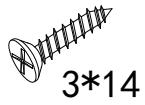
C x46



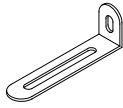
D x16
4*35



E x4



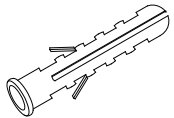
F x8
3*14



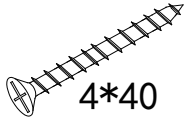
G x2



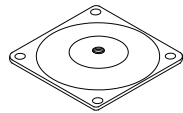
H x26
4*12



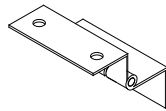
I x2



J x2
4*40



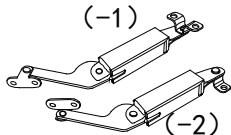
K x4



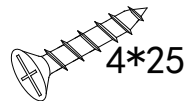
L x3



M x12
3*12



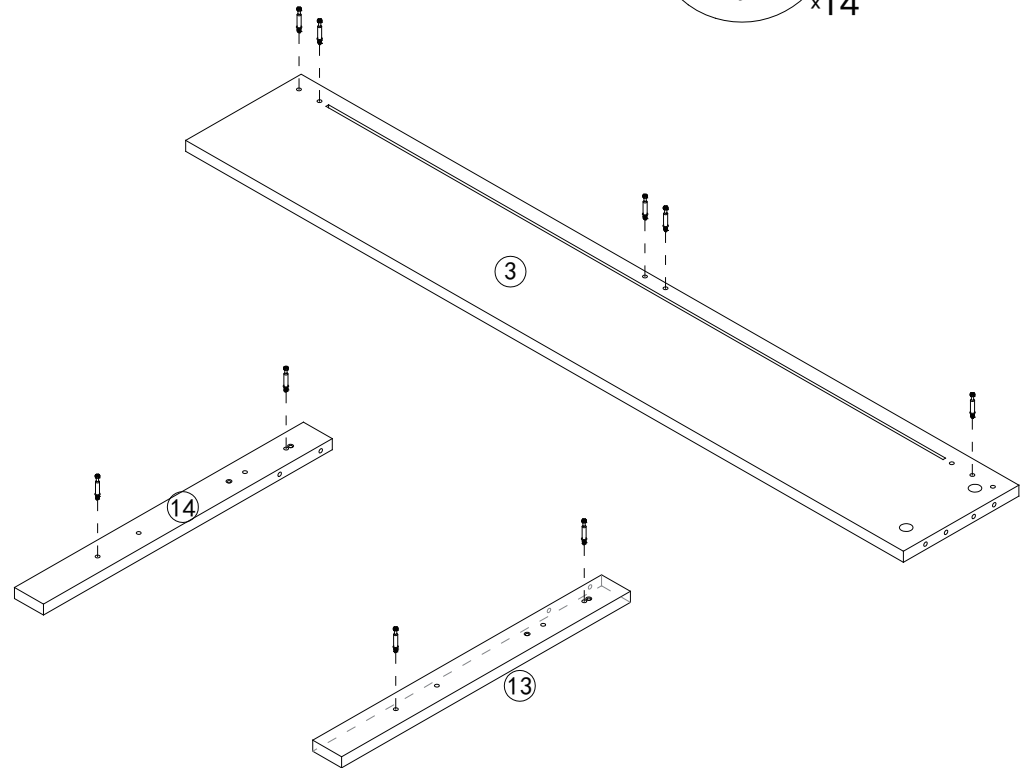
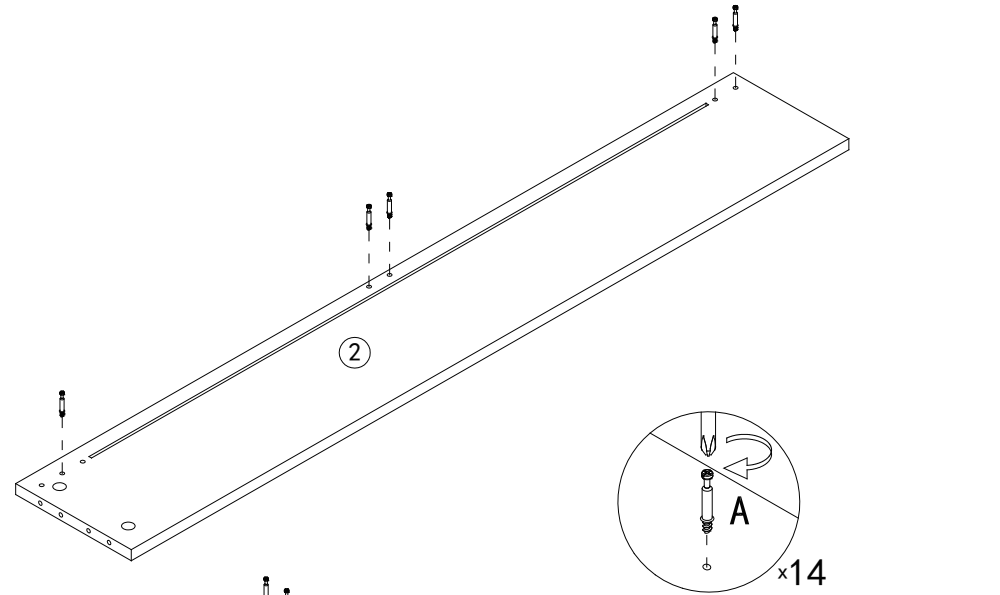
N x1
(-1)
(-2)



O x8
4*25

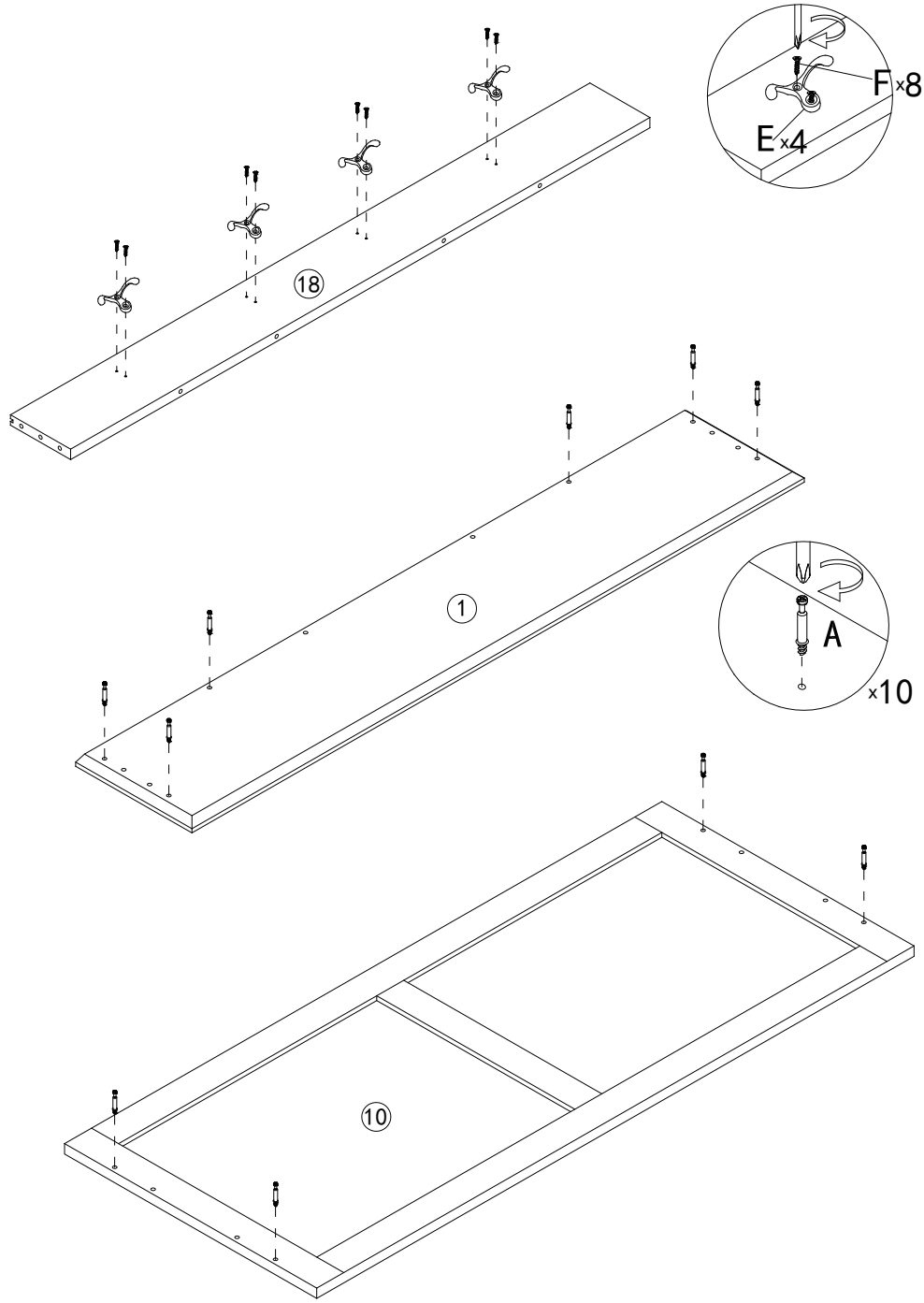
1

1



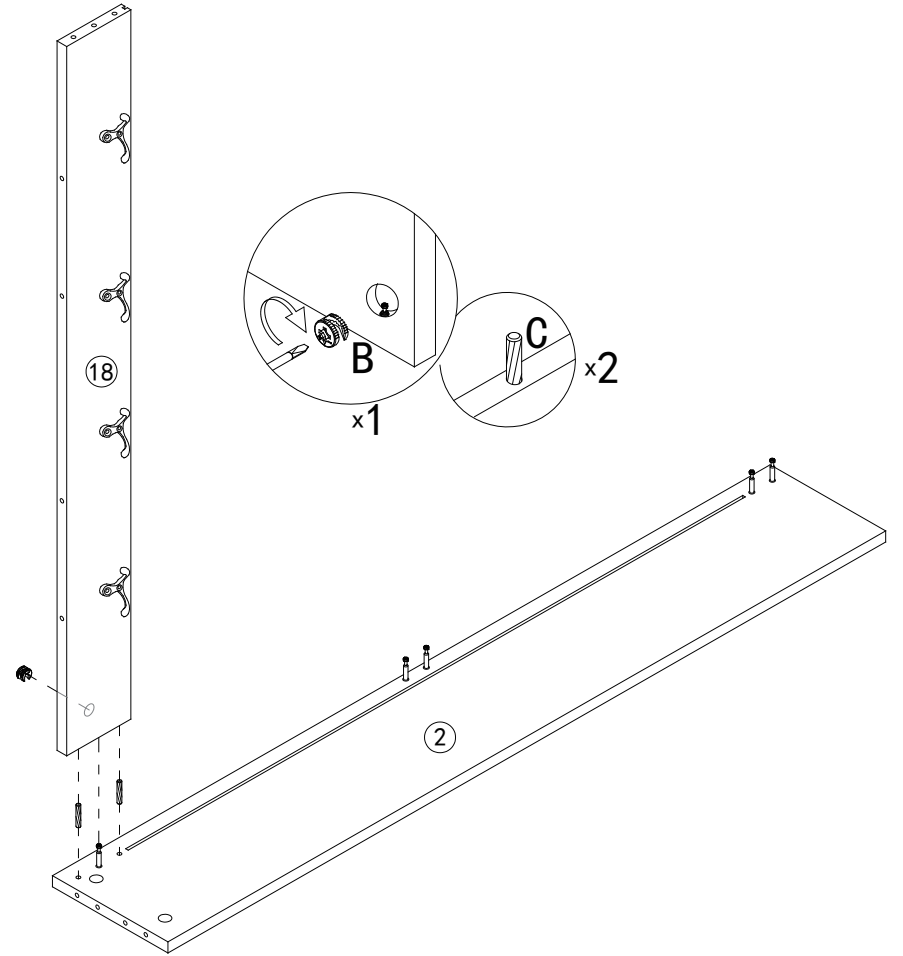
2

2



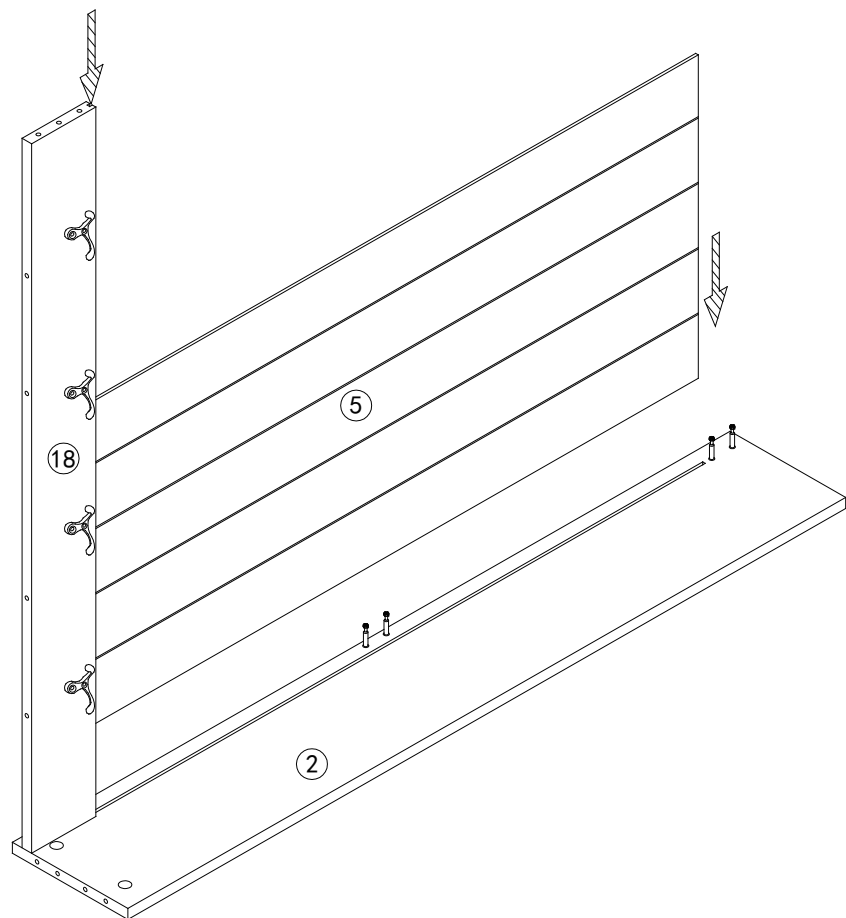
3

3



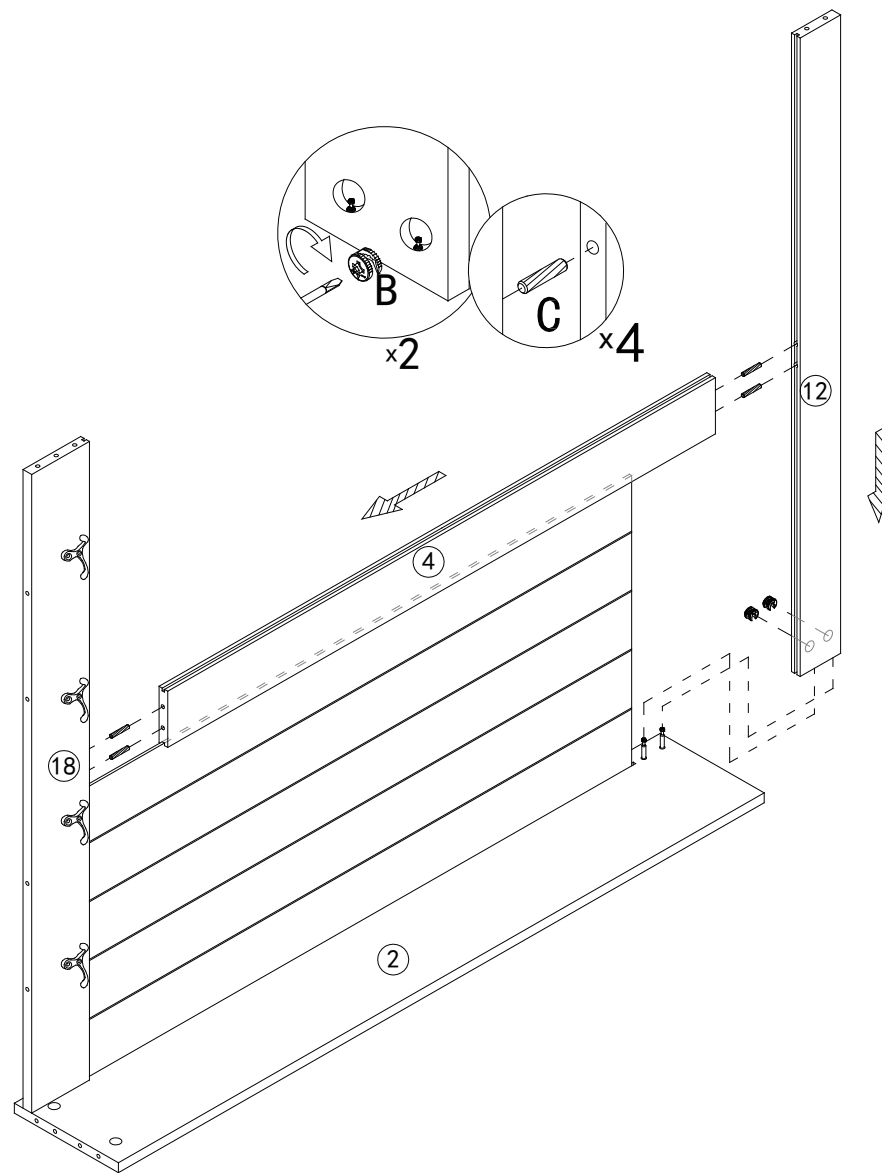
4

4



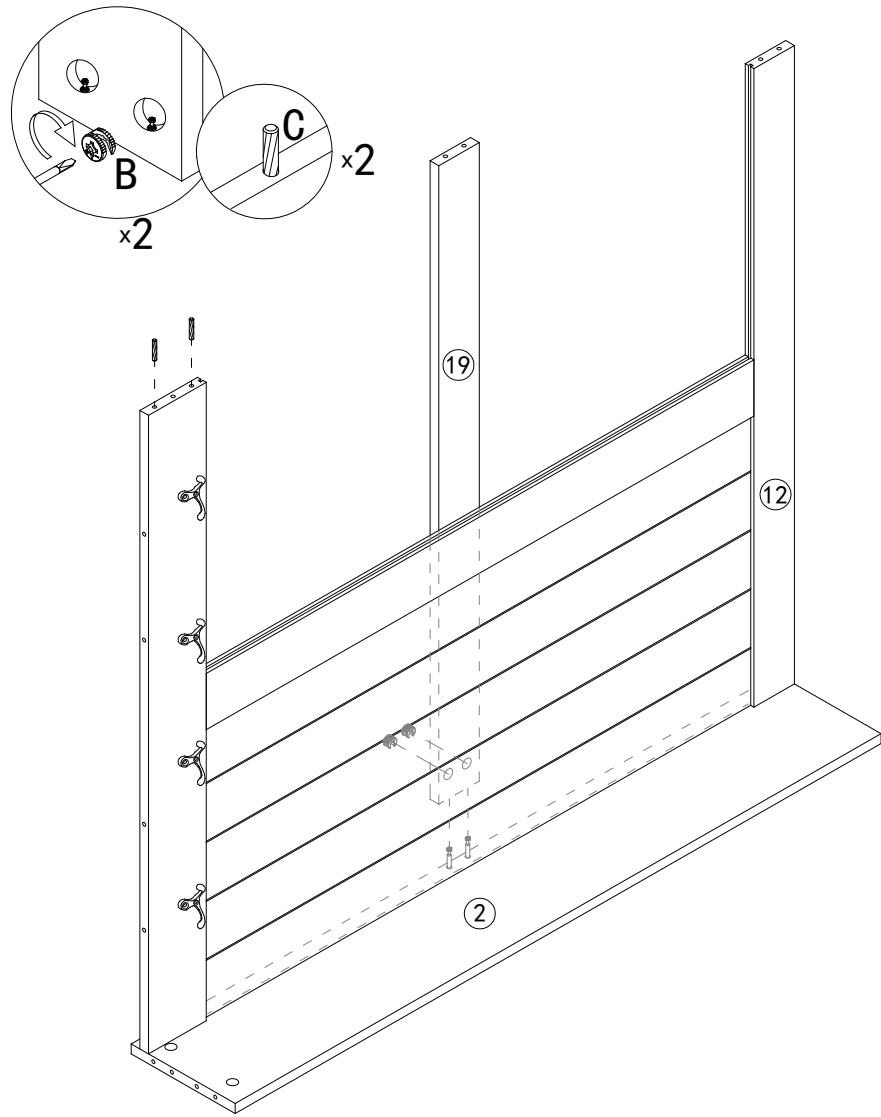
5

5



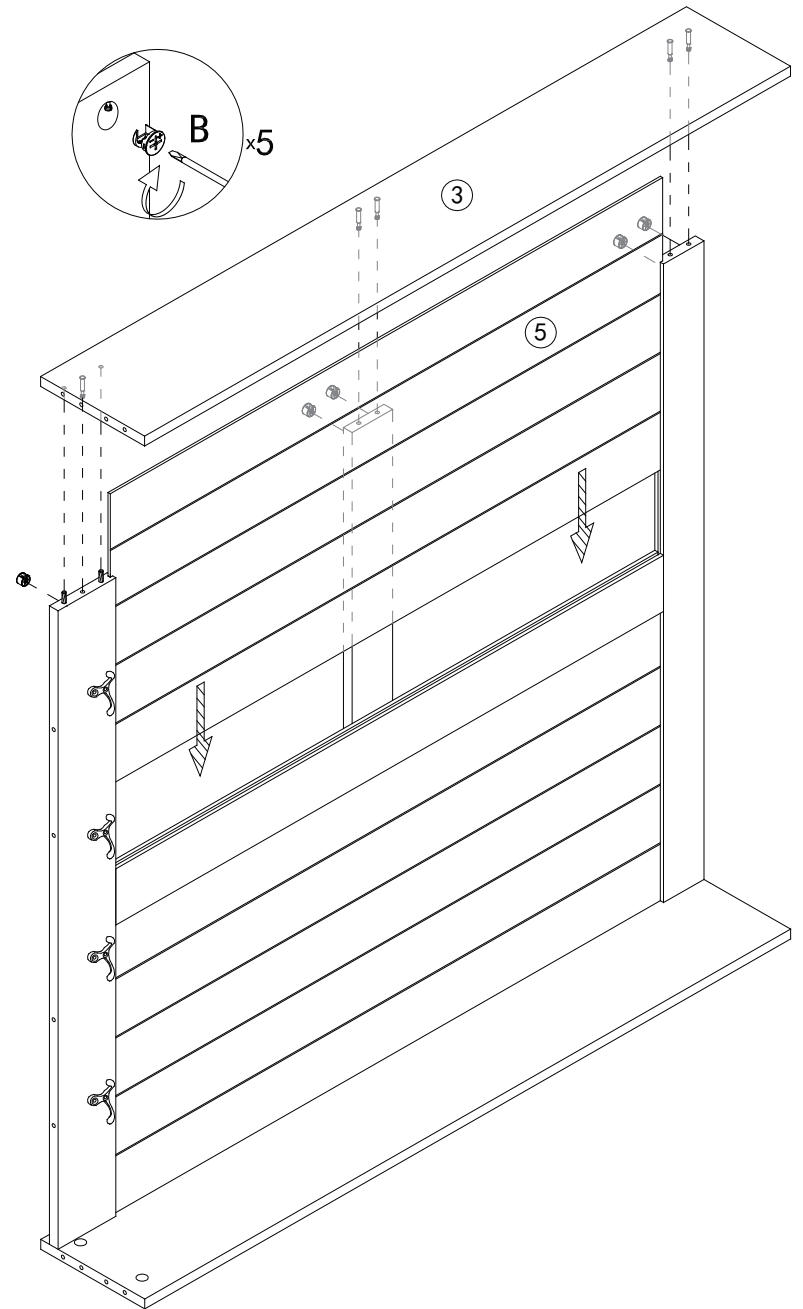
6

6



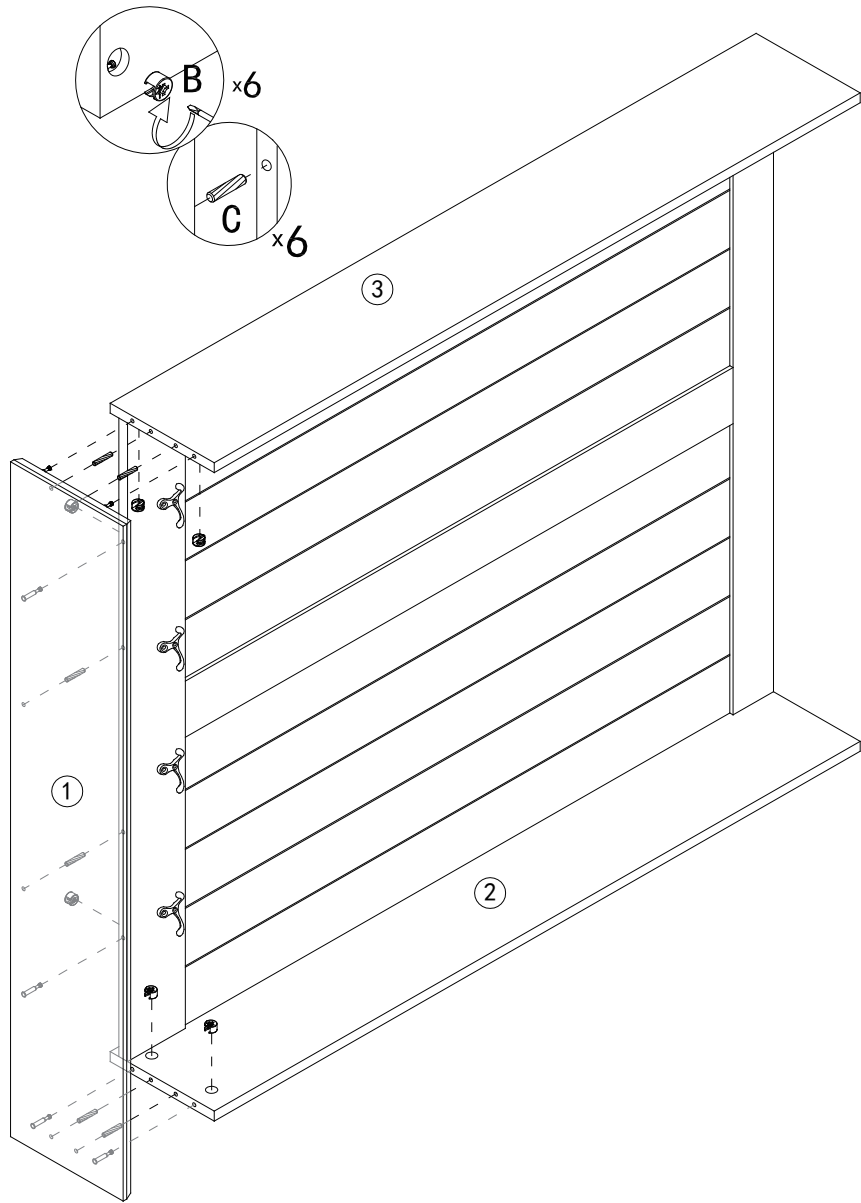
7

7



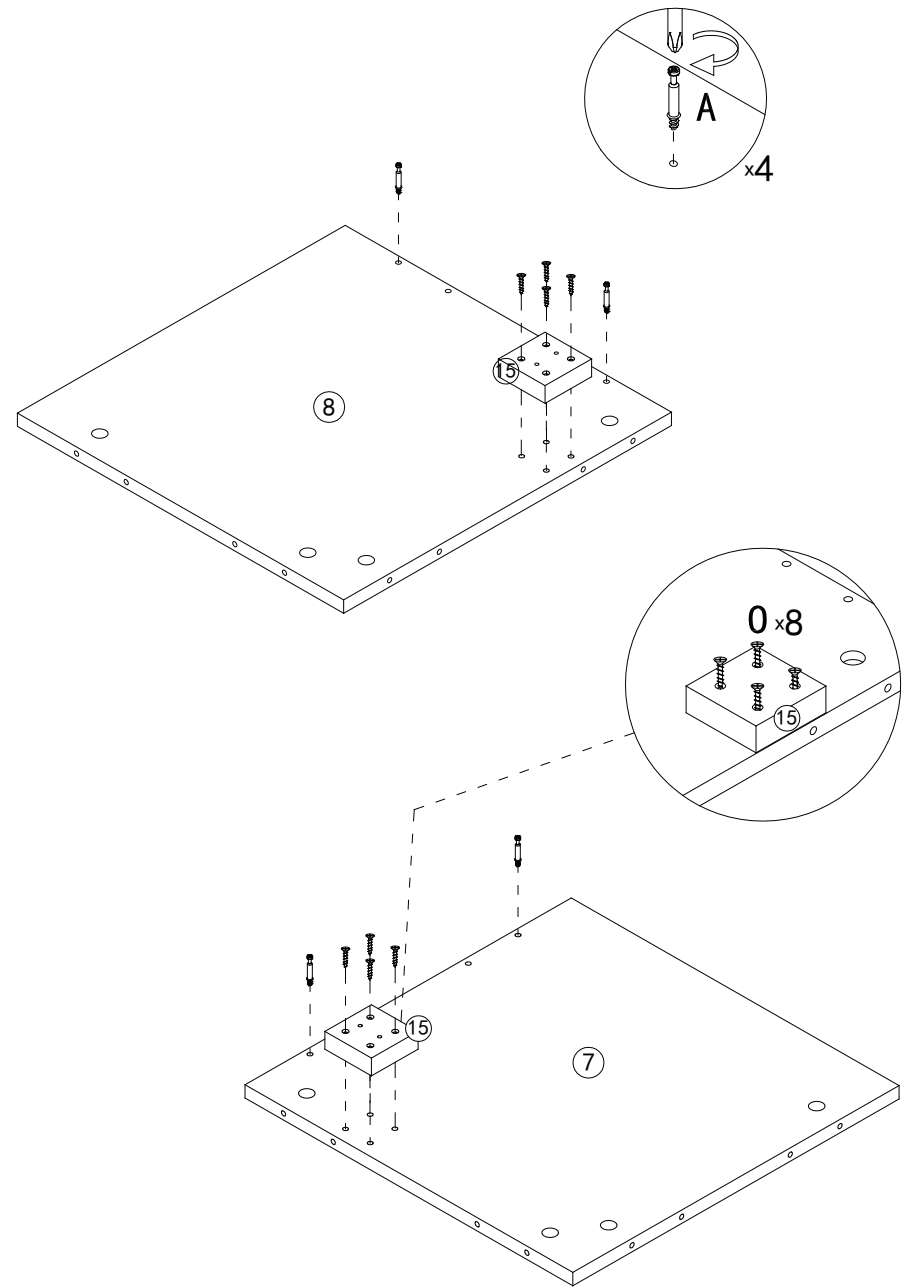
8

8



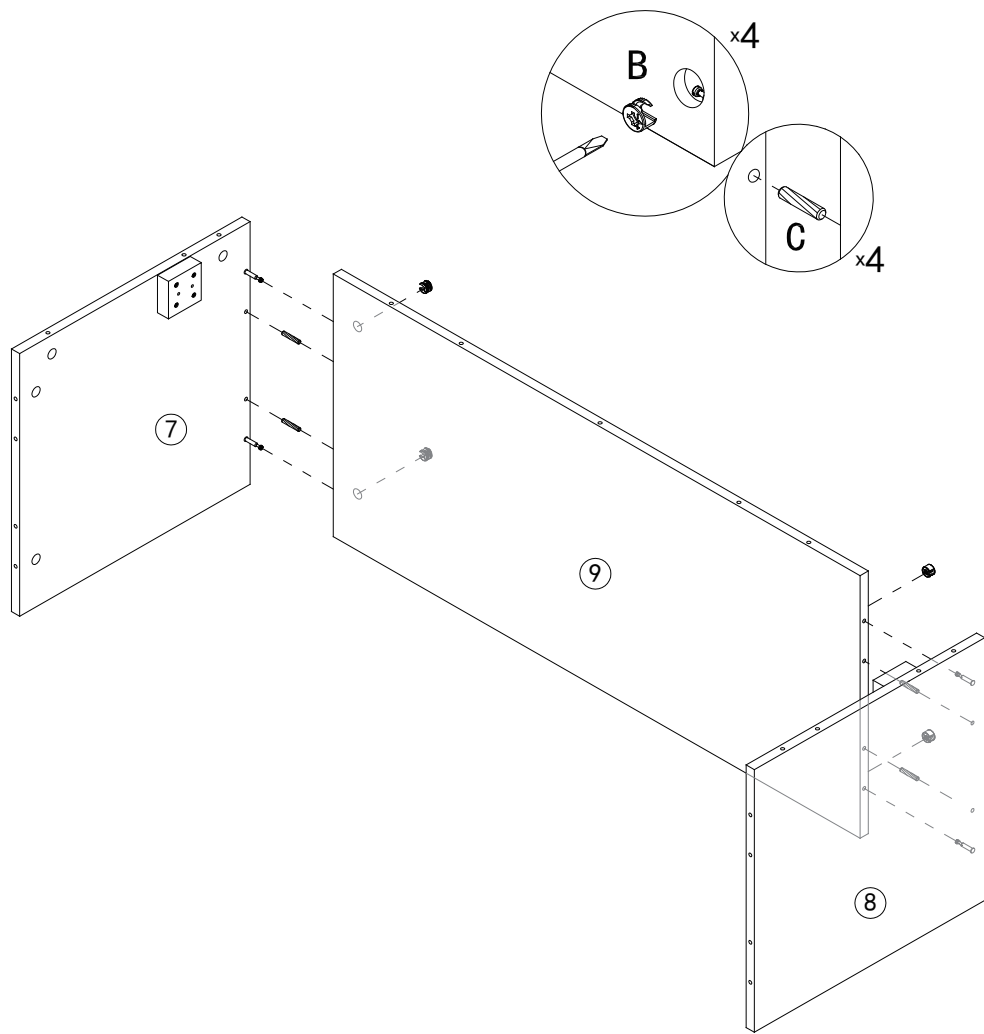
9

9



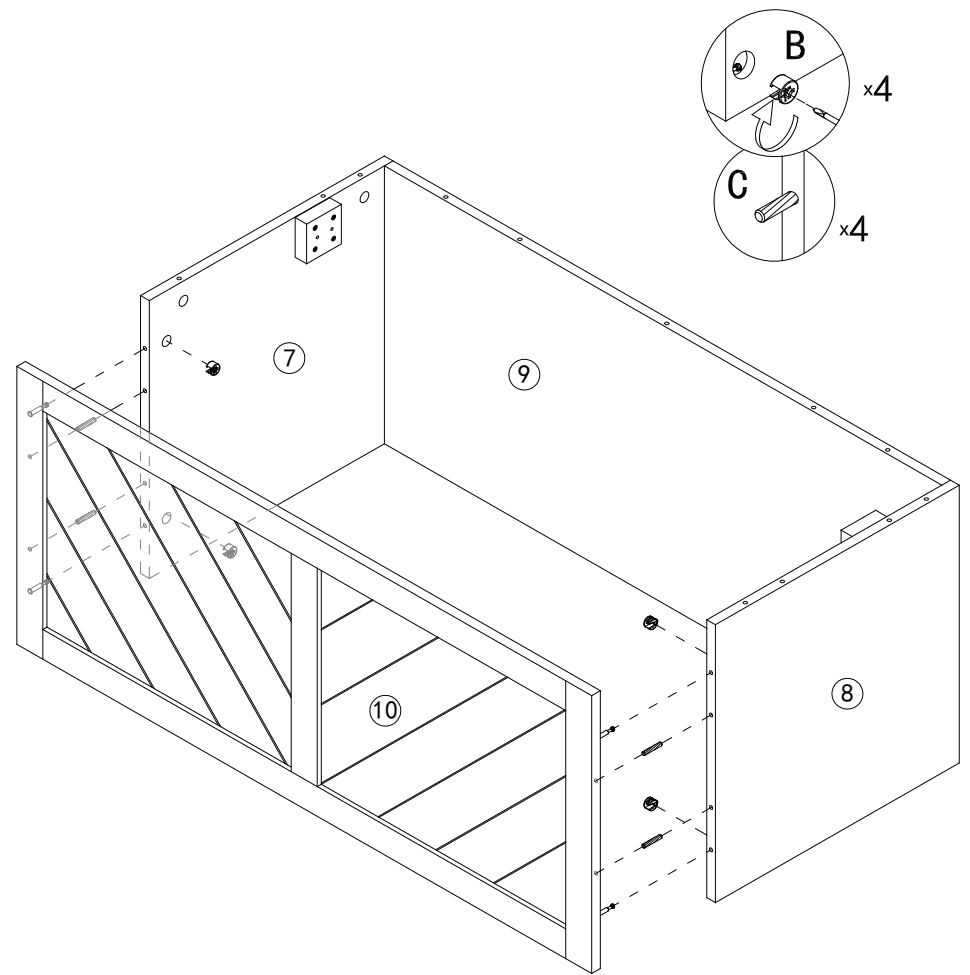
10

10



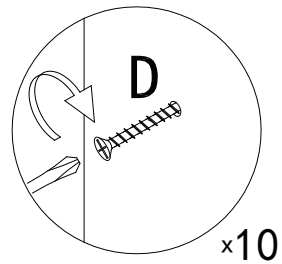
11

11

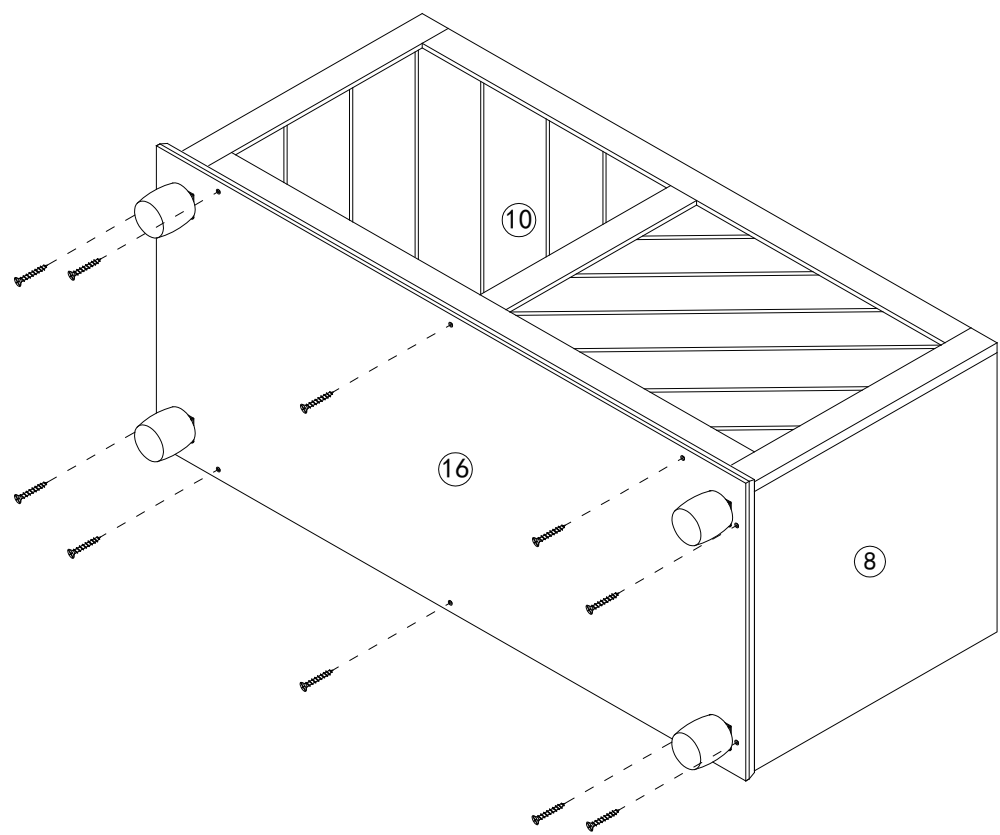


12

14

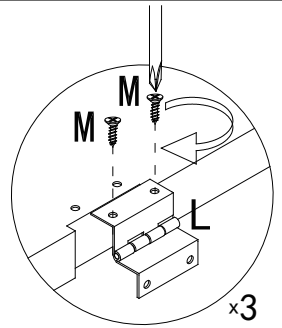


x10

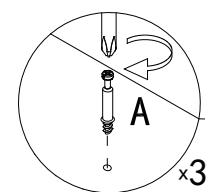


15

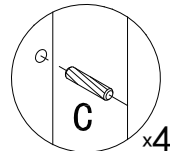
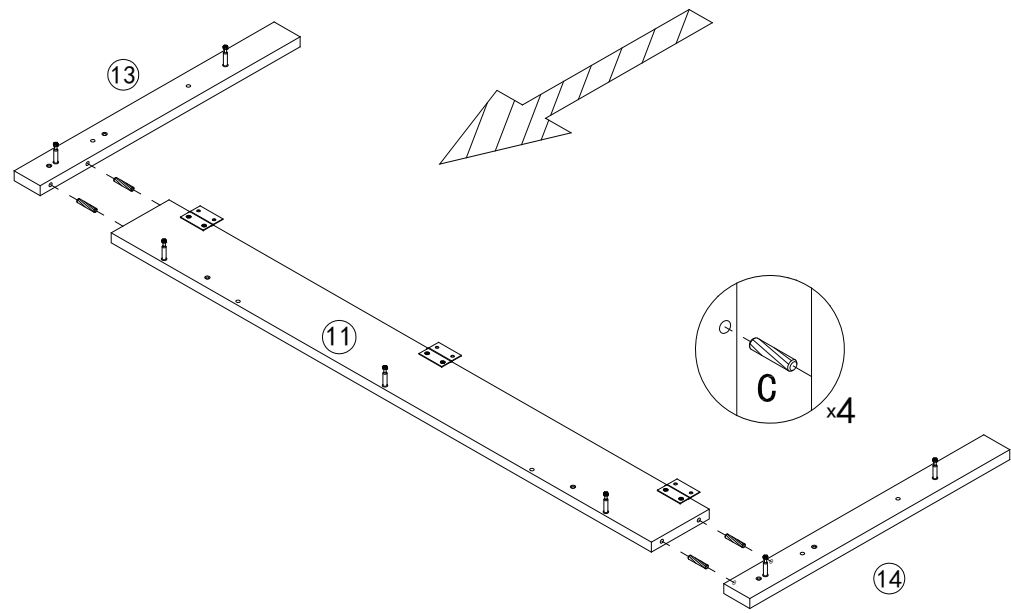
15



x3

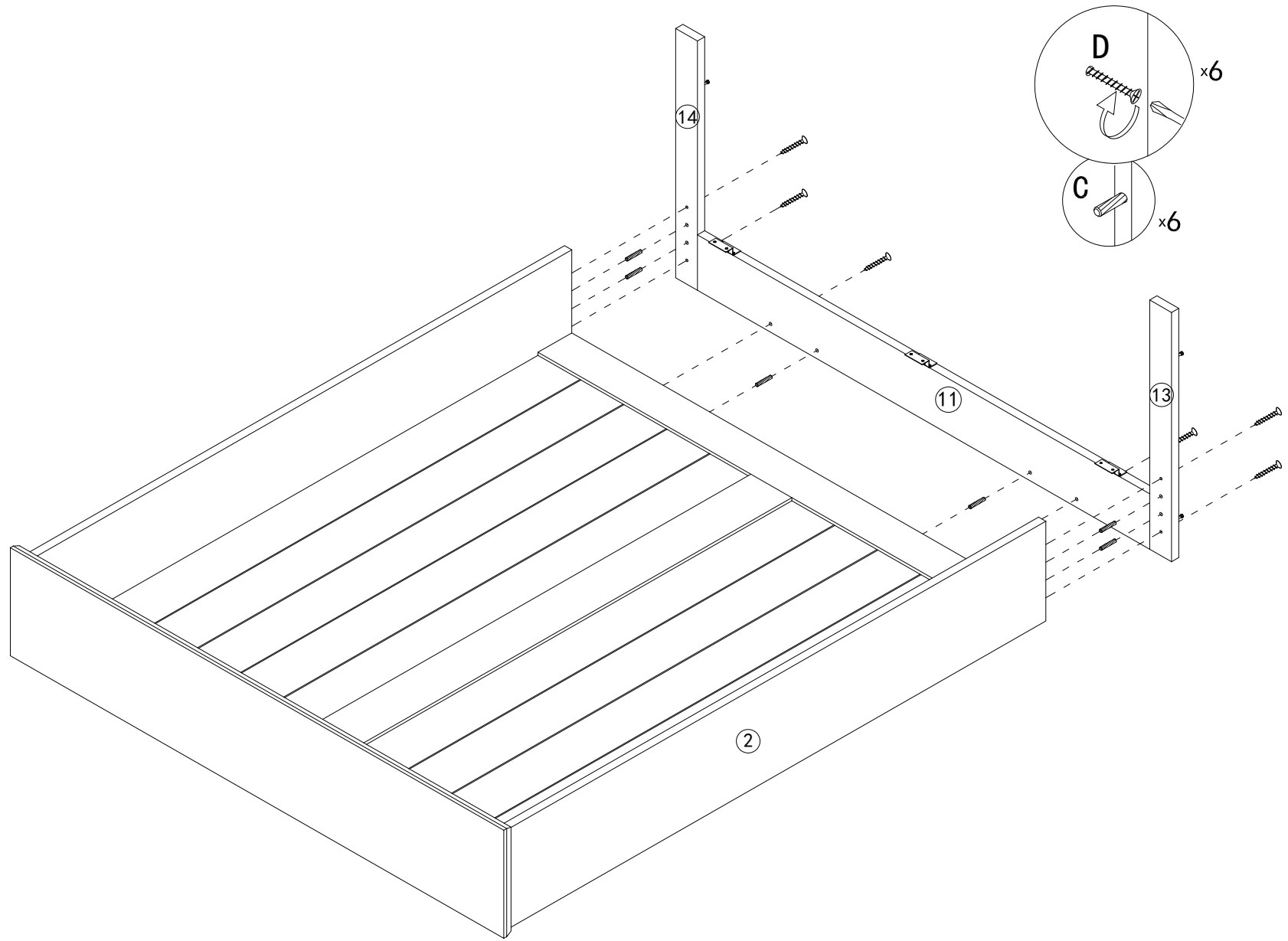


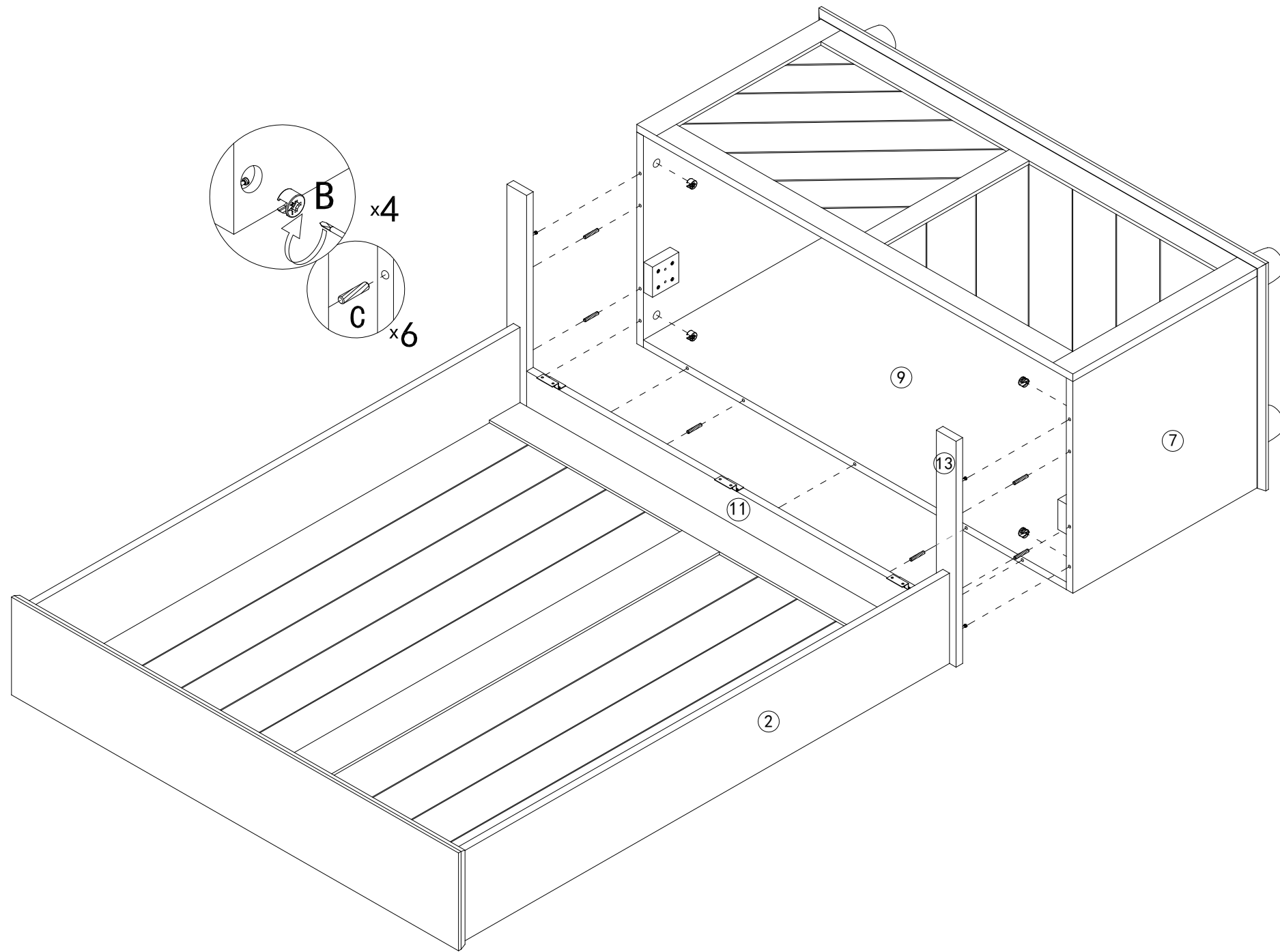
x3



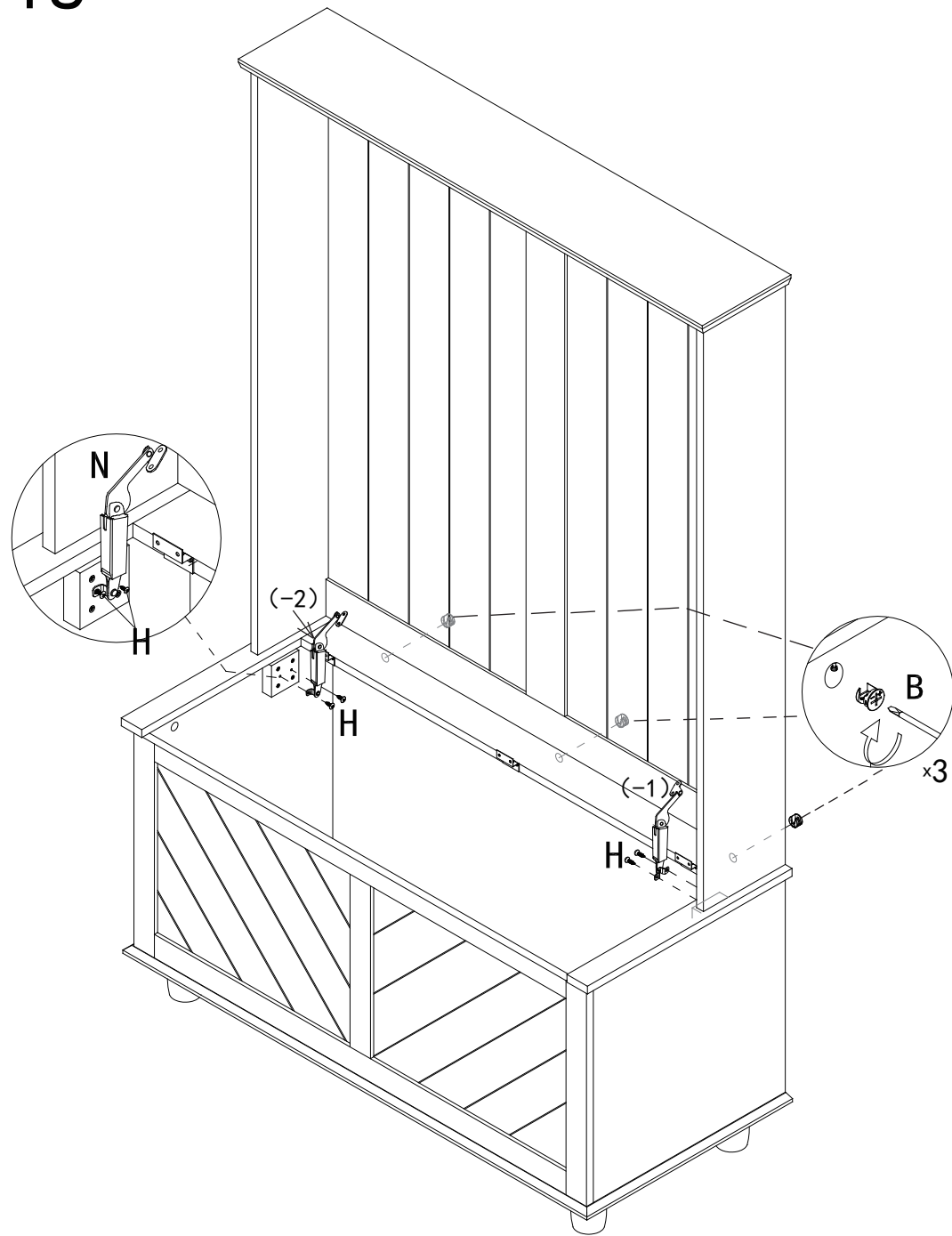
x4

16



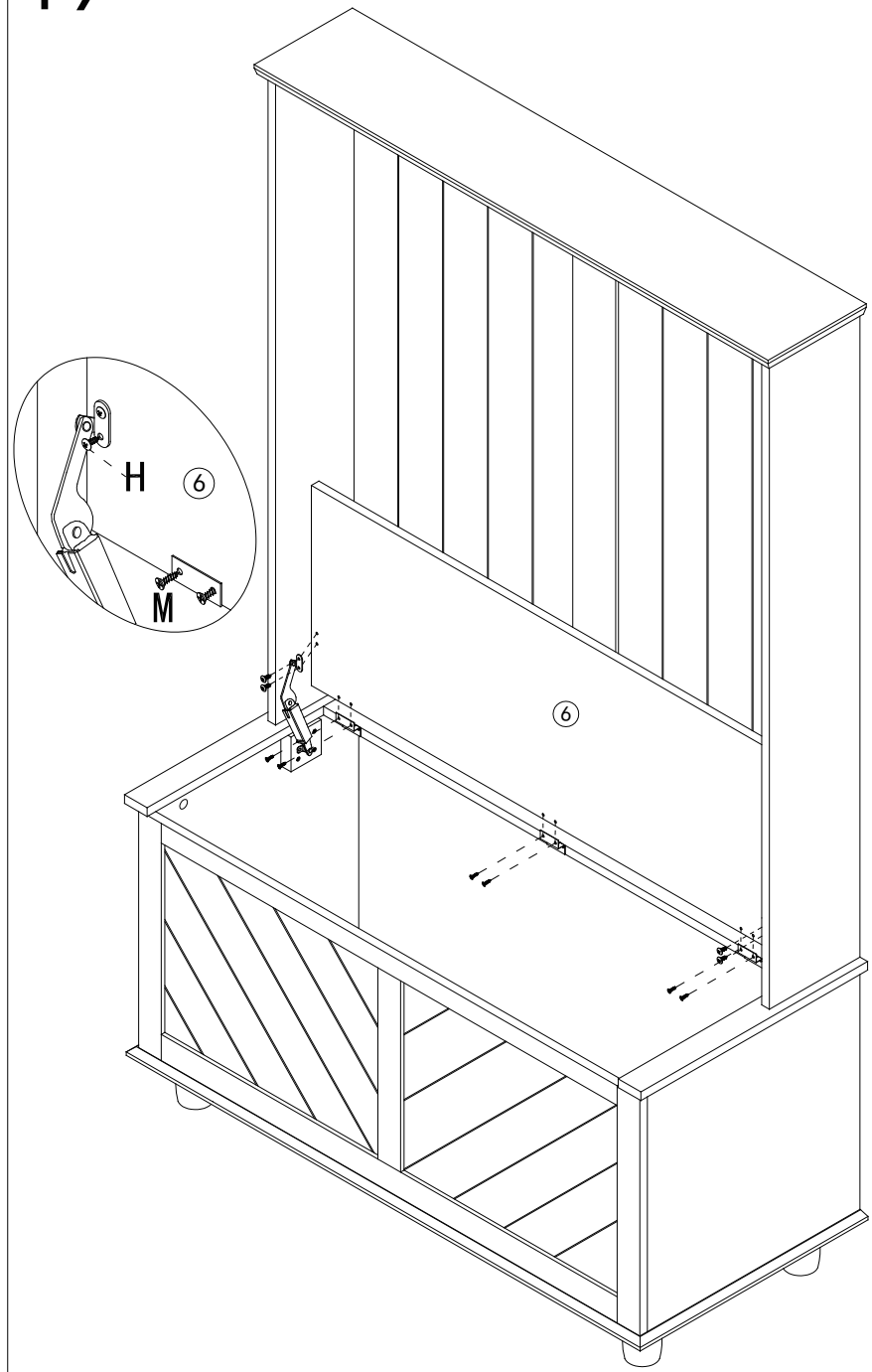


18



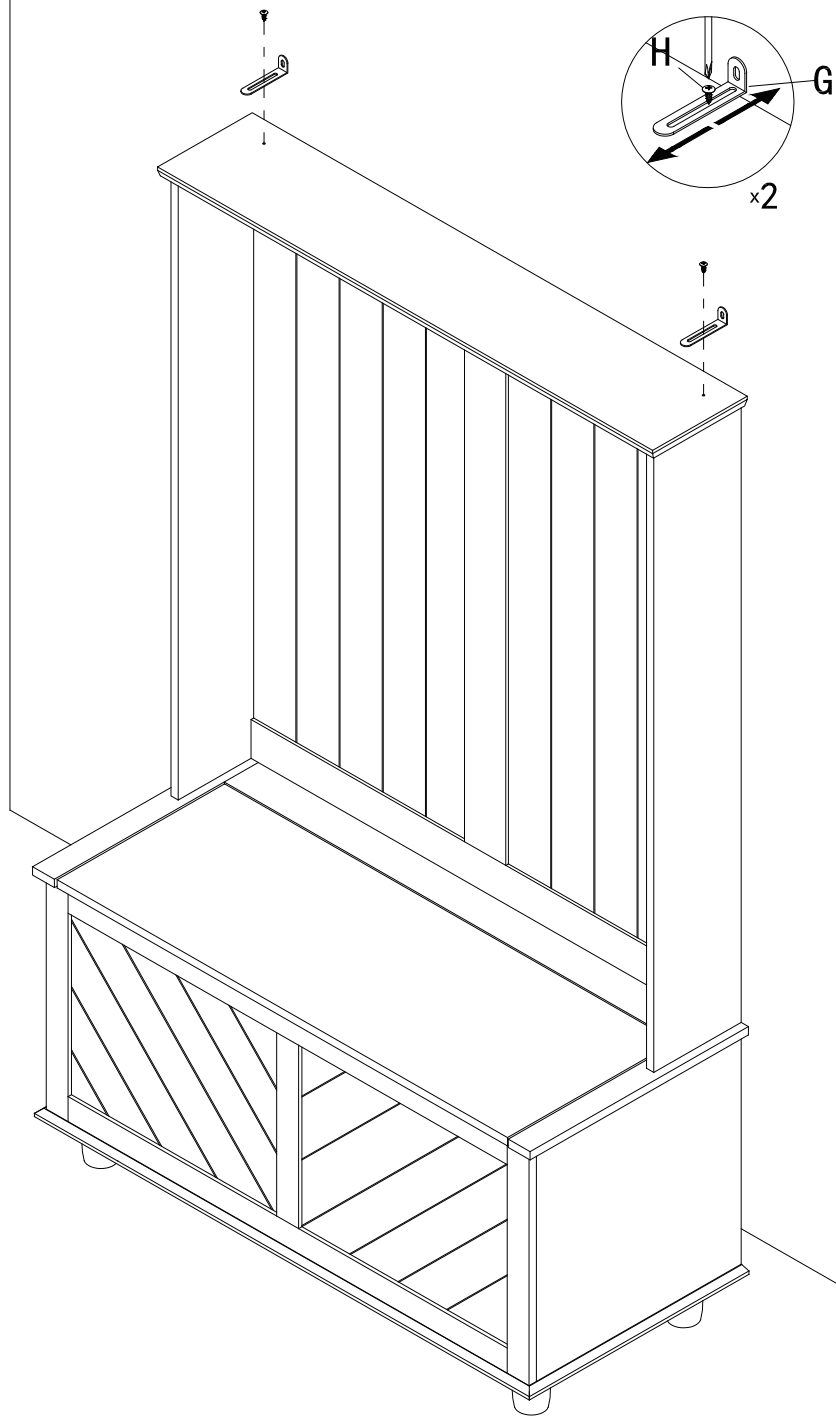
19

19



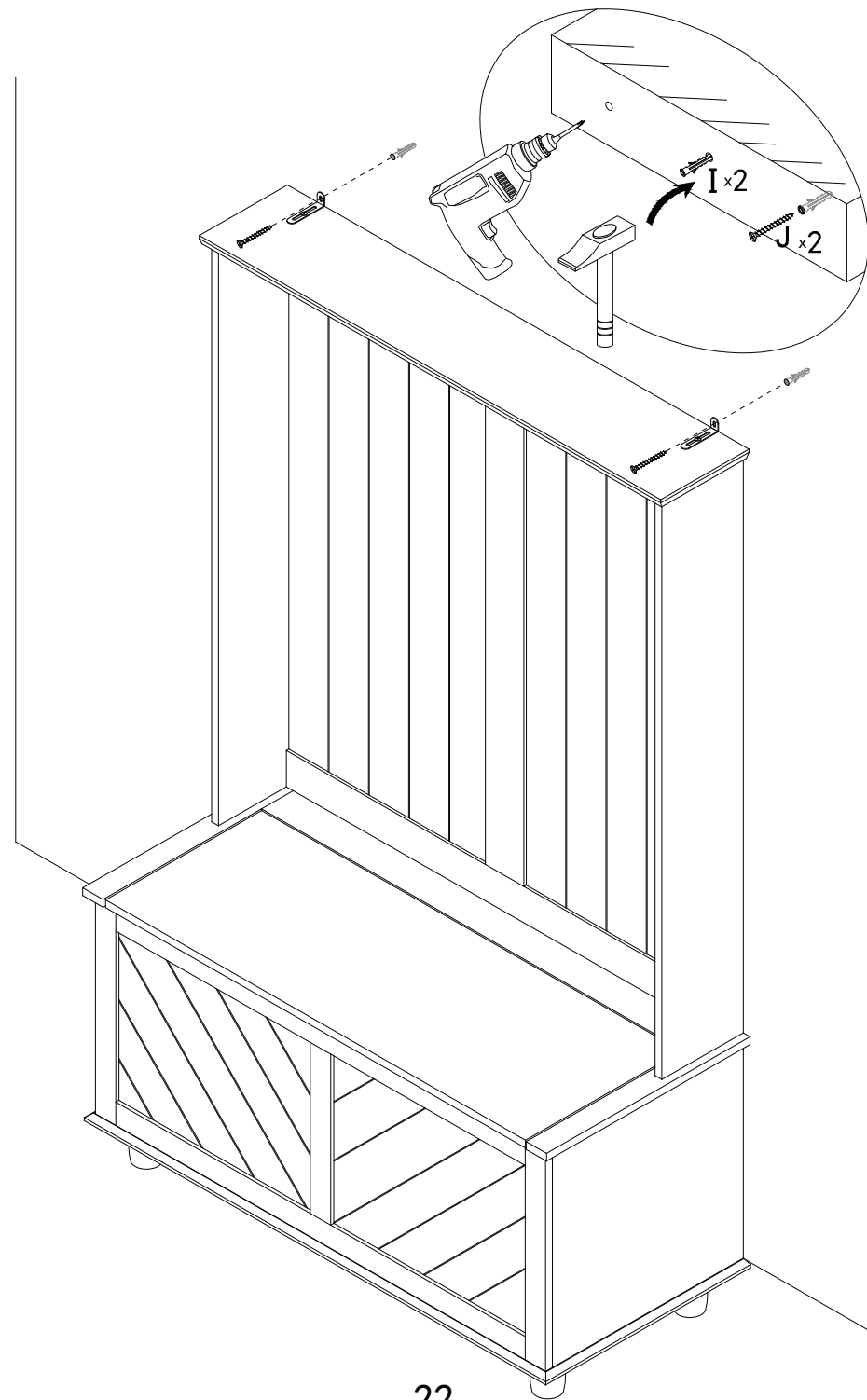
20

20



21

21



22