

Thank you for choosing a **Palace Imports** product.

Your complete satisfaction is our top priority.

Customer Service and Warranty Information

- **For Warranty Assistance:**

If you experience any issues or require additional information regarding your warranty, please do not contact the place of purchase. Instead, reach out directly to our Customer Service Team at info@palaceimportsinc.com or visit our website at www.palaceimportsinc.com for prompt support.

- **Warranty Coverage:**

PALACE IMPORTS warrants its products to the original purchaser against defects in materials or workmanship. A defect is defined as any flaw that impairs the normal use of the product. This warranty is limited to the replacement of defective parts or components and is valid for one (1) year from the date of purchase.

- **Warranty Limitations:**

This warranty covers products used under normal household conditions. It does not apply to furniture used outdoors or damage resulting from improper assembly or disassembly, product modification, intentional damage, accidents, misuse, exposure to elements, or any labor or assembly costs.

- **Additional Terms:**

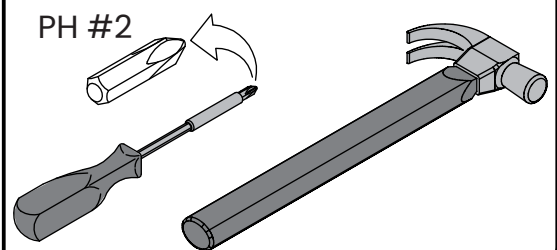
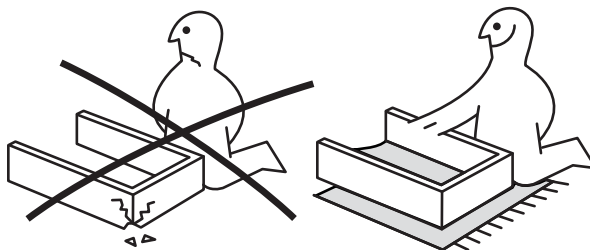
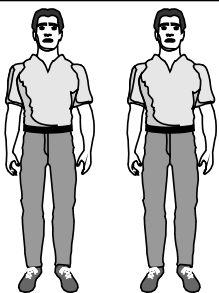
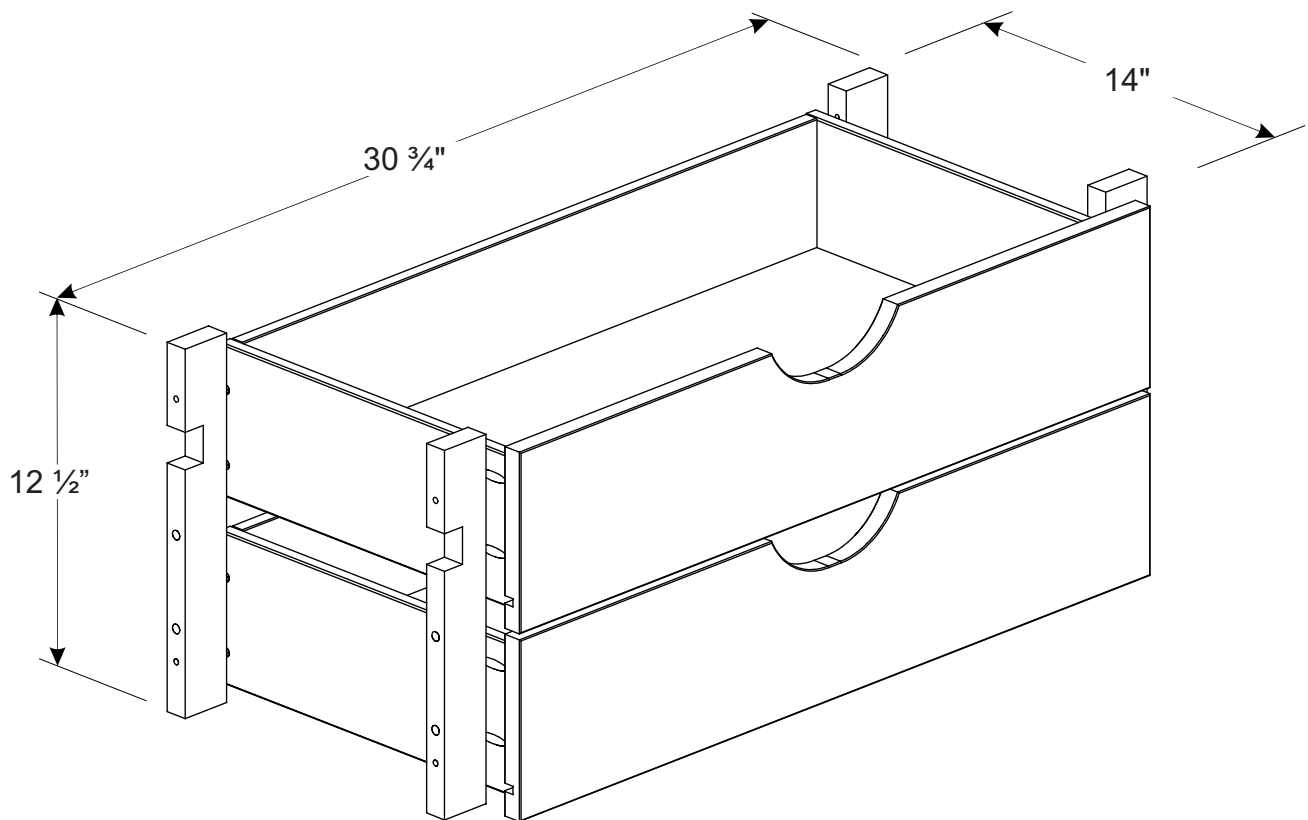
PALACE IMPORTS reserves the right to require proof of purchase to process any warranty claim. We are not liable for any incidental or consequential damages arising from the misuse of our products.



ASSEMBLY GUIDE

2-DRAWER KIT

- SKU 9301 - White
- SKU 9303 - Mocha
- SKU 9305 - Gray
- SKU 9307 - Black
- SKU 9308 - Teal
- SKU 930-10 - Yellow
- SKU 930-11 - Aqua
- SKU 930-12 - Green
- SKU 930-13 - Sage
- SKU 930-14 - Beige
- SKU 930-15 - Navy Blue
- SKU 930-16 - Antique Blue



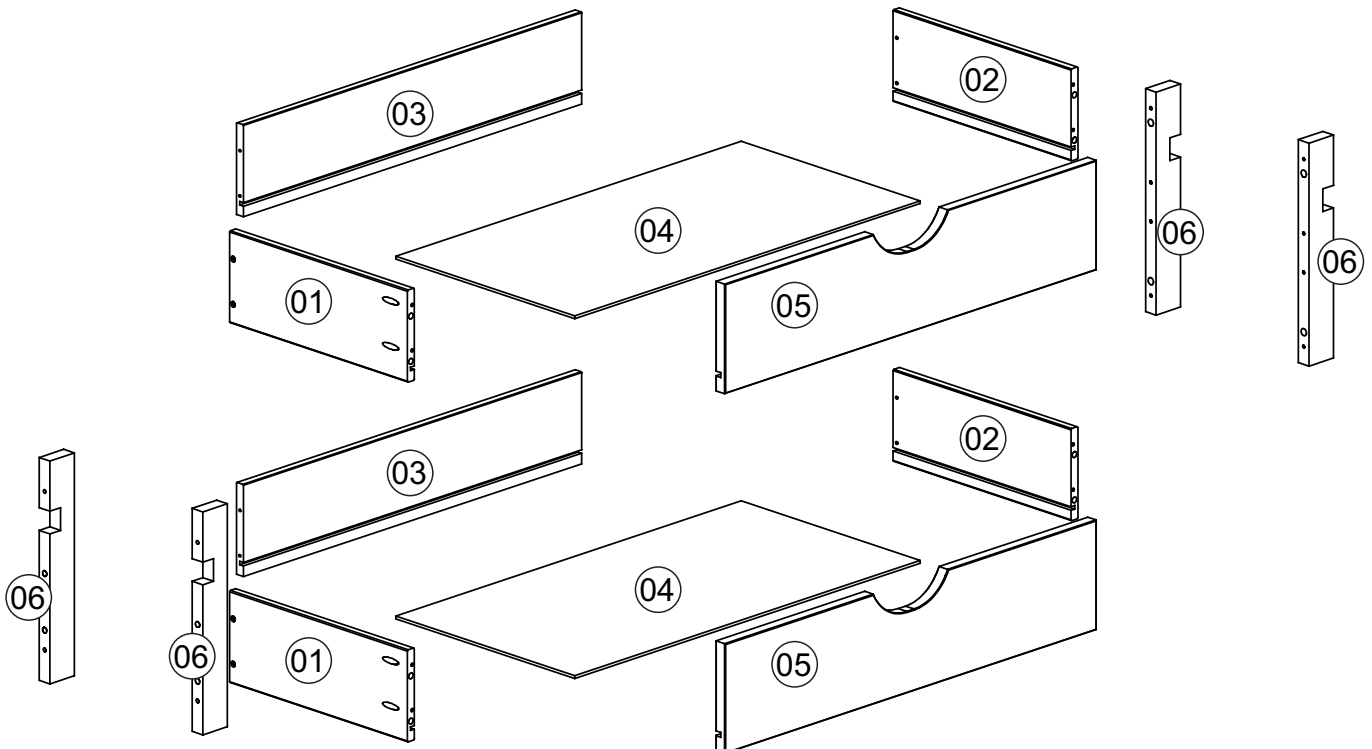
Before You Begin Assembly

- Carefully inspect the package contents. A complete parts checklist is provided below.
- If any parts are missing or damaged, please contact us at info@palaceimportsinc.com for assistance.


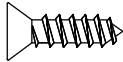



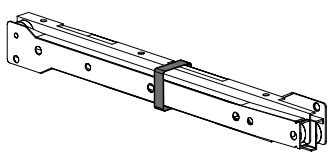
Assembly Tips


- Assemble the item on a flat, smooth surface. We recommend placing a blanket or protective covering underneath to prevent scratches.
- Use a power drill **only at a low-speed setting** to avoid damaging components.
- Assemble the product as close as possible to its final location to minimize the need for moving it later.
- Important: The hardware pack contains small parts that may pose a choking hazard.
Keep all small items out of reach of young children.

PARTS LAYOUT



Screws Are Illustrated at Actual Size for Accurate Reference

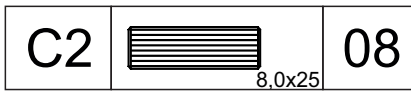
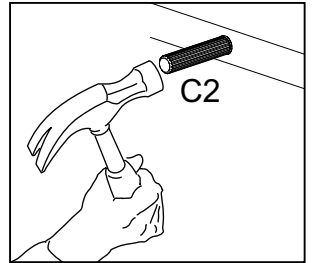
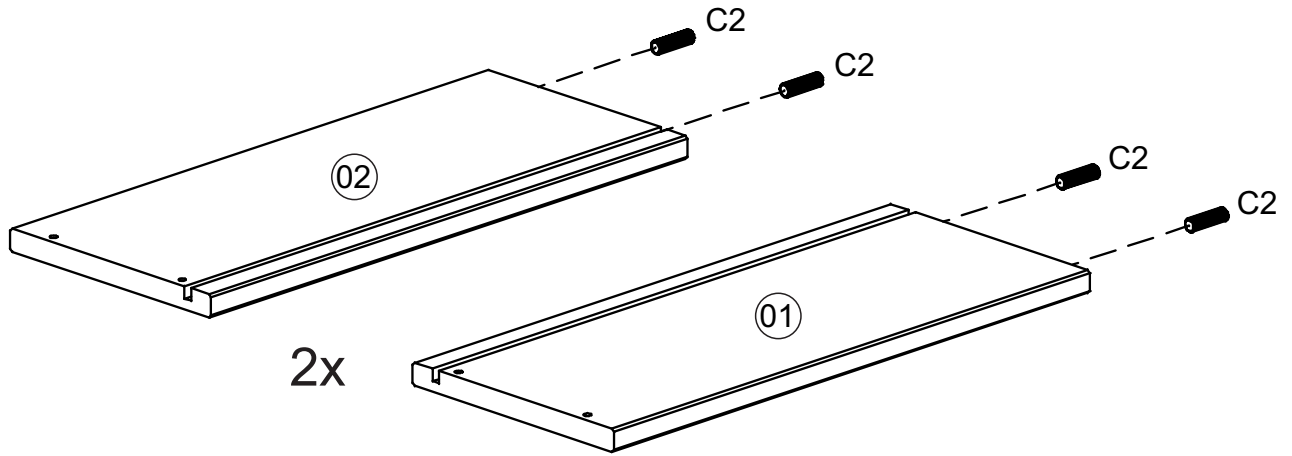
A1	 4,0x30	24+2
A42	 4,0x14	08+1
B31	 6,0x10	08+1
C2	 8,0x25	08+1
D4		08+1
E1	 330mm - 13"	02
E2		02



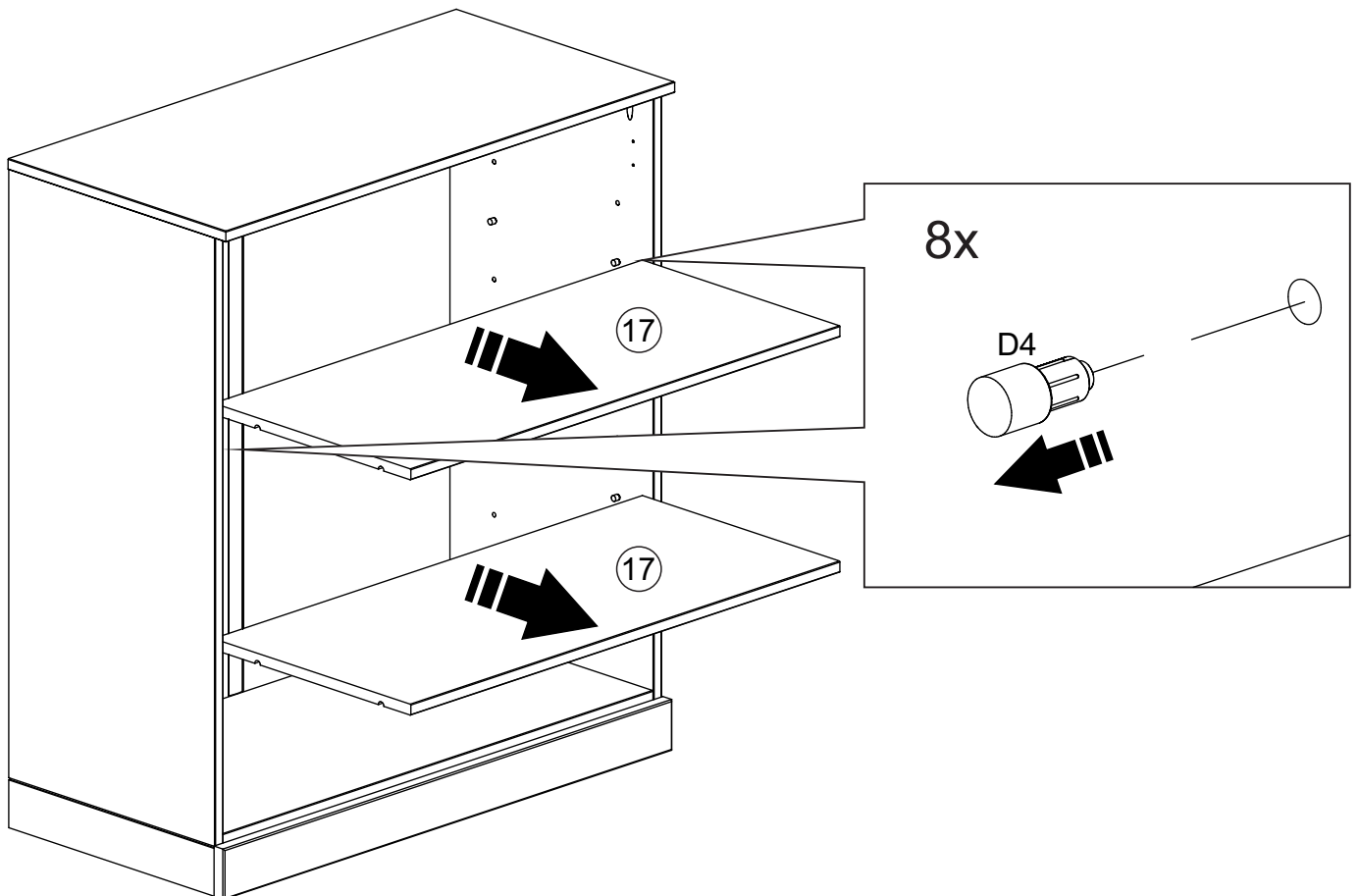
**WARNING:
CHOKING HAZARD**

Contains small parts - choking hazard.
Adult supervision is required during assembly.
Not suitable for children under 3 years of age.

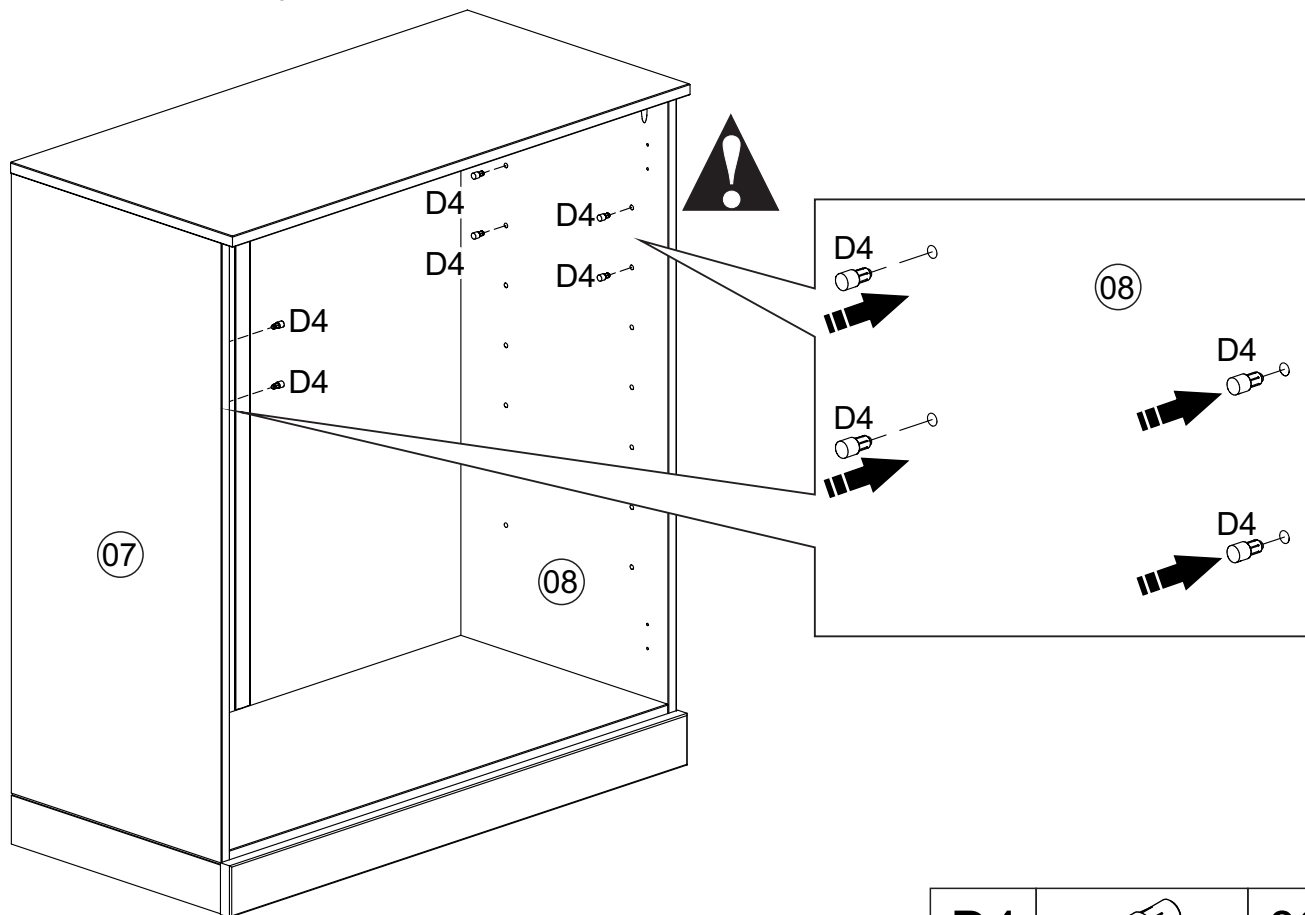
01)



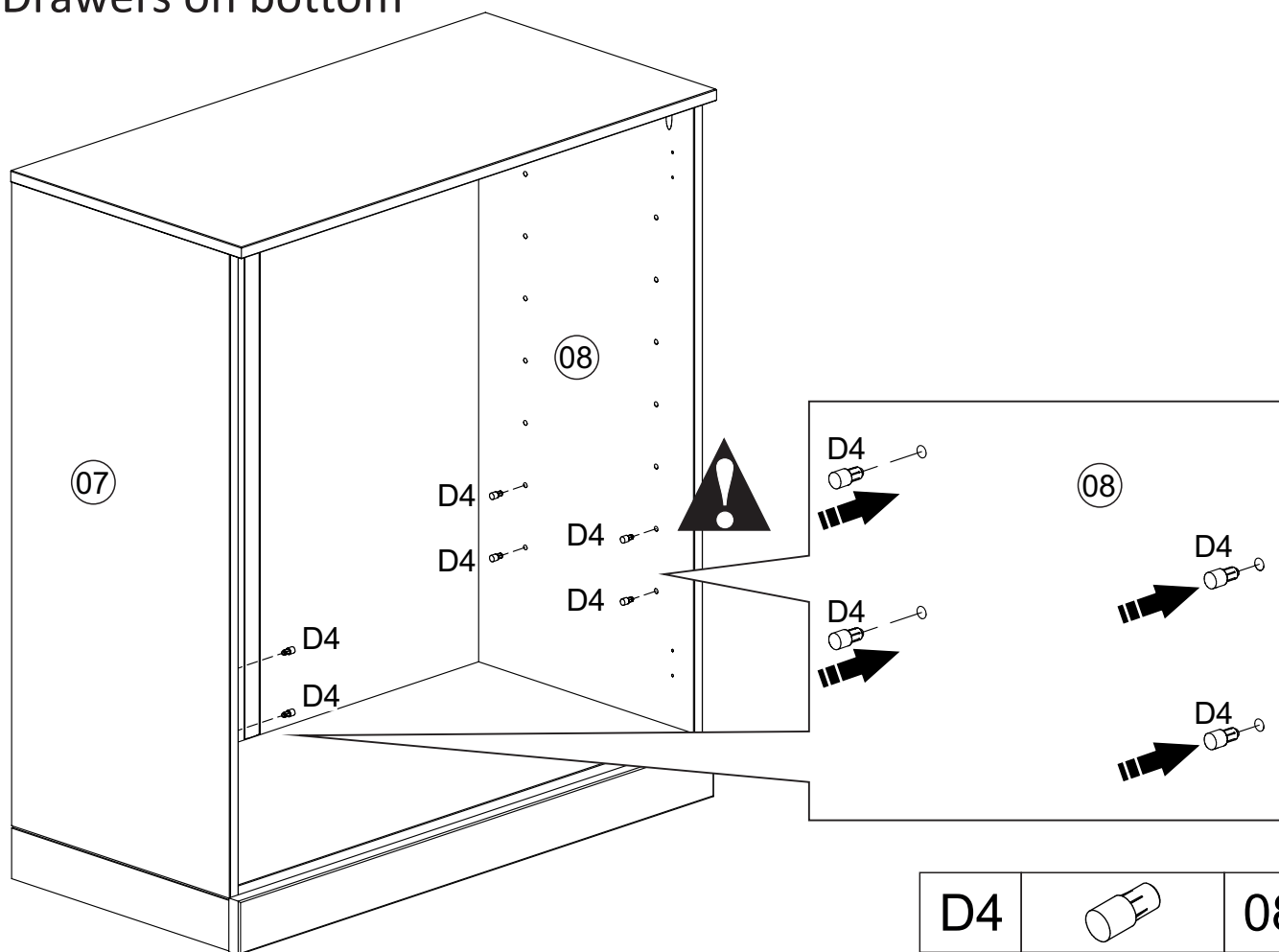
02)



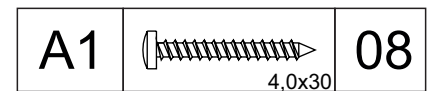
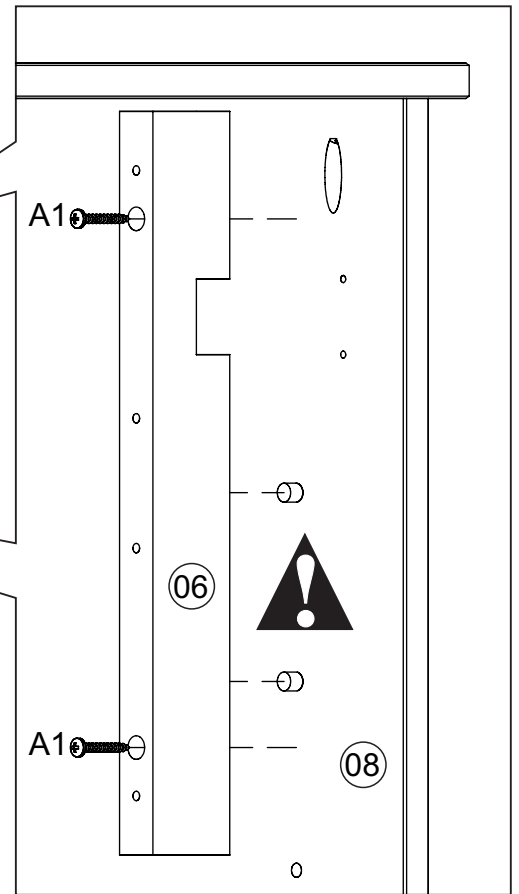
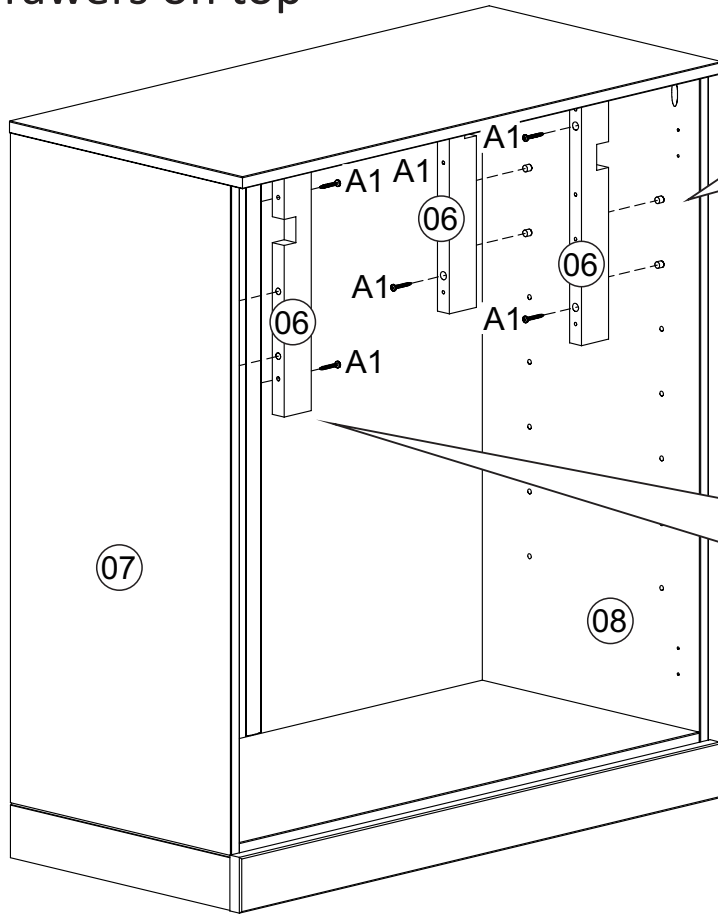
03) Drawers on top



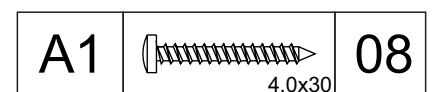
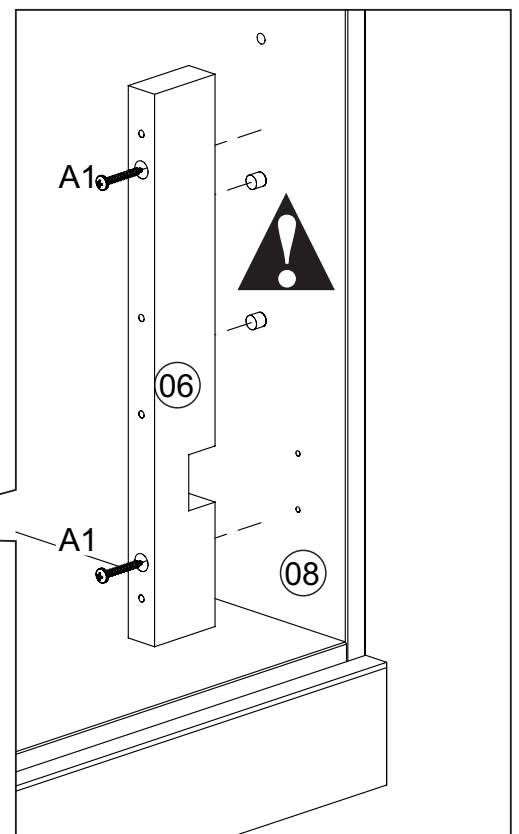
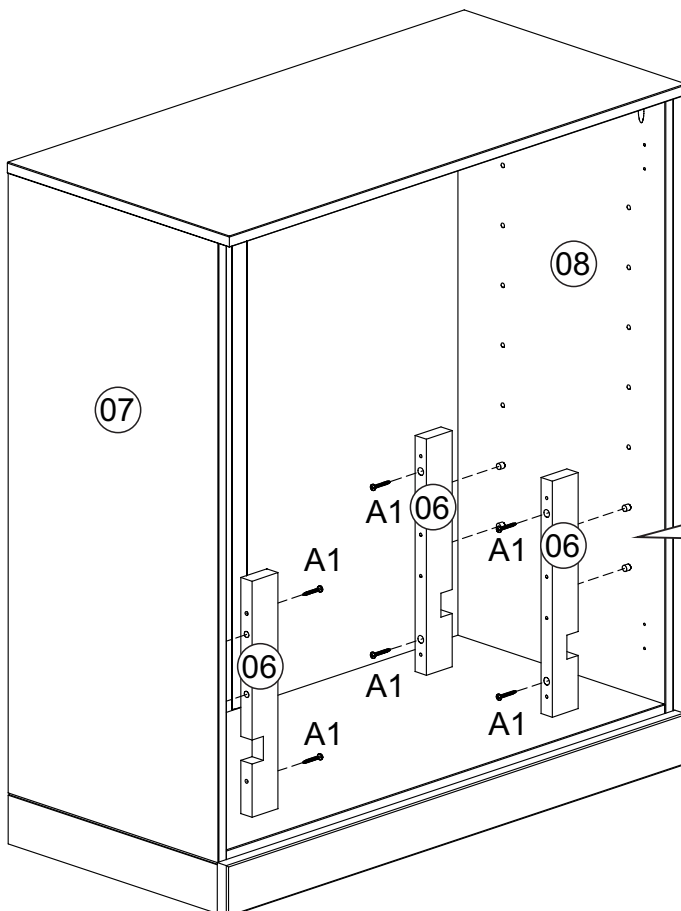
03) Drawers on bottom



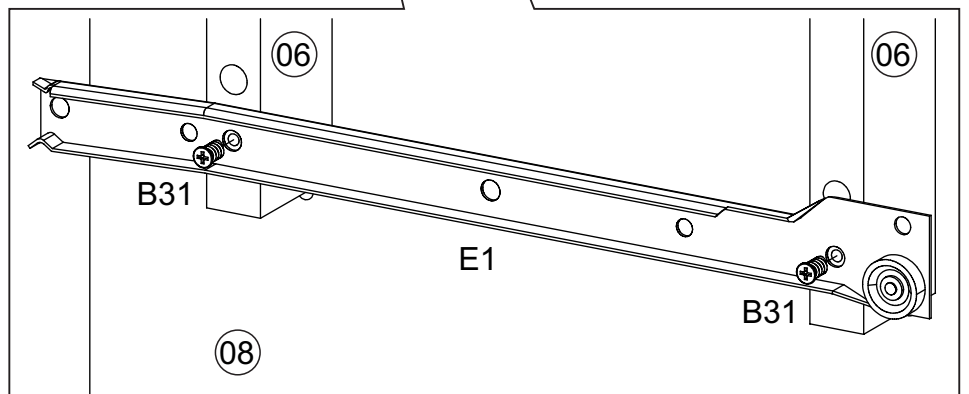
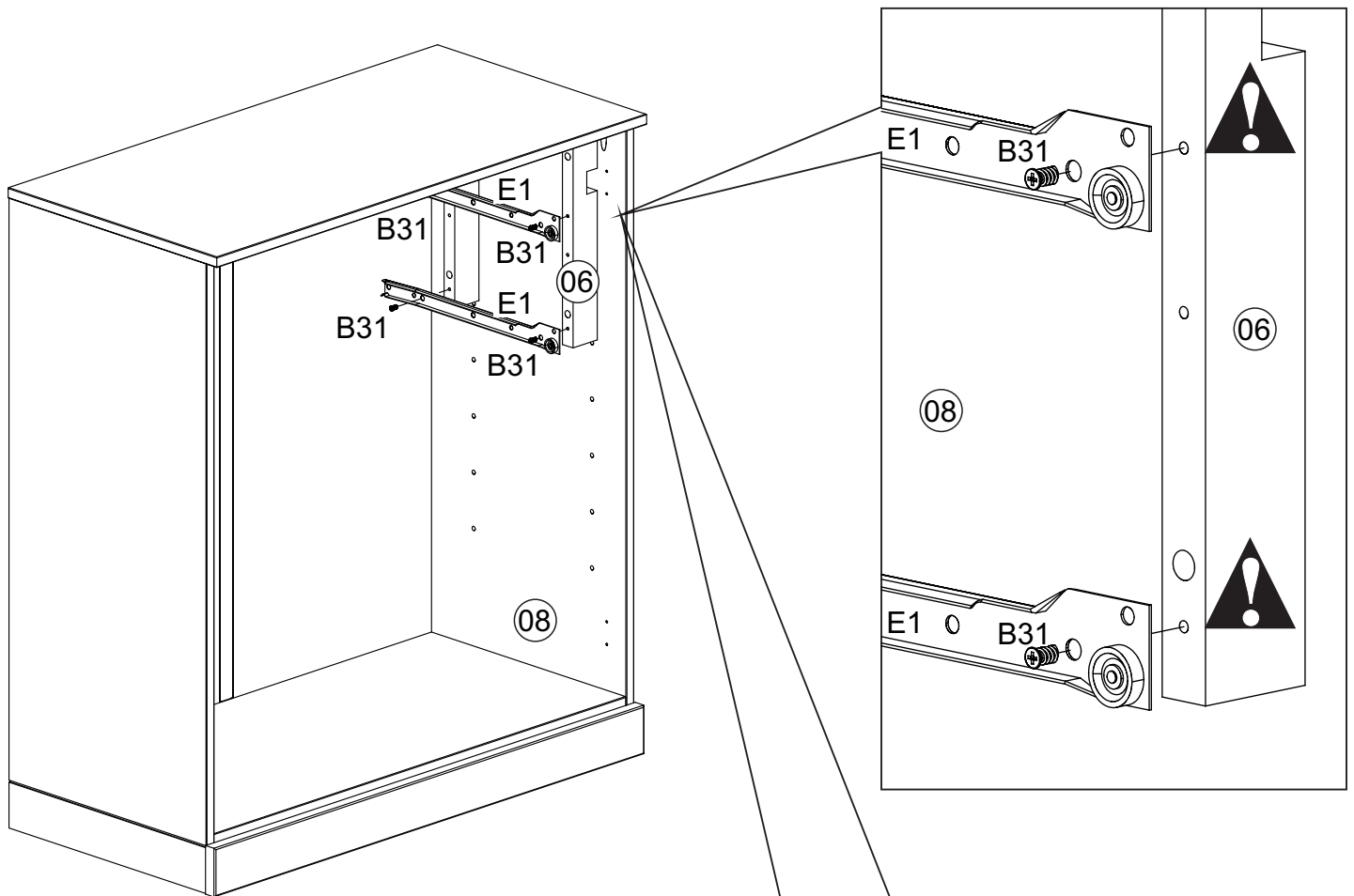
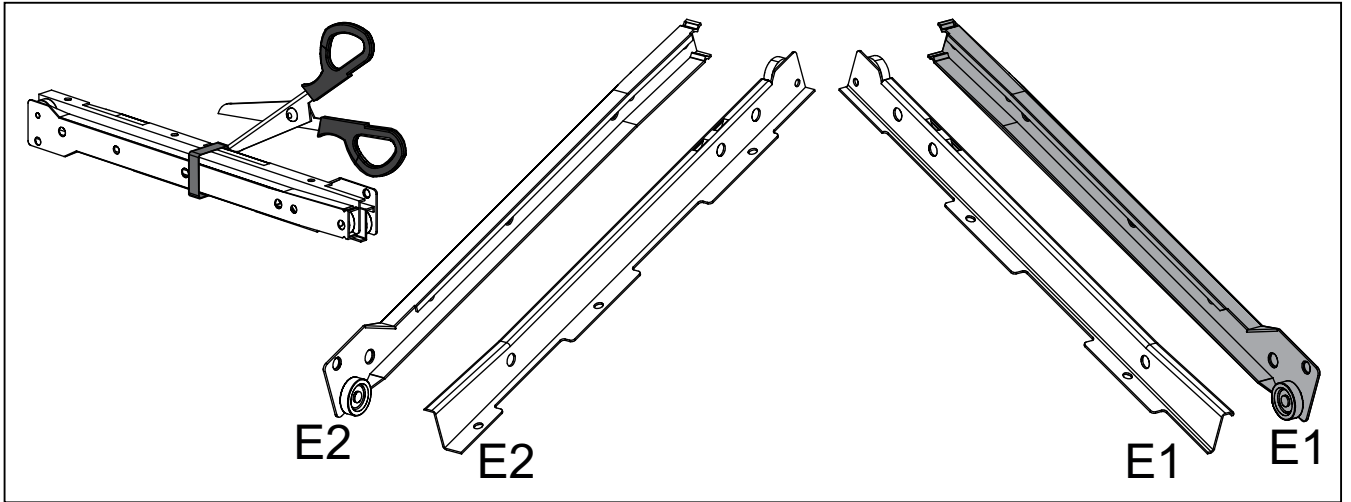
04) Drawers on top


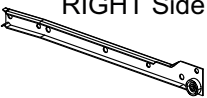


04) Drawers on bottom

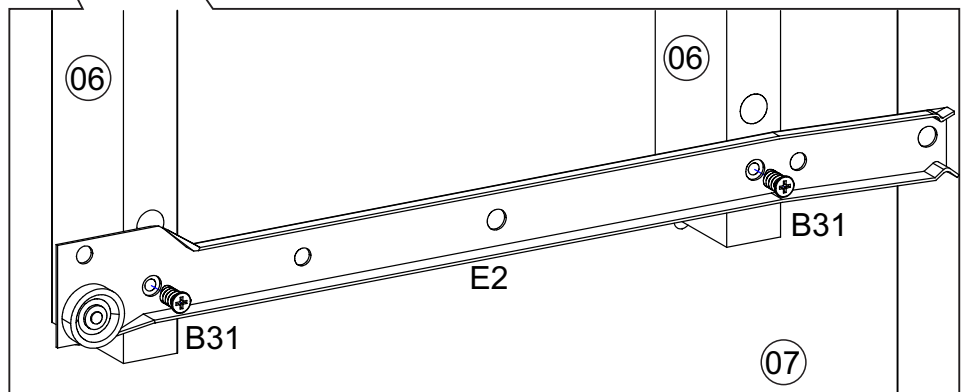
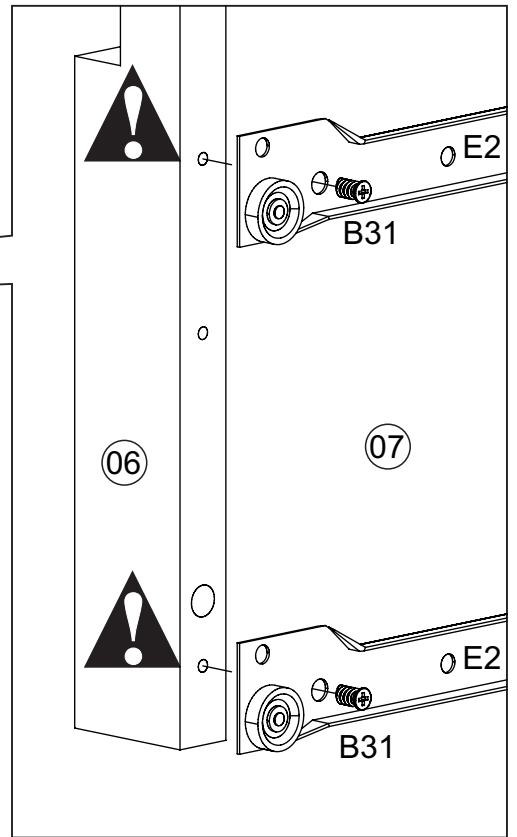
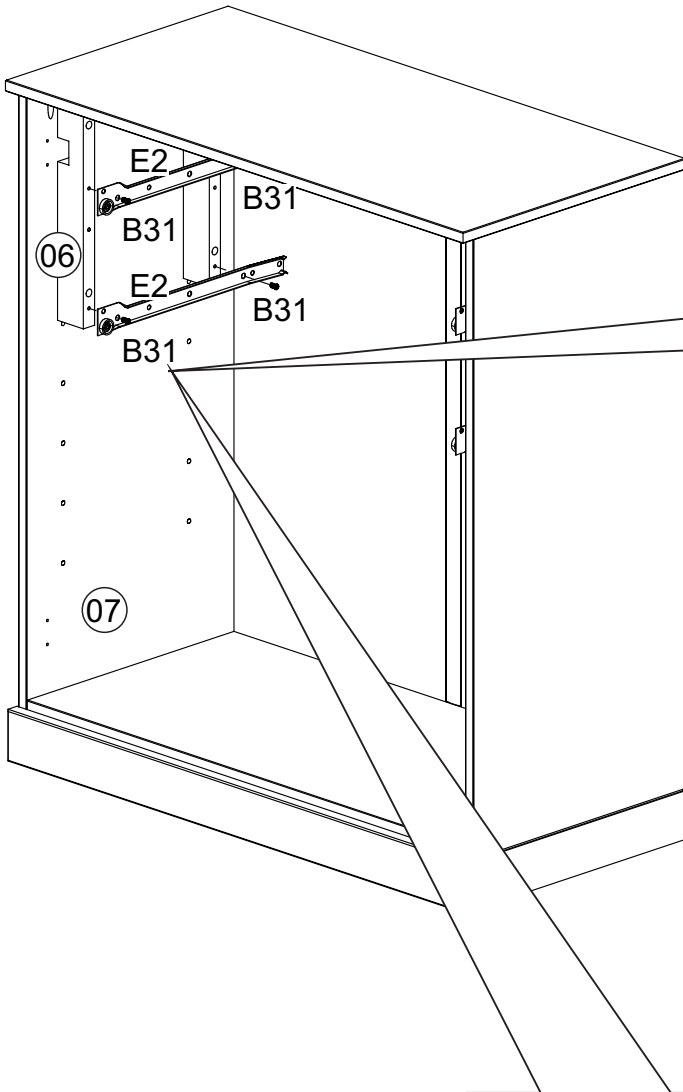
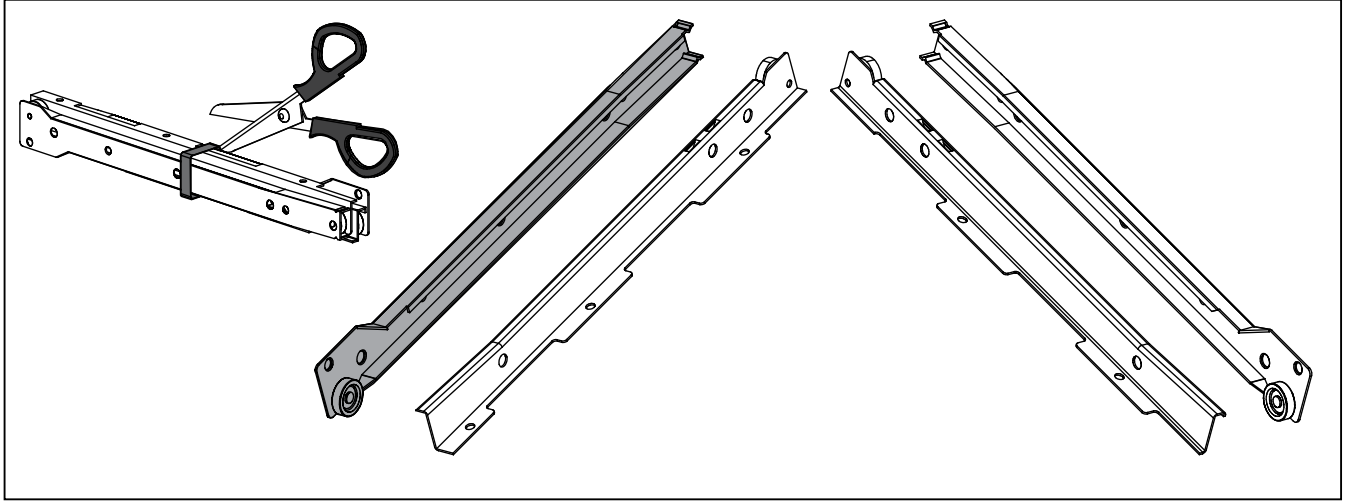



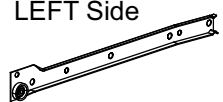
05) Drawers on top



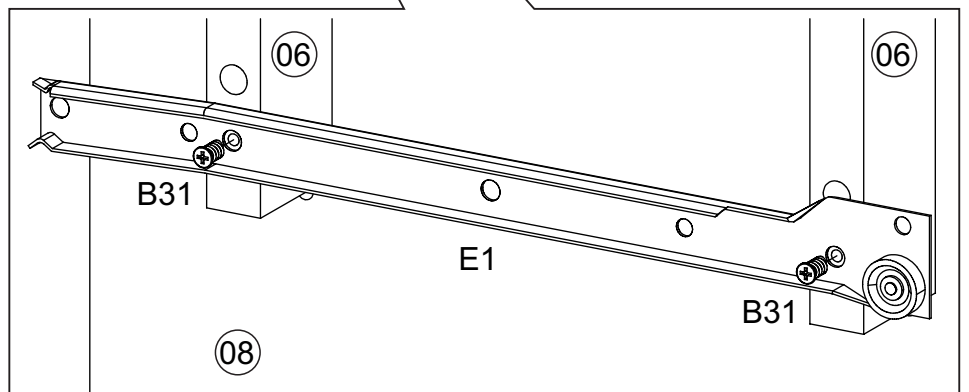
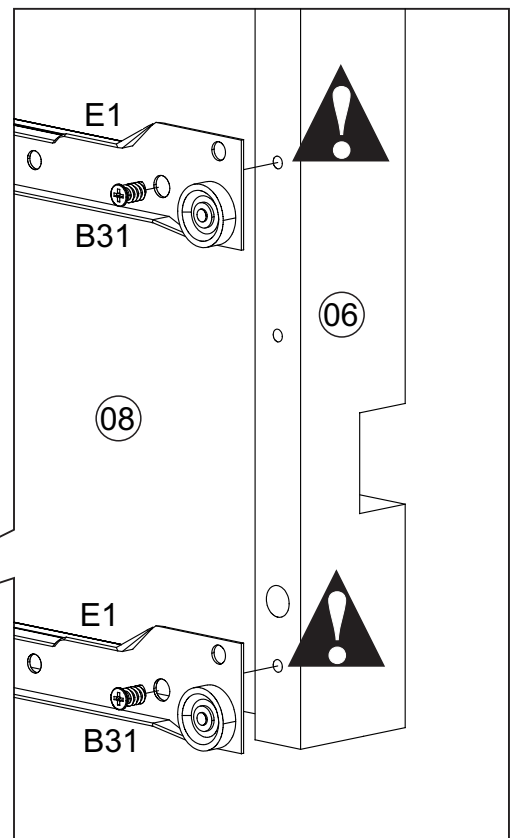
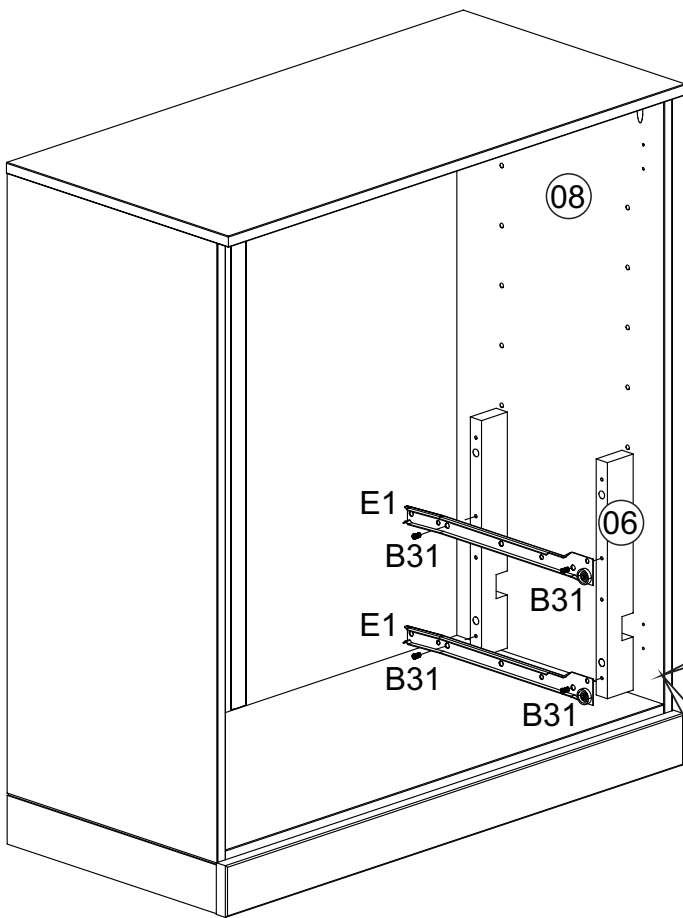
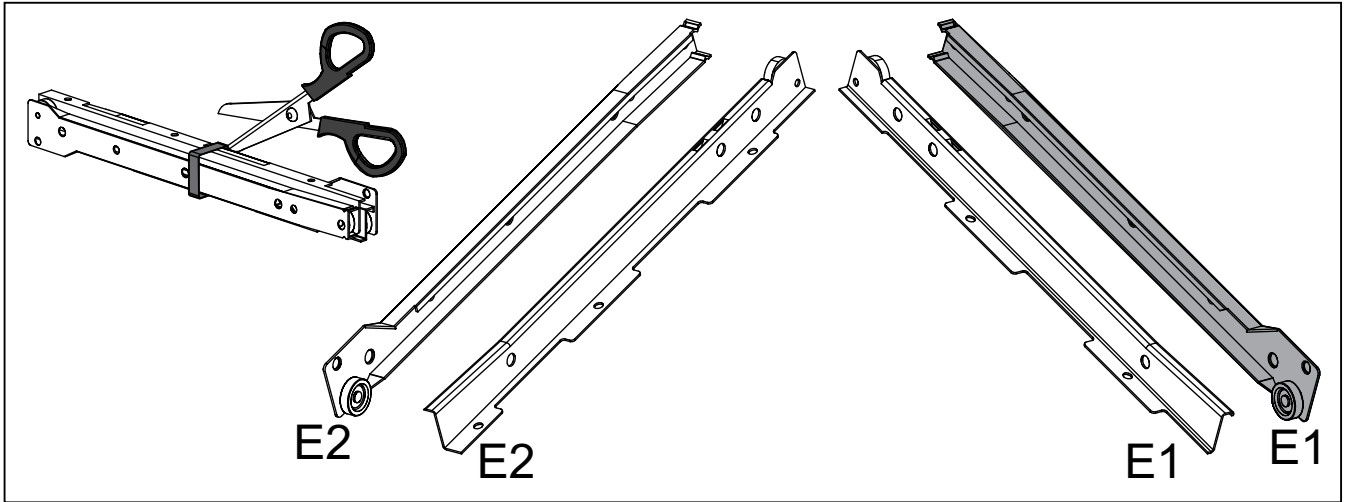
B31	 6,0x10	04
E1	RIGHT Side 	02

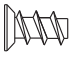
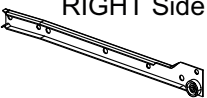
06) Drawers on top



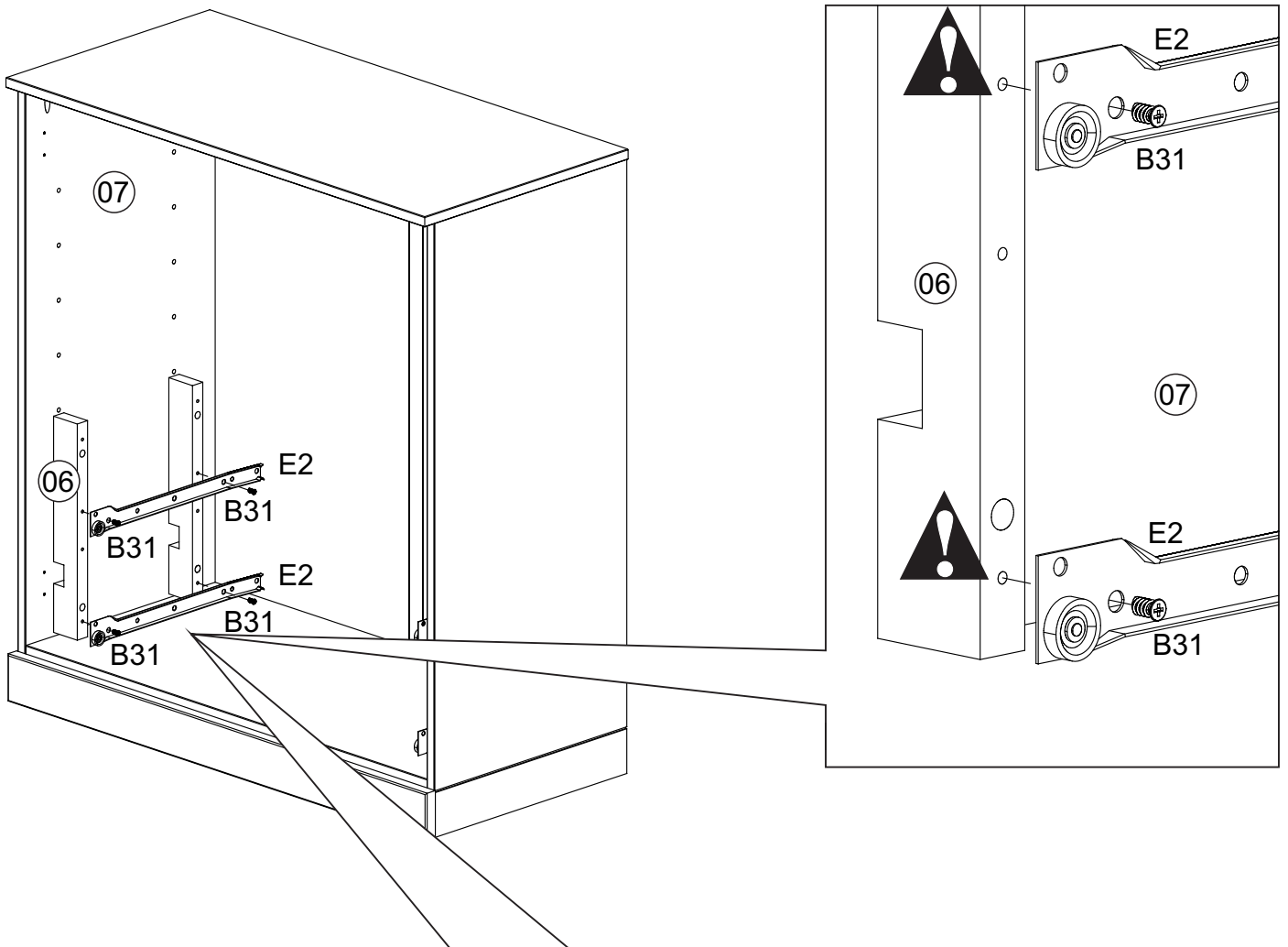
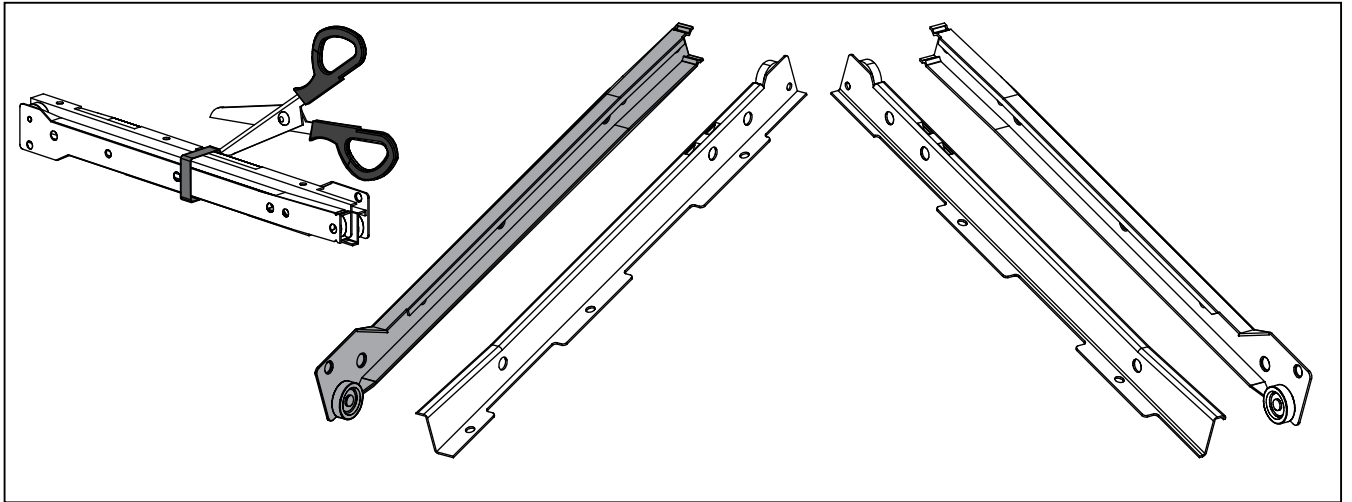
B31	 6,0x10	04
E2	LEFT Side 	02


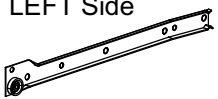
05) Drawers on bottom

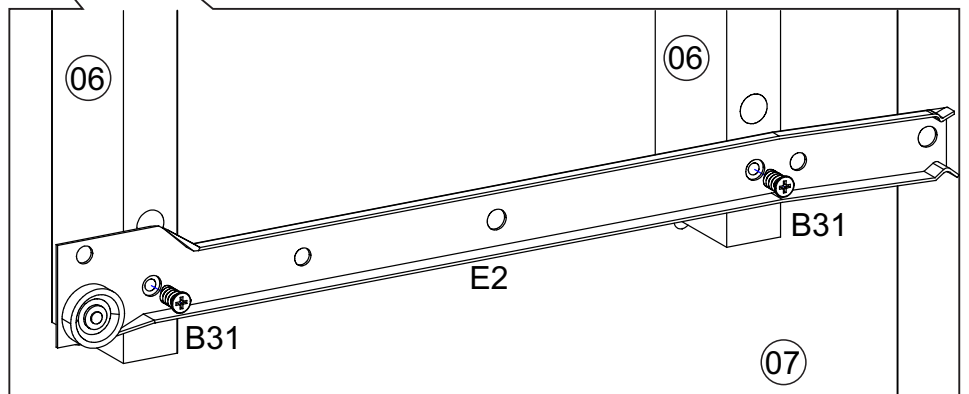


B31	 6,0x10	04
E1	 RIGHT Side	02

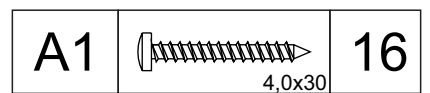
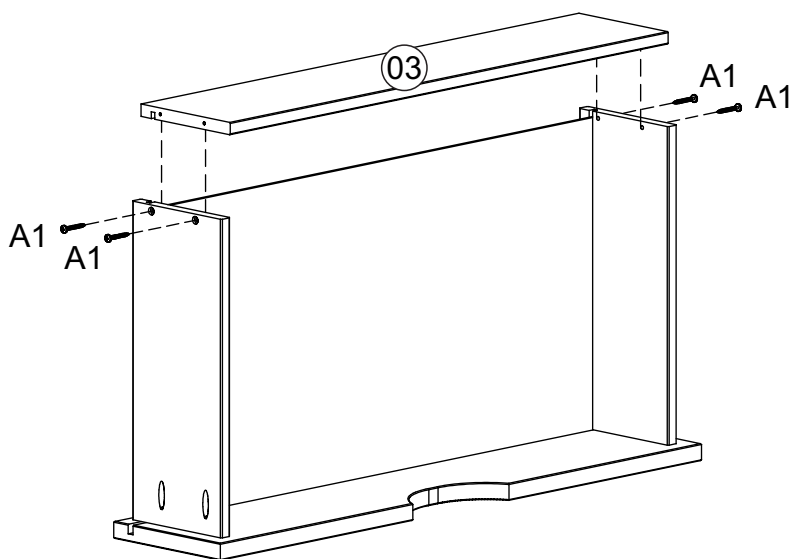
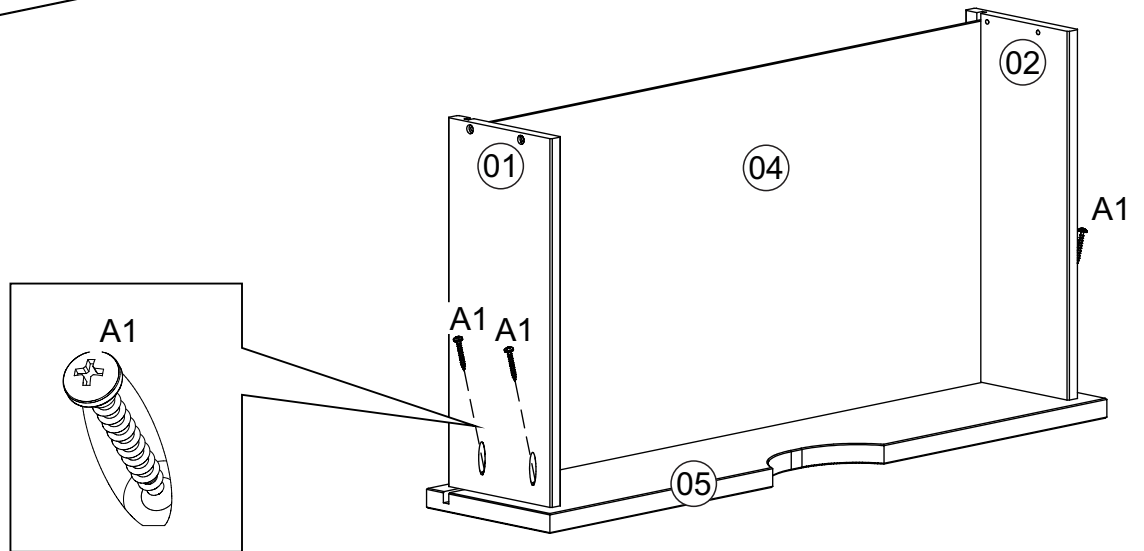
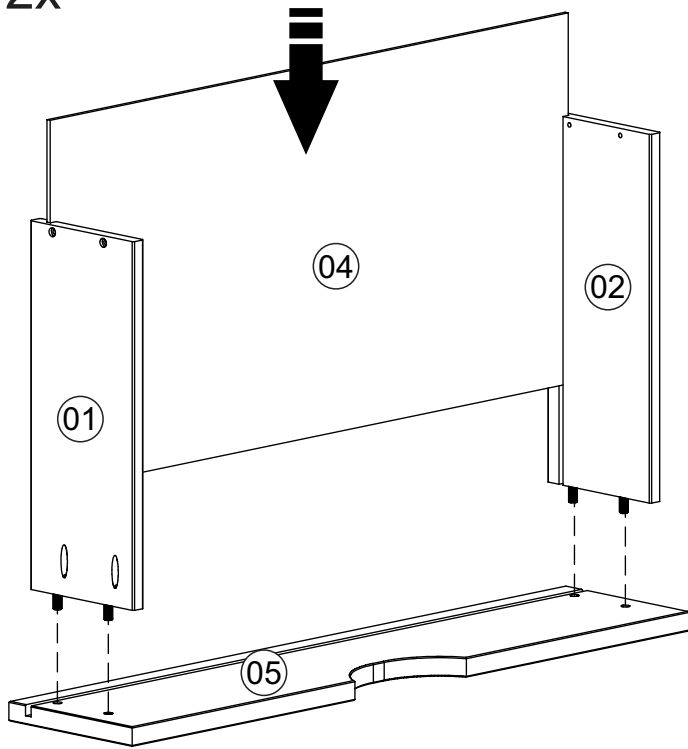
06) Drawers on bottom



B31	 6,0x10	04
E2	LEFT Side 	02



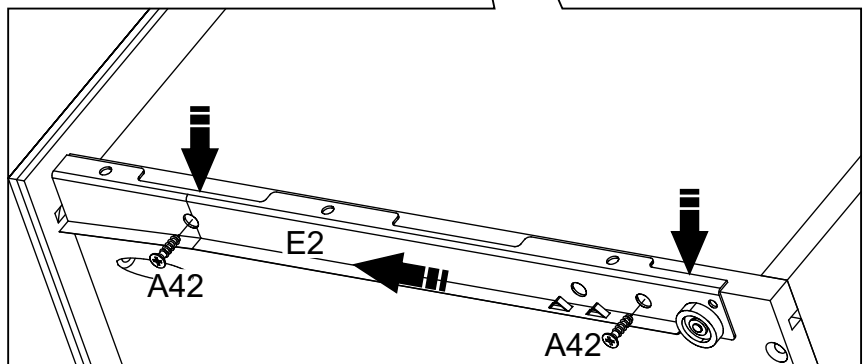
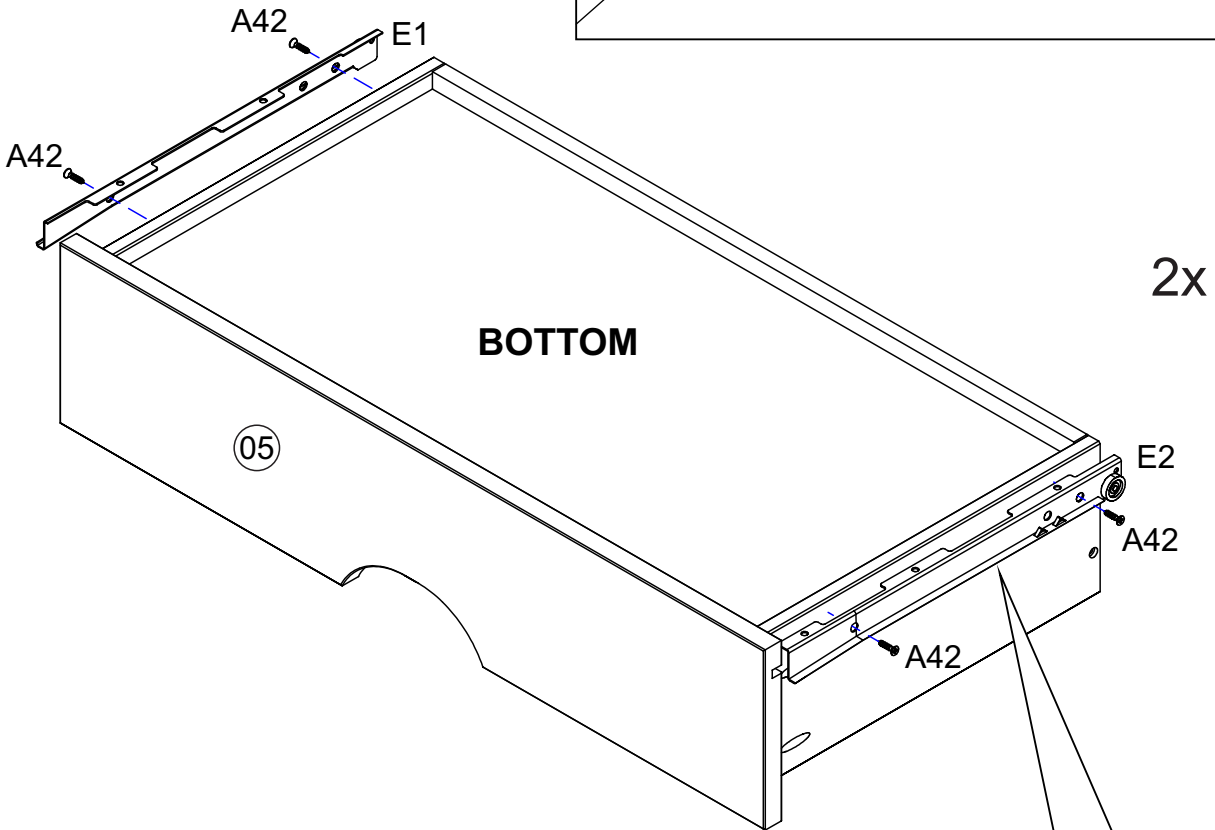
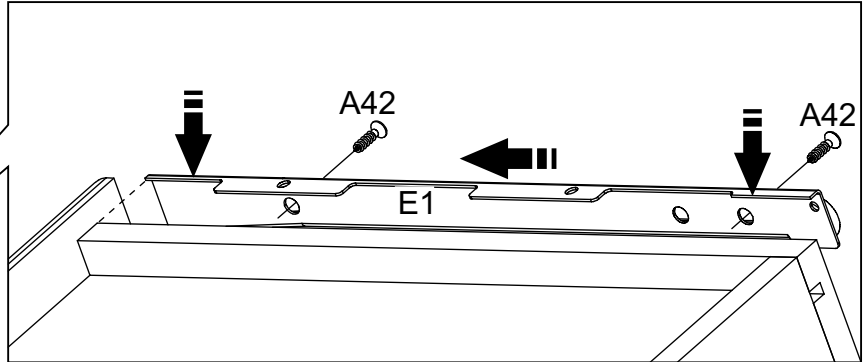
07) 2x


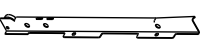



08)

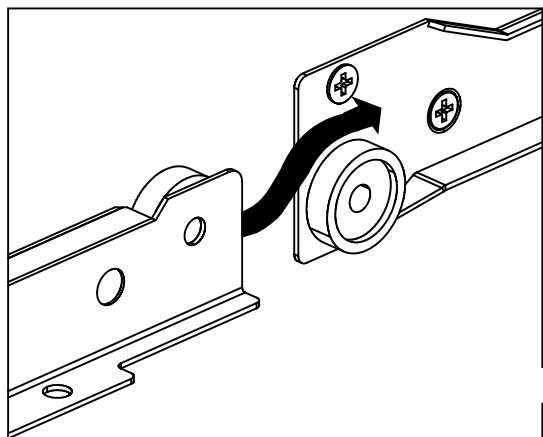


Turn the assembled drawer
OVER to install glides.



A42	 4.0x14	08
E1	 330mm - 13"	02
E2	 330mm - 13"	02

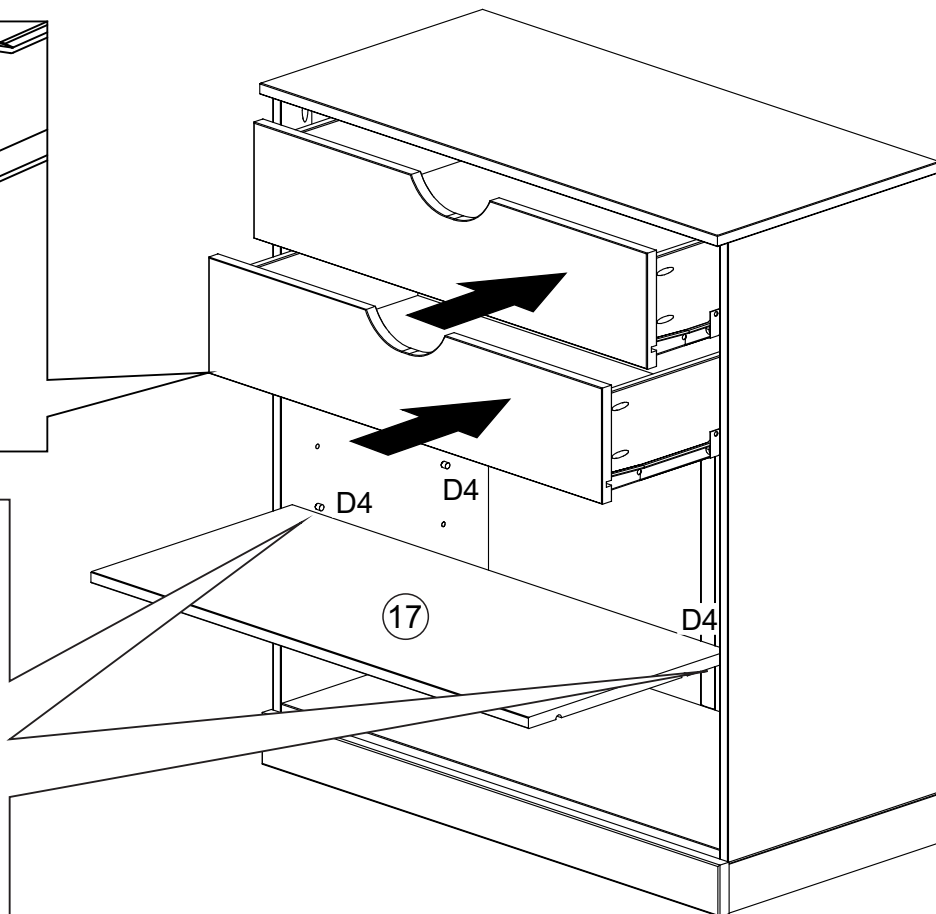
09) Drawers on top



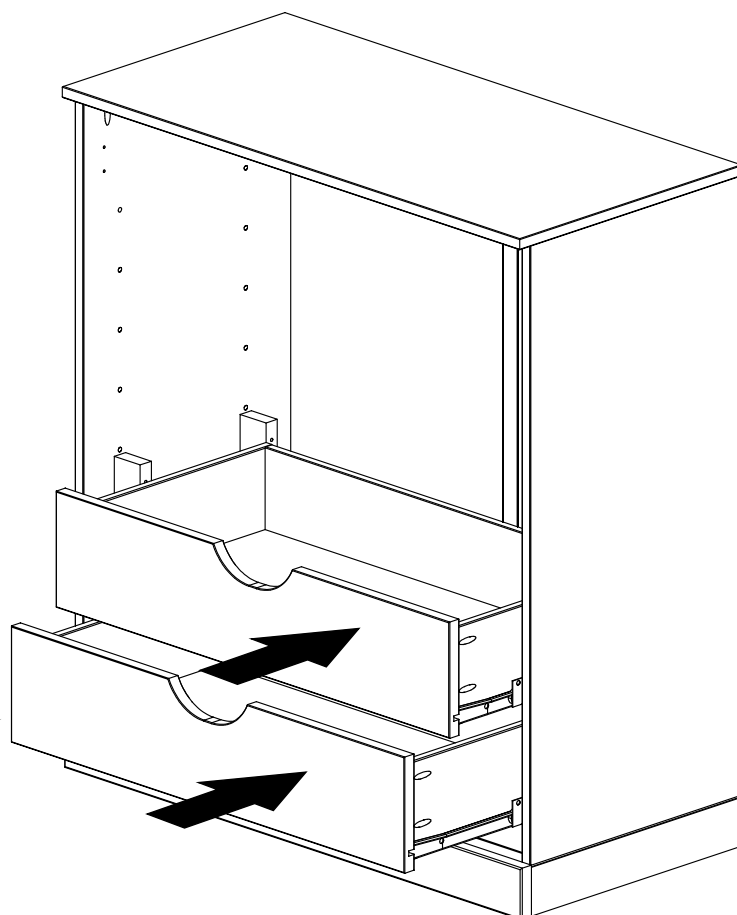
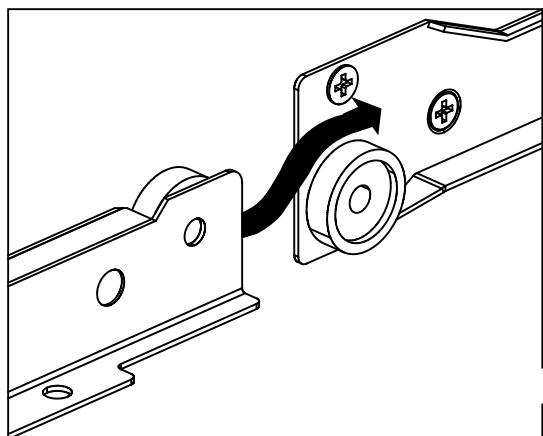
Select the desired shelf height and insert the metal pegs into the corresponding holes.



0



10) Drawers on bottom

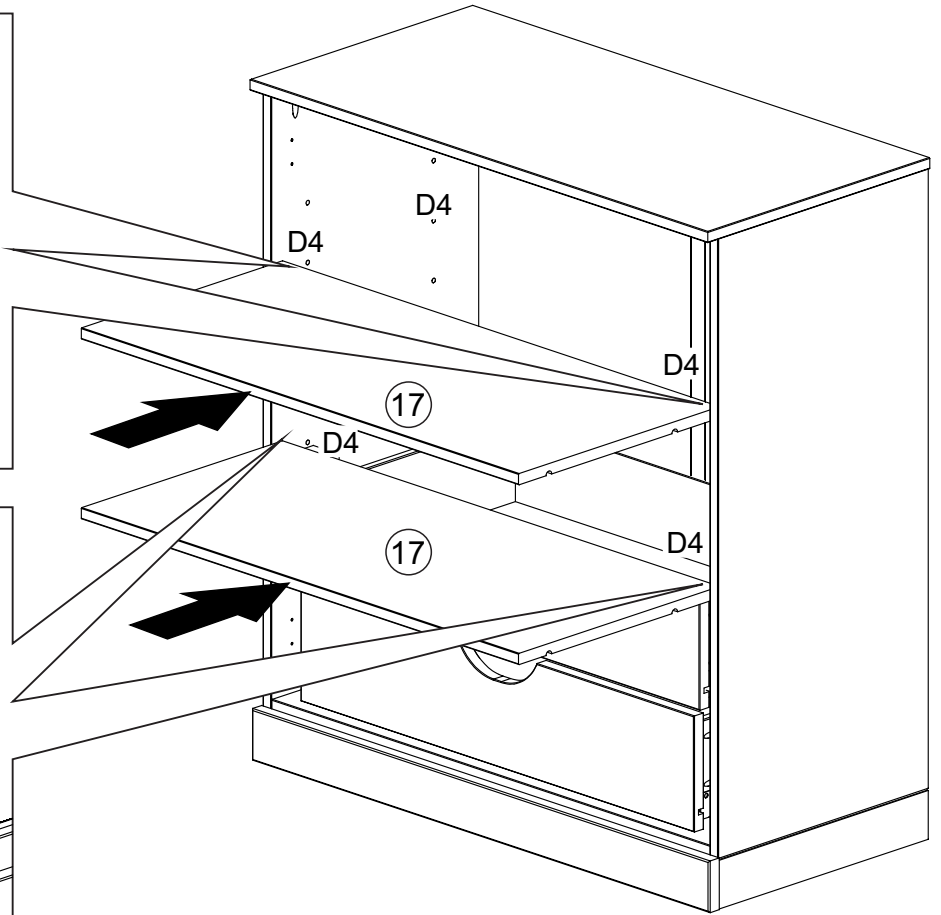
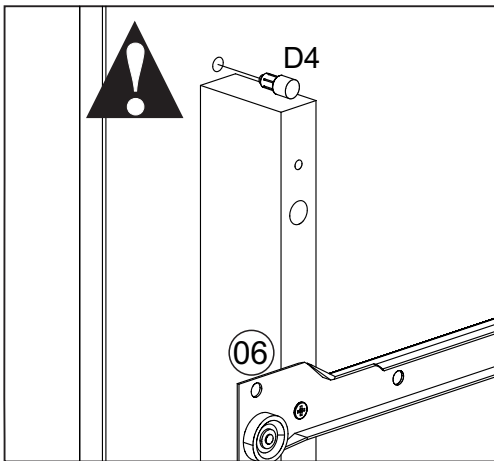


11) Drawers on bottom

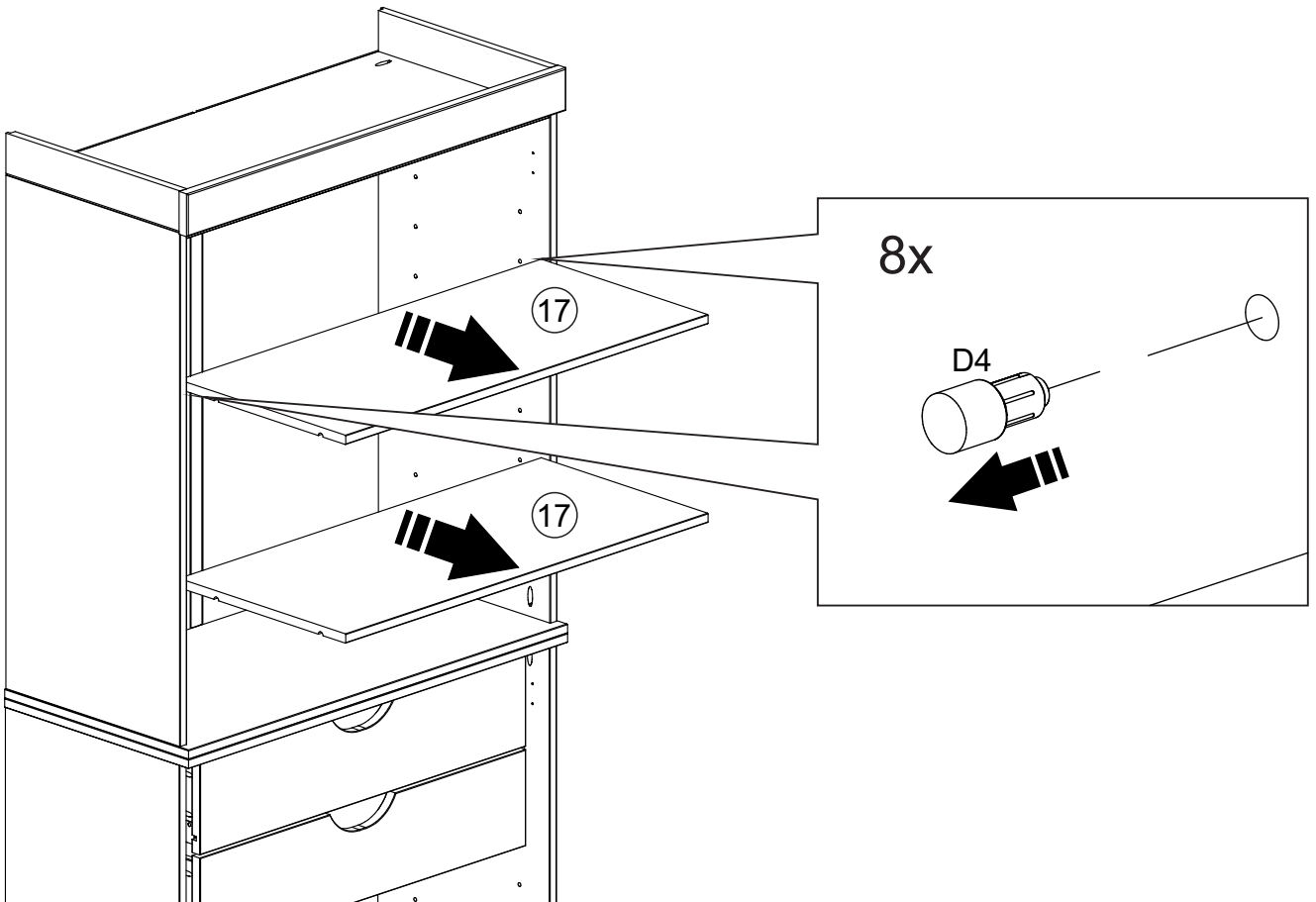
Select the desired shelf height and insert the metal pegs into the corresponding holes.



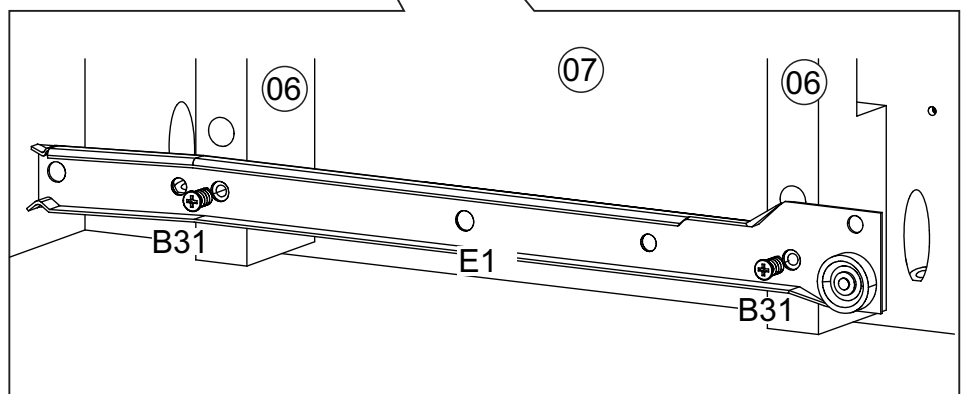
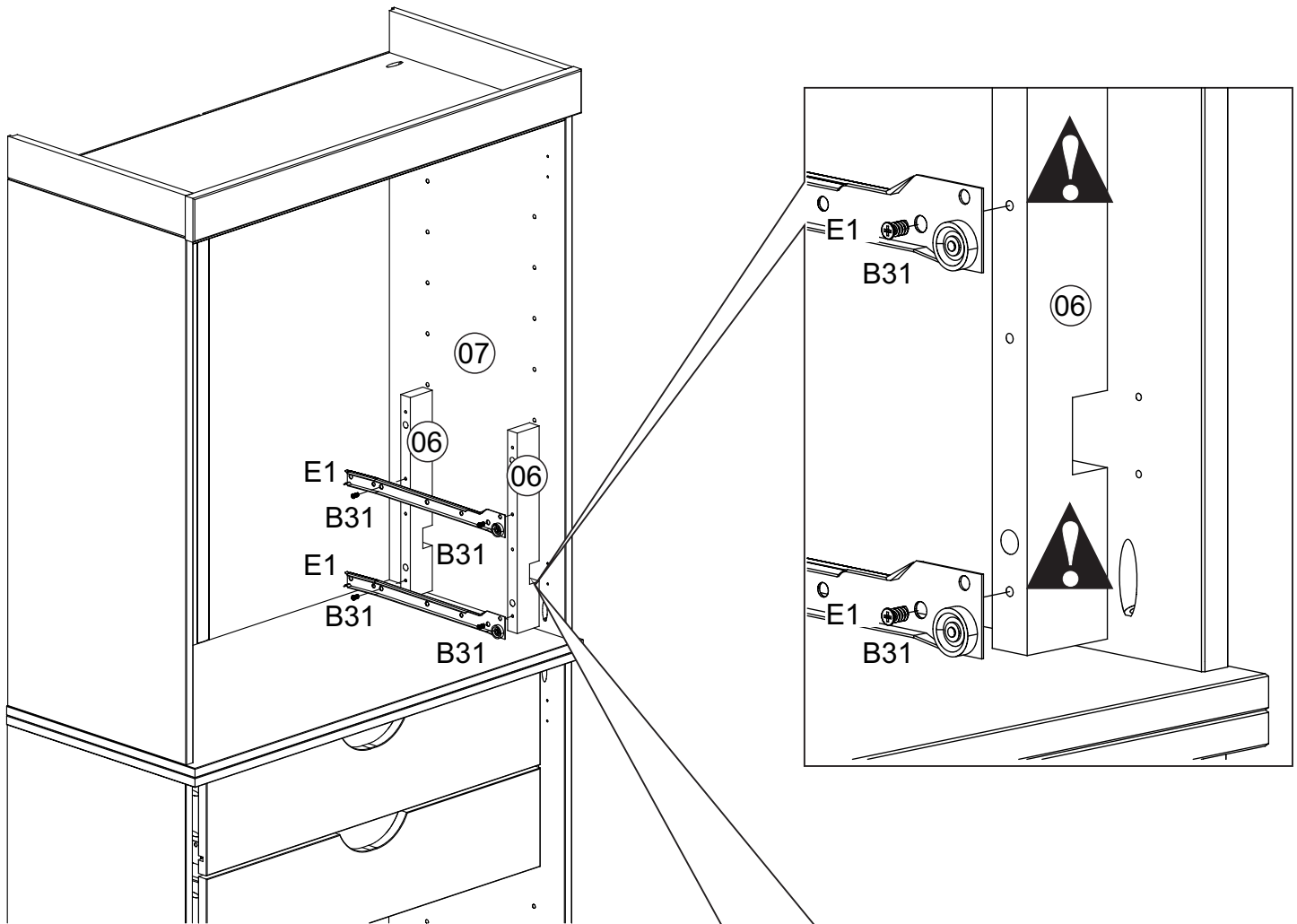
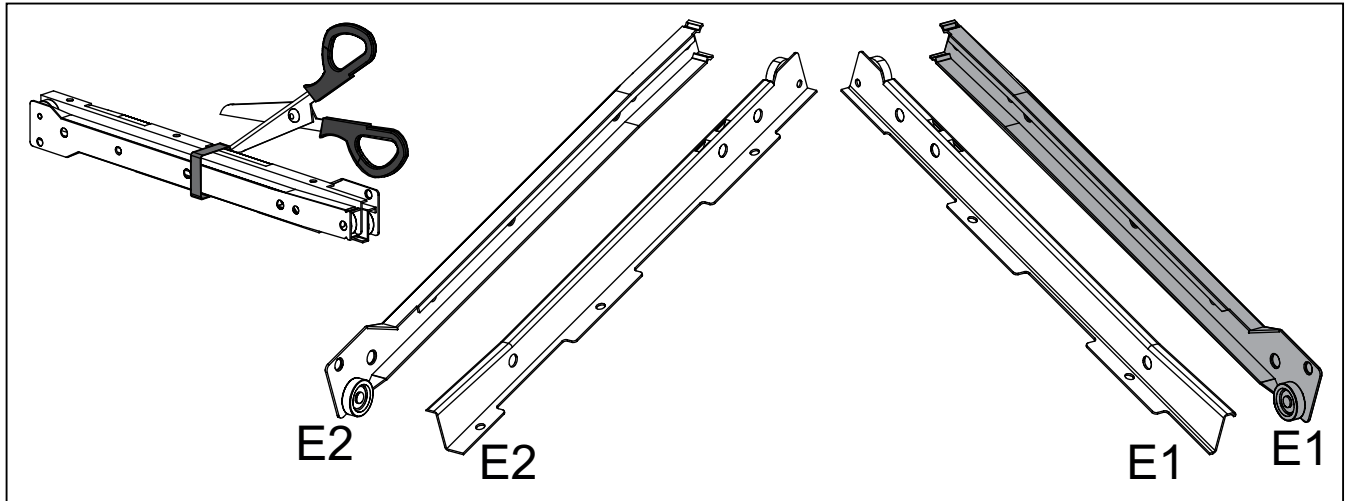
○


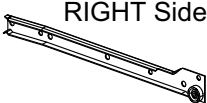


12) Adding second set of drawers for top cabinet (sold separately).

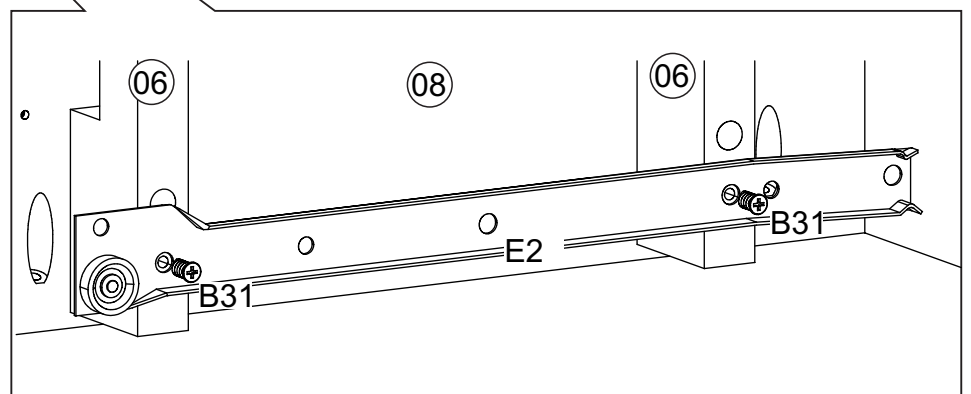
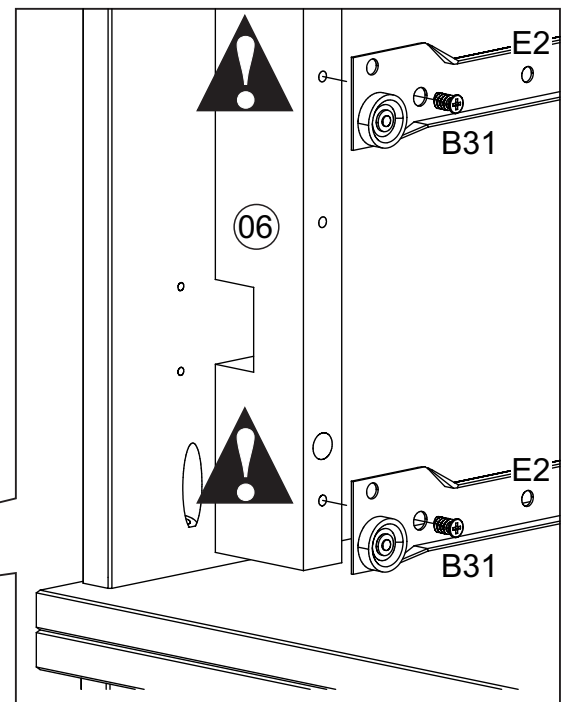
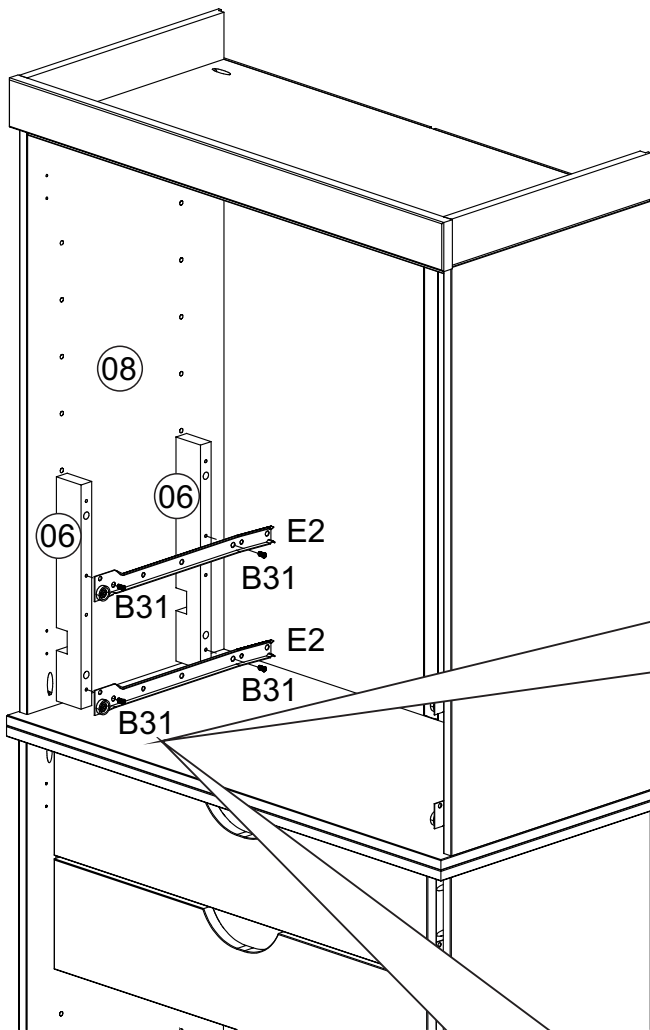
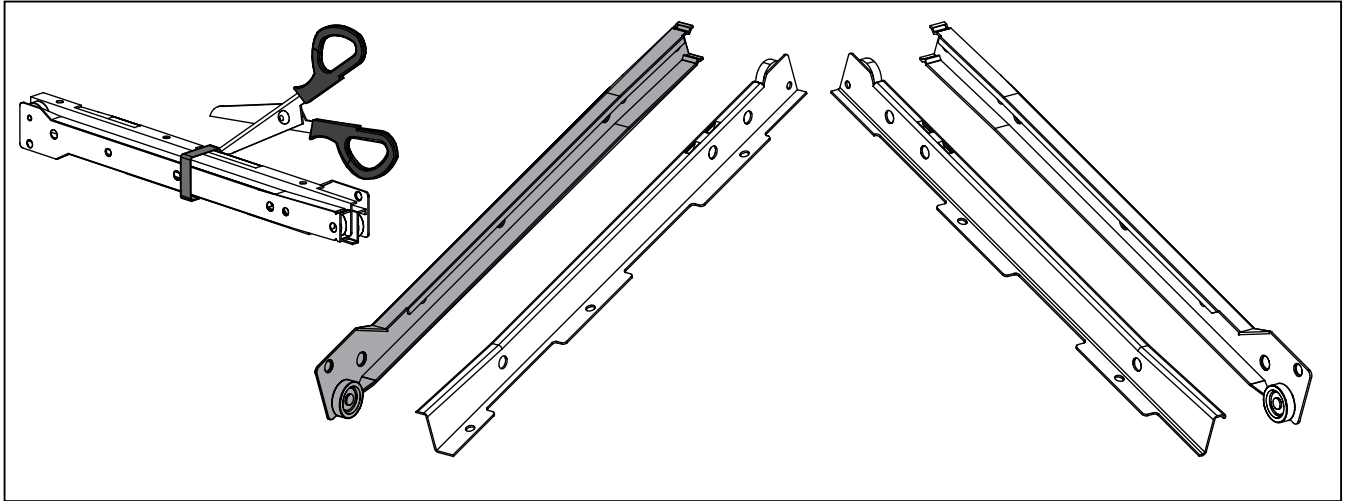



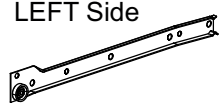
15) Adding second set of drawers for top cabinet (sold separately).



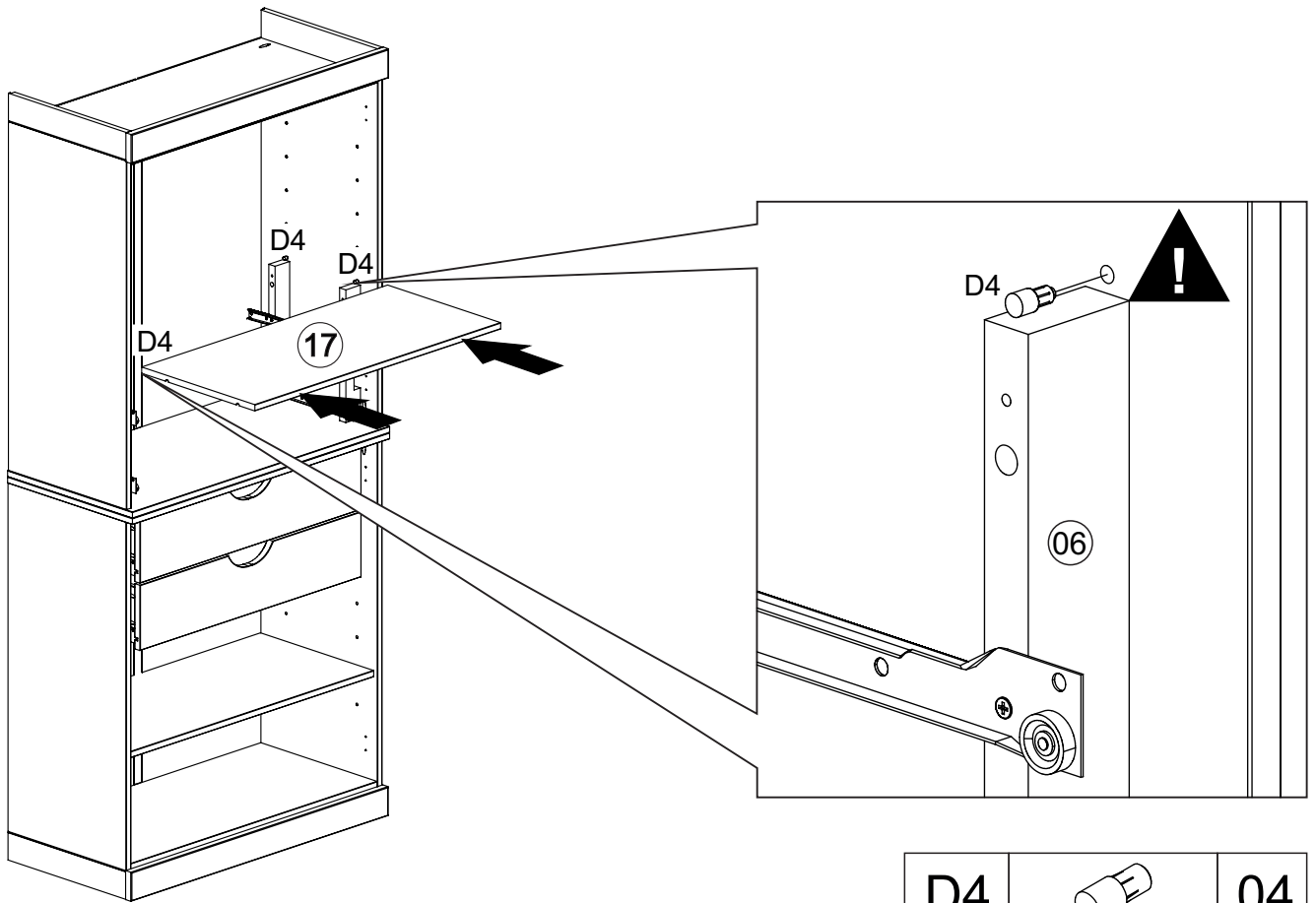
B31	 6,0x10	04
E1	 RIGHT Side	02

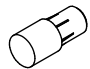
16) Adding second set of drawers for top cabinet (sold separately).



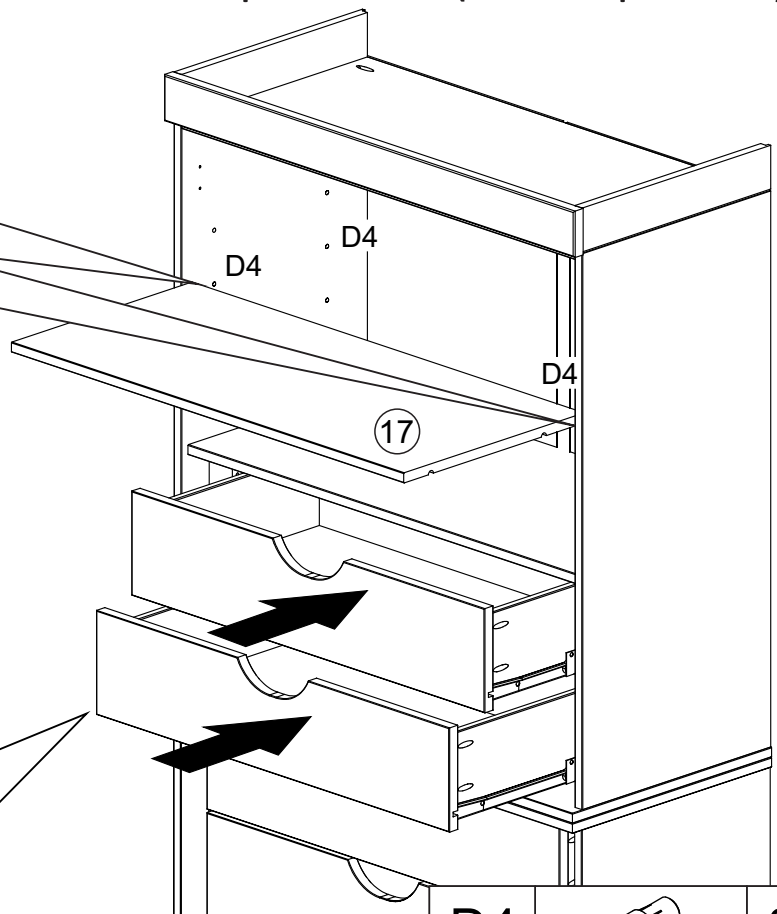
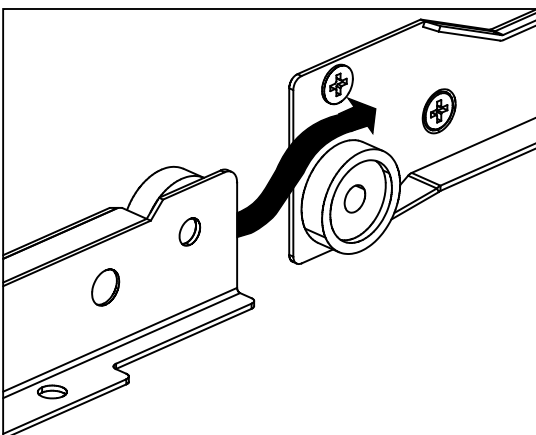
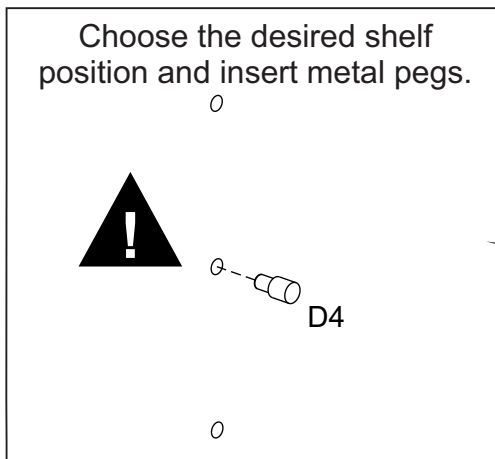
B31	 6,0x10	04
E2	LEFT Side 	02

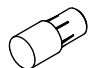
17) Adding second set of drawers for top cabinet (sold separately).



D4		04
----	---	----

18) Adding second set of drawers for top cabinet (sold separately).



D4		04
----	---	----