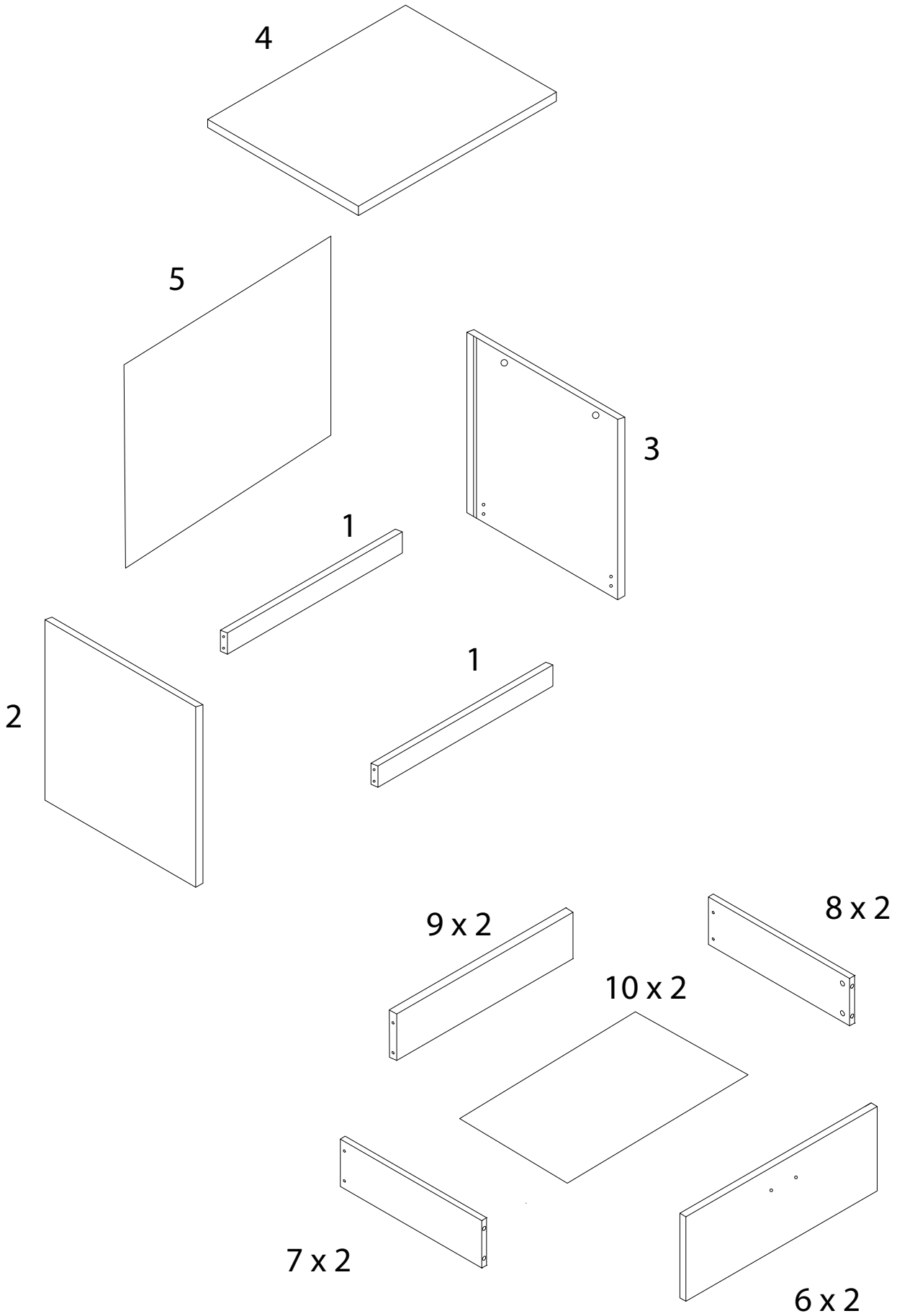
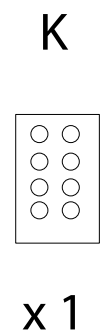
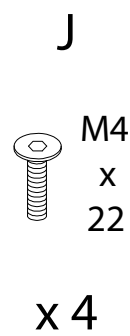
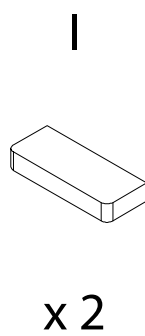
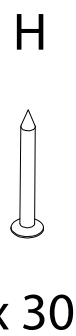
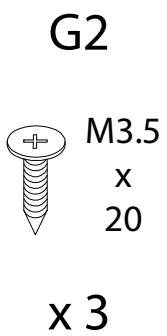
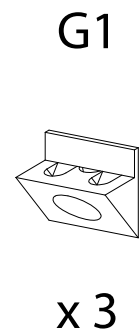
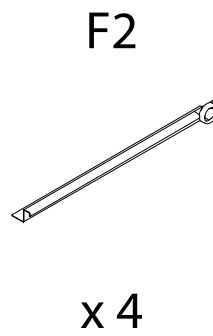
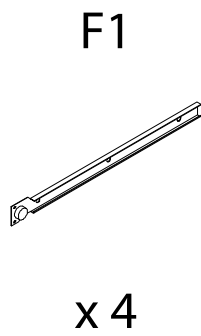
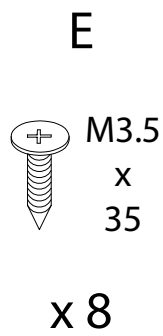
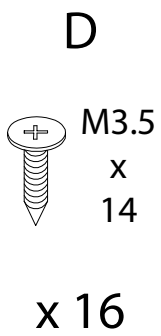
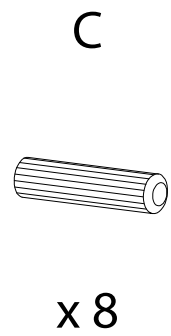
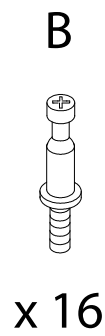
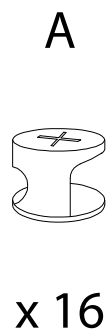
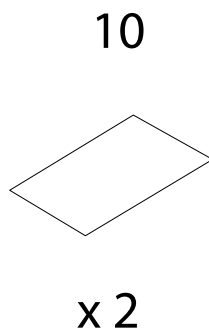
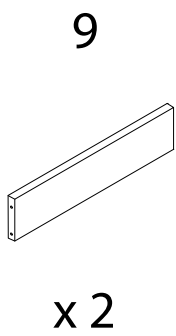
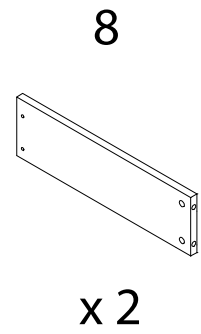
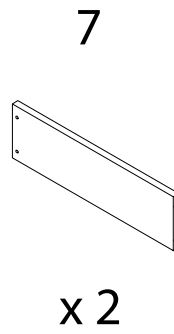
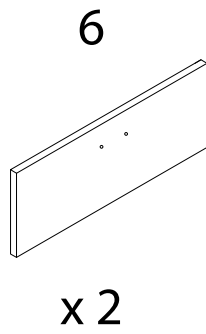
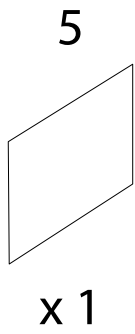
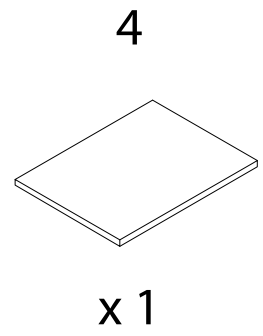
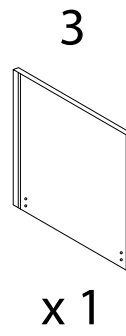
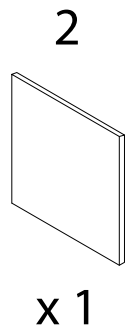
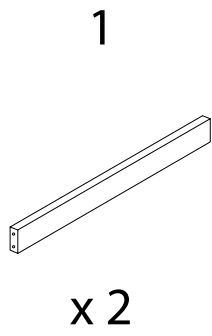


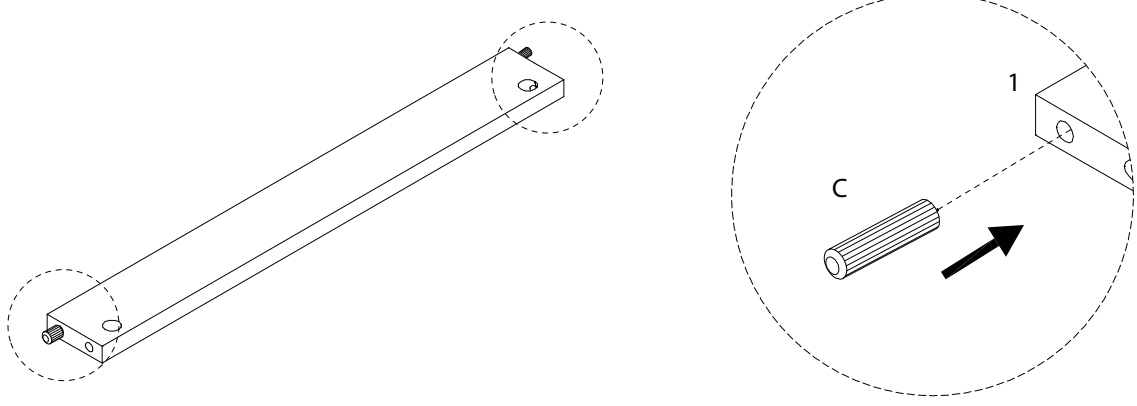
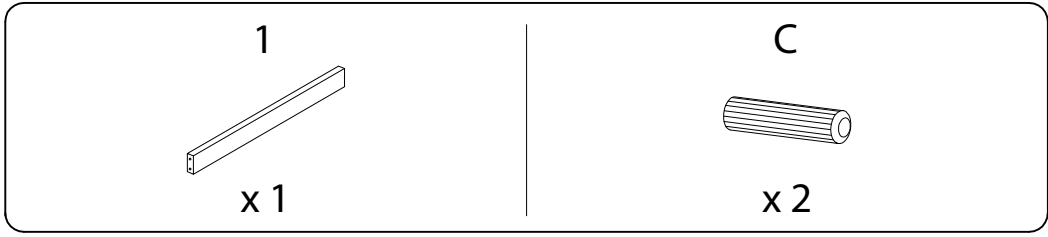
Assembly instructions for step 1/12:

- Tools:** A circular icon shows a screwdriver. A power drill icon is crossed out with a diagonal line, indicating it should not be used.
- Warning:** A triangle with an exclamation mark points to the tool instructions.
- Time:** A clock icon is shown with the text "45'" below it, indicating the estimated assembly time.
- Personnel:** A stick figure icon is shown with the number "1" below it, indicating that one person is required for assembly.
- Diagram:** A circular icon shows a rectangular block being placed on a surface with a textured pattern. A second diagram shows the block being pushed down, with a diagonal line and arrows indicating the direction of force.
- Warning:** A second triangle with an exclamation mark points to the diagram.

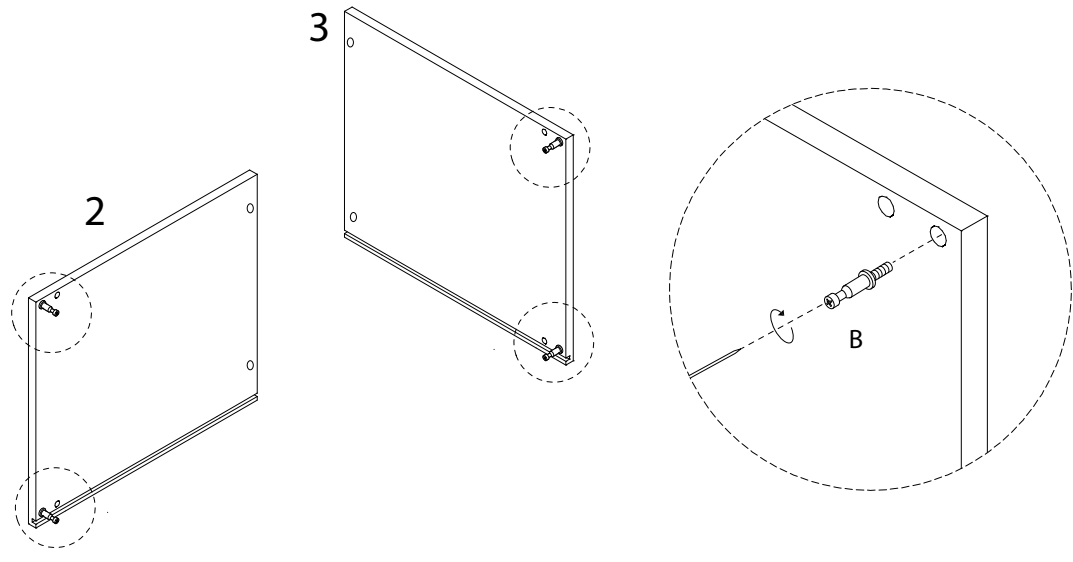
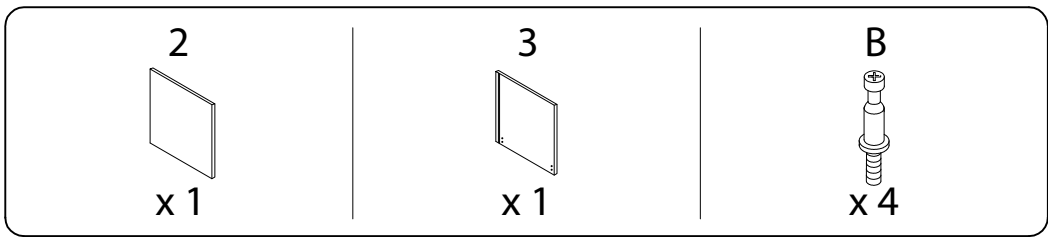




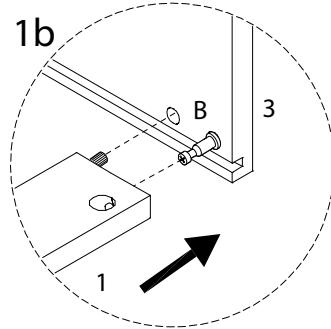
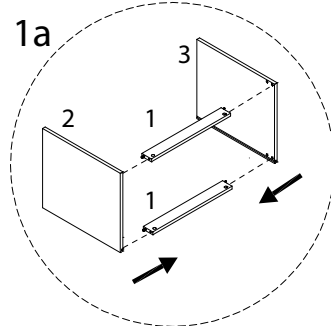
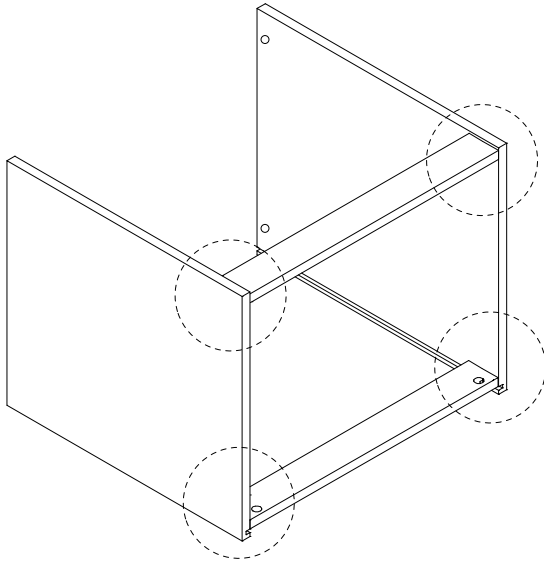
1 x 2



2



3

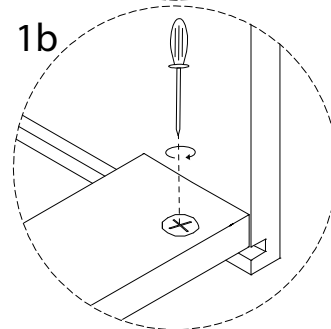
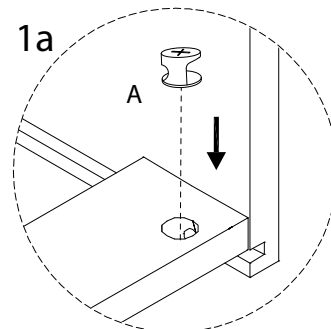
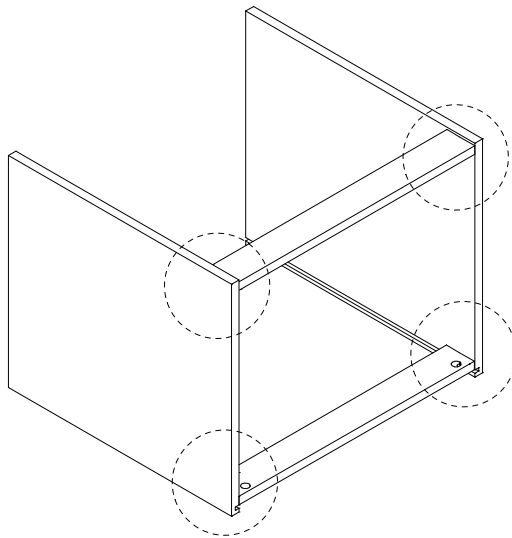


4

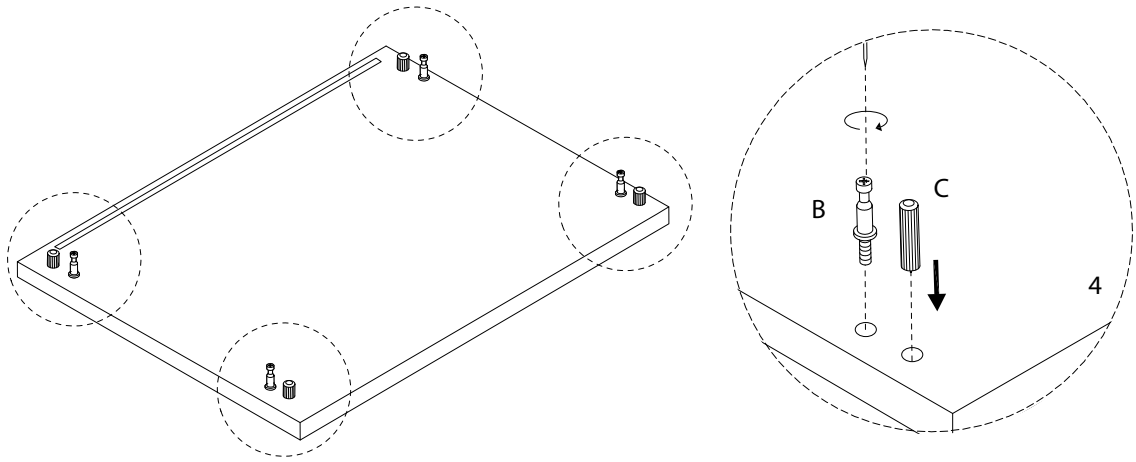
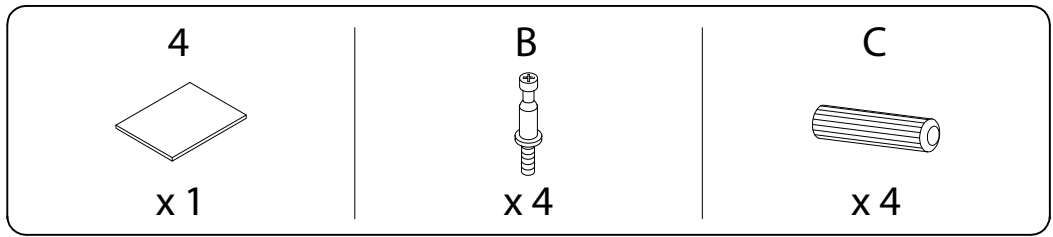
A



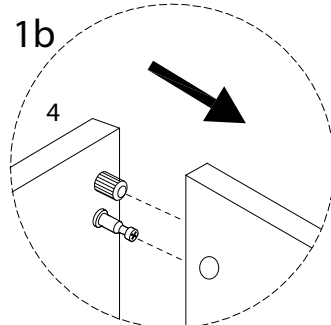
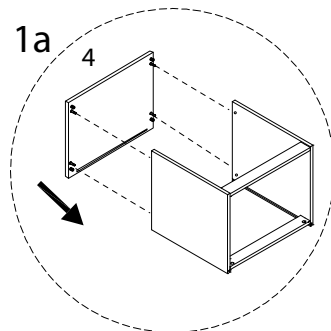
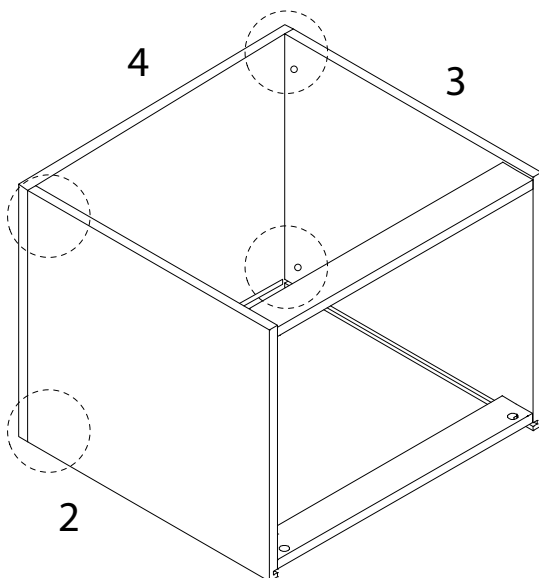
x4



5



6

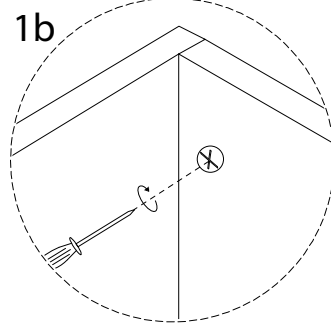
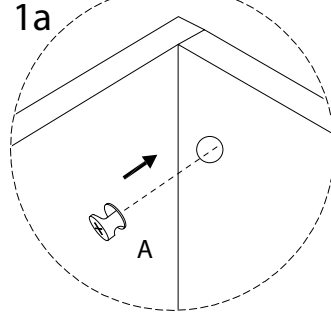
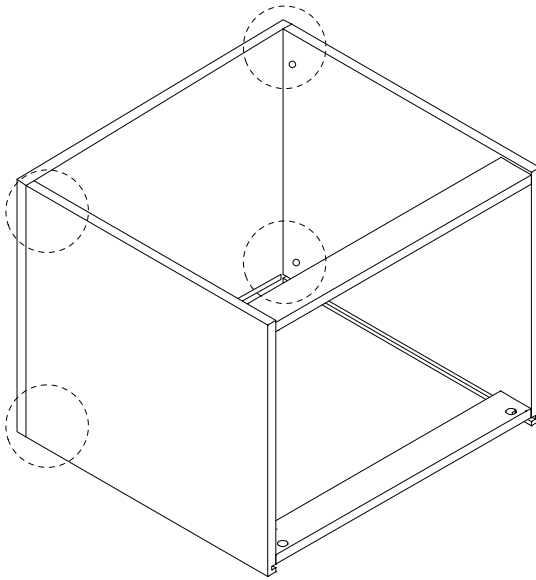


7

A

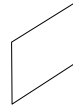


x 4

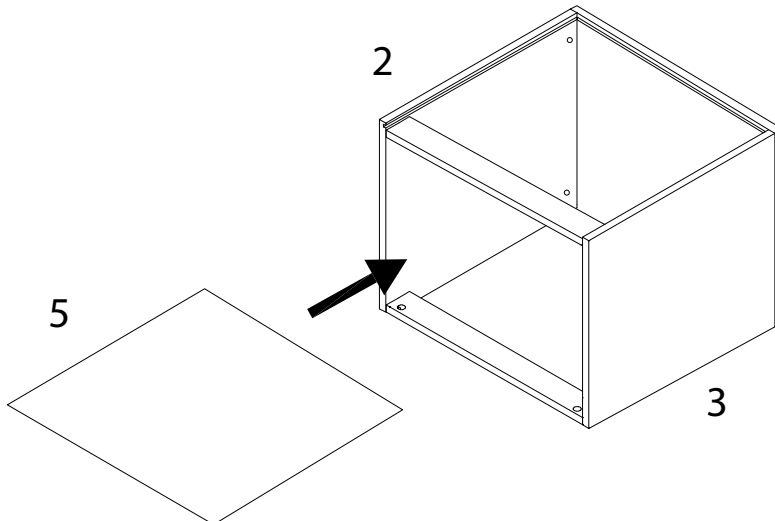


8

5



x 1



9

H



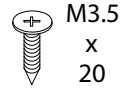
x 6

G1

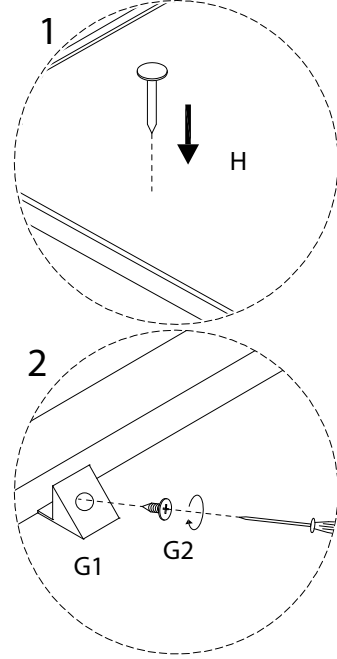
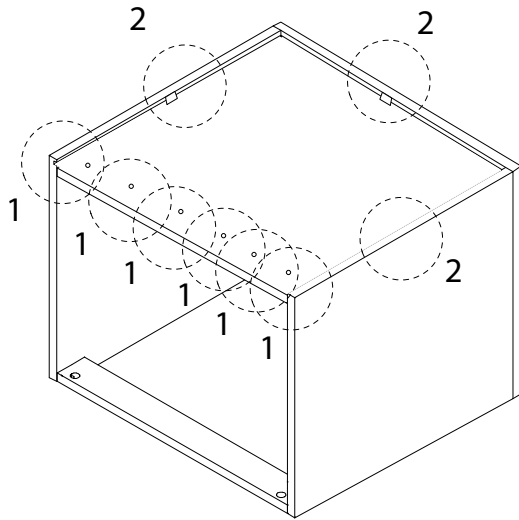


x 3

G2

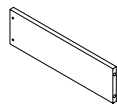


x 3



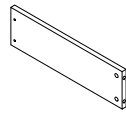
10 x 2

7



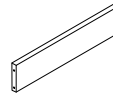
x 1

8



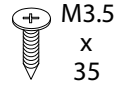
x 1

9

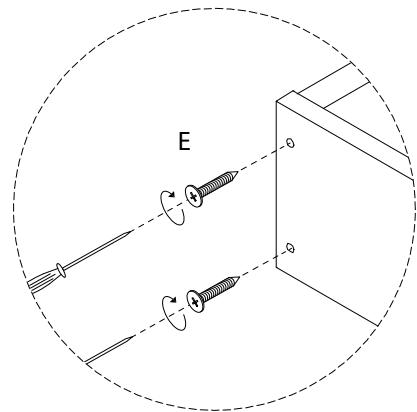
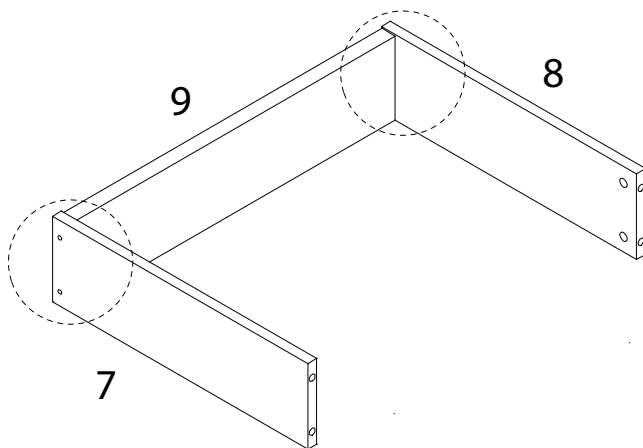


x 1

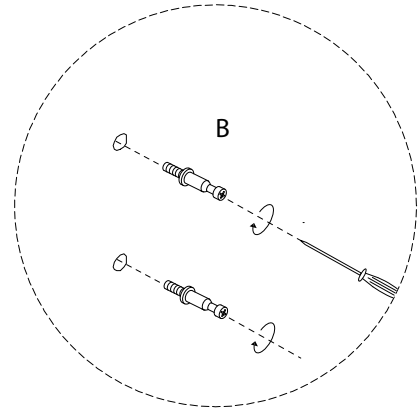
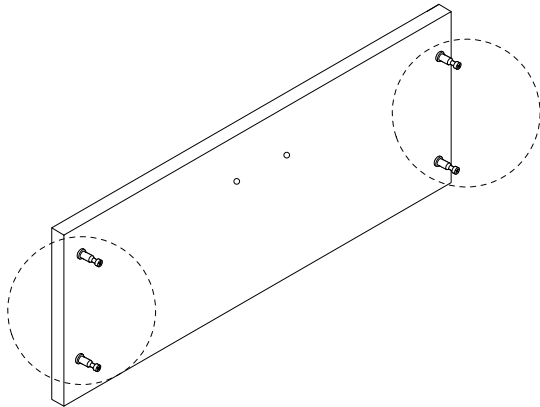
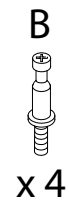
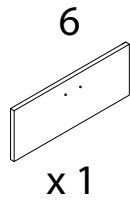
E



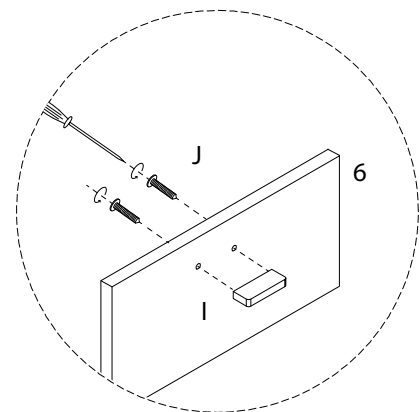
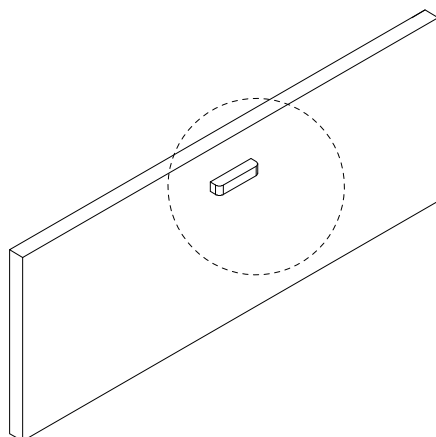
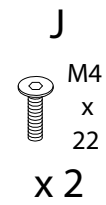
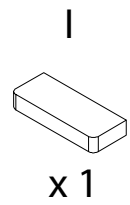
x 4



11 x 2



12 x 2

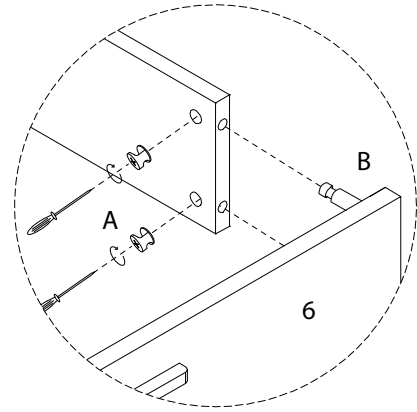
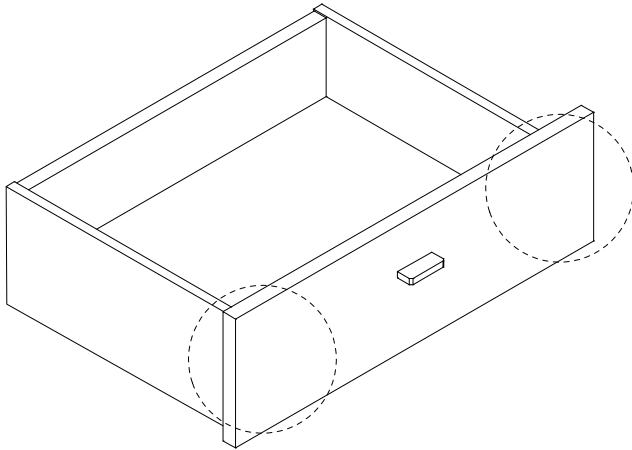


13 x 2

A

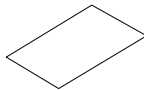


x 4



14 x 2

10

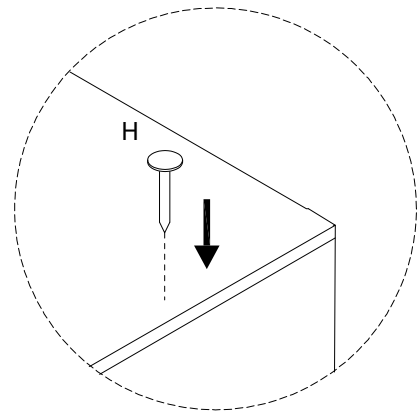
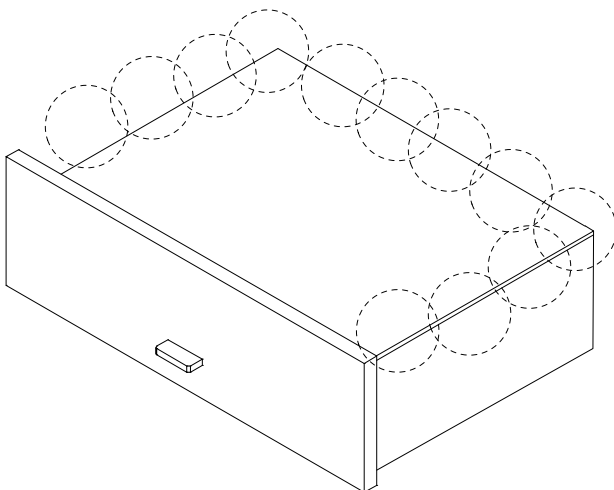


x 1

H

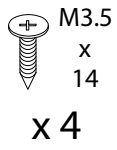


x 12

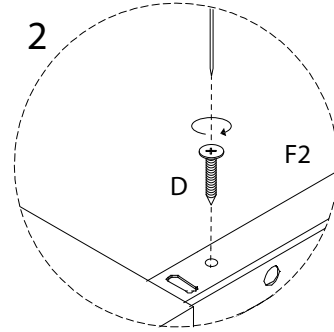
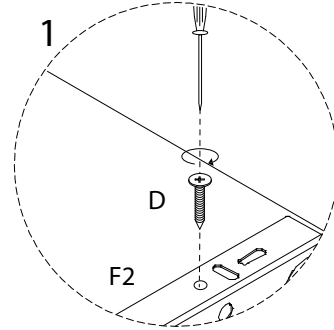
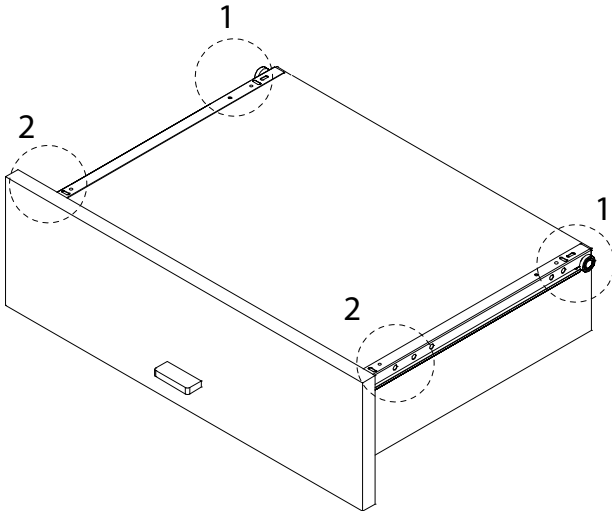
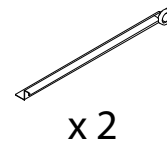


15 x 2

D

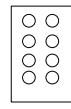


F2

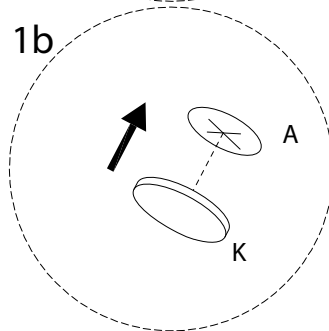
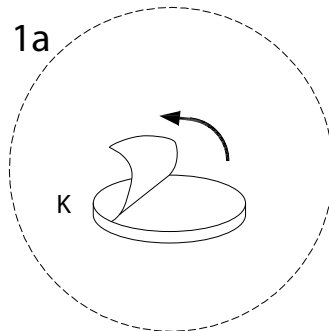
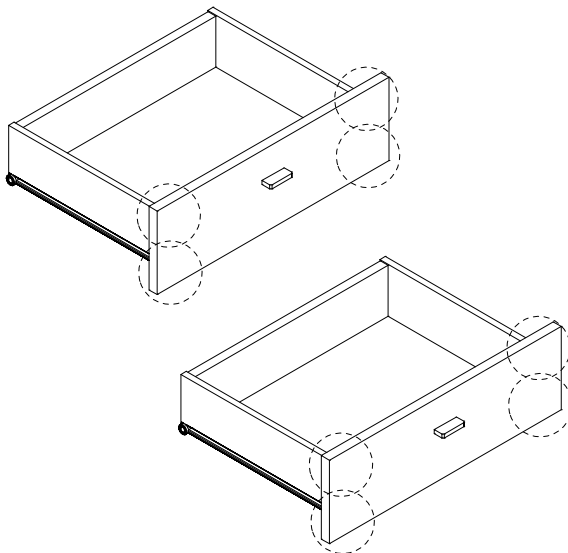


16

K

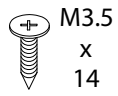


x 1



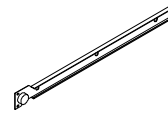
17

D

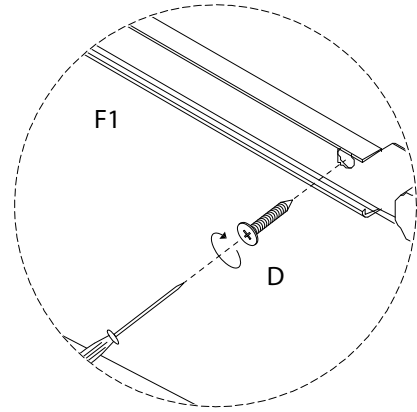
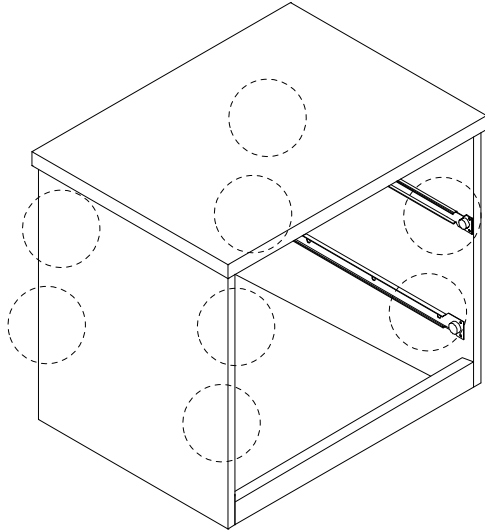


x 8

F1



x 4



18

