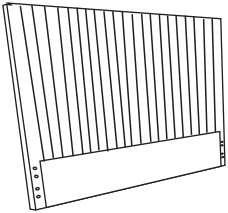
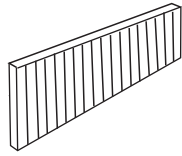


# PARTLIST

① Headboard 1pc



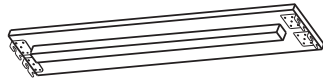
② Footboard 1pc



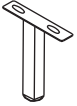
③ Slats x 1pc



④ Side Rail x 2pcs



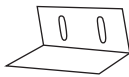
⑤ Support Leg x 4pcs



⑥ Leg x 4pcs



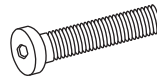
⑦ Bracket x 2pcs



# HARDWARE LIST

King

(A) Bolt M8x30mmx20pcs



(B) Nut M8x 8pcs



(C) Spring WasherX28pcs



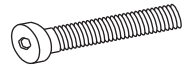
(D) Flat WasherX28pcs



(E) Allen Key M5 x 1pc



(F) BoltM8 x 40mm x 8pcs

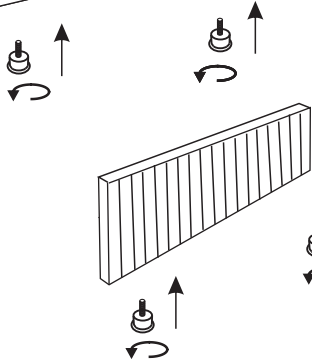
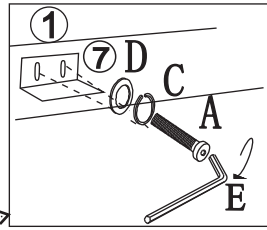
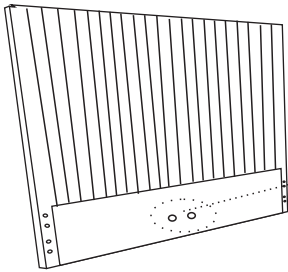


(G) Spanner x 1pc

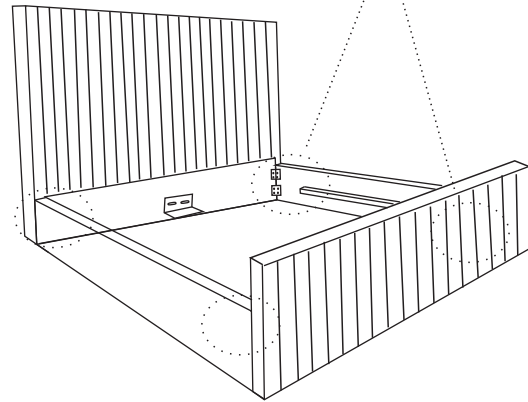
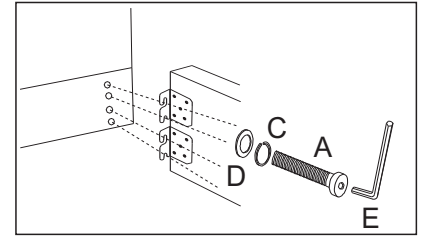


## Step 1

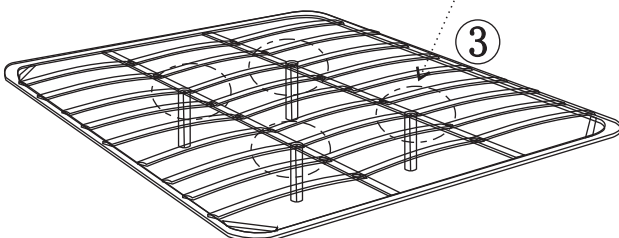
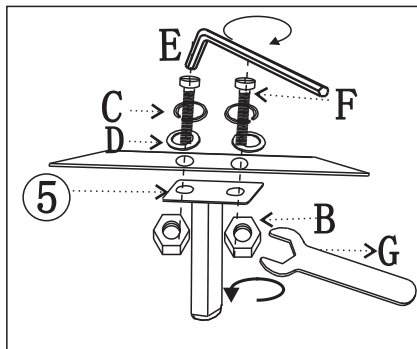
①



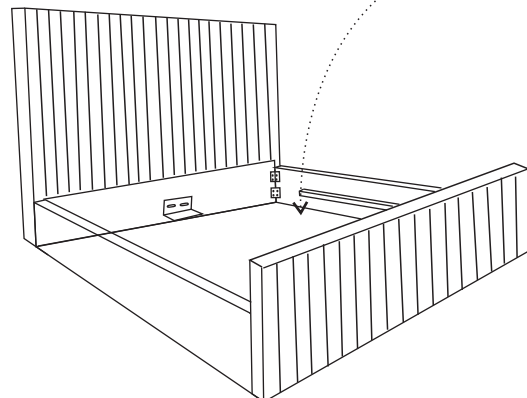
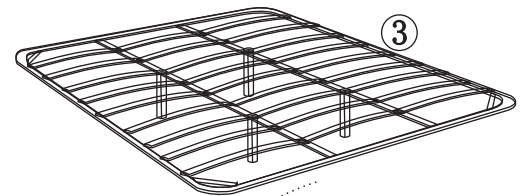
## Step 2



## Step 3

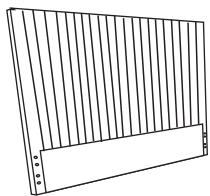


## Step 4

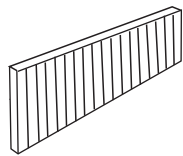


# PARTLIST

① Headboard 1pc



② Footboard 1pc



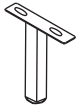
③ Slats x 1pc



④ Side Rail x 2pcs



⑤ Support Leg x 2pcs



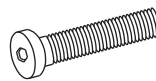
⑥ Leg x 4pcs



# HARDWARE LIST

Queen

(A) Bolt M8x30mmx16pcs



(B) Nut M8x 4pcs



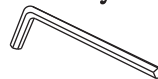
(C) Spring WasherX20pcs



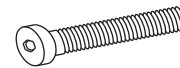
(D) Flat WasherX20pcs



(E) Allen Key M5 x 1pc



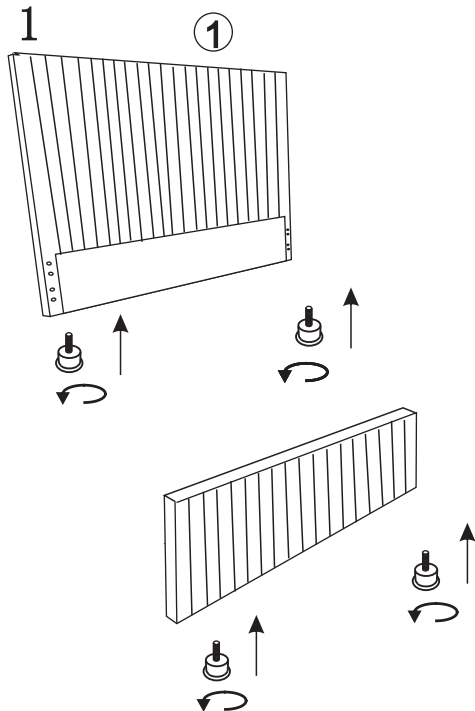
(F) BoltM8 x 40mm x 4pcs



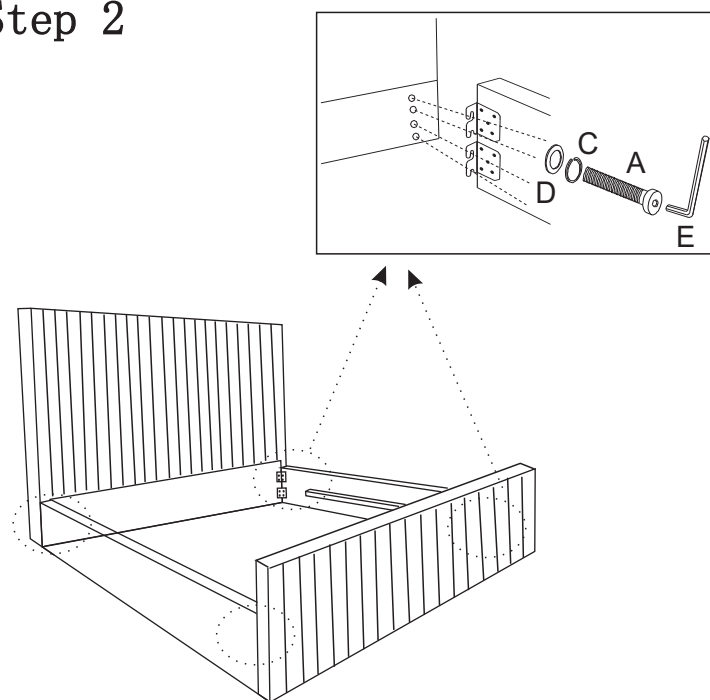
(G) Spanner x 1pc



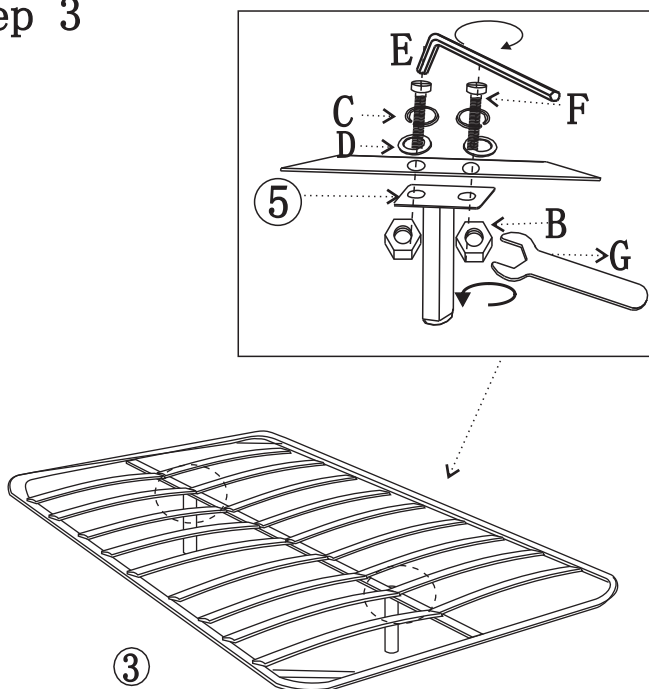
## Step 1



## Step 2



## Step 3



## Step 4

