

# BLANCO ETAGON 500-IF/A

Item No. BL468101

## Pros

---



### Taking functionality to another level

- Generous staggered bowl with the functionality of a sink centre
- Integrated step creates an additional functions level
- Innovative system concept with versatile ETAGON rails
- High-quality features with the covered C-overflow™ and InFino™ drain system – elegantly integrated and extremely hygienic
- Available in three different installation versions: for undermount installation, IF flat rim for installation from above, IF/A-version with integrated tap ledge

## Surfaces

---



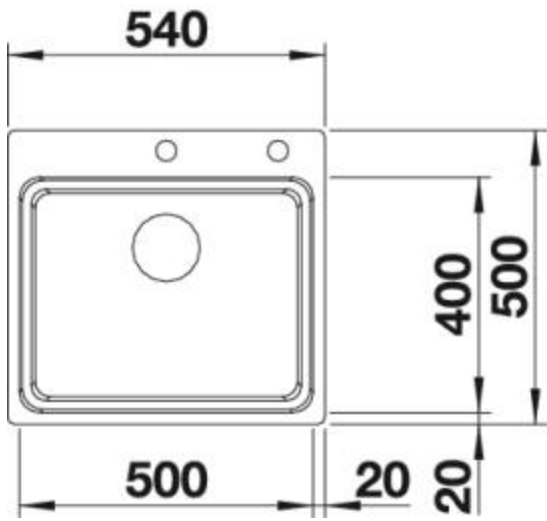
Stainless steel  
18/10

Stainless steel 18/10

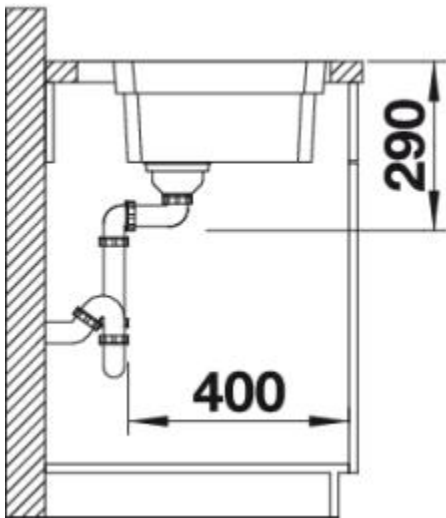
Item No. BL468101

## Details

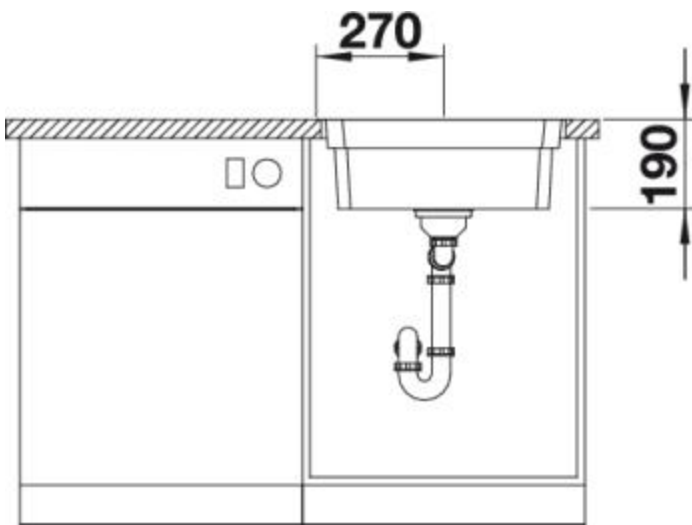
---



Top View



Side View



Front View

Scope of supply

---

two ETAGON rails in stainless steel, waste fitting with space-saving pipe, 3 1/2" InFino™ basket strainer

## Design tips

---

Cabinet Width: 60 cm

Bowl depth: 190 mm

## Taps

---



BLANCO PANERA-S  
brushed steel  
BM3142SS



BLANCO CULINA-S Mini  
chrome  
BM4600CH



BLANCO CARENA-S Vario  
chrome  
BM3118CH



BLANCO SELECT XL 60/3  
BL467731

## Optional Accessories

---



Chopping board  
BL230700



Colander  
BL468096

BLANCO UK Limited

Tel: 01923 635200

Fax: 0800 0911608

➤ [www.blanco.co.uk](http://www.blanco.co.uk)