

## NOTICE

---

- \* Please make sure that you have all parts indicated and they are in good condition before you begin assembly of this item. Refer to part list and hardware list below for guidance.
- \* This item should be assembled on a soft surface to prevent scratching the finish during assembly.
- \* This item may require periodic tightening.
- \* If you are having difficulty, our friendly Customer Care team is always here to help. Please email \*

## PREPARATION

---

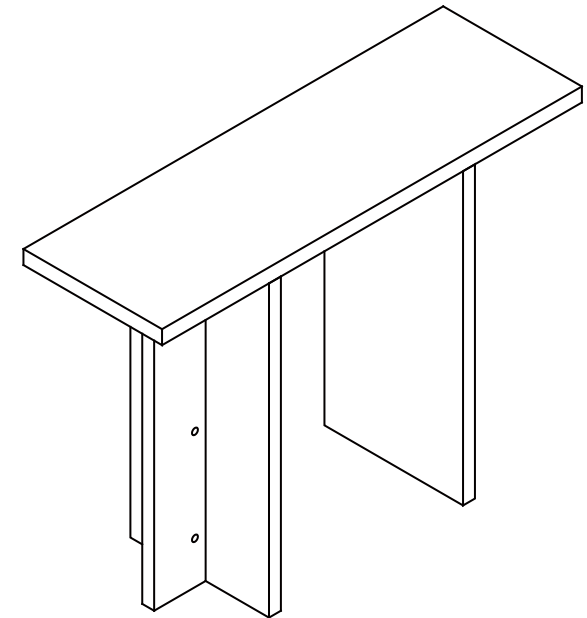
- \* Before beginning assembly of product, make sure all parts are present. Compare parts with part contents list and hardware contents list.
- \* If any part is missing or damaged, do not attempt to assemble the product.
- \* Estimated Assembly Time: 30 minutes.
- \* Tools Required for Assembly Required: Phillips Screwdriver.

## CARE AND MAINTENANCE

---

- \* Always use felt pads under all articles to prevent discoloration or softening of the lacquer. Plastic and rubber bases on items can discolor wood. Wipe up spills immediately and avoid common hazards such as hot dishes, harsh solvents and abrasives. Cleaning should be done with a soft lint free cotton cloth dampened with water or furniture polish. On highly used surfaces we recommend applying a quality paste wax which should be used on a regular basis to provide additional protection from scratches and spills. How often you apply the wax depends on how much wear the furniture receives.

Item Dimension:41.73"Wx13.78"Dx29.92"H



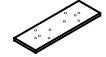






**WARNING**

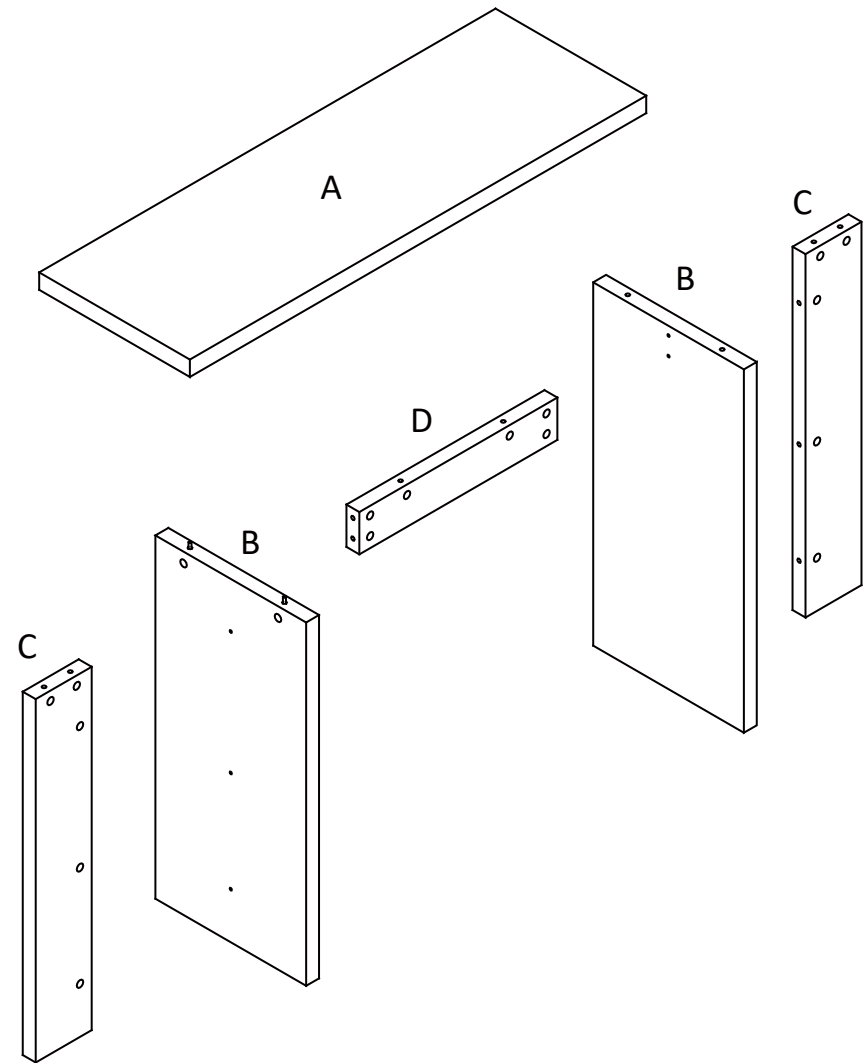
Weight Capacity-100LBS

Warning:Do not stand on Table

Warning:Do not over torque bolts.

### Part List and Hardware List

| PIECE | DESCRIPTION | PICTURE   | QUANTITY |
|-------|-------------|---|----------|
| A     | Top Panel   |  | 1X       |
| B     | Side Panel  |  | 2X       |
| C     | Side Panel  |  | 2X       |
| D     | Rali        |  | 1X       |
| HW1   | Cam Bolt    |  | 20X      |
| HW2   | Cam Bolt    |  | 20X      |
| HW3   | Sticker     |  | 20X      |



# PREPARATION

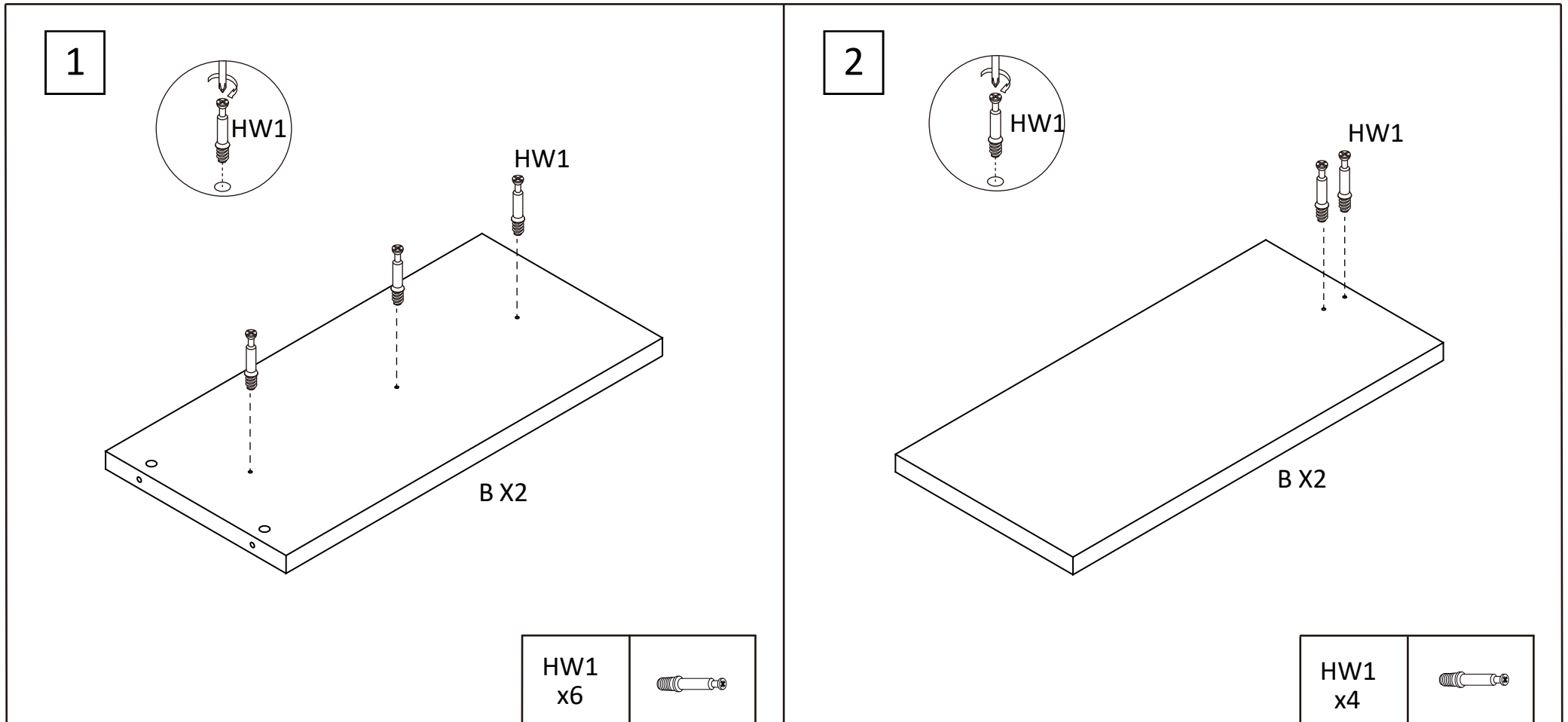
Before beginning assembly of product, make sure all parts are present. Compare parts with package contents list and hardware contents list.

If any part is missing or damaged, do not attempt to assemble the product.

Estimated Assembly Time: 30 minutes.

Tools Required for Assembly : Phillips Screwdriver. Phillips Screwdrivers are not included.

\* If you are having difficulty, our friendly Customer Care team is always here to help. Please email



STEP1:  
Insert 6x cam bolts (HW1) into panel [B]. Tighten with a screwdriver.

STEP2:  
Insert 4x cam bolts (HW1) into panel [B]. Tighten with a screwdriver.

# PREPARATION

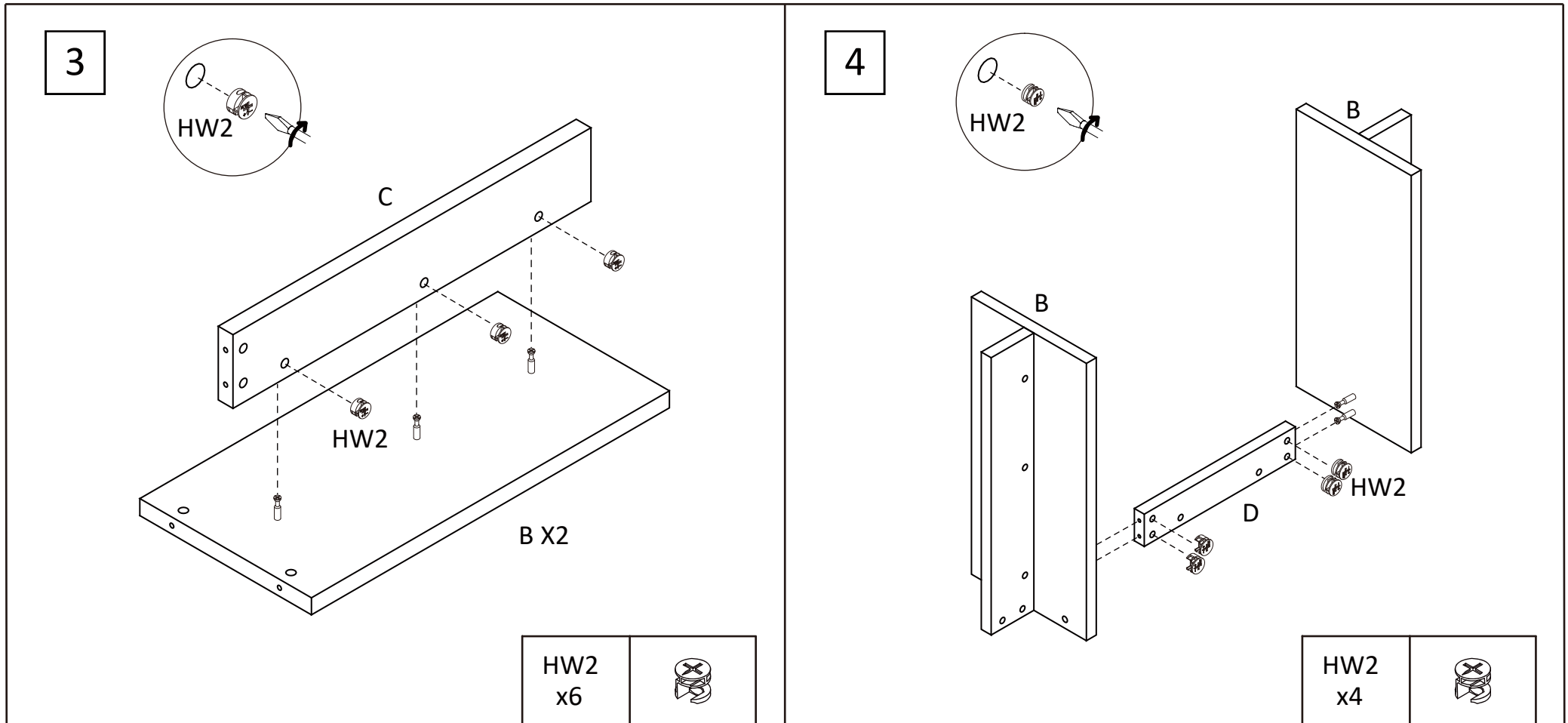
Before beginning assembly of product, make sure all parts are present. Compare parts with package contents list and hardware contents list.

If any part is missing or damaged, do not attempt to assemble the product.

Estimated Assembly Time: 30 minutes.

Tools Required for Assembly : Phillips Screwdriver. Phillips Screwdrivers are not included.

\* If you are having difficulty, our friendly Customer Care team is always here to help. Please email



## STEP3:

Attach panel [C] to panels [B] secure with 6x cam lock (HW2).

Tighten with a screwdriver.

## STEP4:

Attach panels [B] to panel [D] secure with 4x cam lock (HW2). Tighten with a screwdriver.

# PREPARATION

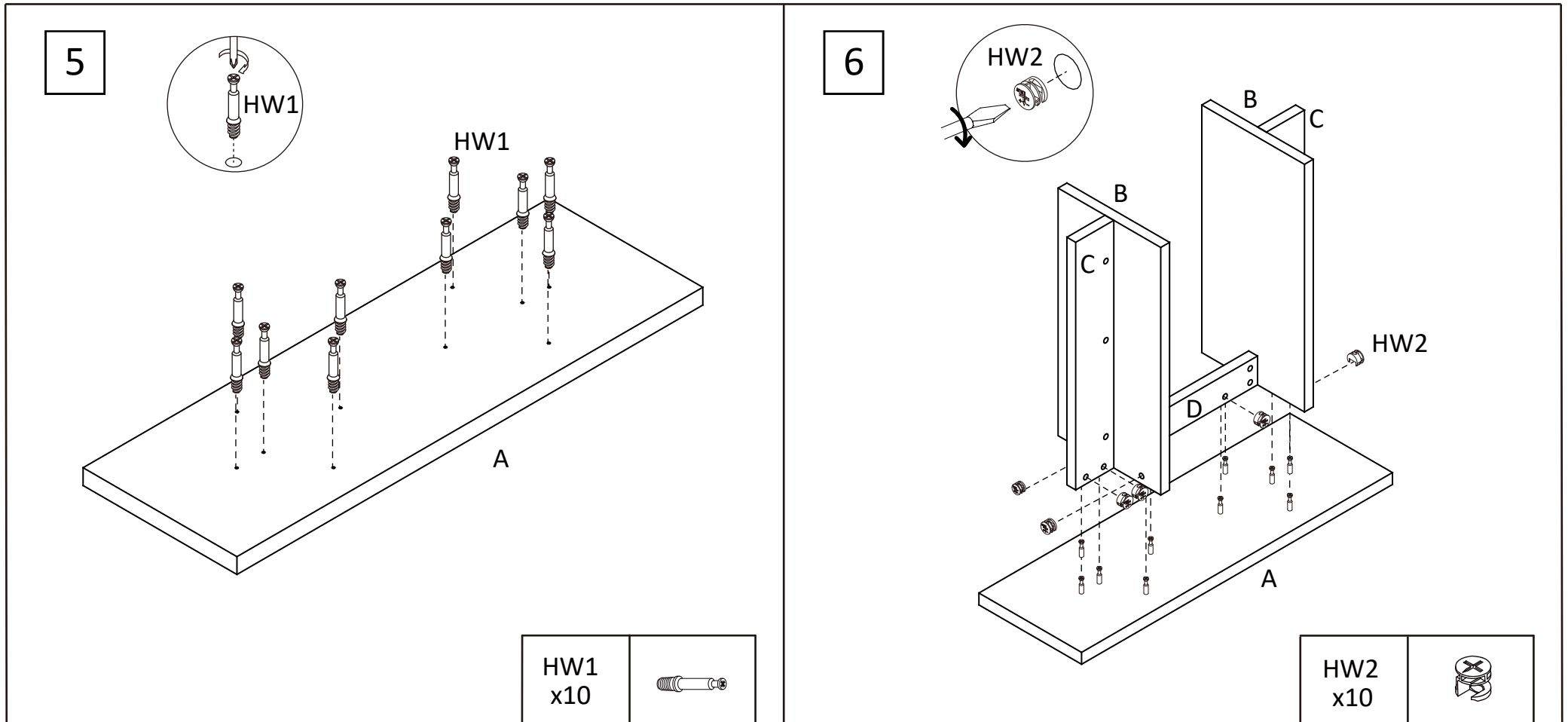
Before beginning assembly of product, make sure all parts are present. Compare parts with package contents list and hardware contents list.

If any part is missing or damaged, do not attempt to assemble the product.

Estimated Assembly Time: 30 minutes.

Tools Required for Assembly : Phillips Screwdriver. Phillips Screwdrivers are not included.

\* If you are having difficulty, our friendly Customer Care team is always here to help. Please email



STEP5:  
Insert 10x cam bolts (HW1) into panel [A]. Tighten with a screwdriver.

STEP6:  
Attach panels [B], [C] and [D] to panel [A] secure with 10x cam lock (HW2).  
Tighten with a screwdriver.

## PREPARATION

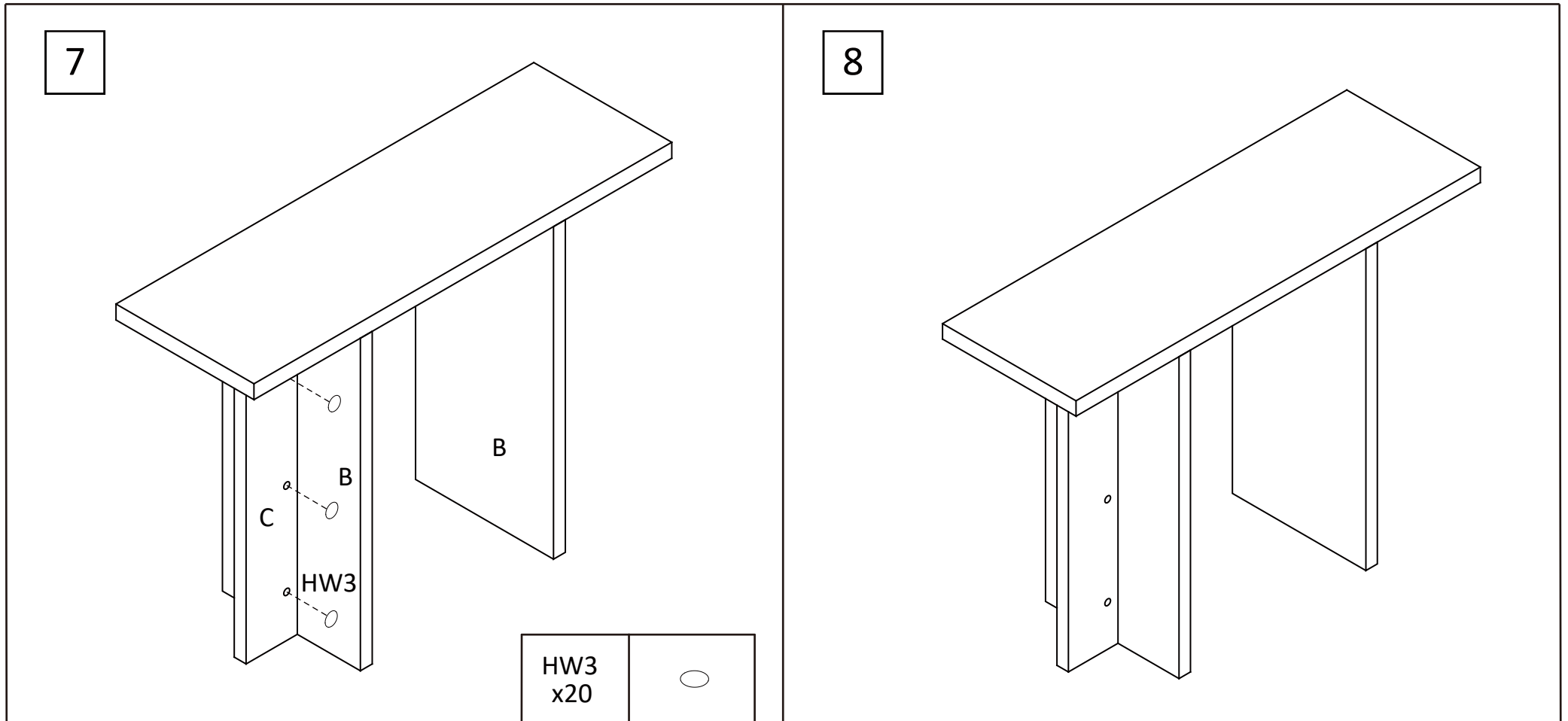
Before beginning assembly of product, make sure all parts are present. Compare parts with package contents list and hardware contents list.

If any part is missing or damaged, do not attempt to assemble the product.

Estimated Assembly Time: 30 minutes.

Tools Required for Assembly : Phillips Screwdriver. Phillips Screwdrivers are not included.

\* If you are having difficulty, our friendly Customer Care team is always here to help. Please email



STEP7:

Attach 20x stickers (HW3) to panels [B], [C] and [D].

STEP8:

You're done, enjoy!