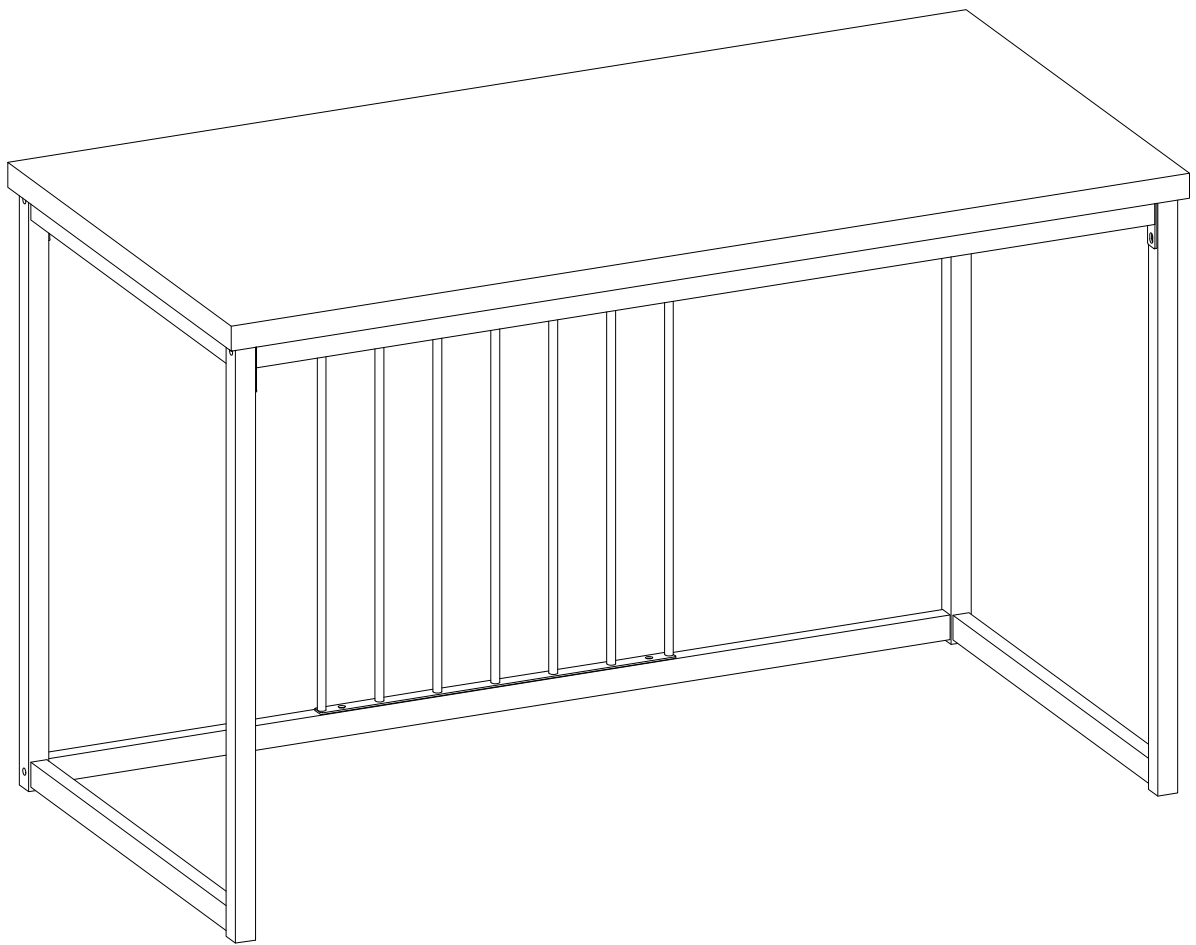
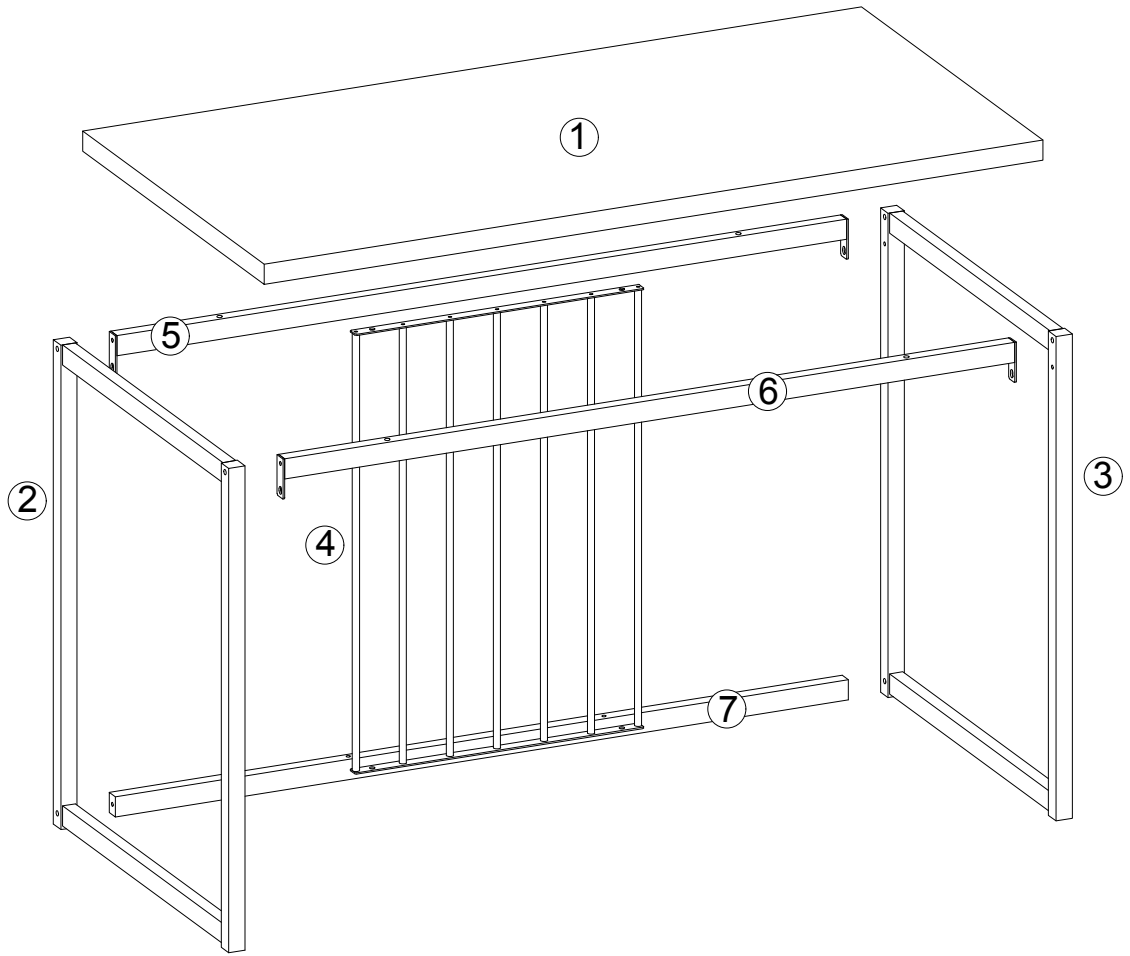
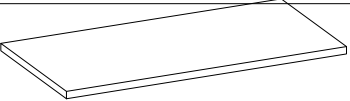
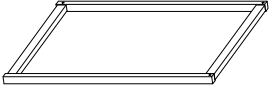
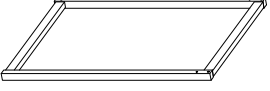

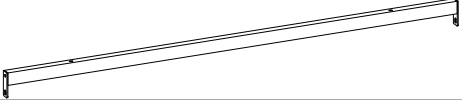
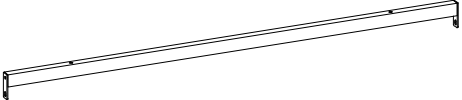
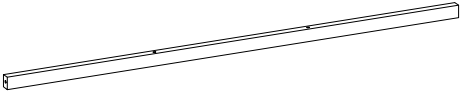


# ASSEMBLY INSTRUCTIONS







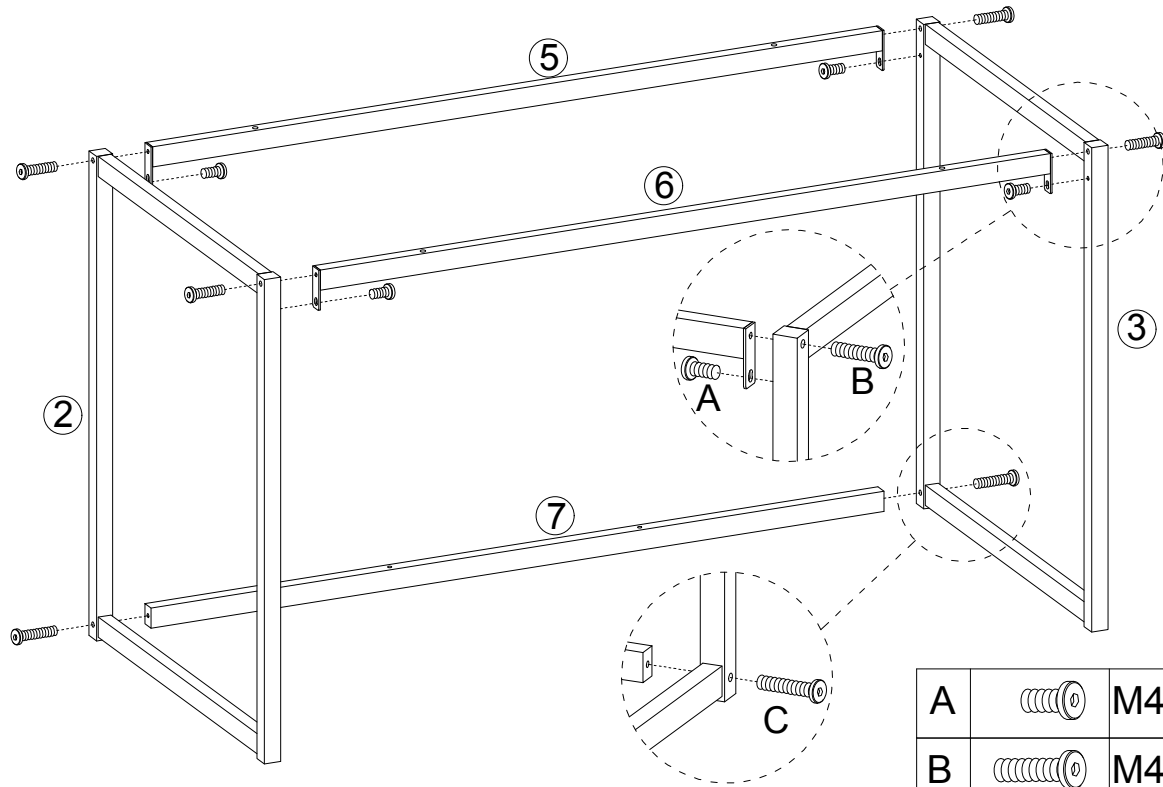
### Part List

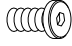
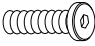
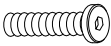
①		×1
②		×1
③		×1
④		×1
⑤		×1
⑥		×1
⑦		×1

### Hardware List

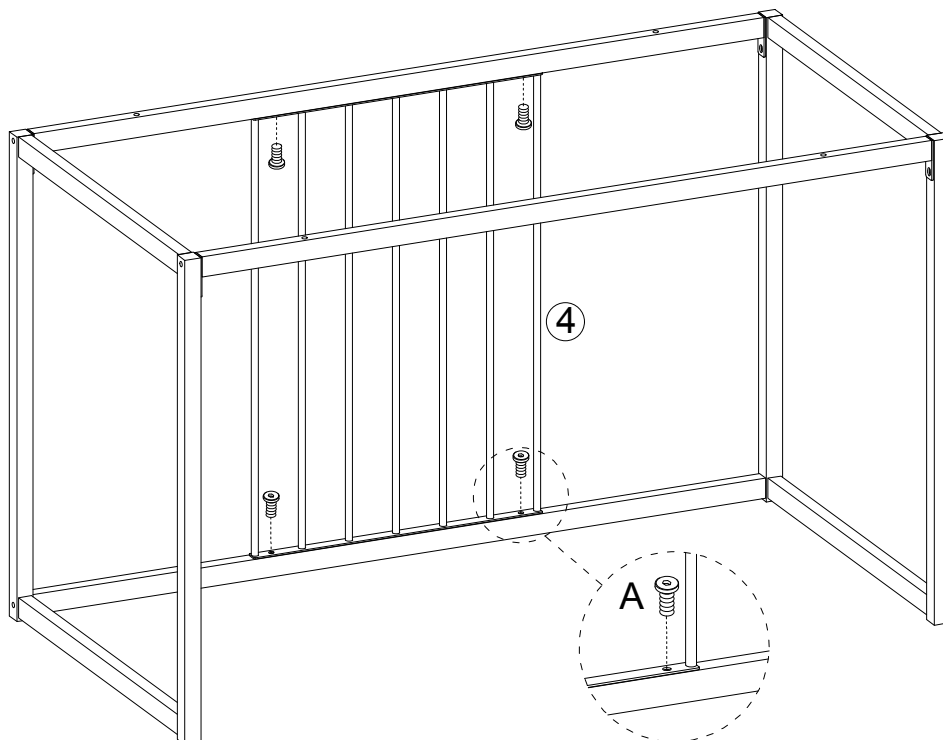
A		M4612	×8
B		M4635	×4
C		M4645	×6
D		Alkey4	×1

# STEP 1



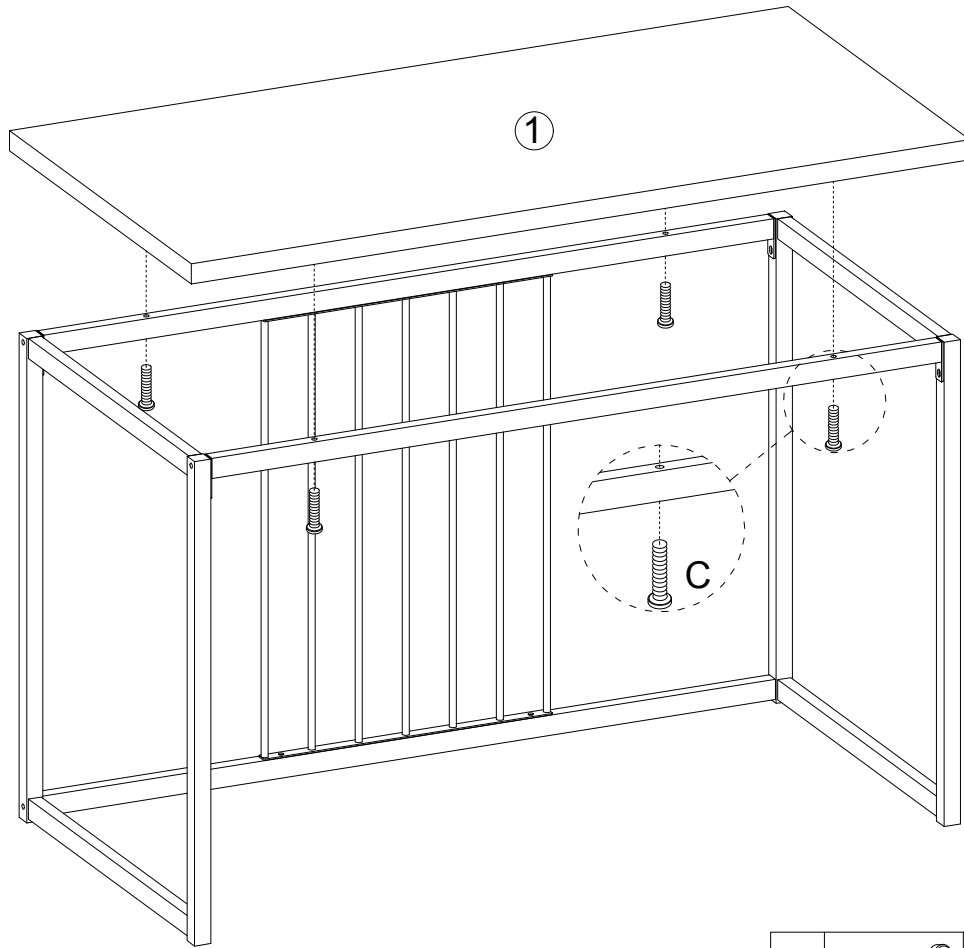
A		M4612 ×4
B		M4635 ×4
C		M4645 ×2

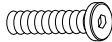
# STEP 2



A		M4612 ×4
---	---	----------

# STEP 3



C		M4645	×4
---	---	-------	----

# STEP 4

