

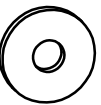
(H1) x 6 (M6x40)  
countersunk hex head  
wood screws



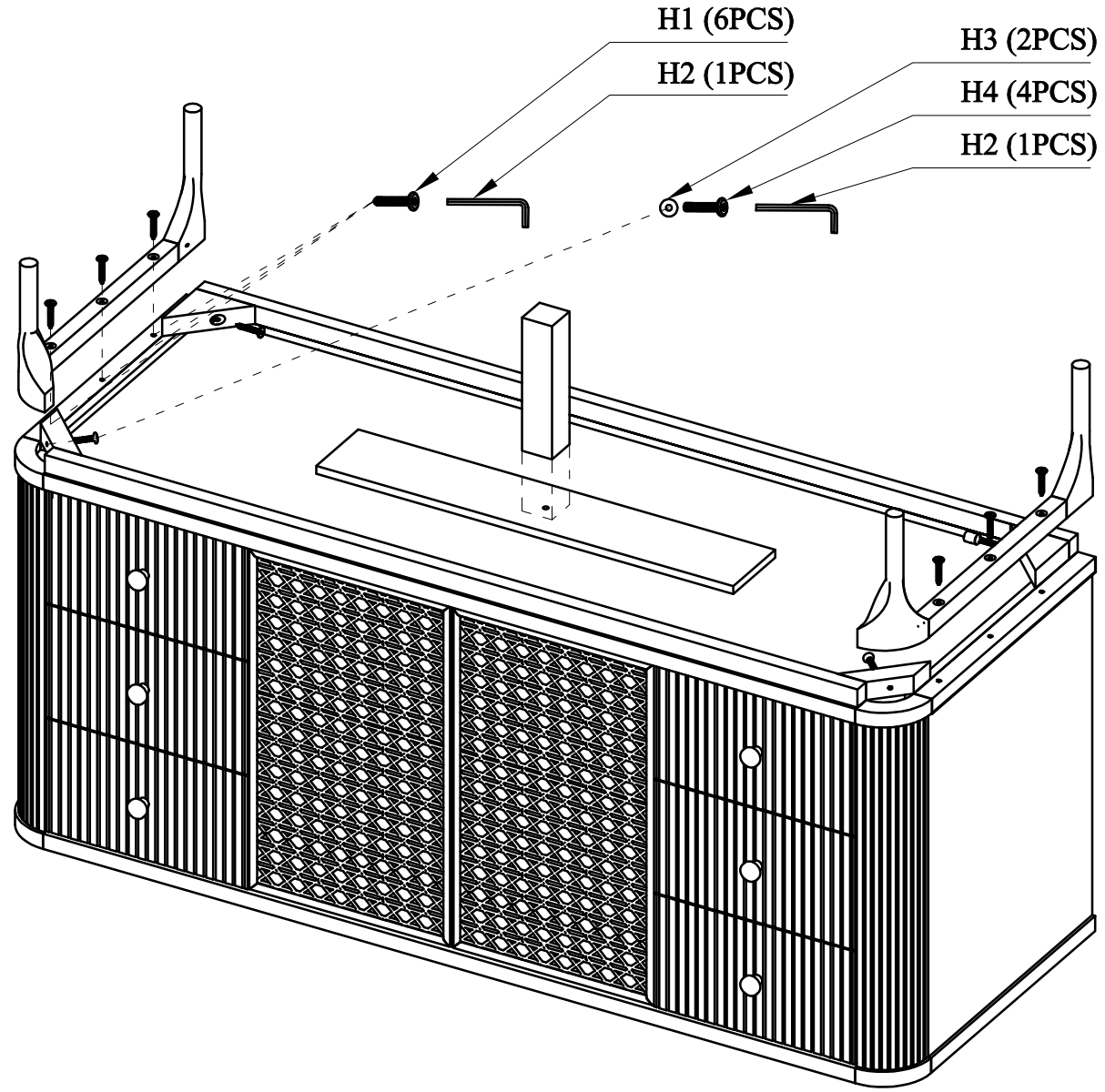
(H2) x 1  
Hexagon buckle



(H3) x 2  
iron lining



(H4) x 4 (M6x40)  
hexagon head bolt



Assembly instructions