

# *ASSEMBLY INSTRUCTIONS*



*Fine Furniture for every stage of life*

**Queen Bed**

# ASSEMBLY INSTRUCTIONS

## ASSEMBLY TIPS:

1. Remove hardware from box and sort by size.
2. Please check to see that all hardware and parts are present prior to start of assembly.
3. Please follow attached instructions in the same sequence as numbered to assure fast & easy assembly.



### WARNING!

1. Don't attempt to repair or modify parts that are broken or defective. Please contact the store immediately.
2. This product is for home use only and not intended for commercial establishments.



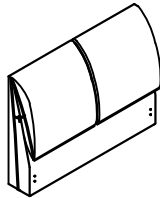
ASSEMBLY TIME

30 MINUTES

## PARTS IDENTIFICATION

### B1 (BOX1)

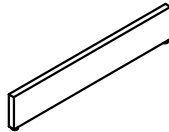
AN HEADBOARD



1PC

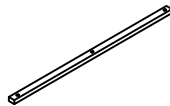
### B2 (BOX2)

BN FOOTBOARD



1PC

DN CENTER RAIL



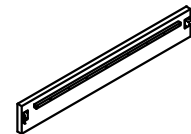
1PC

FN CENTER RAIL SUPPORT  
WITH LEVELER



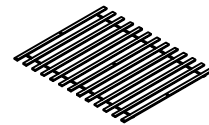
3PCS

CN BED RAIL



2PCS

EN ROLL SLAT  
(13PCS)

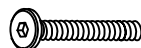


1SET

## HARDWARE IDENTIFICATION

Z-B2 (BOX2) - HARDWARE PACK IS LOCATED IN 306040Q(B2)

1 BOLT  
(Ø5/16"x38mm - RBW)



8PCS

2 FLAT WASHER  
(Ø5/16" - RBW)



8PCS

3 LOCK WASHER  
(Ø5/16" - RBW)



8PCS

4 PAN HEAD SCREW  
(M4 x 30mm - RBW)



8PCS

5 ALLEN WRENCH  
(5mm - RBW)



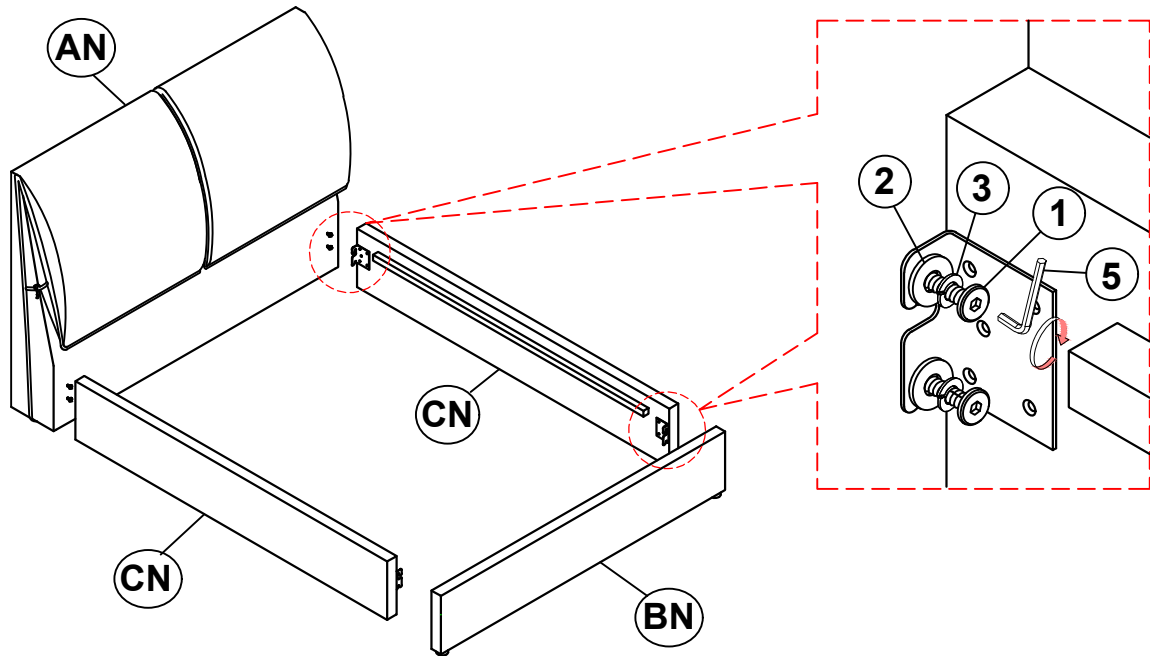
1PC

### NOTE:

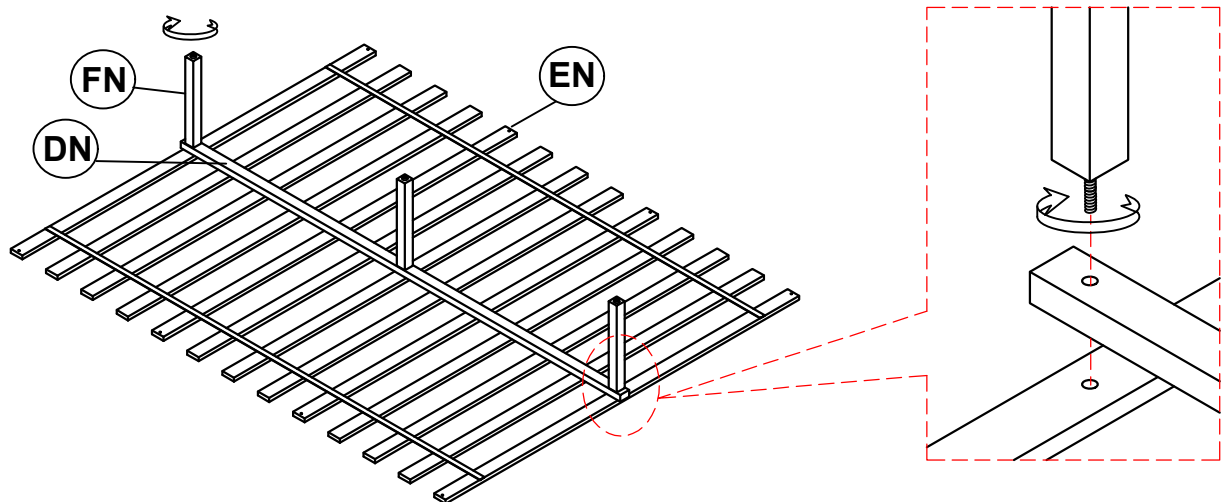
Phillips head screw driver is required in the assembly process; however, manufacturer does not provide this item.

# ASSEMBLY INSTRUCTIONS

## STEP 1

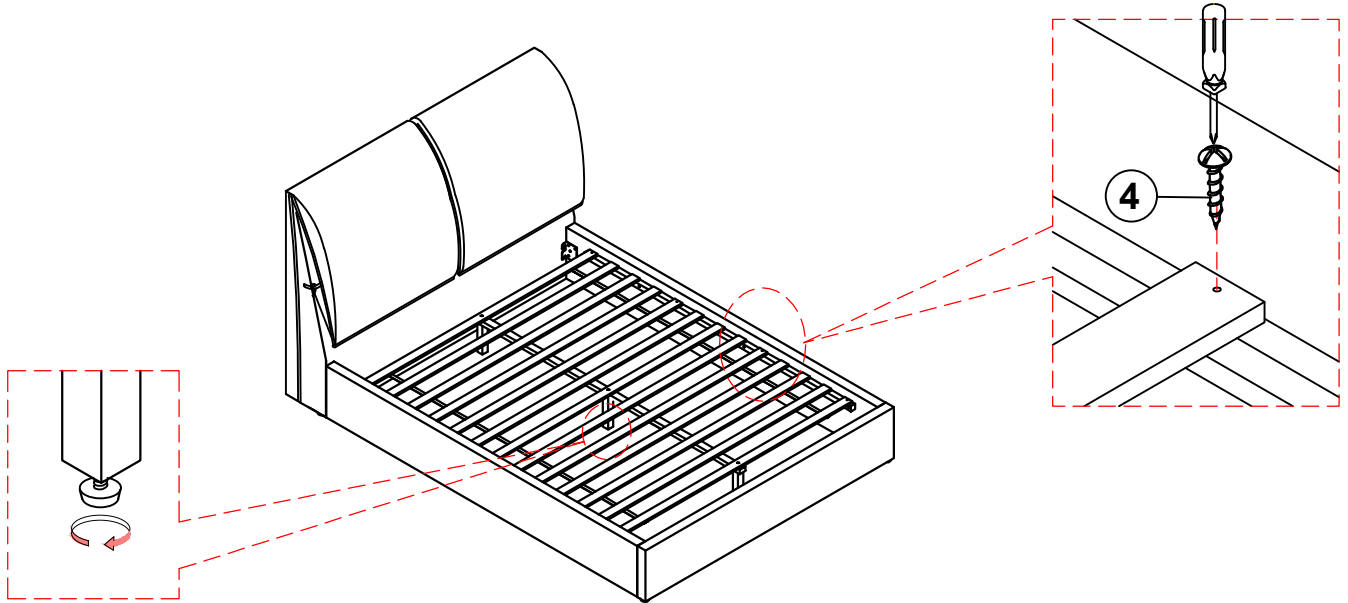


## STEP 2

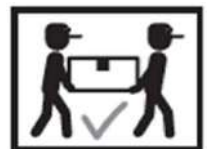
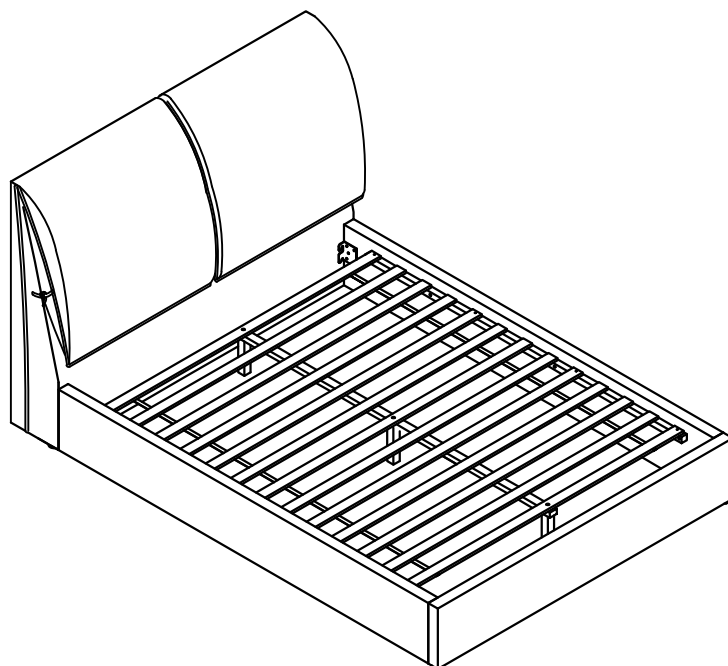


# ASSEMBLY INSTRUCTIONS

## STEP 3



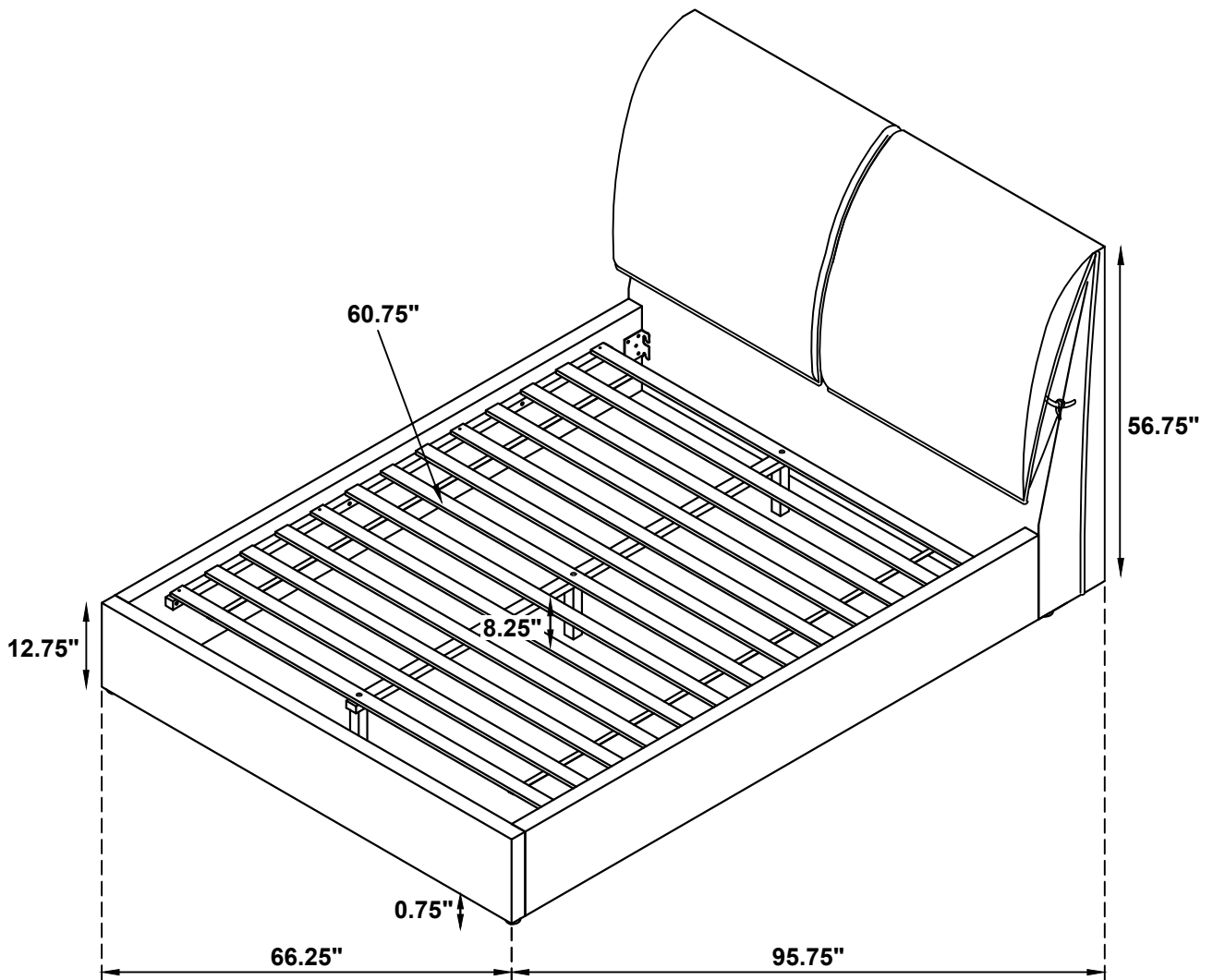
## STEP 4 COMPLETE



ITEM: 306040Q(B1&B2)



Inner Size: 61.00"W X 81.25"D



Note: Dimension tolerance  $\pm 5\%$