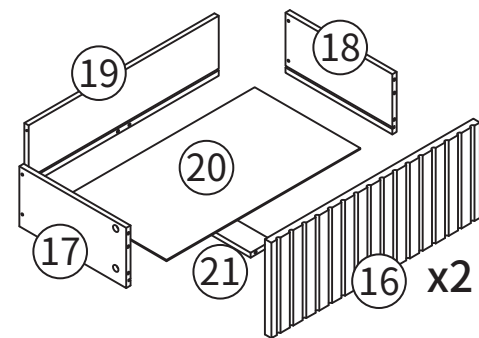
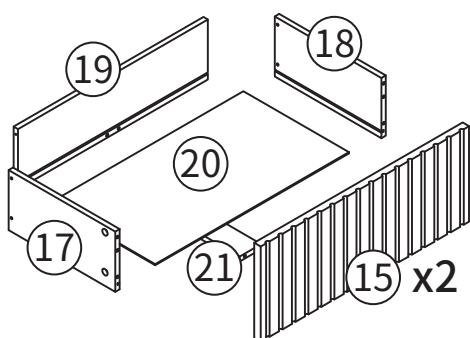
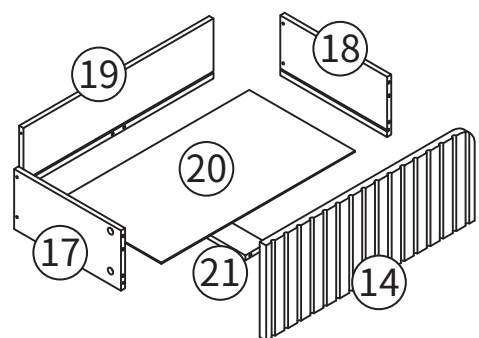
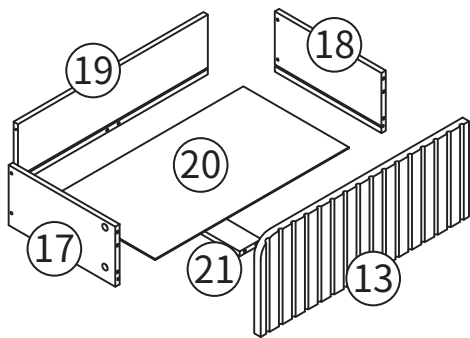
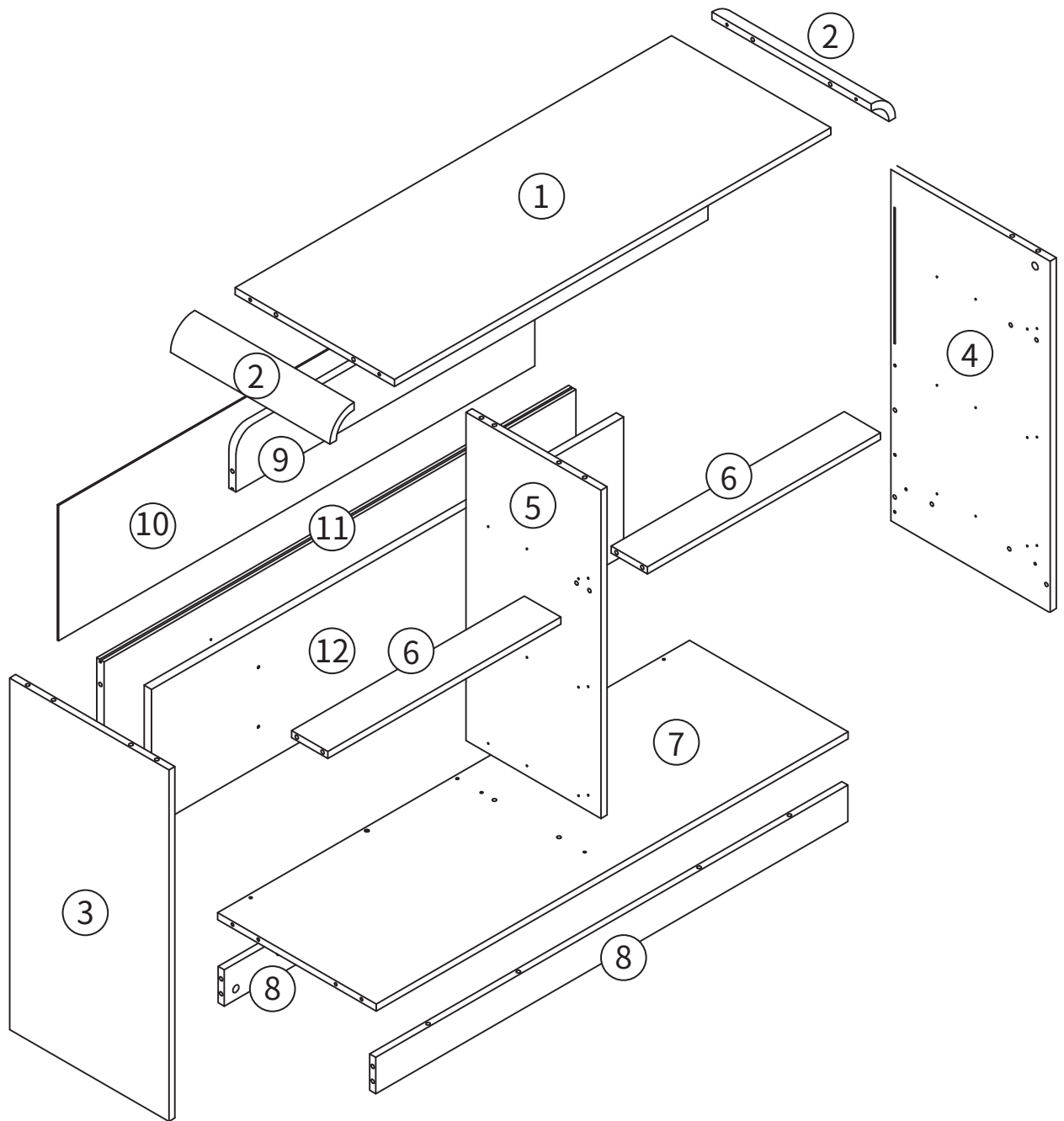


# STOP

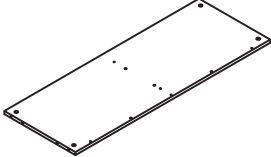
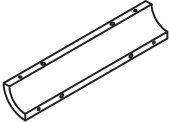
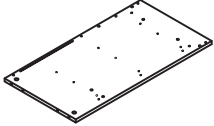
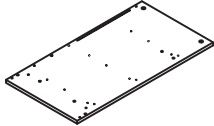
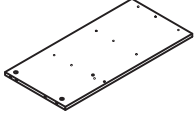
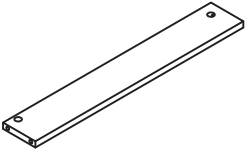
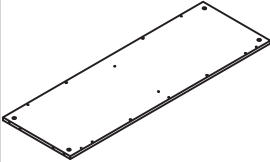
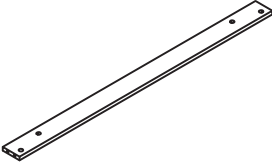
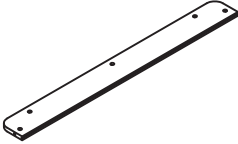
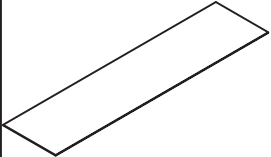
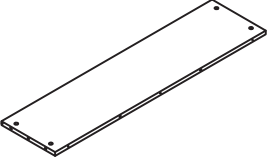
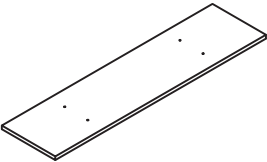
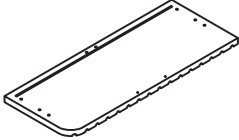
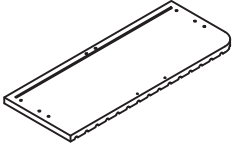
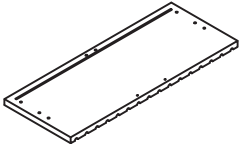
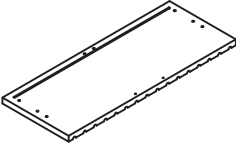
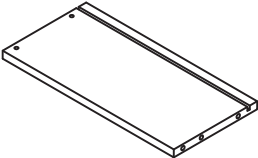
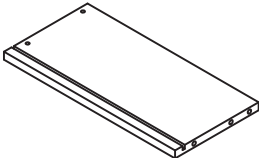
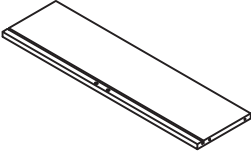
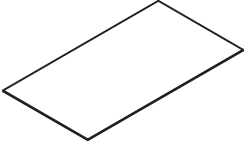
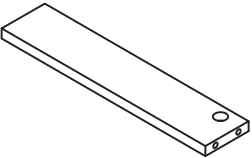
**MISSING A PART?  
CALL US BEFORE GOING  
BACK TO THE STORE**

**Please have the following information ready when you contact us,  
so we can assist you promptly.**

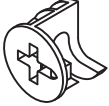
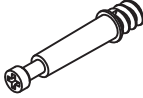
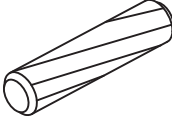



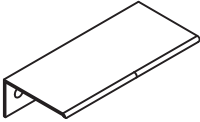


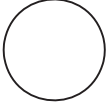
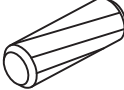

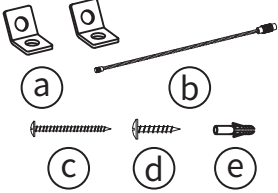
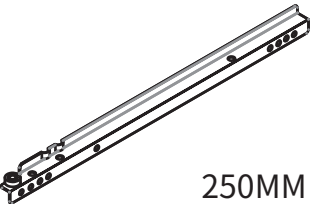
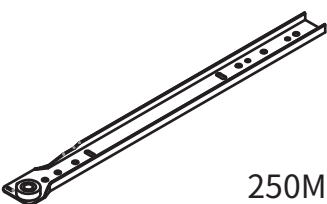
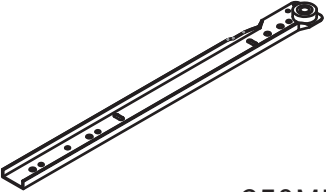
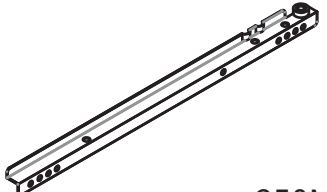
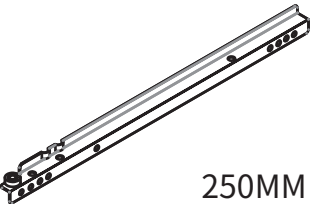
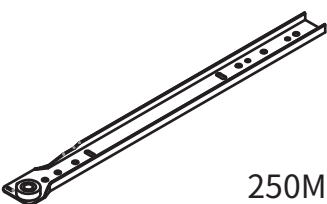
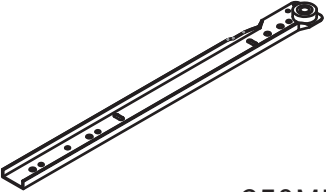
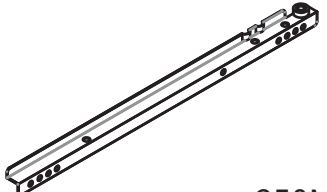
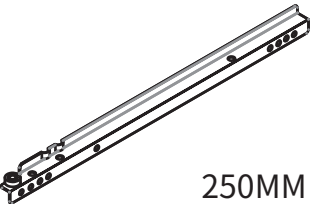
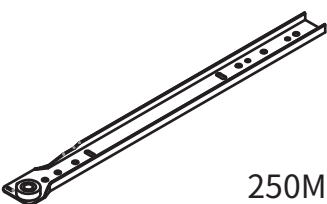
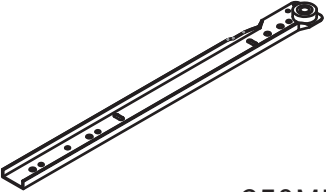
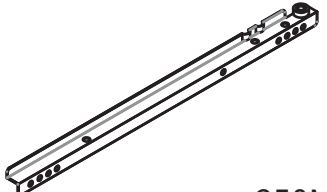
- Order number or PO number ( you can find the info on your invoice, receipt or platform account).
- 
- The model number of the product ( printed on the package box ).
  - Description of the Read entire assembly manual,paying spart from the parts lispt.ecial attention to the important tips and safety information .
- 
- Ensure there are no missing pieces by first separating and identifying all parts.
  - Make sure to check packing material for small parts that may have fallen out during shipment.
  - Structures are not intended for public use.The Company does not warranty any of its residential structures subjected to commercial use such as:Daycare,Preschool,Nursery School,Recreational Park,or any similar Commercial Application.
  - This manual contains helpful information concerning assembly preparation,installation procedure



# PARTS

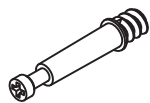
|   |   |   |  |   |
|---|---|---|--|---|
| <br>① x1   | <br>② x2   | <br>③ x1   | <br>④ x1   | <br>⑤ x1   |
| <br>⑥ x2   | <br>⑦ x1   | <br>⑧ x2   | <br>⑨ x1   | <br>⑩ x1   |
| <br>⑪ x1 | <br>⑫ x1 | <br>⑬ x1 | <br>⑭ x1 | <br>⑮ x2 |
| <br>⑯ x2 | <br>⑰ x6 | <br>⑱ x6 | <br>⑲ x6 | <br>⑳ x6 |
| <br>㉑ x6 |   |   |  |   |

# HARDWARE

|   |   |   |  |   |   |   |   |
|---|---|---|--|---|---|---|---|
| <p><b>A</b></p>  <p>x65+2</p>                | <p><b>B</b></p>  <p>x65+2</p>  | <p><b>C</b></p>  <p>φ6x30mm x58+2</p> | <p><b>D</b></p>  <p>x6+1</p>                      |   |   |   |   |
| <p><b>E</b></p>  <p>φ3x16mm x6+1</p>         | <p><b>F</b></p>  <p>φ4x30mm x34+2</p>  | <p><b>G</b></p>  <p>x6</p>            | <p><b>H</b></p>  <p>black<br/>φ3.5x12mm x81+2</p> |   |   |   |   |
| <p><b>I</b></p>  <p>x5</p>                 | <p><b>J</b></p>  <p>x39+2</p>  | <p><b>K</b></p>  <p>φ6x20mm x2</p>  | <p><b>L</b></p>  <p>φ3.5x12mm x12+1</p>         |   |   |   |   |
| <p><b>M</b></p>  <p>x2</p>                 | <table border="1"> <tr> <td data-bbox="496 1323 927 1626"> <p><b>DL</b></p>  <p>250MM<br/>DLx6PCS</p> </td> <td data-bbox="927 1323 1418 1626"> <p><b>CL</b></p>  <p>250MM<br/>CLx6PCS</p> </td> </tr> <tr> <td data-bbox="496 1626 927 1995"> <p><b>CR</b></p>  <p>250MM<br/>CRx6PCS</p> </td> <td data-bbox="927 1626 1418 1995"> <p><b>DR</b></p>  <p>250MM<br/>DRx6PCS</p> </td> </tr> </table> |   |  | <p><b>DL</b></p>  <p>250MM<br/>DLx6PCS</p> | <p><b>CL</b></p>  <p>250MM<br/>CLx6PCS</p> | <p><b>CR</b></p>  <p>250MM<br/>CRx6PCS</p> | <p><b>DR</b></p>  <p>250MM<br/>DRx6PCS</p> |
| <p><b>DL</b></p>  <p>250MM<br/>DLx6PCS</p> | <p><b>CL</b></p>  <p>250MM<br/>CLx6PCS</p>   |   |  |   |   |   |   |
| <p><b>CR</b></p>  <p>250MM<br/>CRx6PCS</p> | <p><b>DR</b></p>  <p>250MM<br/>DRx6PCS</p>   |   |  |   |   |   |   |

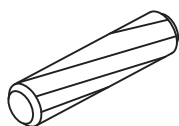
# STEP 1

B

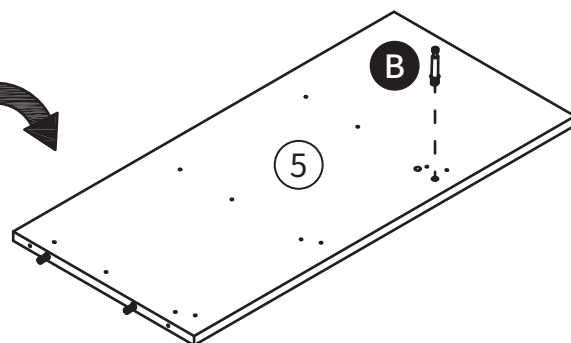
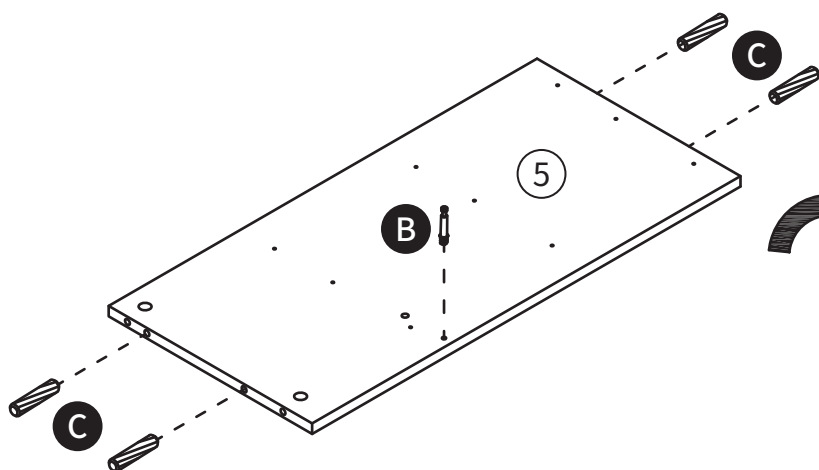
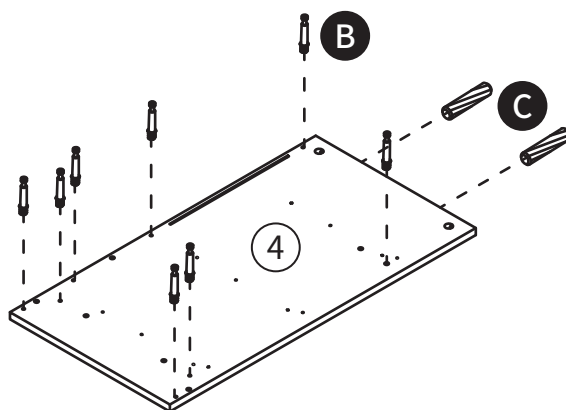
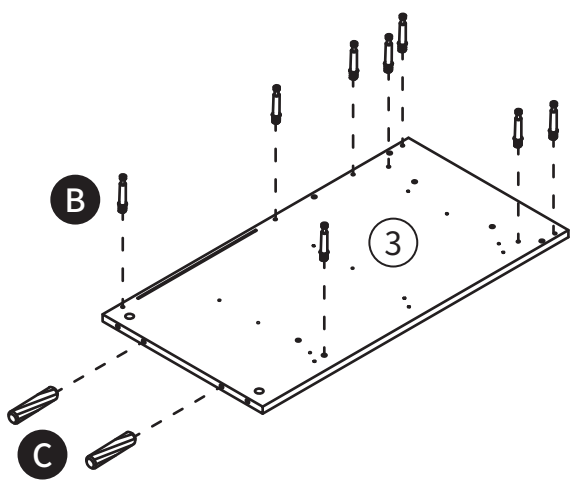
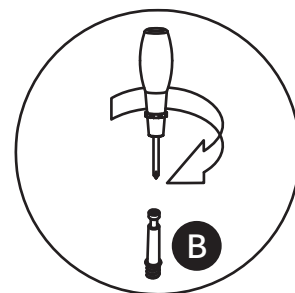
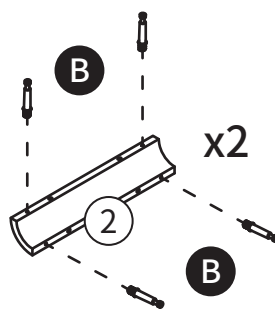
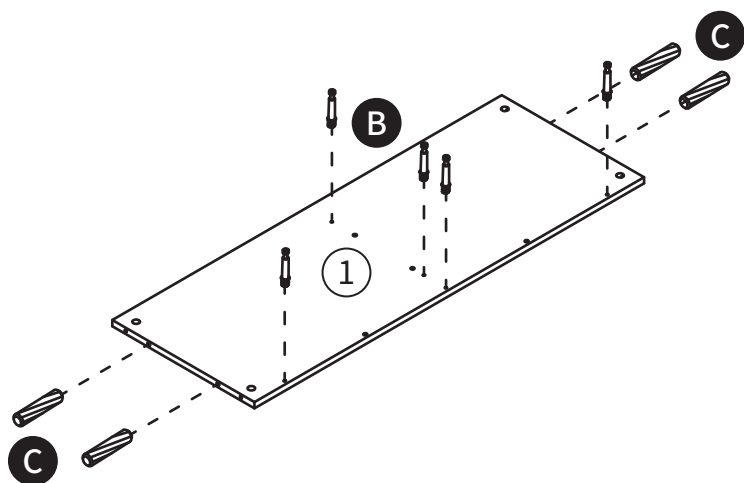


x31

C

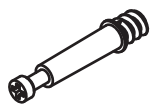


x12



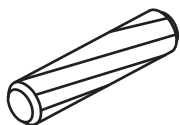
# STEP 2

B

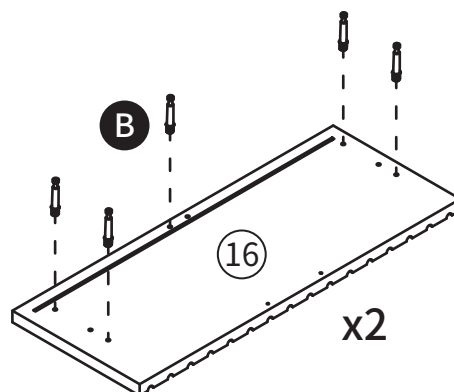
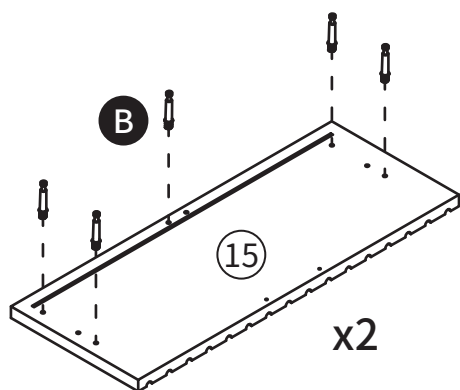
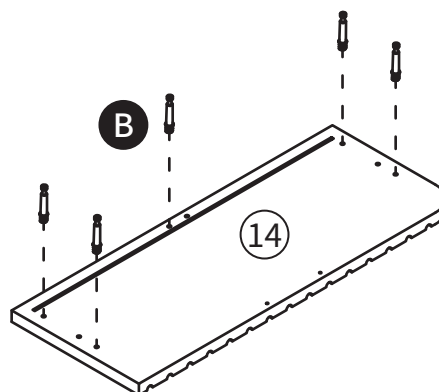
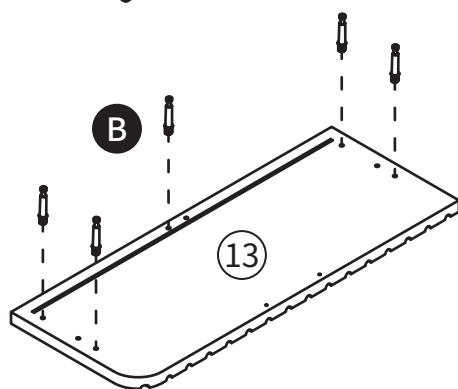
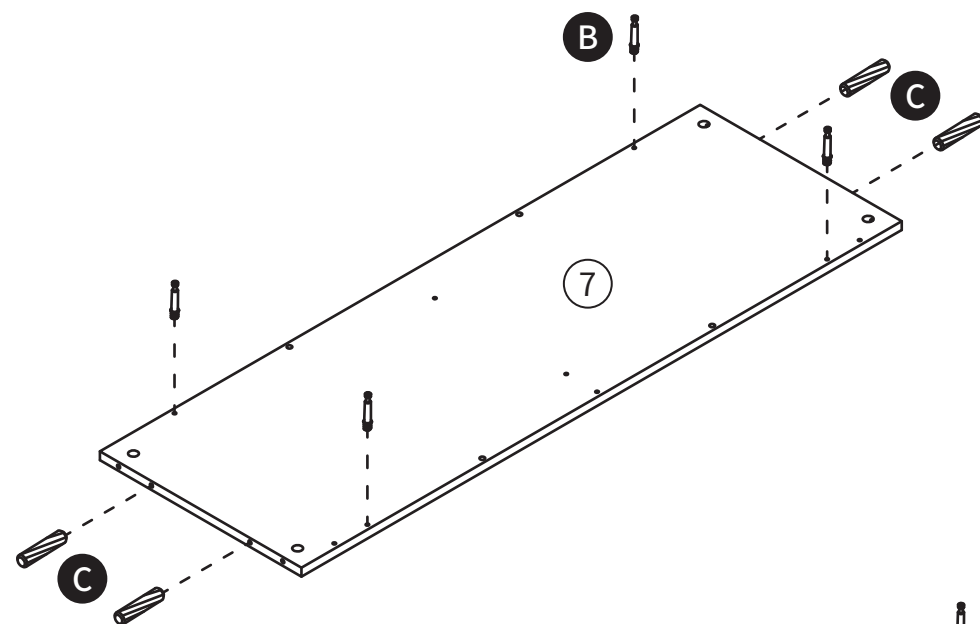


x34

C

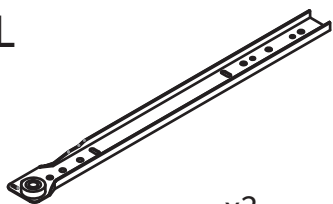


x4



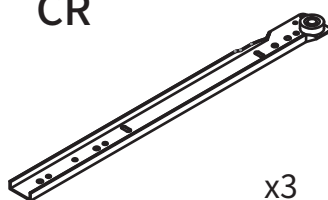
# STEP 3

CL



x3

CR



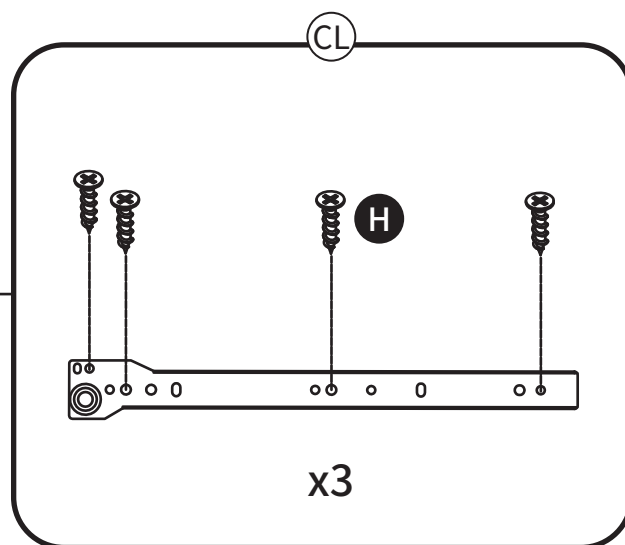
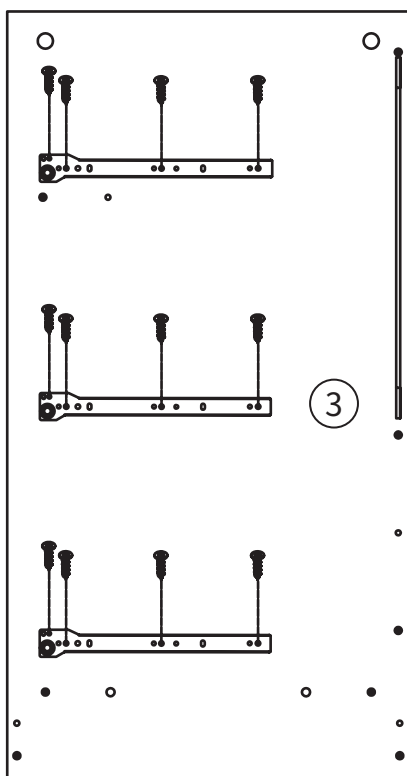
x3

H

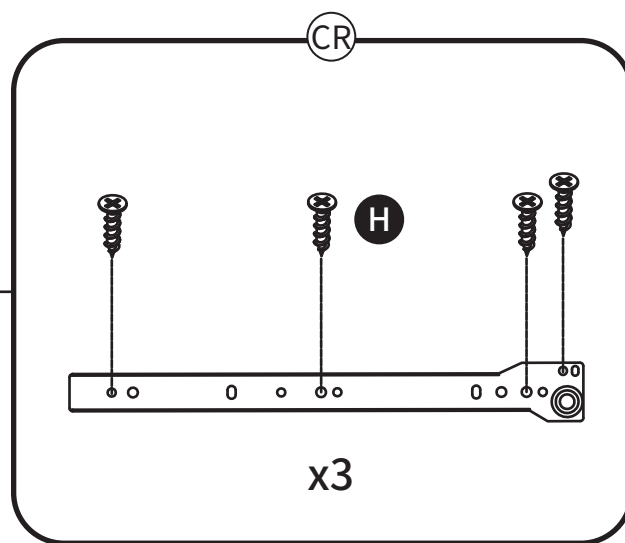
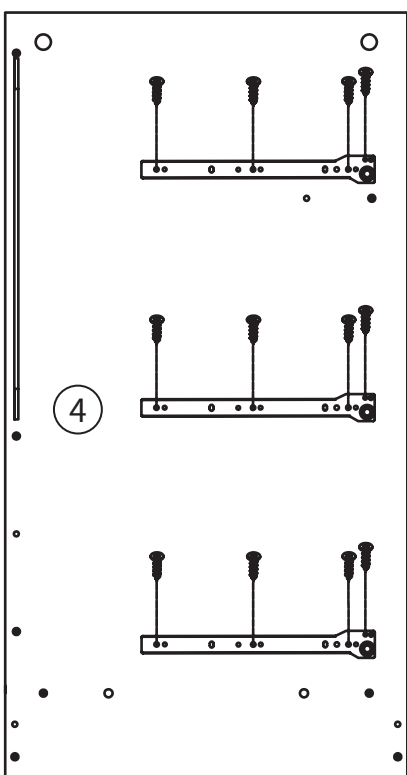


x24

CL

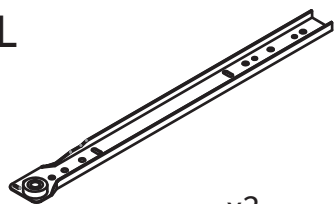


CR



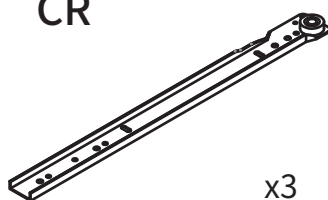
# STEP 4

CL



x3

CR



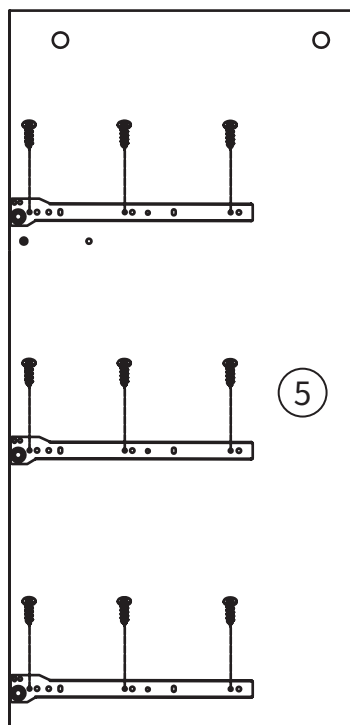
x3

H

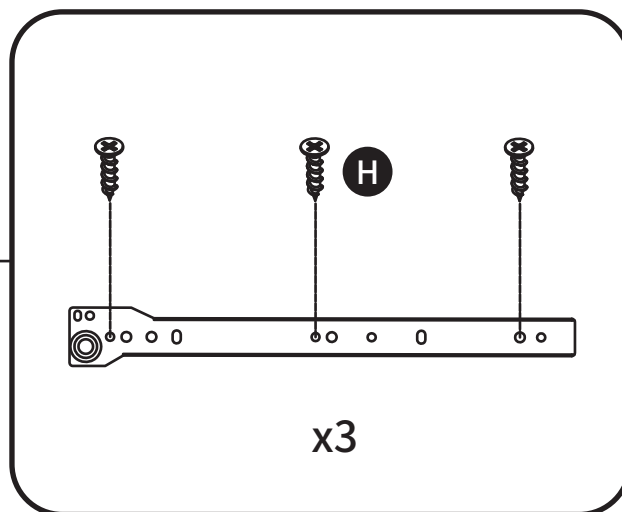


x21

CL



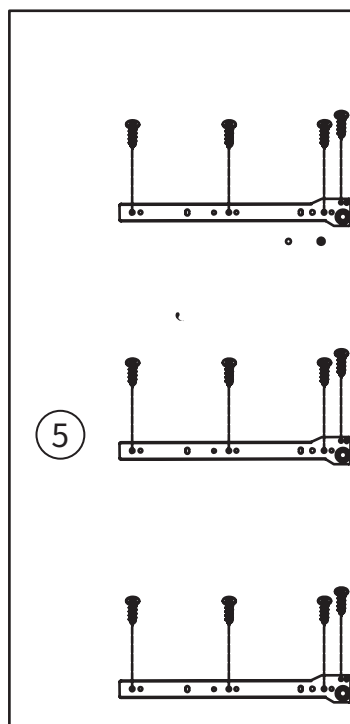
5



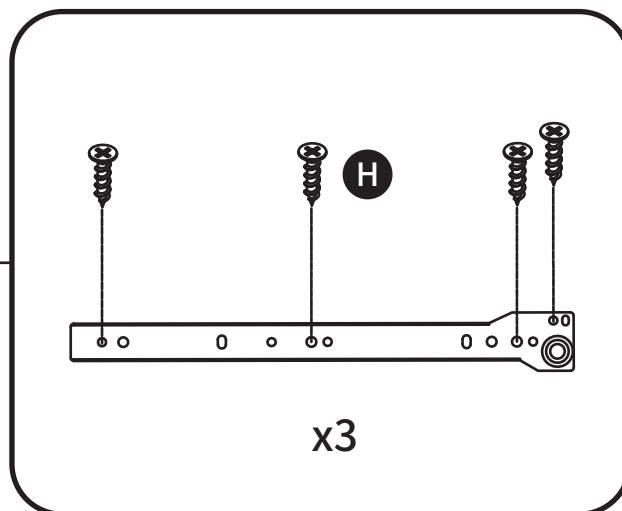
x3



CR



5



x3

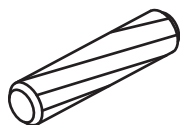
# STEP 5

F



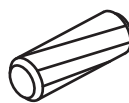
x4

C

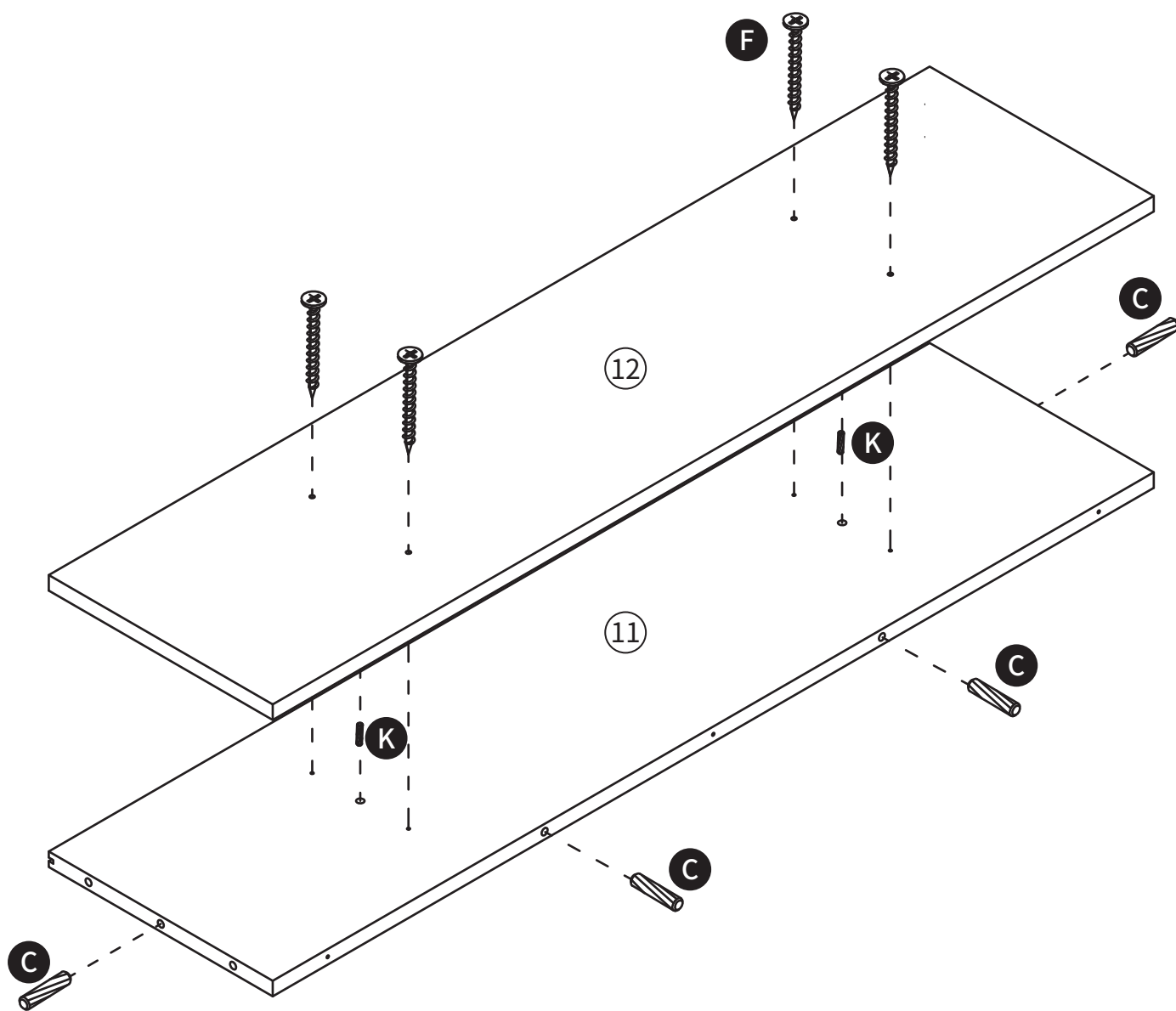


x4

K



x2

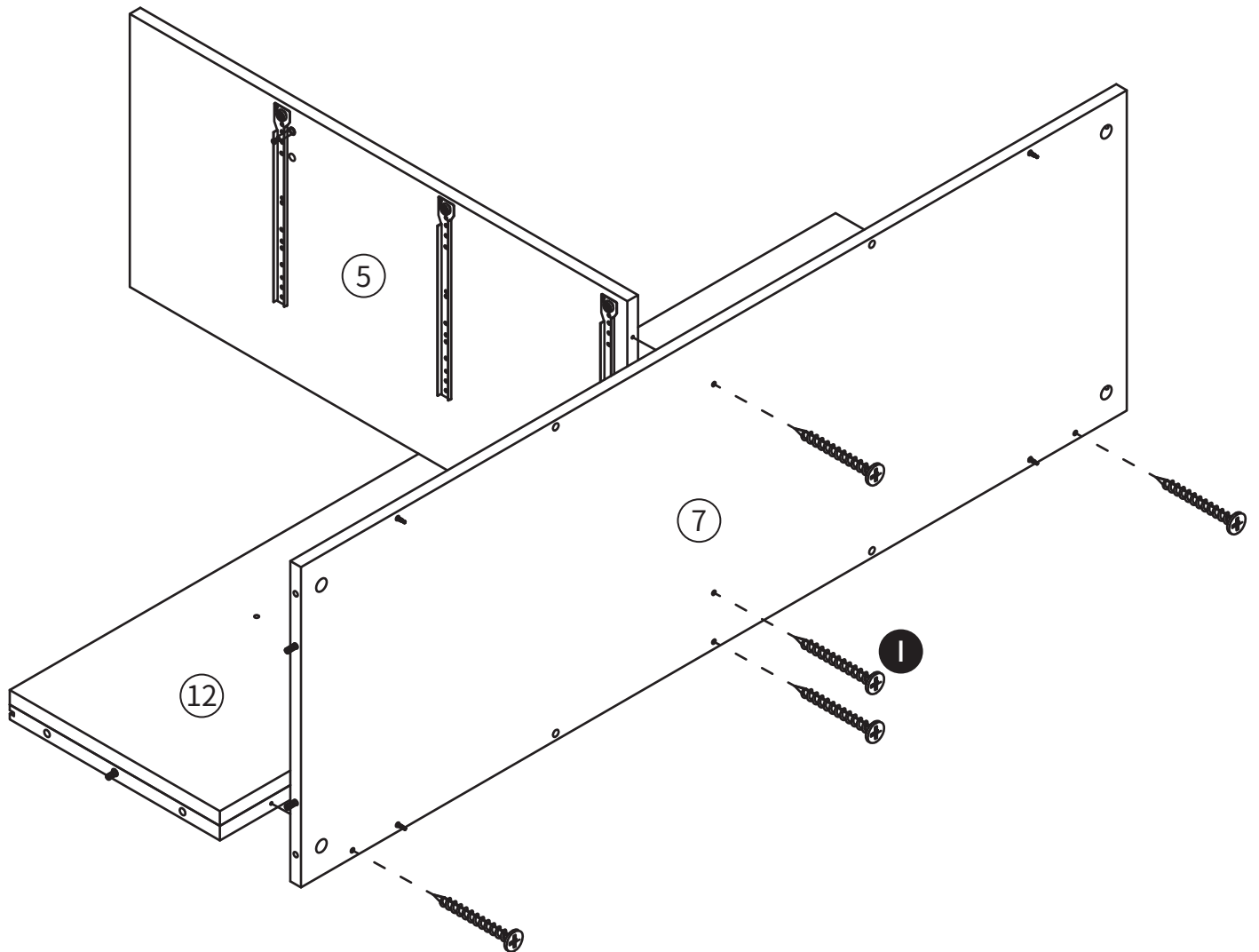


# STEP 6

I



x5



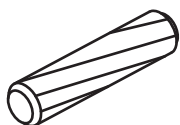
# STEP 7

A

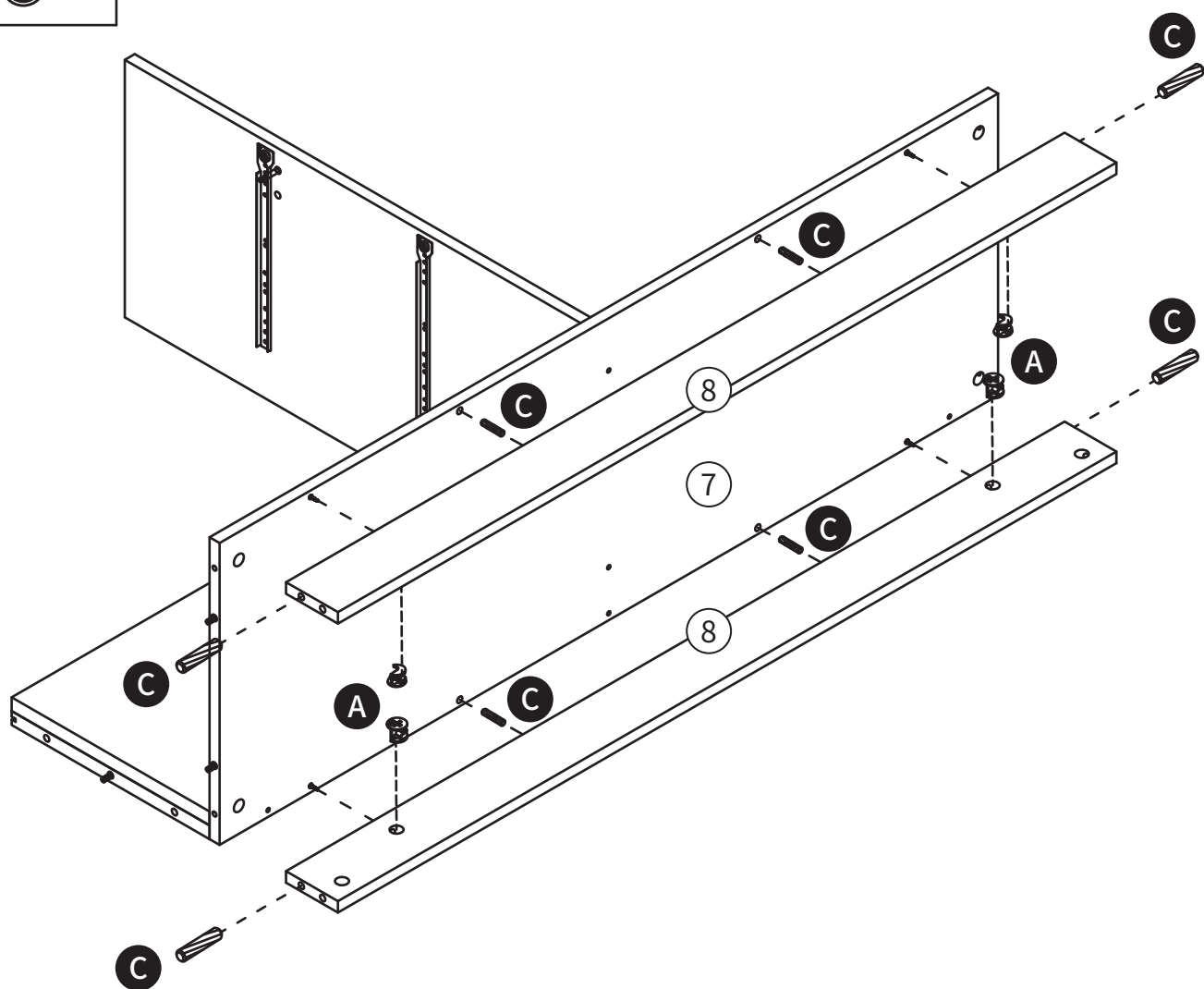
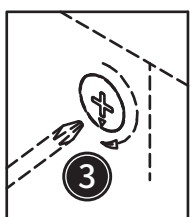
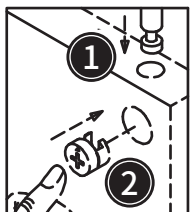


x4

C



x8



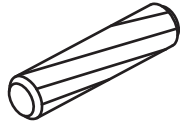
# STEP 8

A

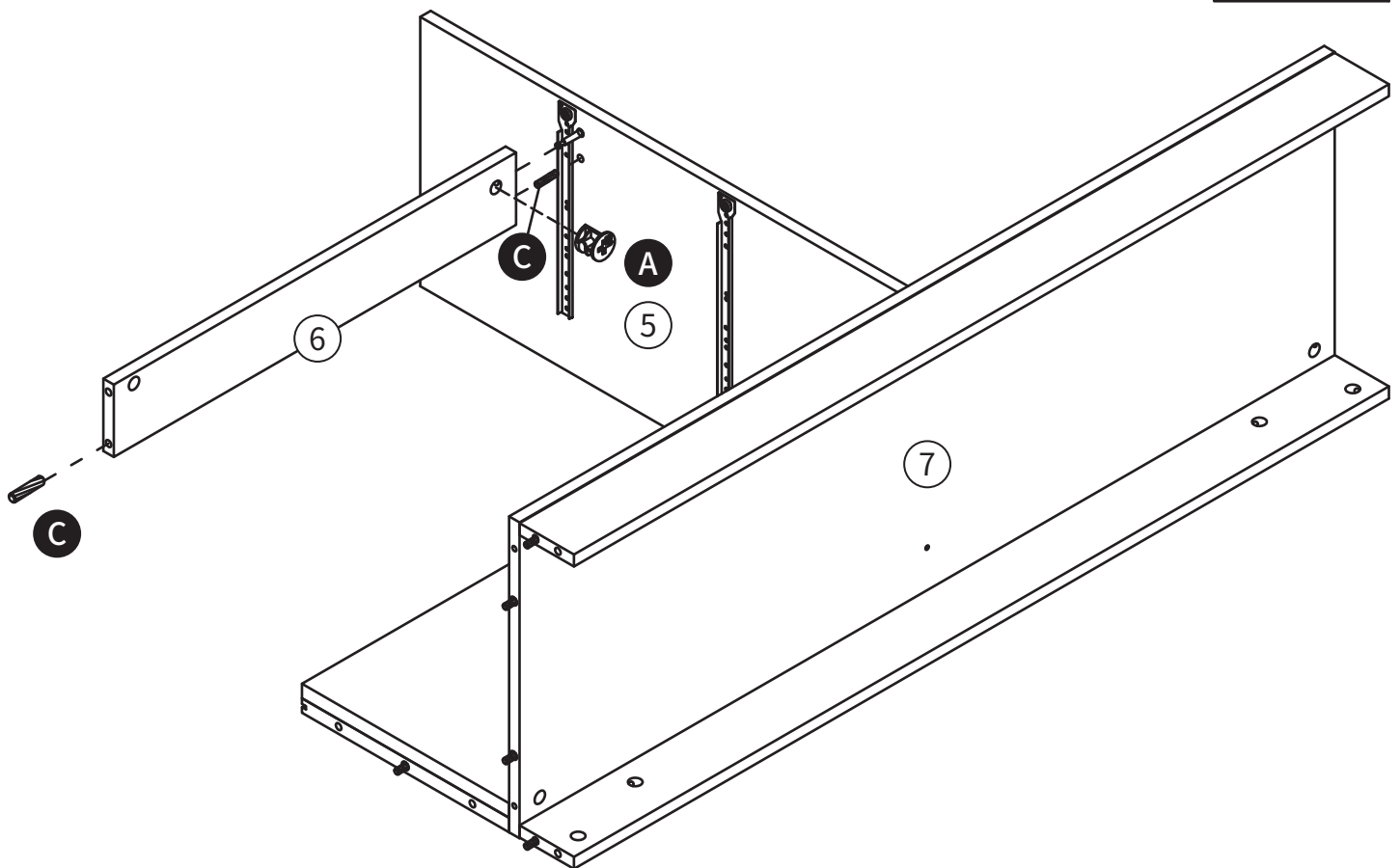
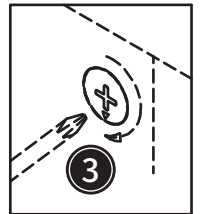
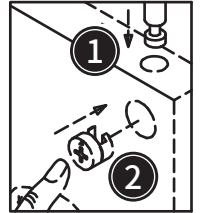


x1

C



x2



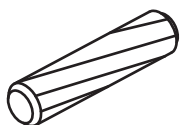
# STEP 9

A

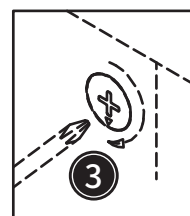
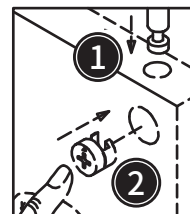
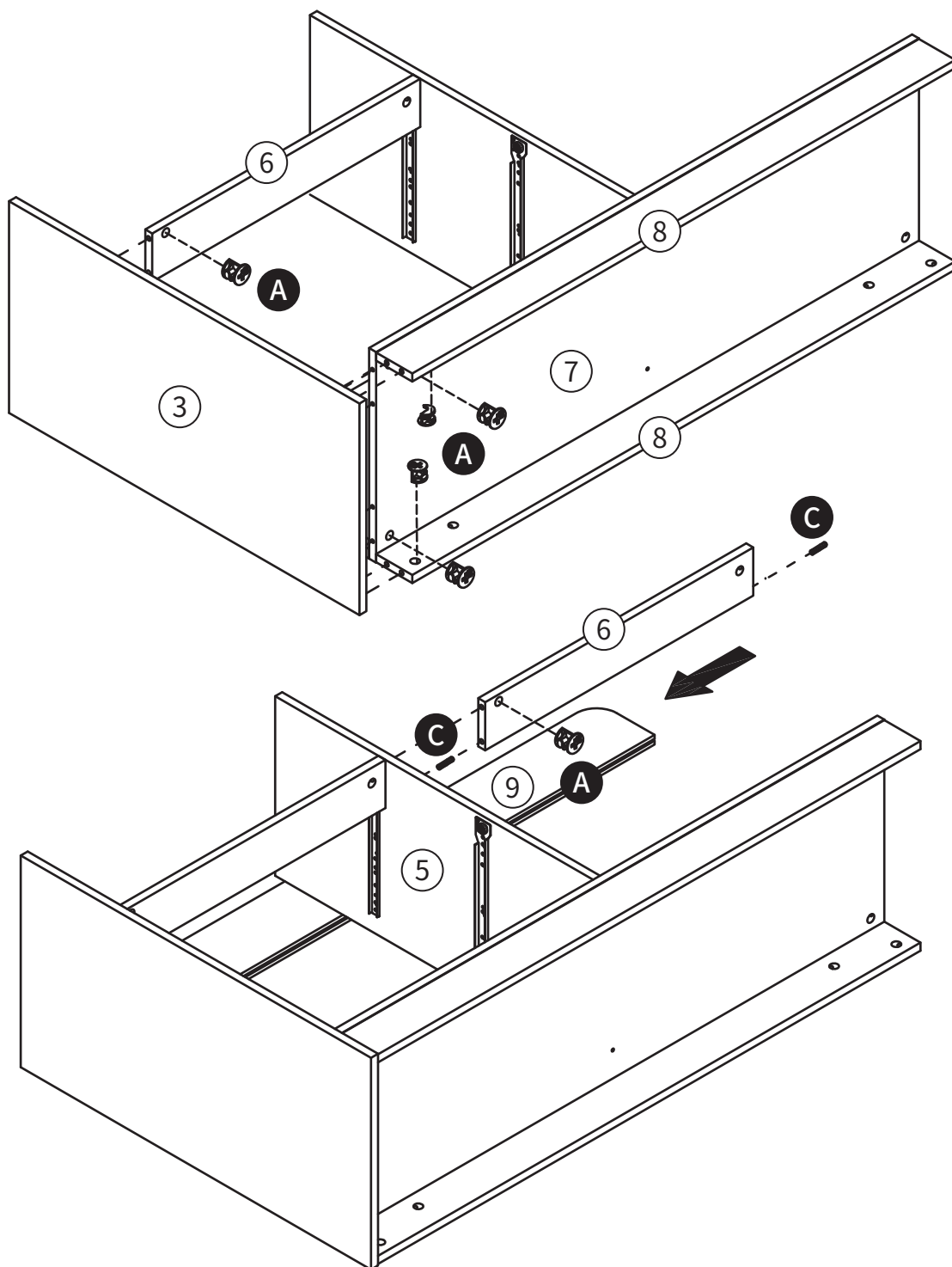


x6

C



x2

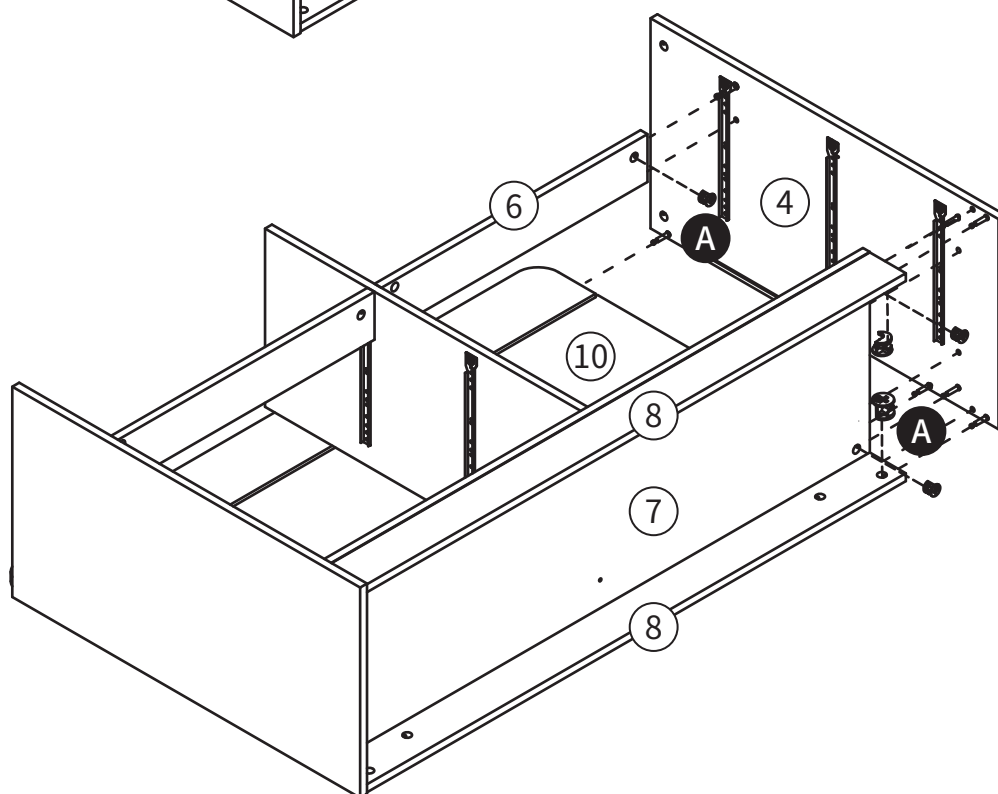
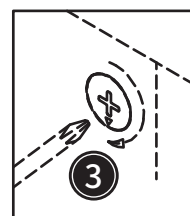
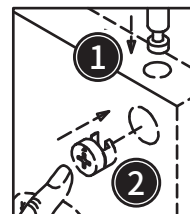
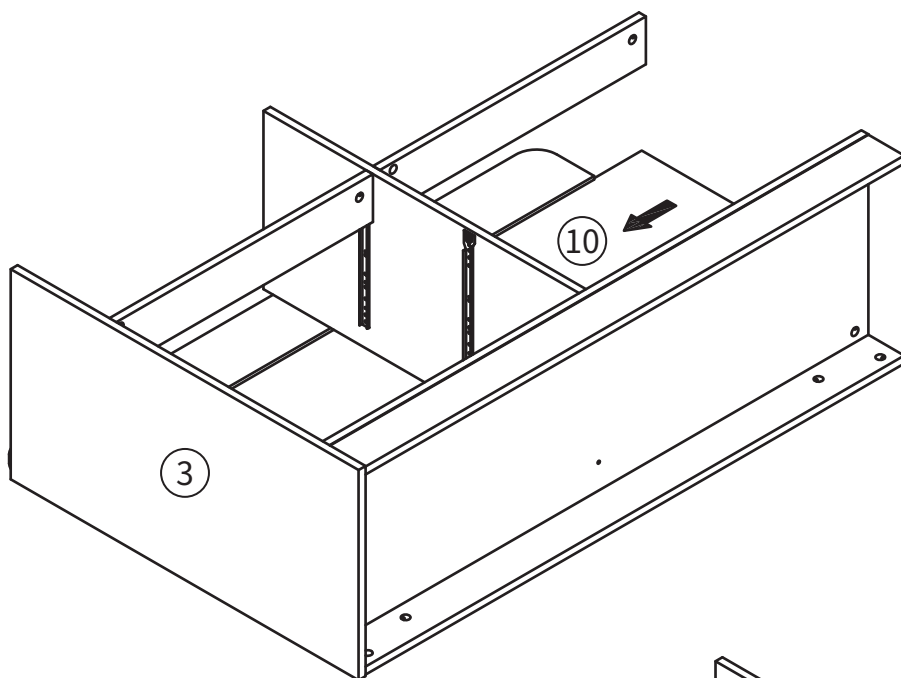


# STEP 10

A



x5



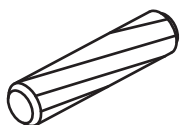
# STEP 11

A

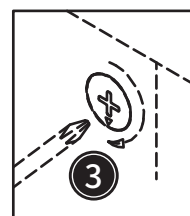
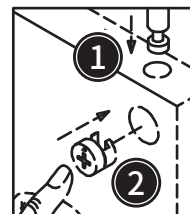
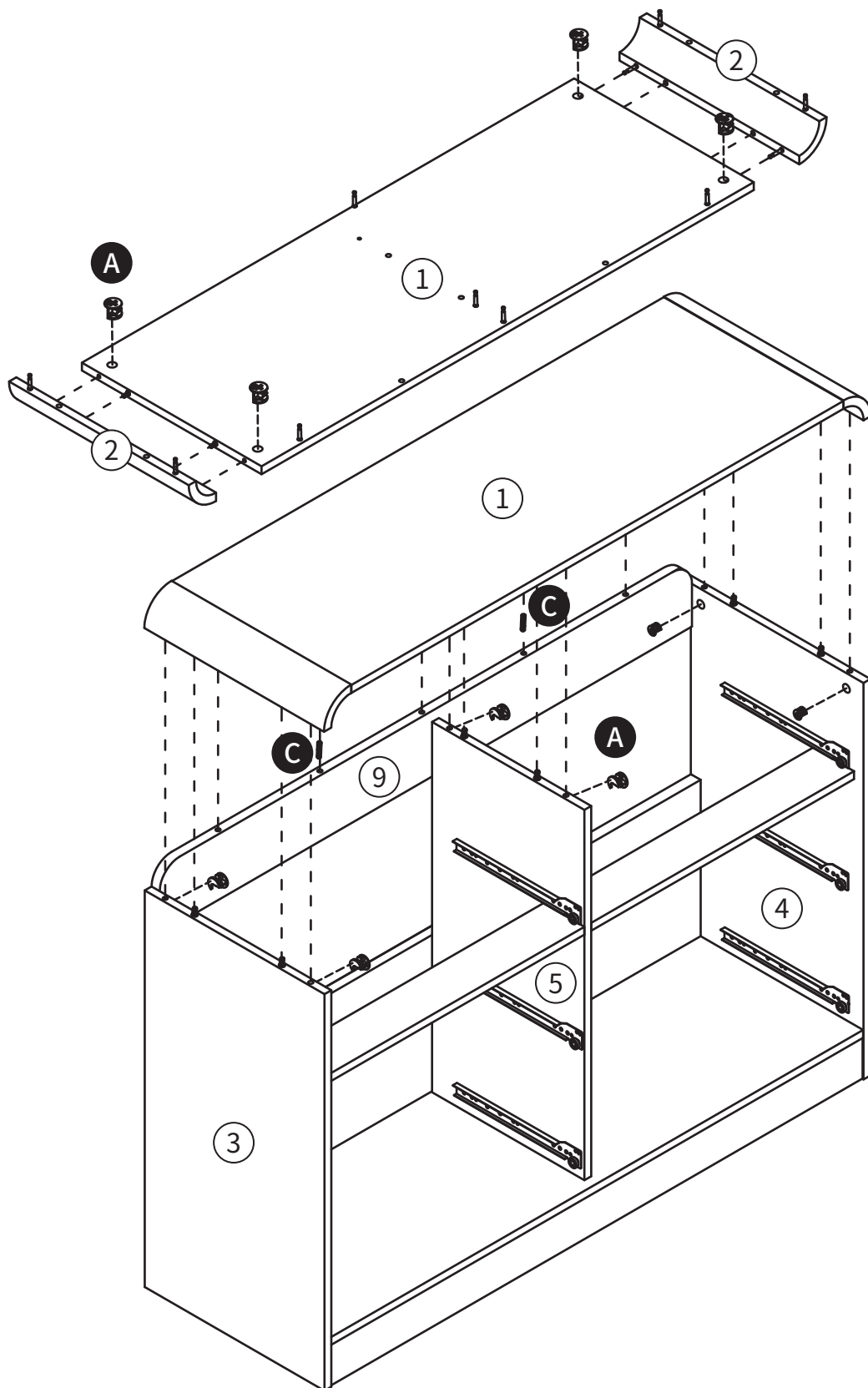


x10

C



x2





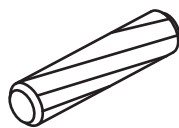
# STEP 13

F

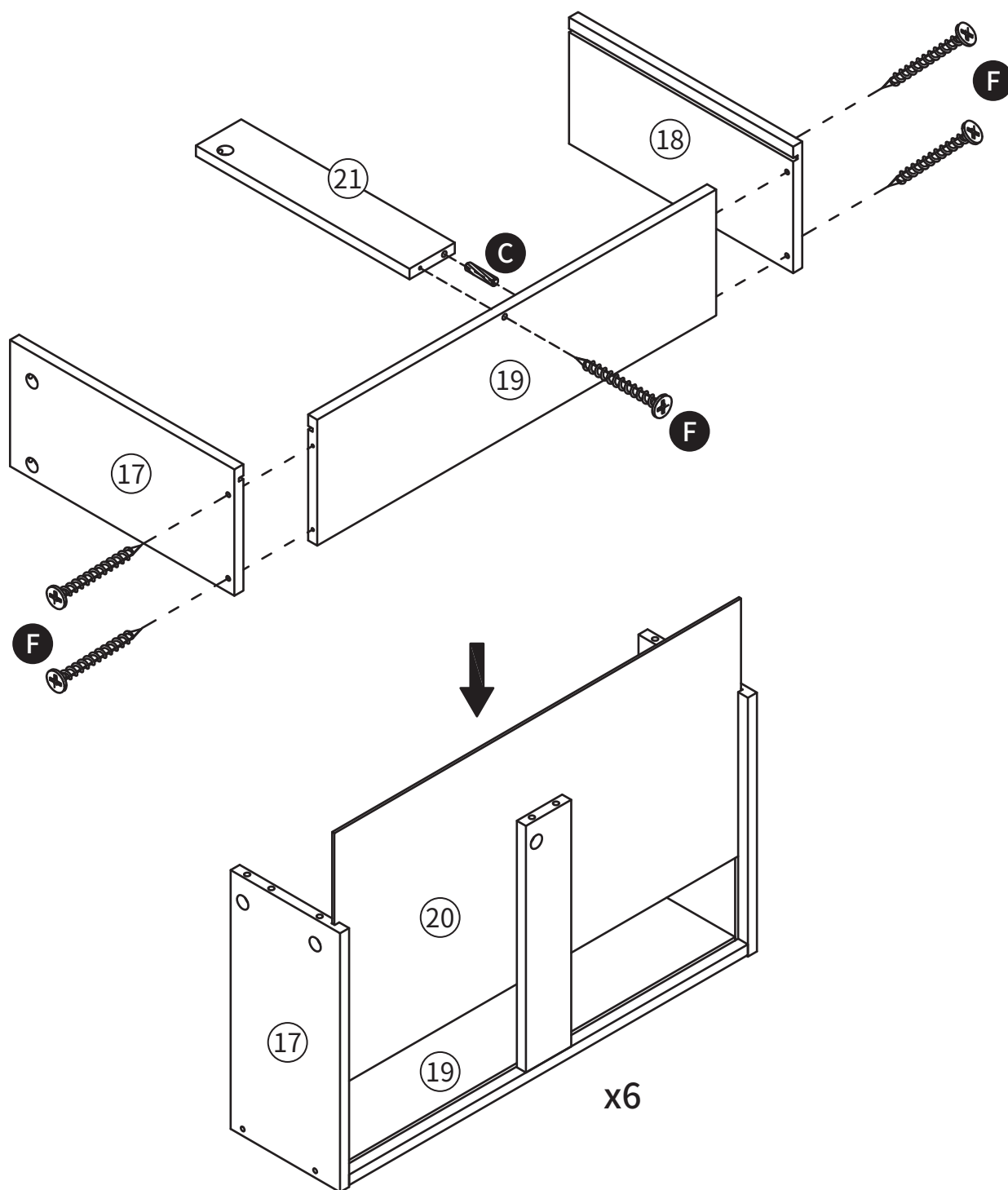


x30

C



x6



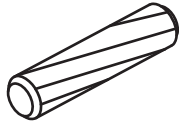
# STEP 14

A

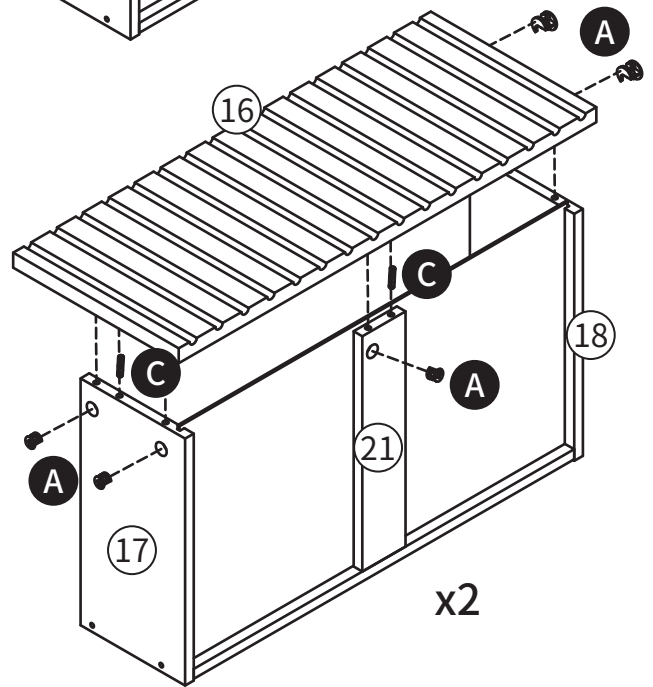
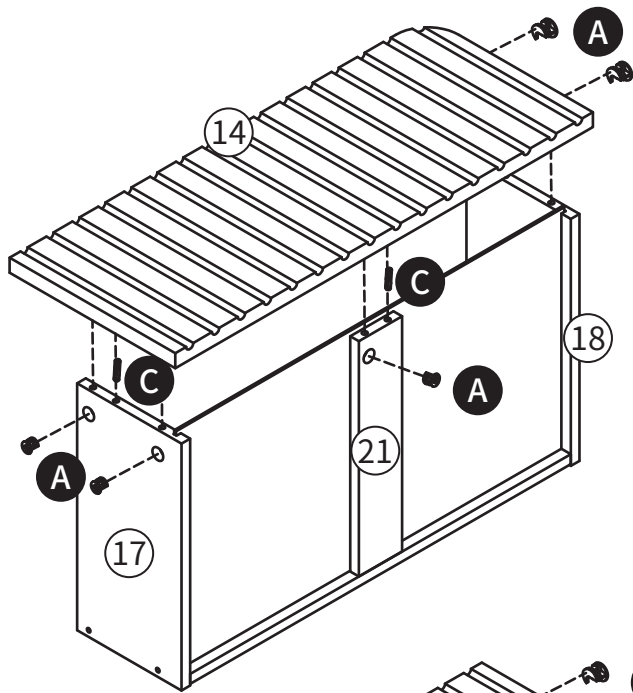
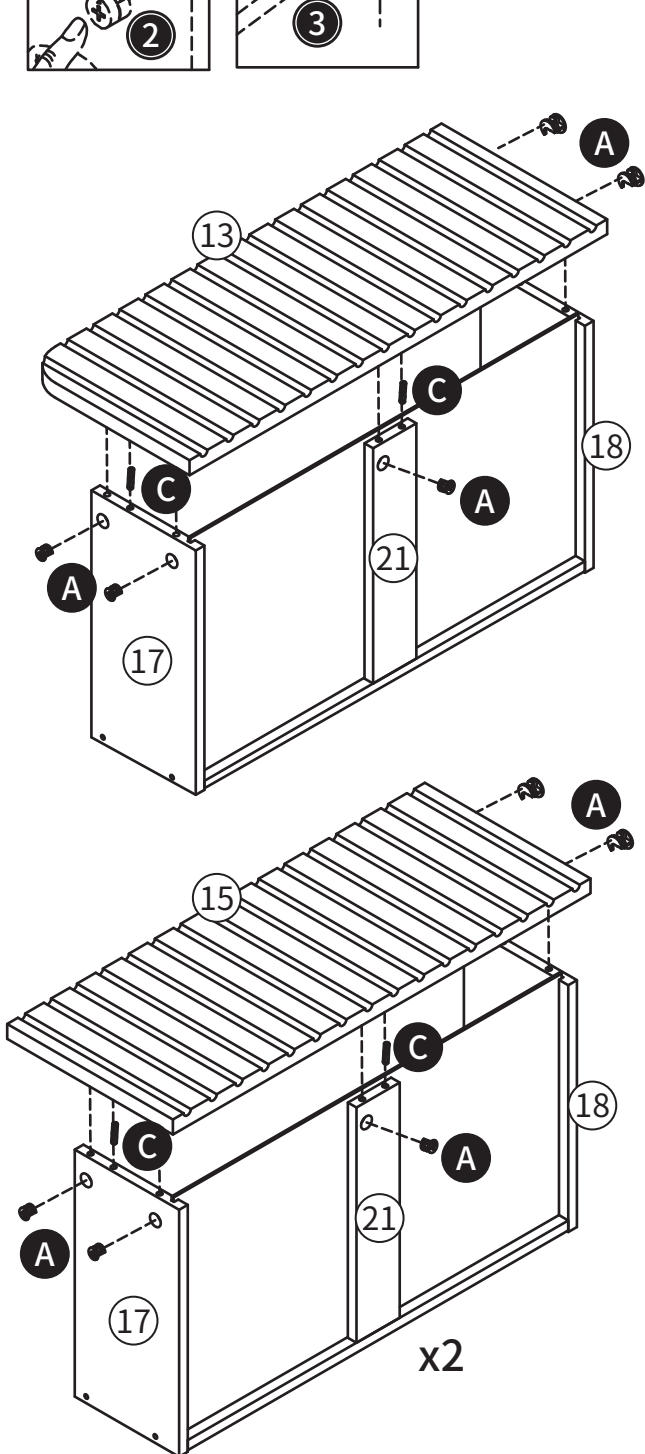
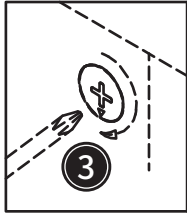
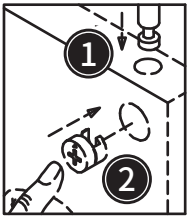


x30

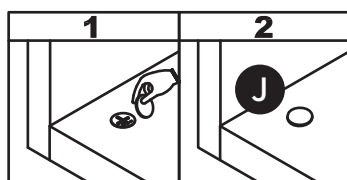
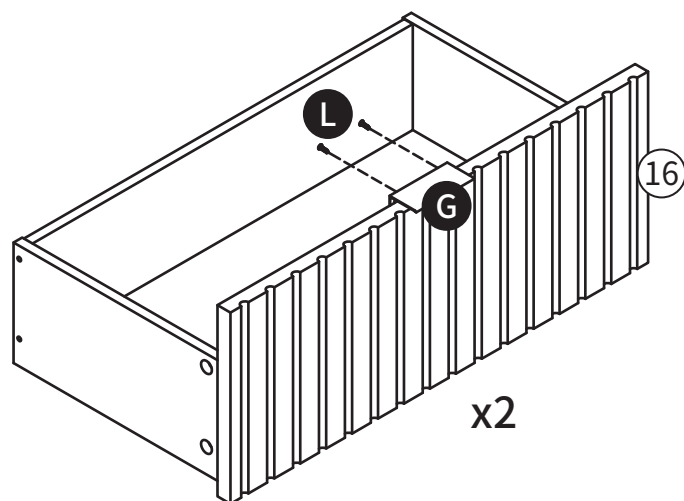
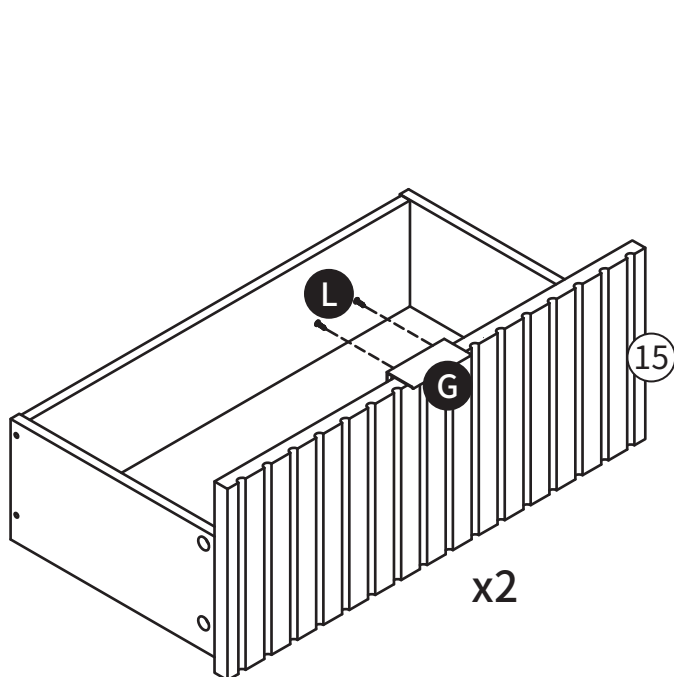
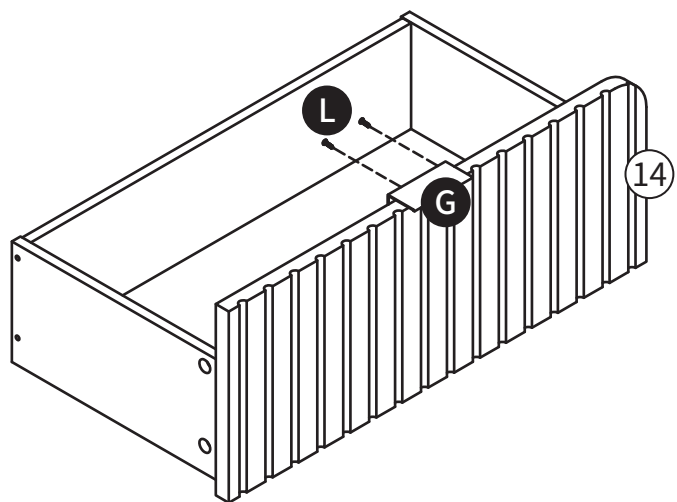
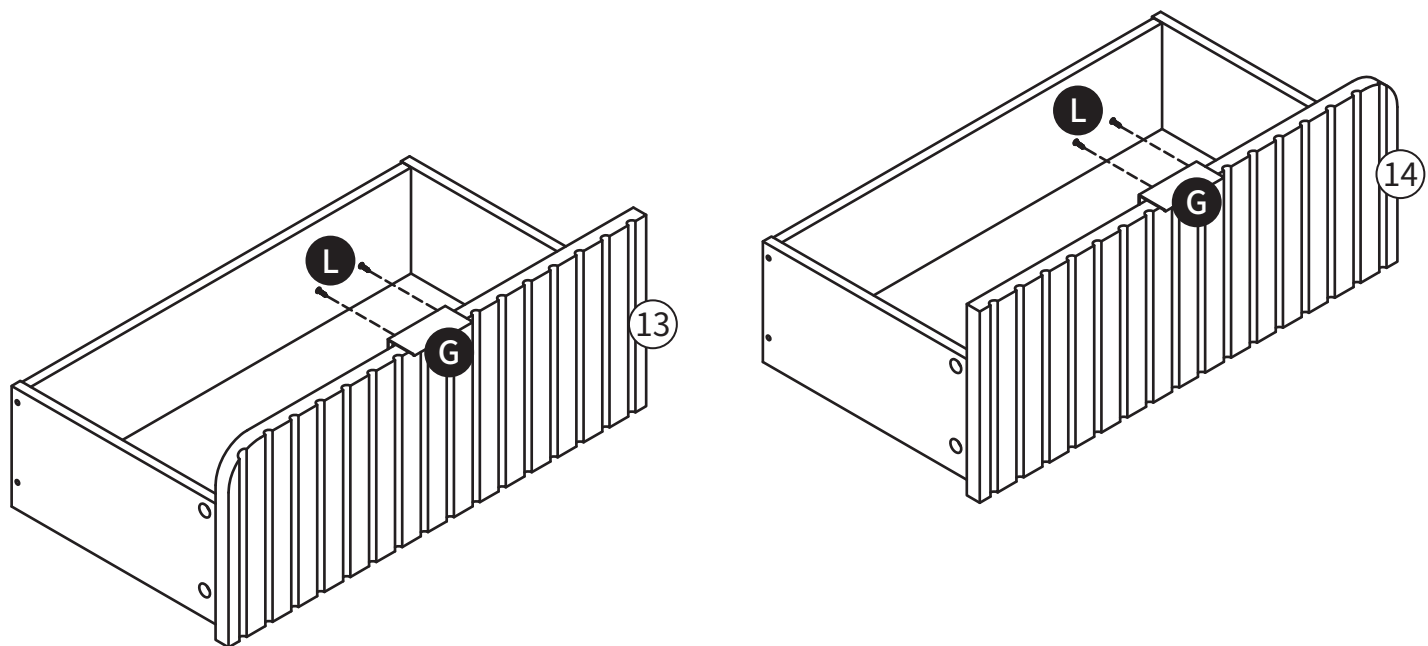
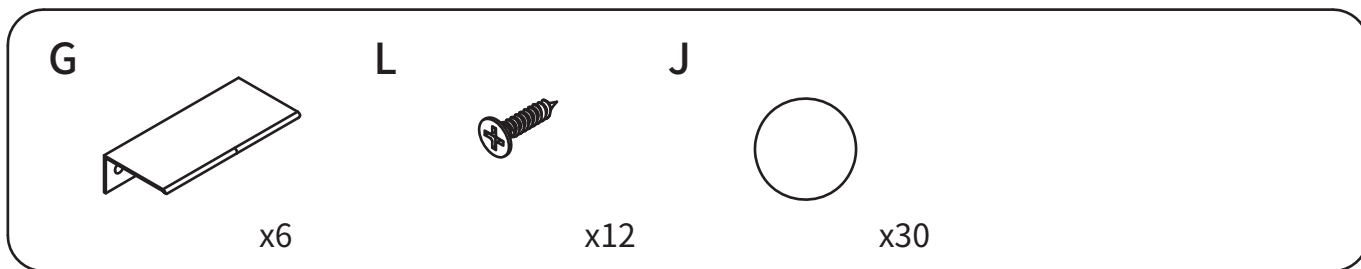
C



x18



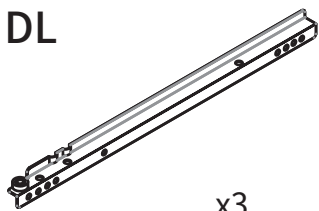
# STEP 15



· Stick stickers (J) on cam locks (A).

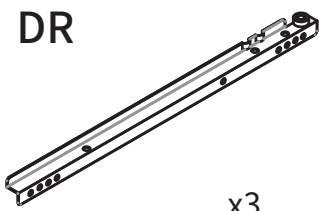
# STEP 16

DL



x3

DR

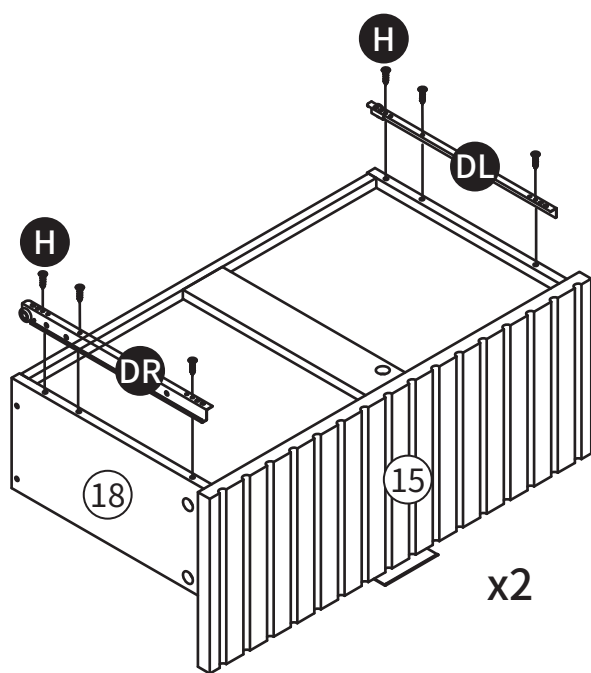
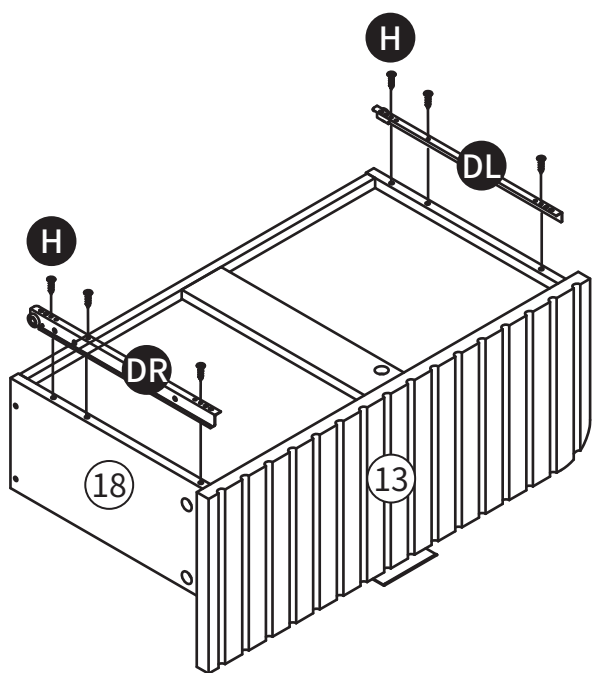
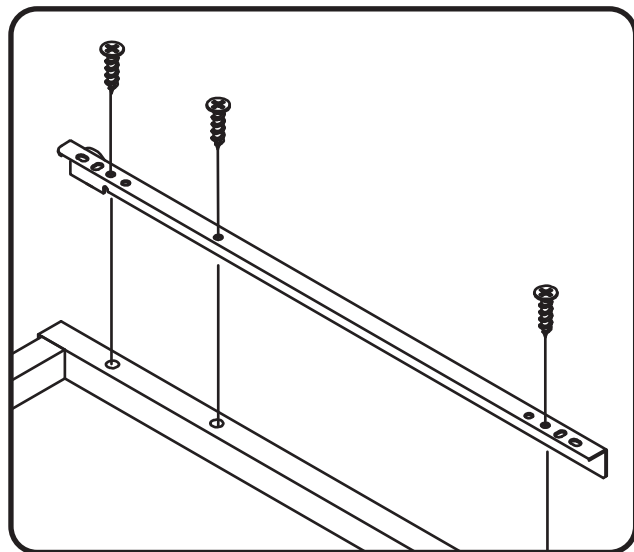
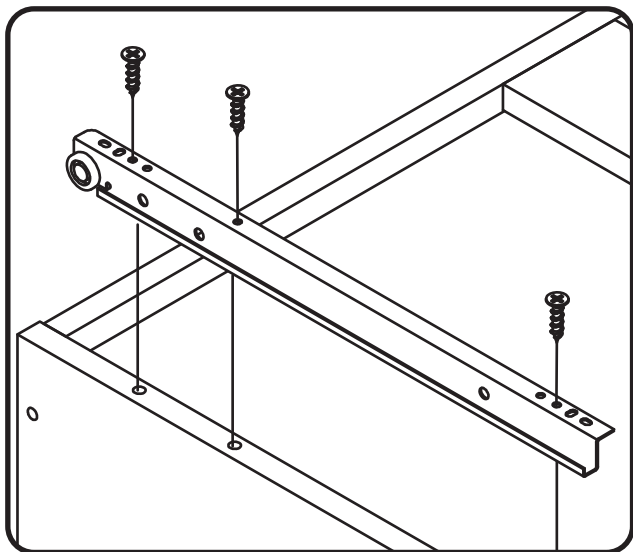


x3

H

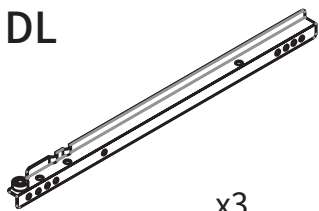


x18



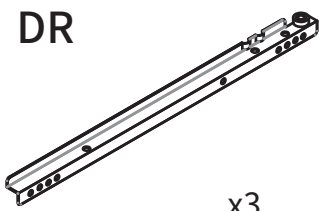
# STEP 17

DL



x3

DR

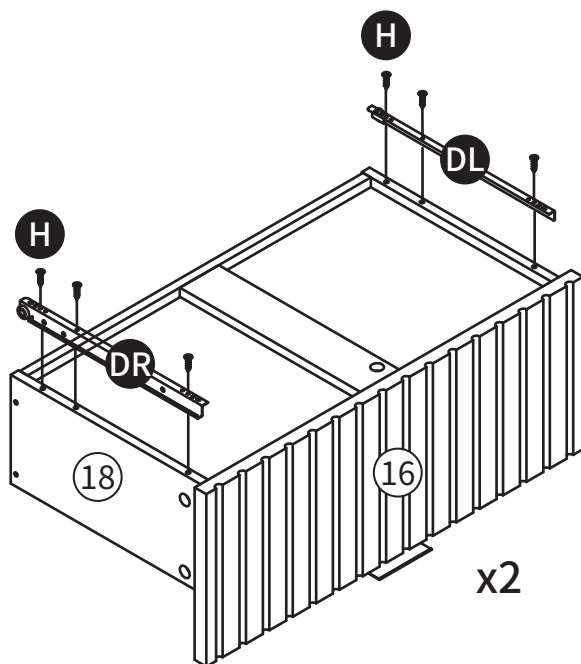
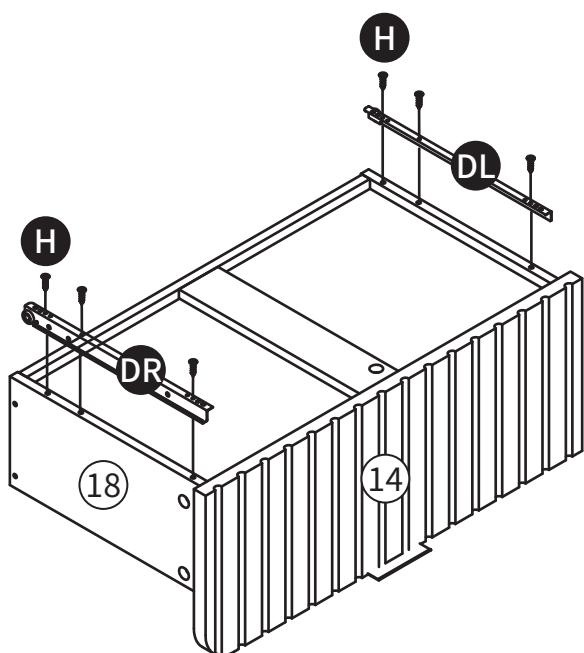
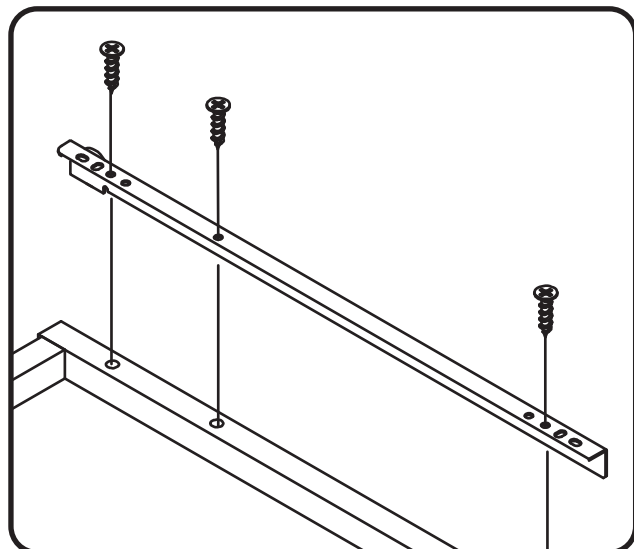
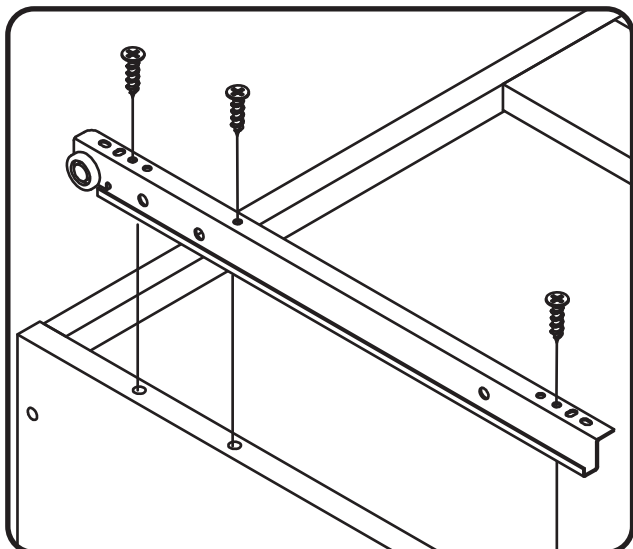


x3

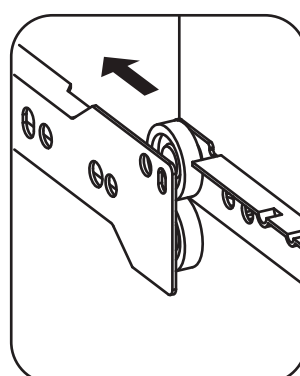
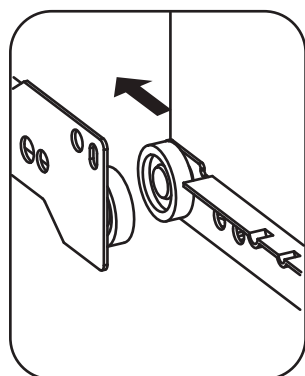
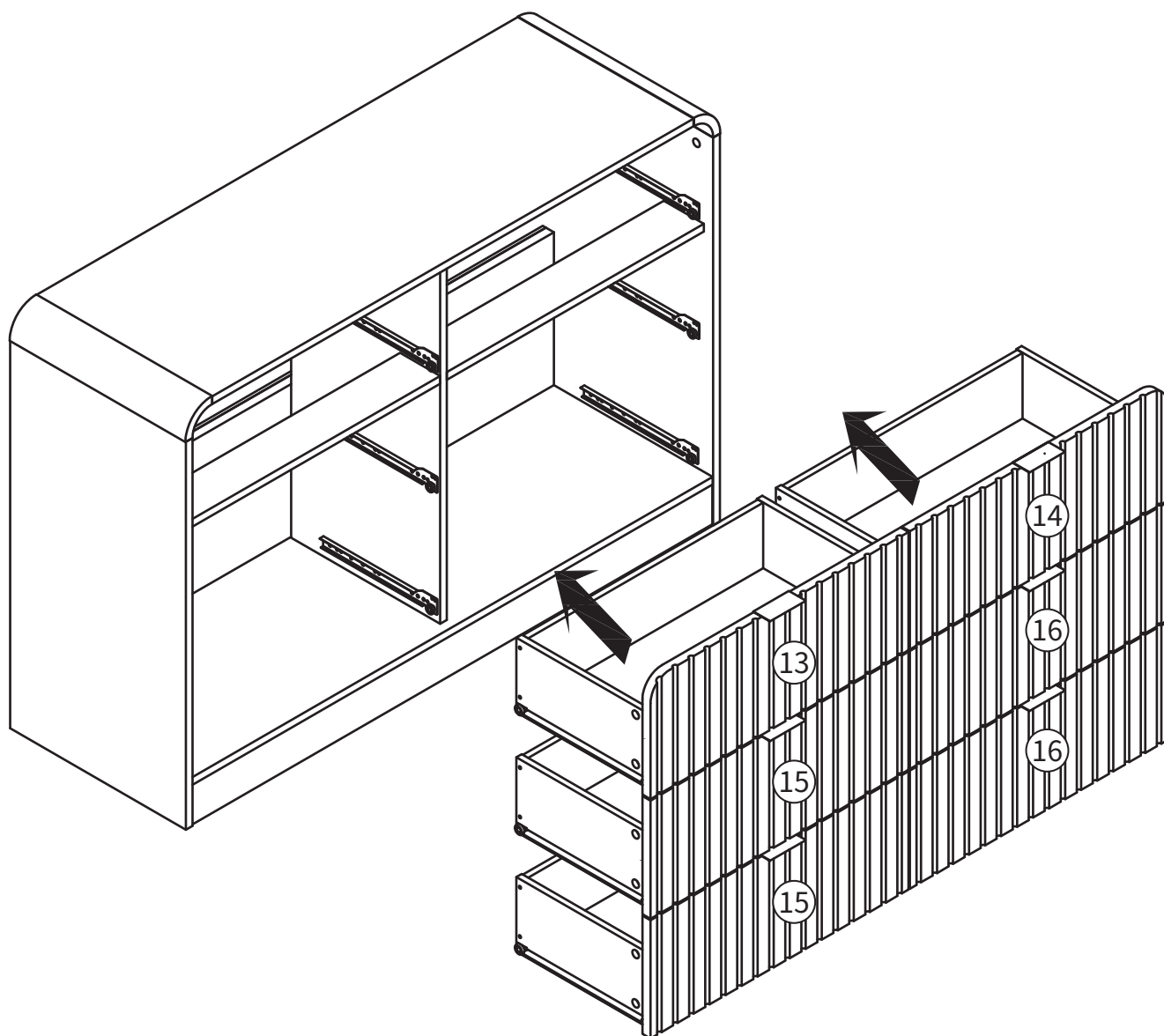
H



x18



# STEP 18



Notice: There are differences between the drawers on the left and right, please place them according to the instructions.

# STEP 19

M

