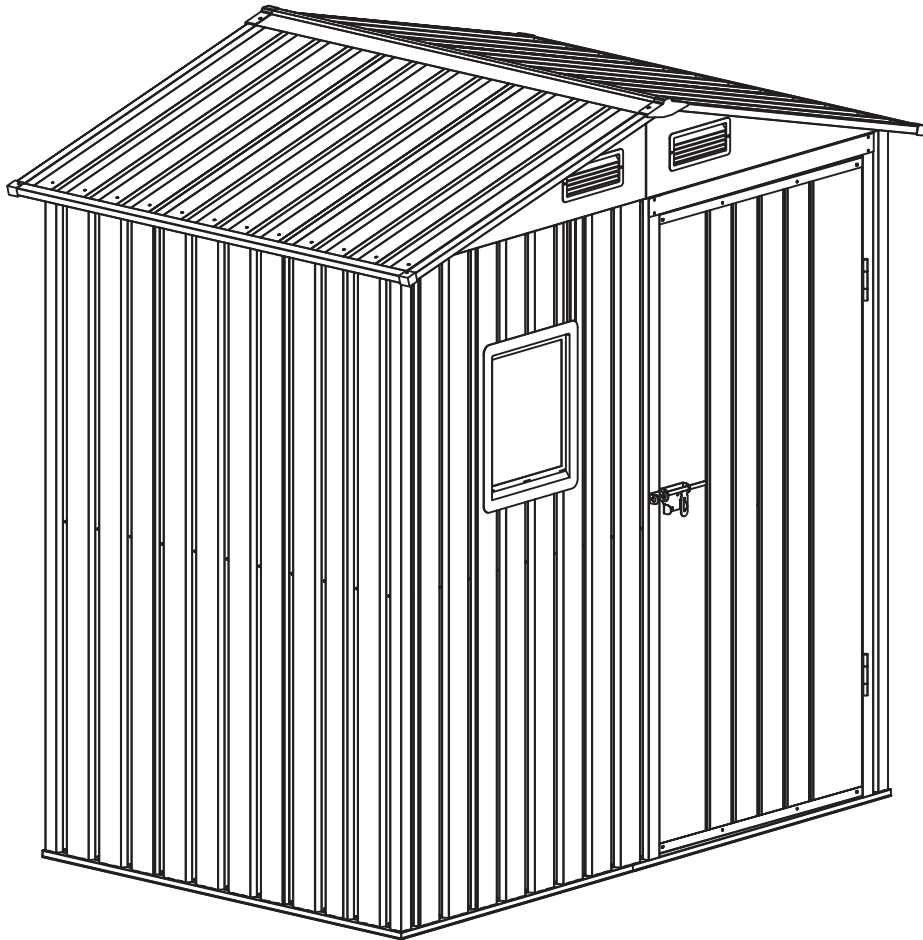


ASSEMBLY INSTRUCTION
ITEM#:MSS-97101 / MSS-97101B



Requires two or three people and takes 5-7 hours for installation.

Quick & Easy Assembly

Ridge Reinforced Walls

**WARNING: READ INSTRUCTION MANUAL BEFORE ATTEMPTING TO ASSEMBLE
OR OPERATE THIS PRODUCT.**

About installation

About usage

About product

About return

Others

Customer Service Email: customercare@lava-star.com

**If you have any questions, please do not hesitate to
contact us. We will ensure to provide you with a
response within 24 hours.**

CONTENTS

1.Contents.....	2
2.Precautions for installation.....	3-4
3.Product explosion diagram	5-7
4.Part list.....	8-11
5.Hardware.....	12
6.Base installation steps	13-14
7.Frame installation steps.....	15-25
8.Triangular panel installation steps.....	26-28
9.Top frame installation steps.....	29-34
10.Top panels installation steps.....	35-38
11.Door installation steps	39-46

BEFORE YOU START

Owner's Manual

Prior to installation, it is important that you contact your local government authority to determine if building approval is required.

Please read carefully and make sure you understand this owner's manual as it includes important information and helpful tips which will make the installation easier and more enjoyable.

Assembly instructions

Instructions are included in this manual and contain all relevant information for your model building. Review all instructions before you begin. During assembly, follow the step sequence carefully to ensure proper installation. Please be aware: **this unit takes two or three people about 5-7 hours to complete.**

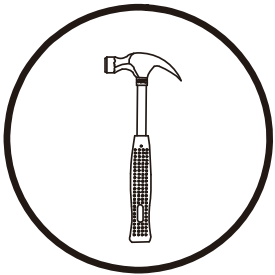
Parts

Check to be sure that you have all the necessary parts for the installation.

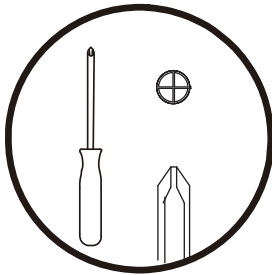
Separate contents of the carton by the part number while reviewing parts list.

Familiarize yourself with the hardware and fasteners for easier use during construction. These are packaged within the carton. Note that extra fasteners have been supplied for your convenience.

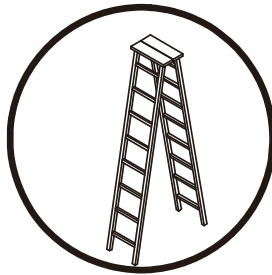
TOOLS REQUIRED



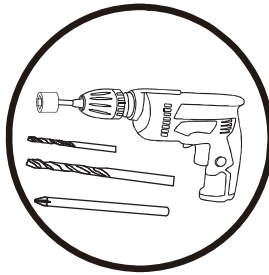
Hammer



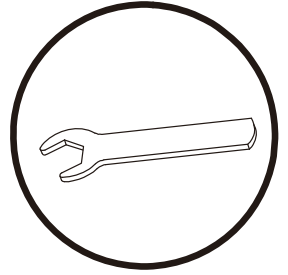
Screwdriver



Ladder



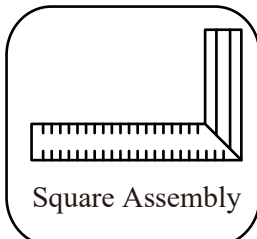
Electric screw driver



Wrench

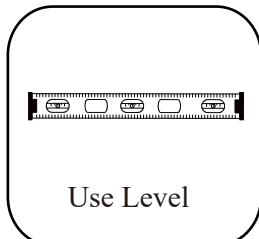


This identifies information that requires special attention. Improper assembly could lead to an unsafe or dangerous condition.



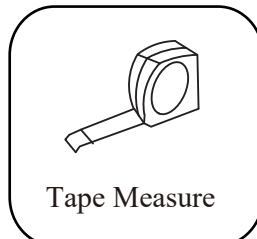
Square Assembly

Check that assembly is square before tightening bolts.

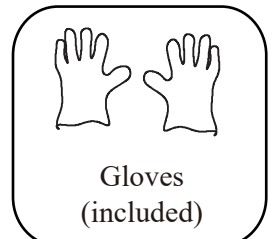


Use Level

Check that set or assembly is properly level before proceeding.



Tape Measure

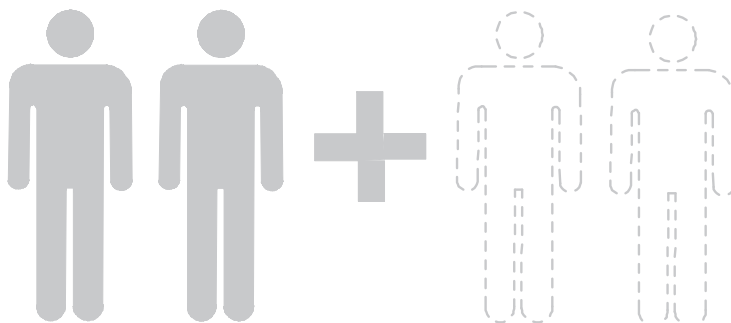


Gloves (included)

IMPORTANT

How many people needed for the installation work?

Requires two or three people and takes 5-7 hours for installation.



PLAN AHEAD

Site Selection

Avoid overhanging trees as much as possible as leaves will make regular cleaning necessary and broken branches are a potential hazard.

Small trees, bushes or fences nearby can be helpful, acting as a wind break.

Site Preparation

The site must be prepared so that the base of the shed is level all round and checking with a spirit level is required.

The base can be constructed by treated timber or concrete, in order to stop the moisture getting into the shed. **The shed is not designed to be built on the lawn directly.** Also the ground will get muddy during rainy days. If a concrete pad is made, it is important that this slopes towards the edges to prevent water ingress.

Time must be allowed for any concrete or cement to dry before building the shed on top.

Bases can also be constructed from bricks, blocks, or mounted on a concrete pad.

The bricks or blocks should be cemented onto firm and level concrete footings and the greenhouse frame drilled and screwed to the base.

IMPORTANT NOTES:

Find someone to help you: it is much easier with someone to hold parts, pass tools ect. Also some steps require two people to lift structures together. This is not very heavy work so would suit most able-bodied people.

Allow plenty of time: rushing often causes errors and the re-doing of incorrect assemblies. If you have never built a shed before, it can take most of a day to carefully complete the construction.

Have the right tools in hand.

Safety clothing as recommended in the 'Tools' section.

Ideally let out the parts and check that all are present before commencing construction. Lay on cloths or plastic sheets if there is any risk of scratching the parts.

Tighten all nuts carefully, being sure not to miss any. Check the frame is square and using a spirit level to check that it is upright.

For your safety concern, please do not stand under the metal shed in heavy wind or snow days.

DO NOT install the metal shed in wind or snow days.

For safety, please use expansion screws to reinforce the posts to the ground.

Please clear the snow off the roof in time if there is a heavy snowfall.

Make sure all screws are tightened before use. Repeat to confirm all screws, buckles and straps are tightened every 90 days.

Please keep all screws loose during the assembly process and tighten them after completing the installation.

Do not use or store objects in the Metal Shed with open flames or flammable chemicals.

Please note that some parts have sharp edges and should be handled with gloves.

If any parts are missing, broken, damaged or worn, discontinue use of the product until repairs are made or factory replacement parts are installed.

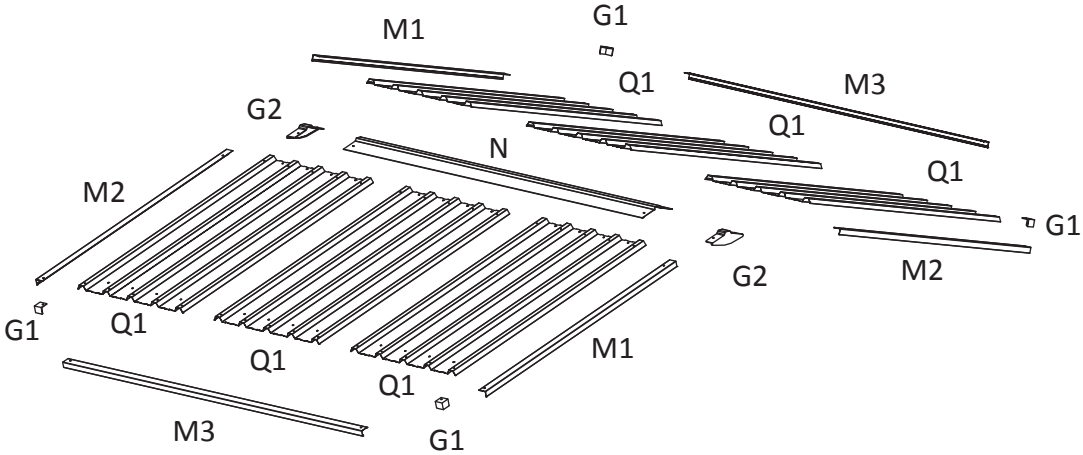
Failure to install the product according to the manufacturer's instructions may void the warranty policy for this product.

PARTS

Before installation, please place the parts in the position as shown in the figure below.

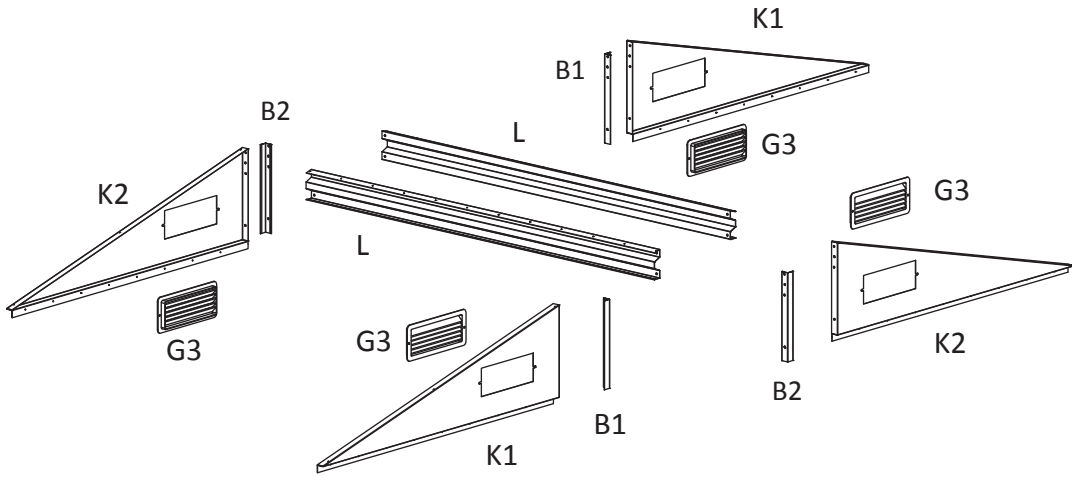
Shed top panels

No.	Qty.
G1	4
G2	2
M1	2
M2	2
M3	2
Q1	6
N	1



Shed top frame

No.	Qty.
G3	4
B1	2
B2	2
L	2
K1	2
K2	2

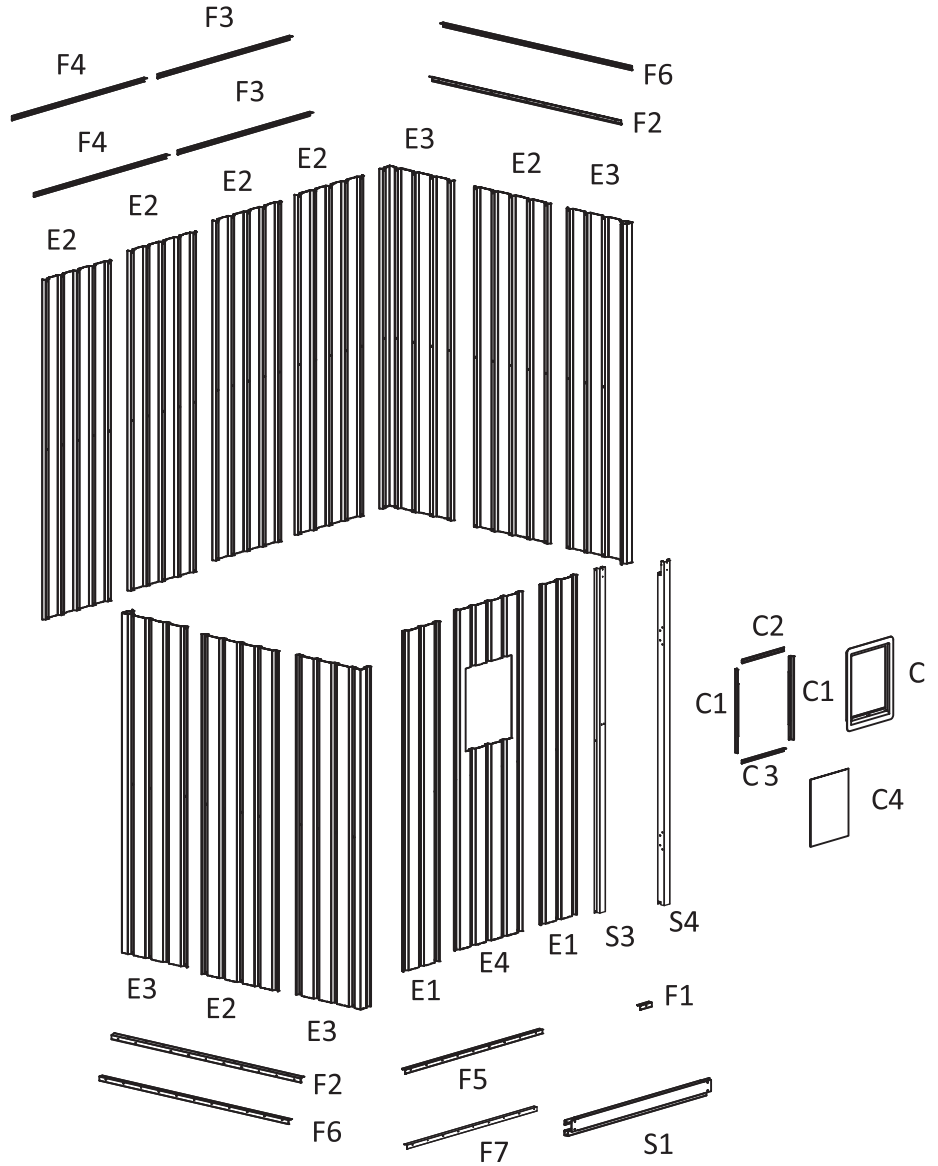


PARTS

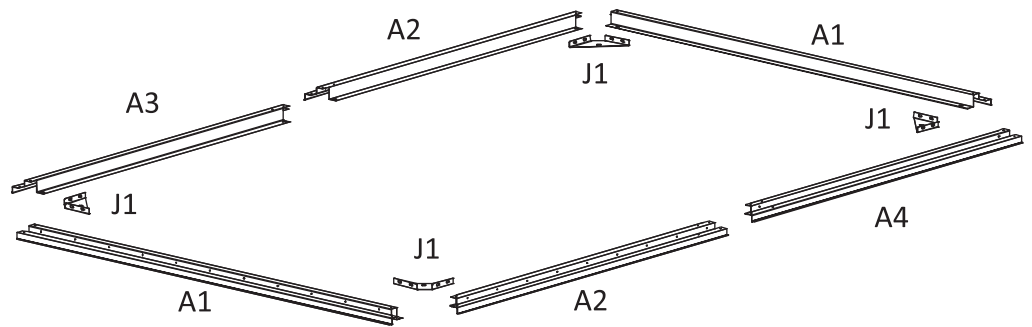
Before installation, please place the parts in the position as shown in the figure below.

Shed Side Frames & Panels

No.	Qty.
C	1
C1	2
C2	1
C3	1
C4	1
F1	1
F2	2
F3	2
F4	2
F5	1
F6	2
F7	1
S1	1
S3	1
S4	1
E1	2
E2	6
E3	4
E4	1



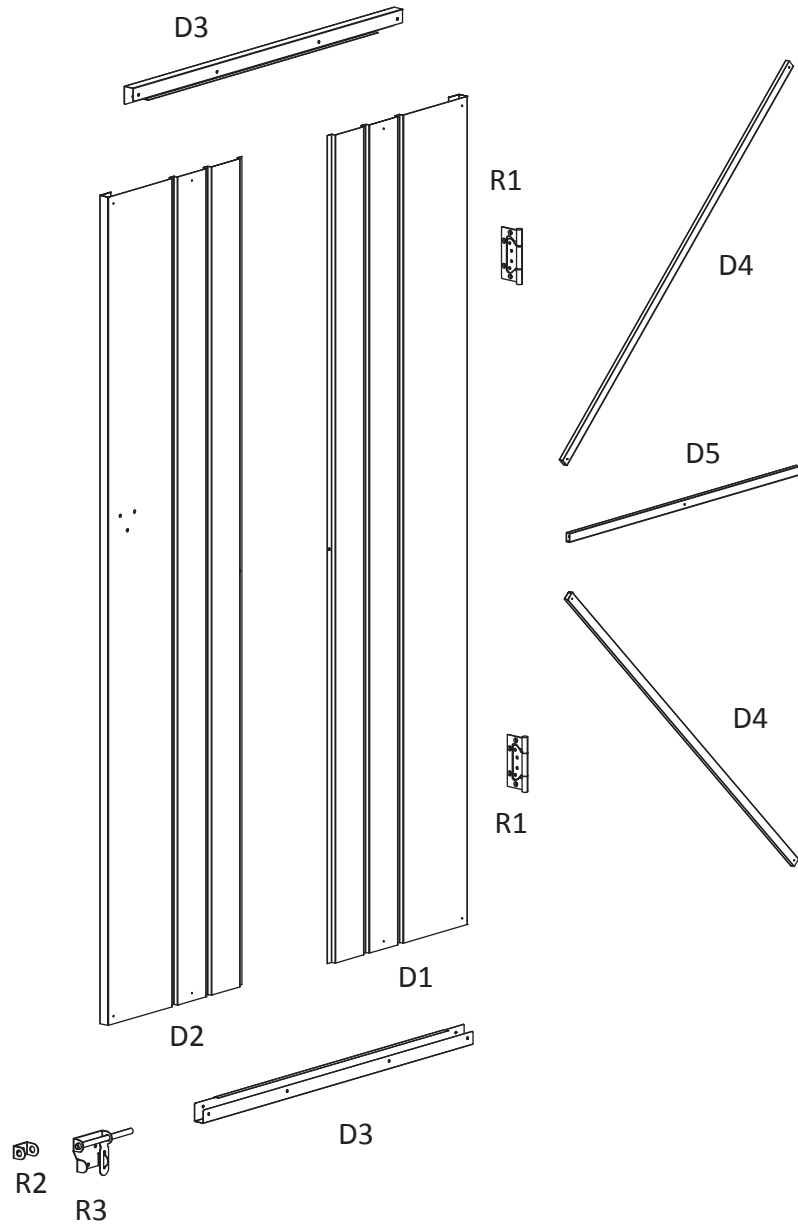
Shed base	
No.	Qty.
A1	2
A2	2
A3	1
A4	1
J1	4



PARTS

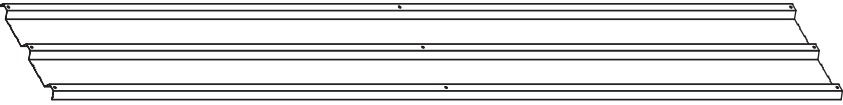
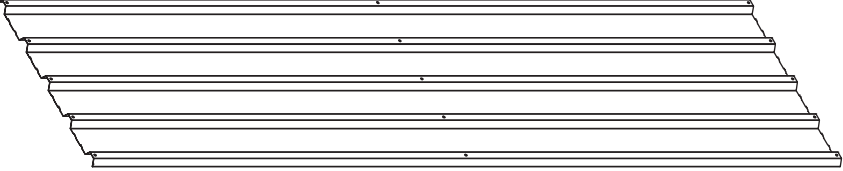
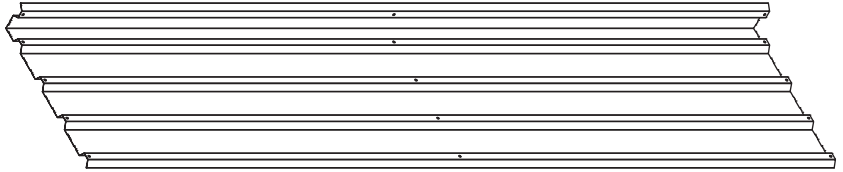

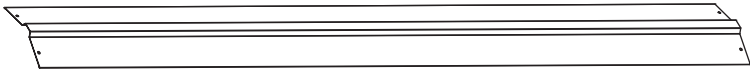
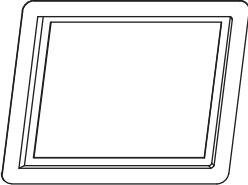
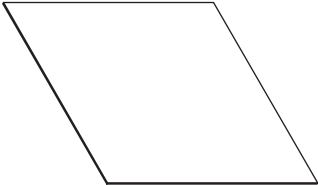
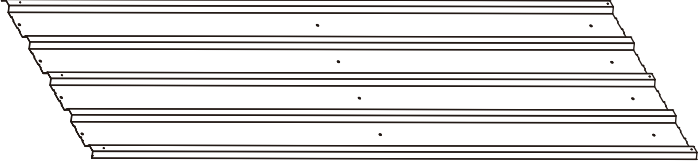
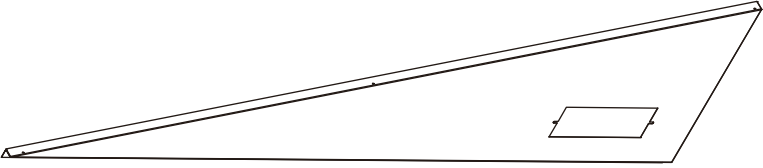
Before installation, please place the parts in the position as shown in the figure below.

Door	
No.	Qty.
D1	1
D2	1
D3	2
D4	2
D5	1
R1	2
R2	1
R3	1



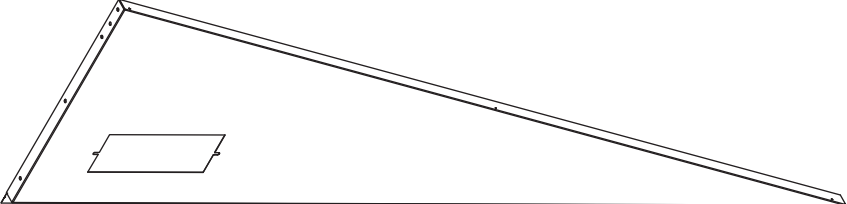
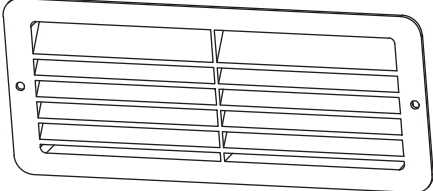
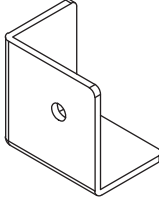
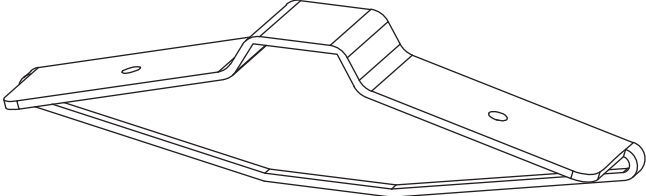
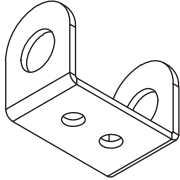
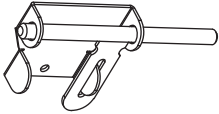
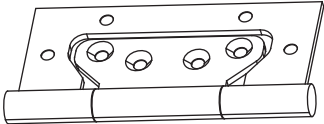




Parts list

MSS-97101 / MSS-97101B

NO.	Qty	Part Image
E1	2	
E2	6	
E3	4	
E4	1	
N	1	
C	1	
C4	1	
Q1	6	
K1	2	

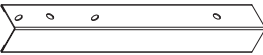






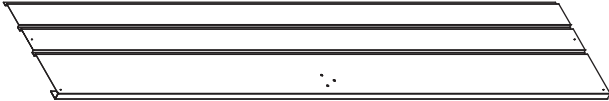



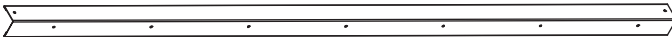
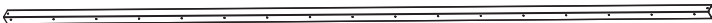


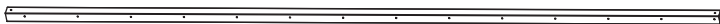
Parts list

MSS-97101 / MSS-97101B

NO .	Qty	Part Image
K2	2	
G3	4	
G1	4	
G2	2	
R2	1	
R3	1	
R1	2	
A1	2	
A2	2	
A3	1	
A4	1	






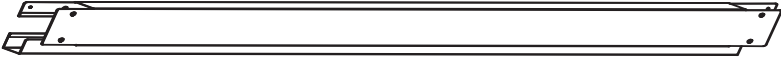


Parts list

MSS-97101 / MSS-97101B

NO.	Qty	Part Image
B2	2	
B1	2	
C1	2	
C2	1	
C3	1	
D1	1	
D5	1	
D2	1	
D3	2	
D4	2	
F1	1	
F2	2	
F3	2	
F4	2	
F5	1	
F6	2	


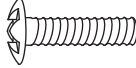



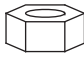
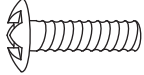

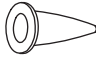



Parts list

MSS-97101 / MSS-97101B

NO.	Qty	Part Image
F7	1	
L	2	
M1	2	
M2	2	
M3	2	
S1	1	
S3	1	
S4	1	

Hardware

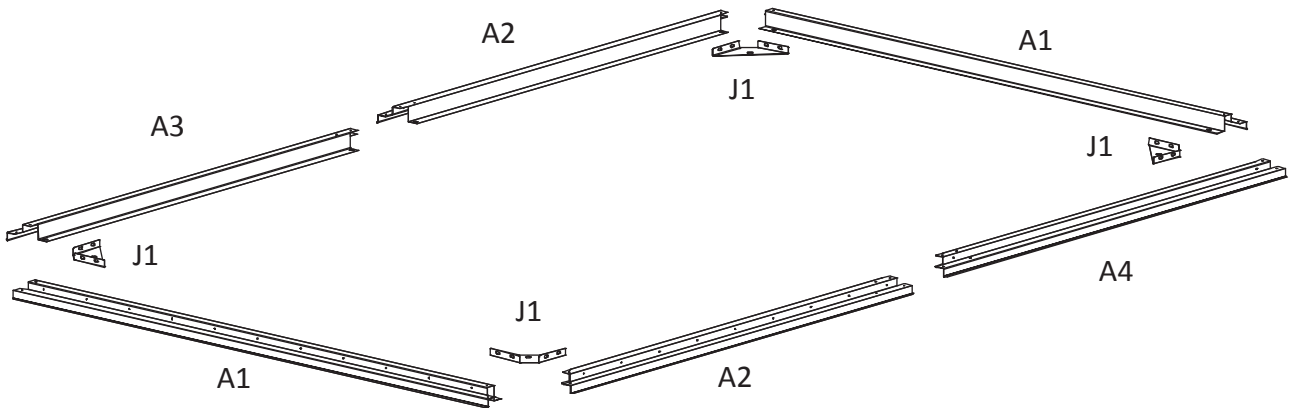
MSS-97101 / MSS-97101B

Part	Description	Qty	Extra	Part Image
H1	M4*10mm bolt	281	31	
H2	M4*15mm bolt	18	2	
H3	M4 nut	18	2	
H4	M4.2*16mm bolt	8	8	
H5	M5*12mm bolt	8	2	
H6	M5 nut	13	2	
H7	M5*10mm bolt	5	1	
T1	Washer	281	31	
T2	Screw Cover	289	30	
J1	Corner Base	4	0	
J2	Stake	6	0	
J3	Expansion Bolt	4	0	

Base Exploded View

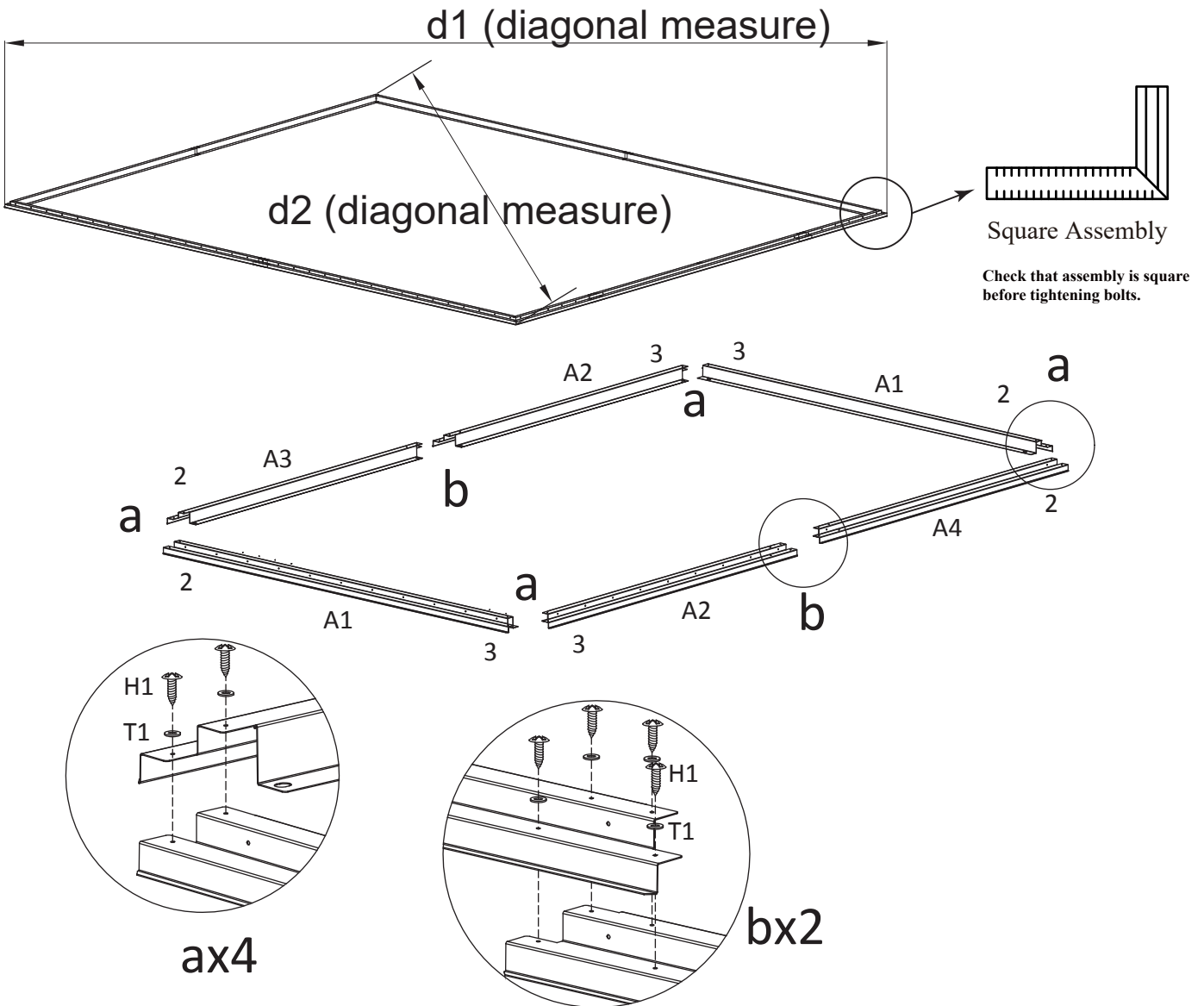
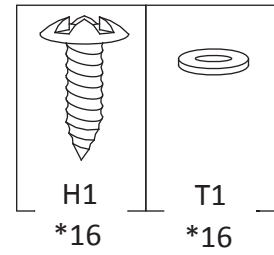
Before installation, please place the parts in the position as shown in the figure below.

Shed base	
No.	Qty.
A1	2
A2	2
A3	1
A4	1
J1	4



Step.1

	A1*2
	A2*2
	A3*1
	A4*1

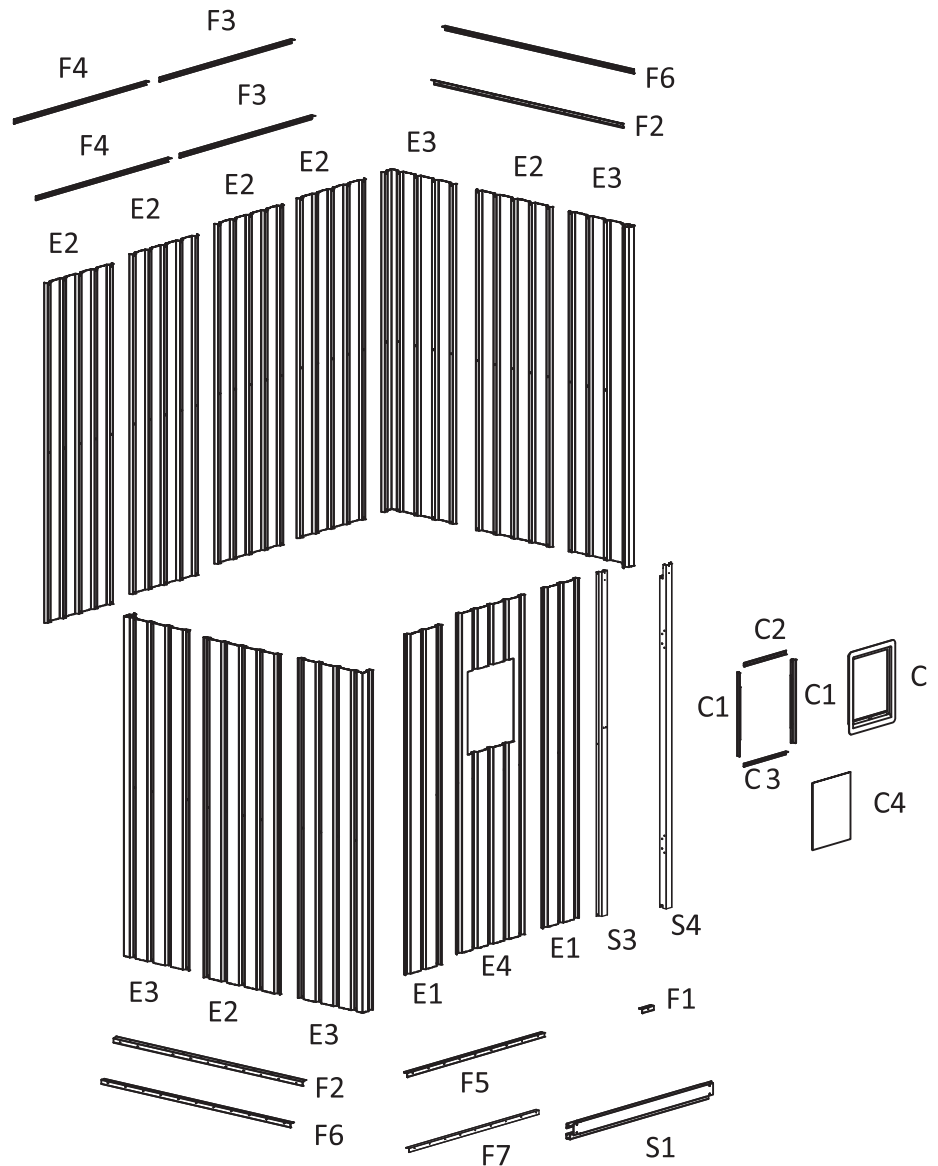


Note: Find the corresponding numbered parts and install them as shown in the picture. The shed base must be BOTH square AND level or the holes will not align. **Make sure $d1$ equal to $d2$** , when diagonal measurements are equal, the frame is square. (This is for avoiding misalignment of the doors or holes during the installation).

PARTS

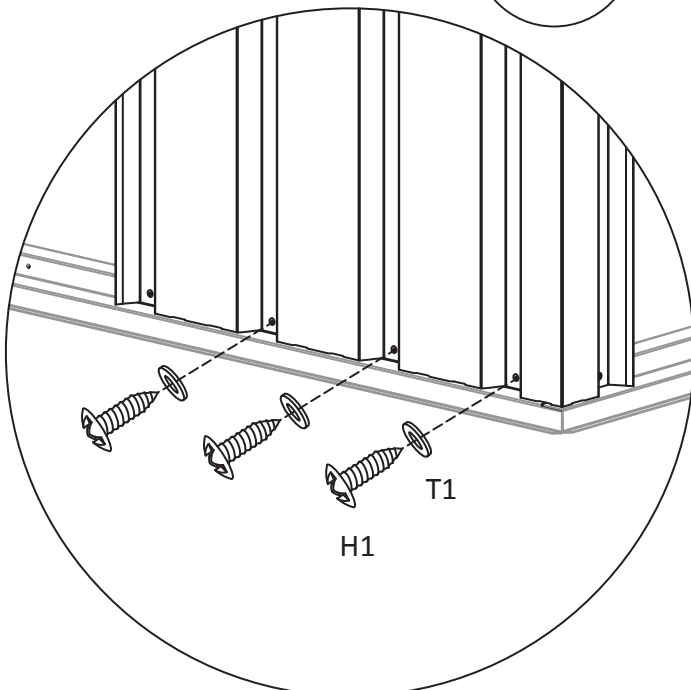
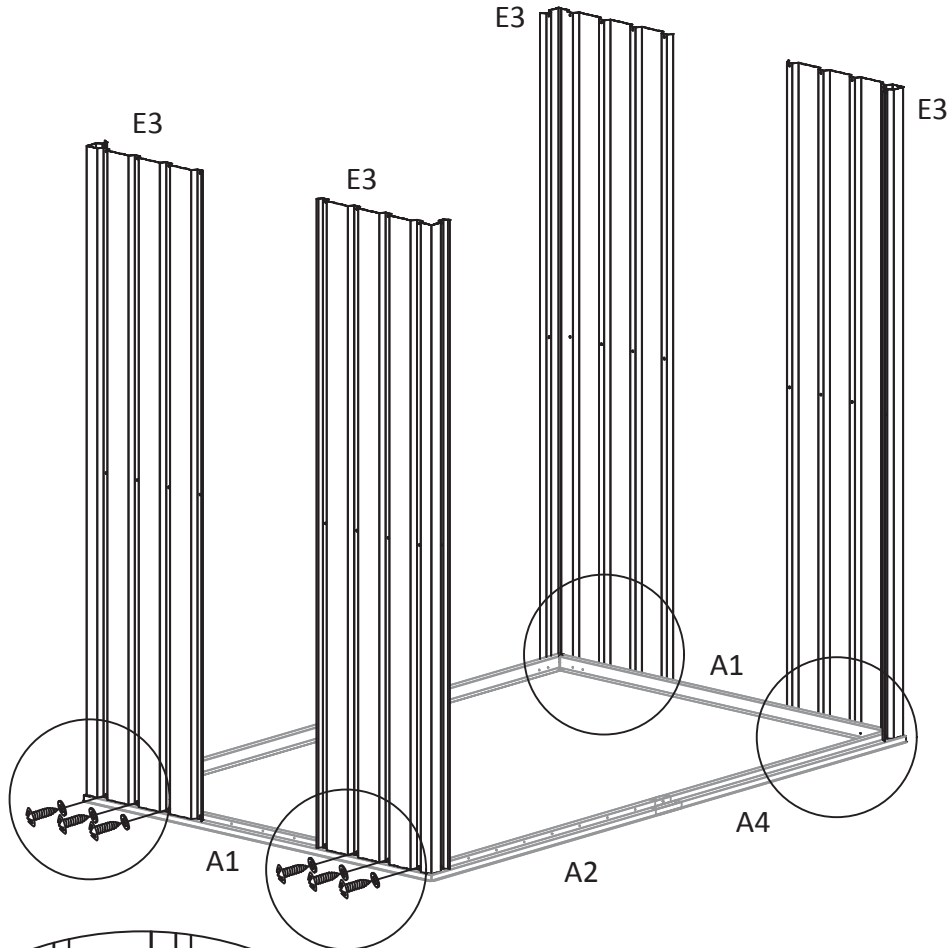
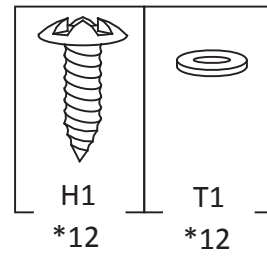
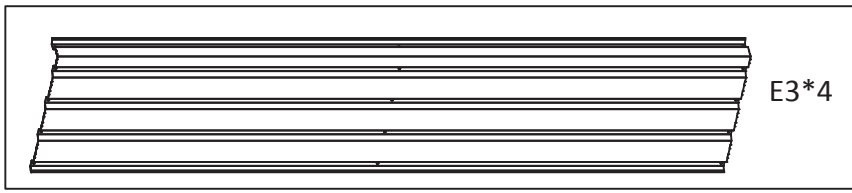
Before installation, please place the parts in the position as shown in the figure below.

Shed Side Frames & Panels	
No.	Qty.
C	1
C1	2
C2	1
C3	1
C4	1
F1	1
F2	2
F3	2
F4	2
F5	1
F6	2
F7	1
S1	1
S3	1
S4	1
E1	2
E2	6
E3	4
E4	1



Note: The black/ brown side should be facing out.

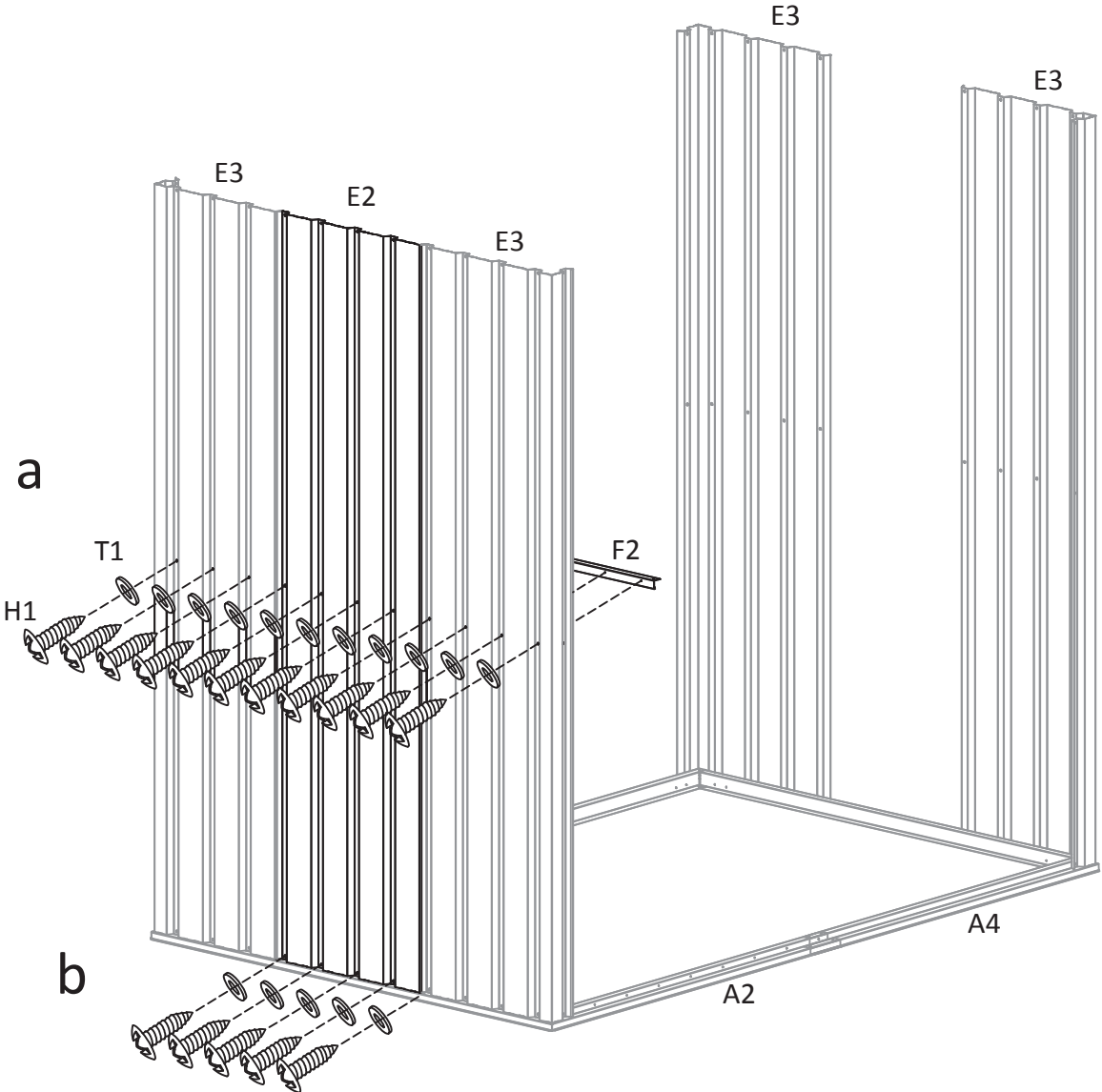
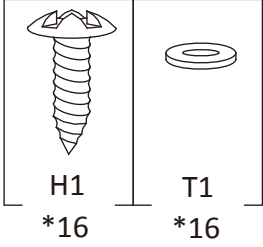
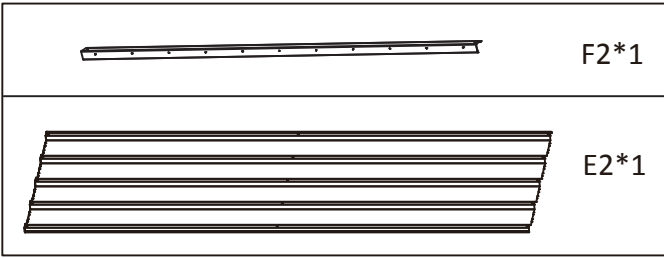
Step.2



x4

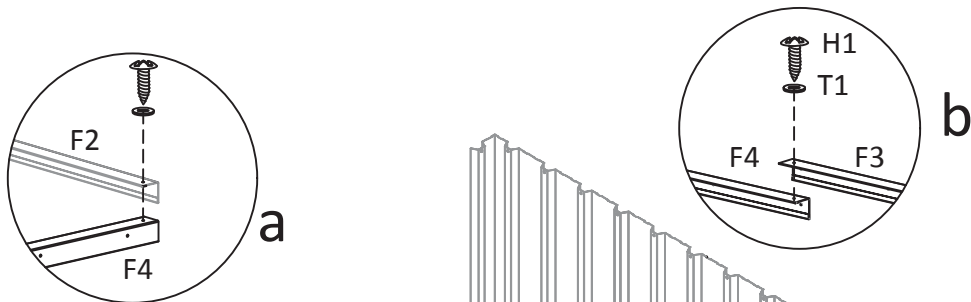
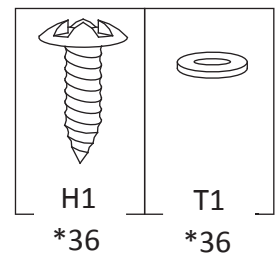
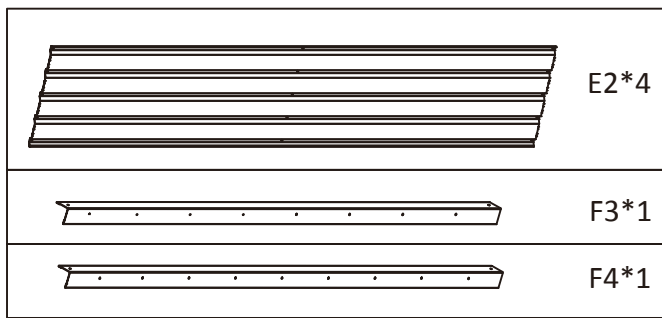
Attach E3 to A1 using twelve bolts (H1) and twelve washers (T1).

Step.3

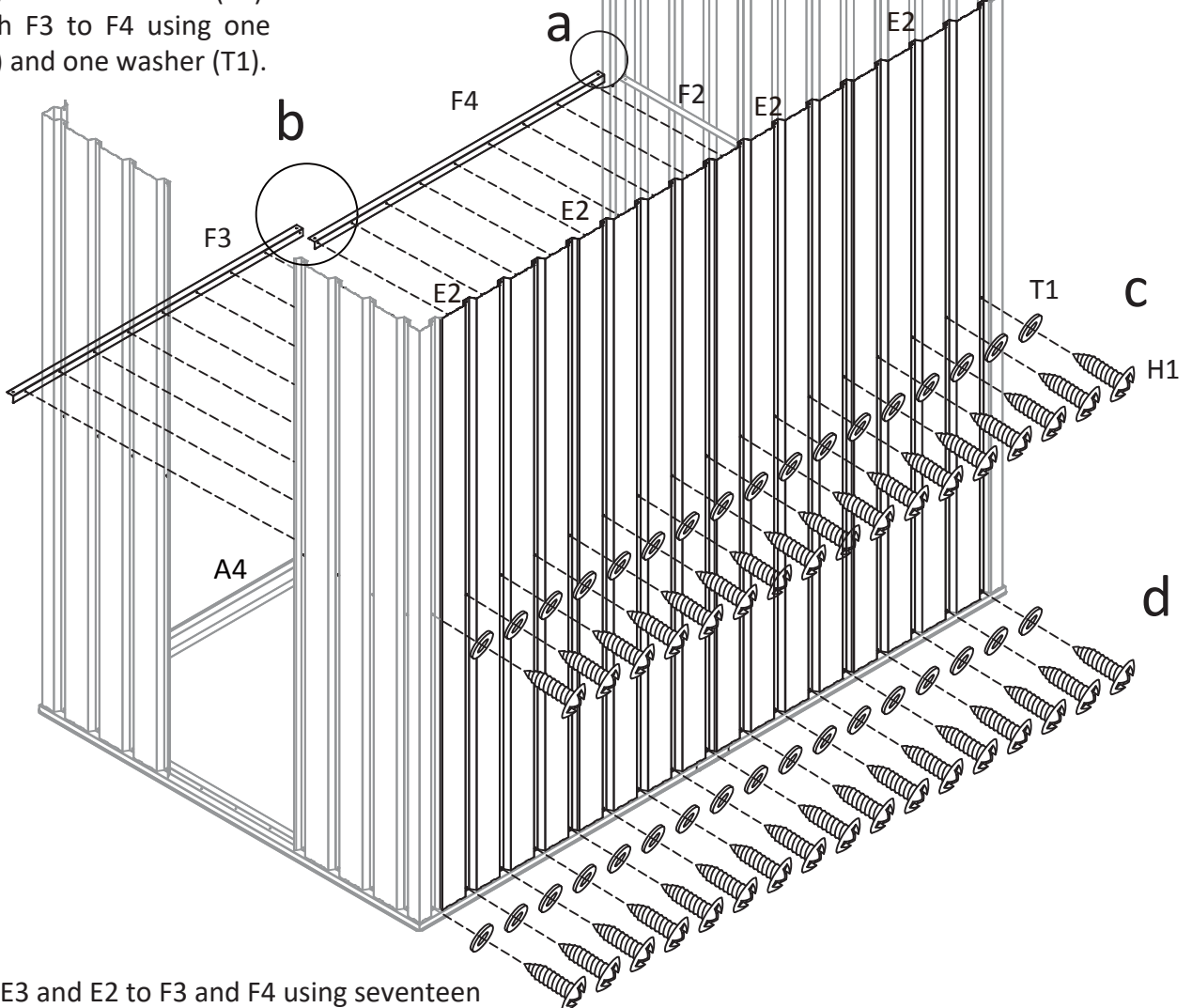


a: Attach E3 and E2 to F2 using eleven bolts (H1) and eleven washers (T1).
b: Attach E3 and E2 to A1 using five bolts (H1) and five washers (T1).

Step.4

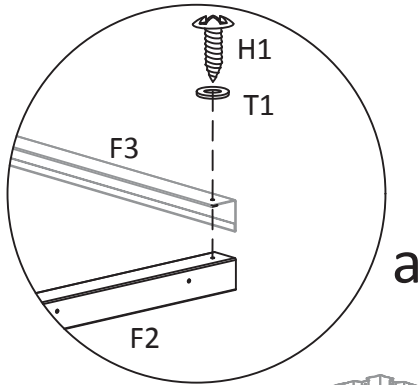
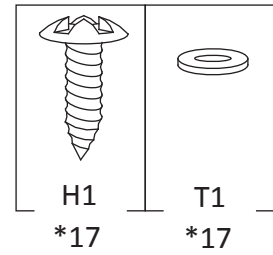


a: Attach F4 to F2 using one bolt (H1) and one washer (T1).
 b: Attach F3 to F4 using one bolt (H1) and one washer (T1).

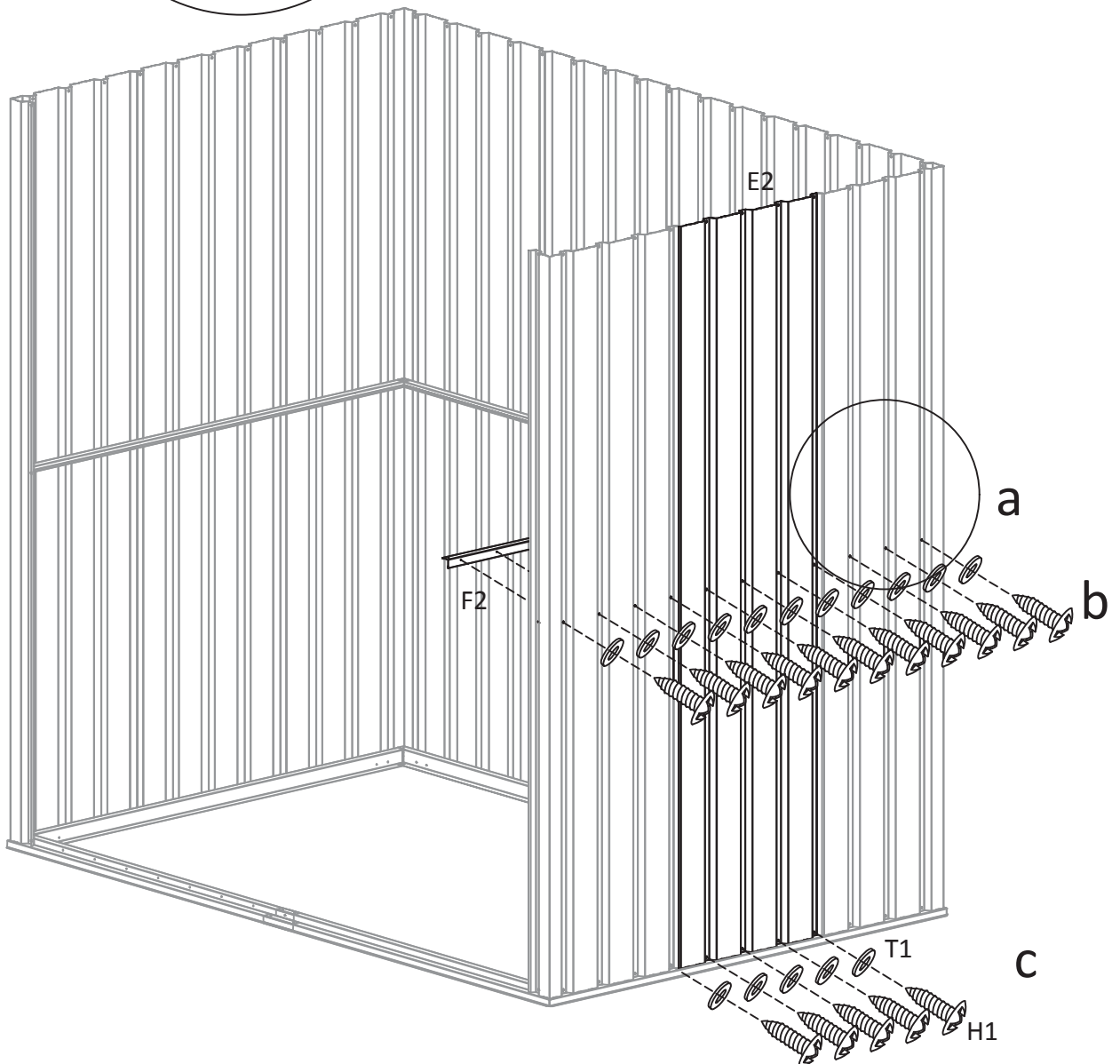


c: Attach E3 and E2 to F3 and F4 using seventeen bolts (H1) and seventeen washers (T1).
 d: Attach E3, E2 to A2, A3 using seventeen bolts (H1) and seventeen washers (T1).

Step.5



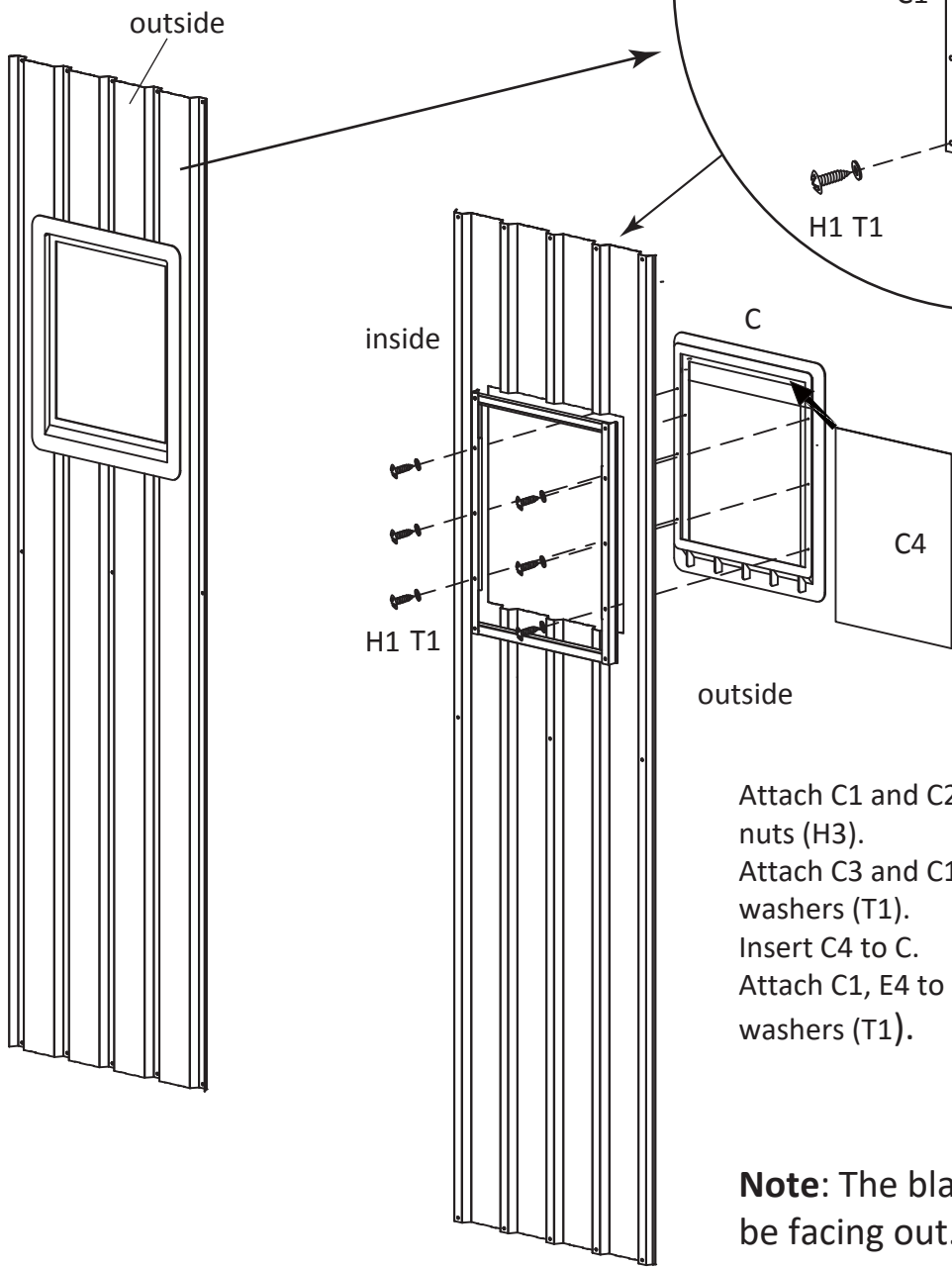
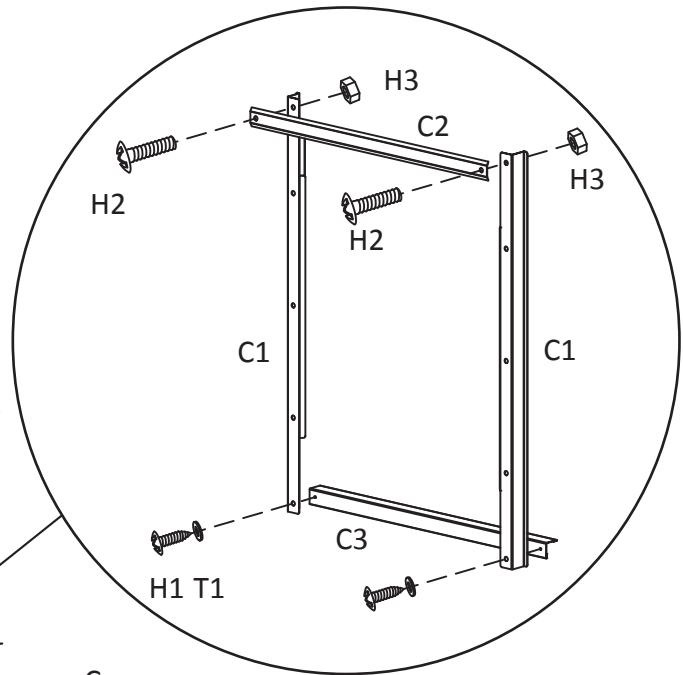
- a: Attach F2 to F3 using one bolt (H1) and one washer (T1).
- b: Attach E3 and E2 to F2 using eleven bolts (H1) and eleven washers (T1).
- c: Attach E3 and E2 to A1 using five bolts (H1) and five washers (T1).



Step.6

	C*1
	C1*2
	C2*1
	C3*1
	C4*1
	E4*1

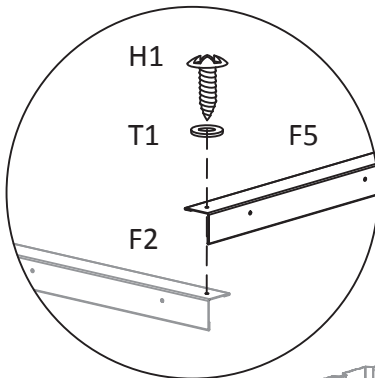
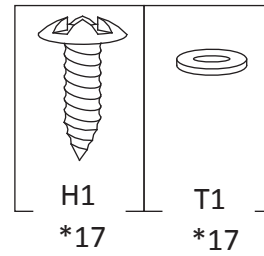
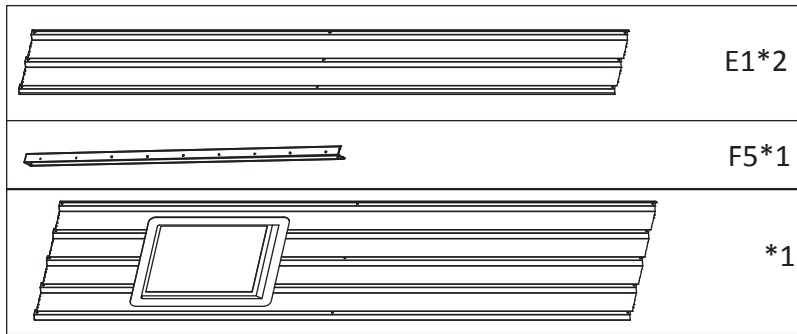
H1	T1	H2	H3
*8	*8	*2	*2



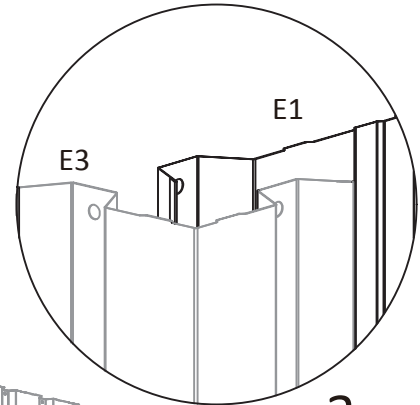
Attach C1 and C2 using two bolts (H2) and two nuts (H3).
 Attach C3 and C1 using two bolts (H1) and two washers (T1).
 Insert C4 to C.
 Attach C1, E4 to C using six bolts (H1) and six washers (T1).

Note: The black / brown side should be facing out.

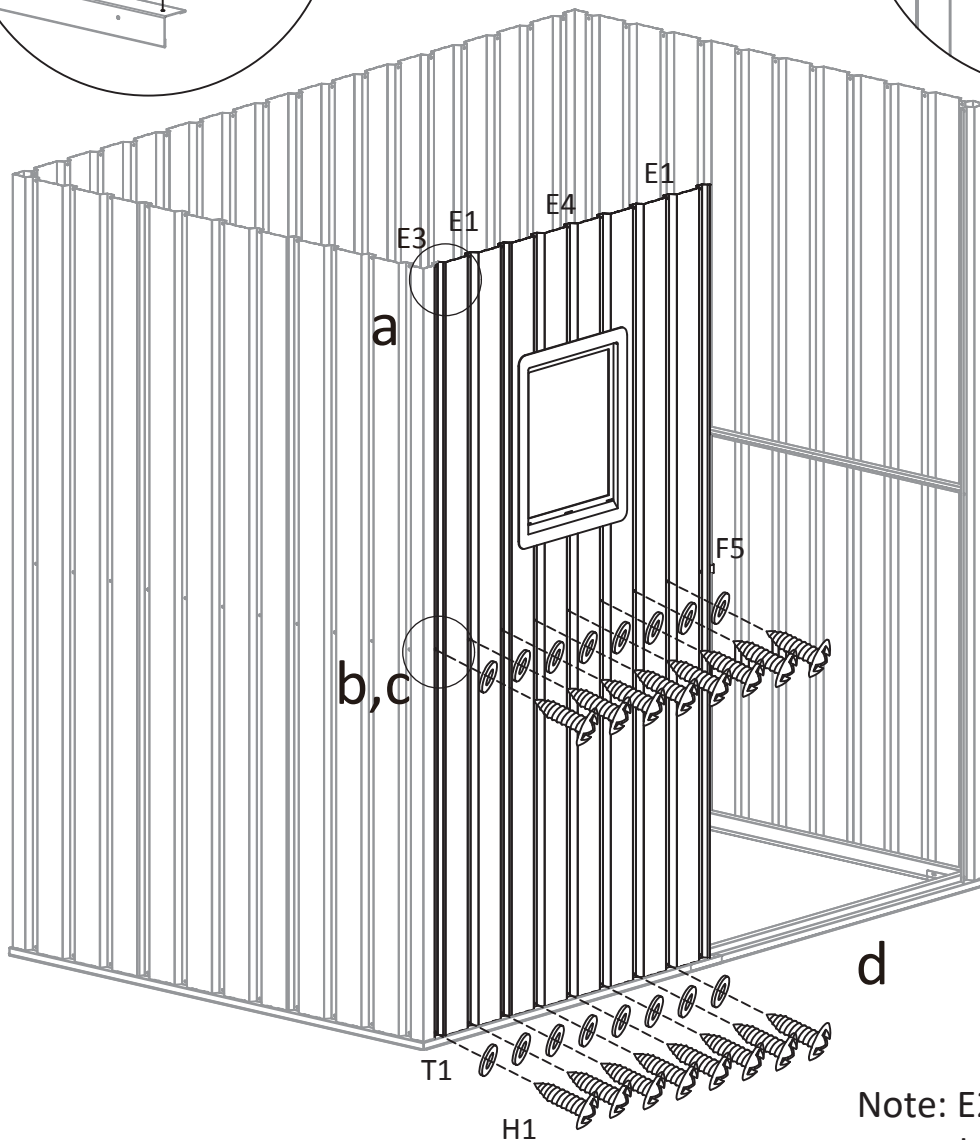
Step.7



b



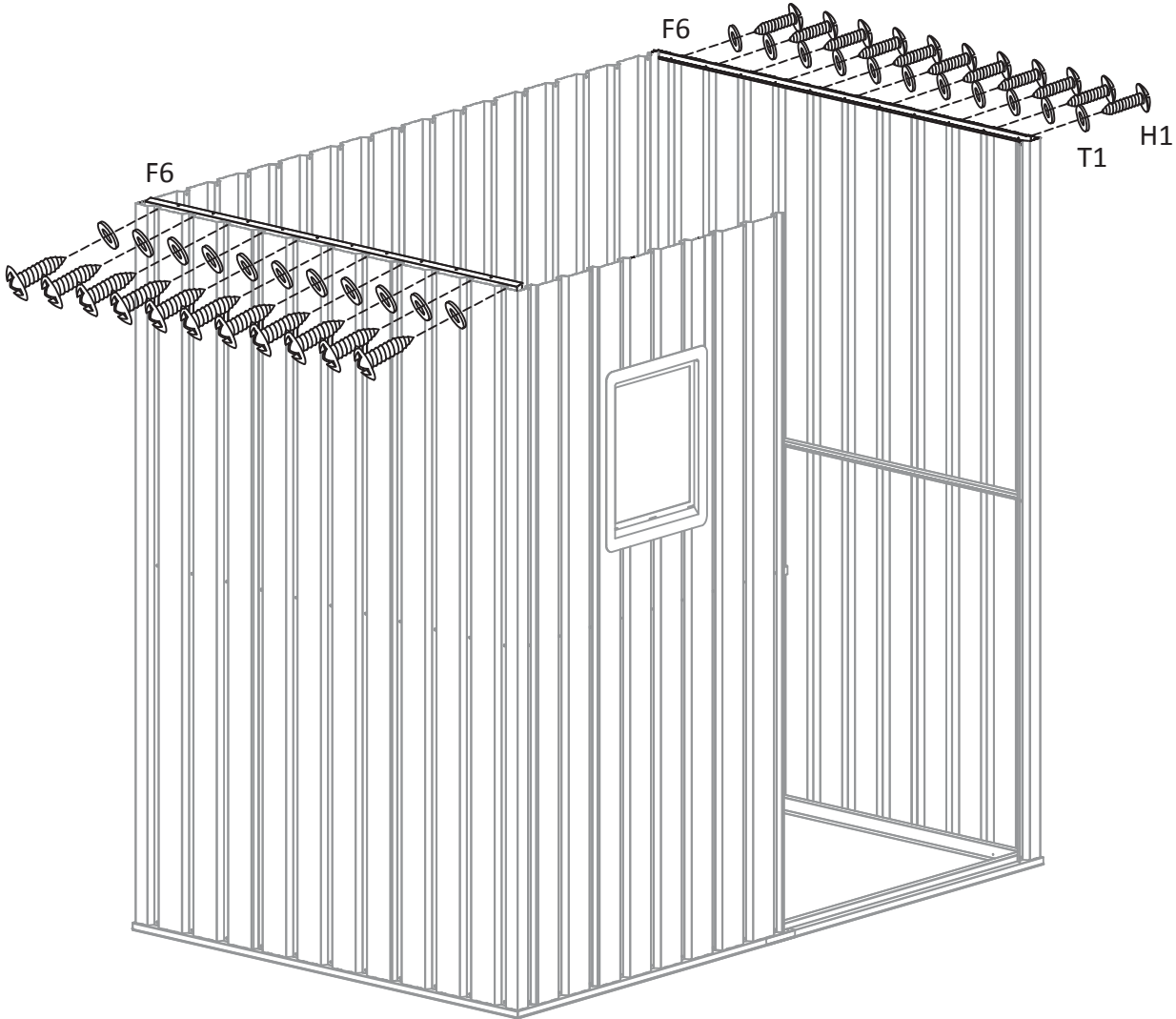
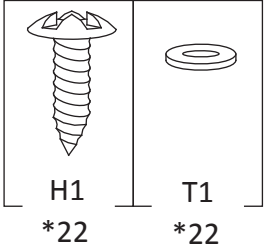
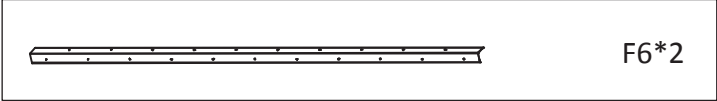
a



Note: E2 and E4 could be assembled interchangeably.




- b: Attach F5 to F2 using one bolt (H1) and one washer (T1).
- c: Attach E3, E1, E4 and E1 to F5 using eight bolts (H1) and eight washers (T1).
- d: Attach E3, E1, E4 and E1 to A2 using eight bolts (H1) and eight washers (T1).

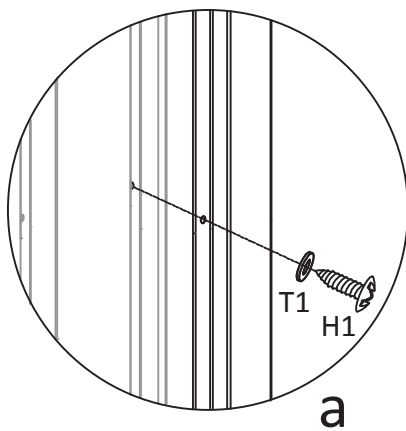
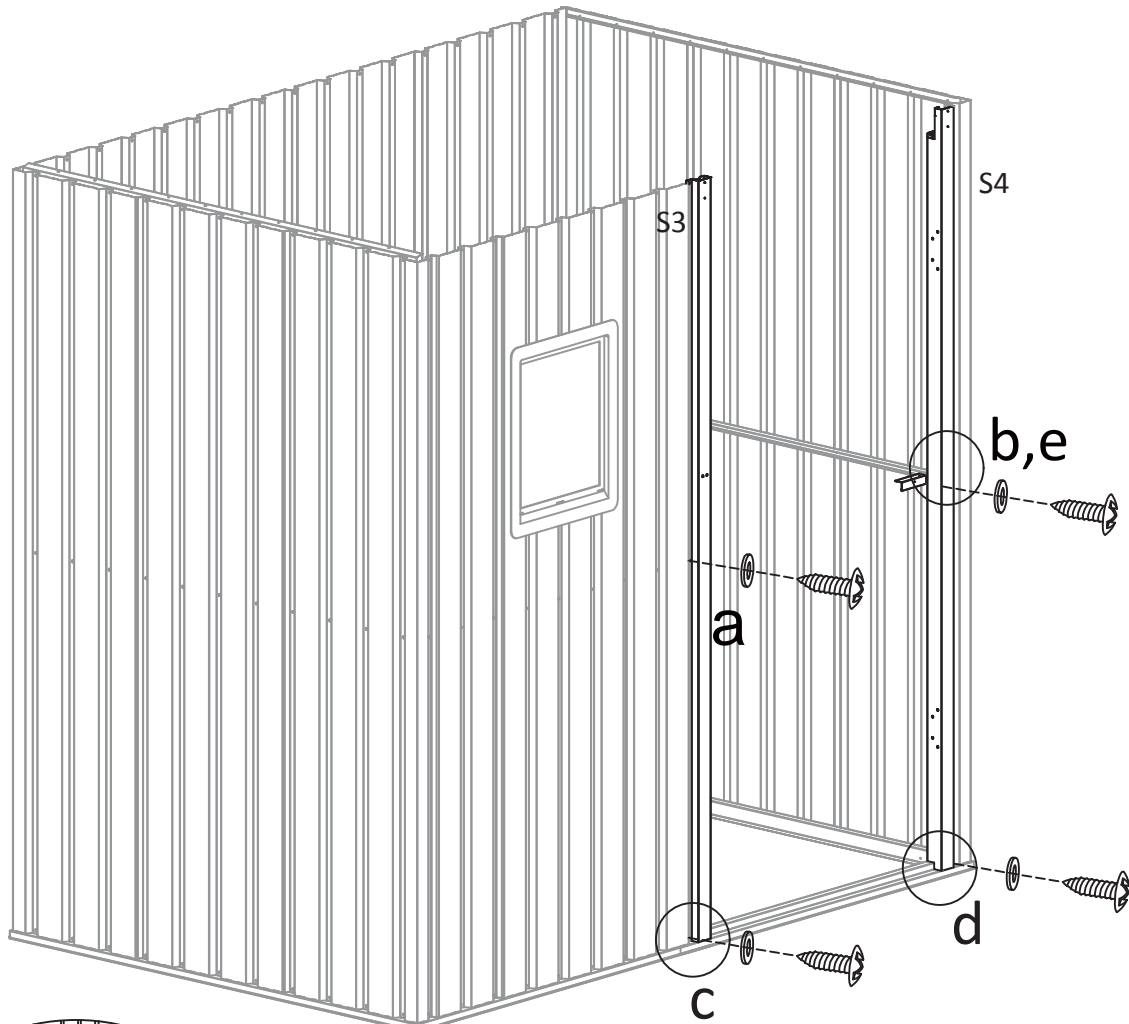
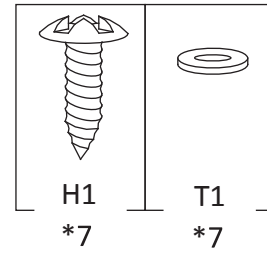
Step.8



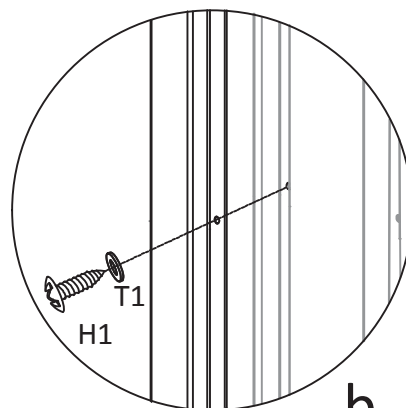
Attach E3 and E2 to F6 using bolts (H1) and washers (T1).

Step.9

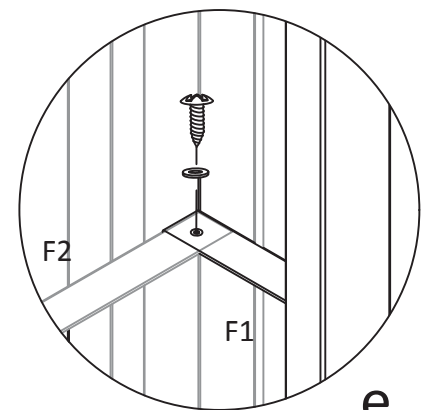
	S3*1
	S4*1
	F1*1



a



b

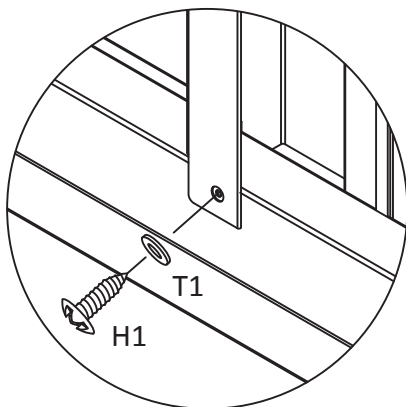
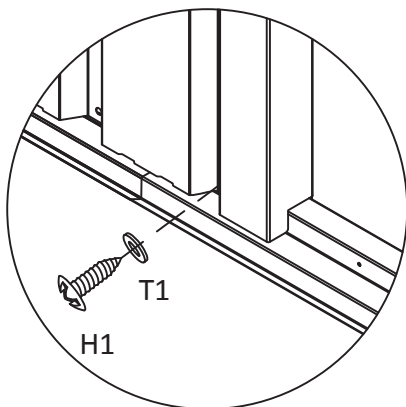
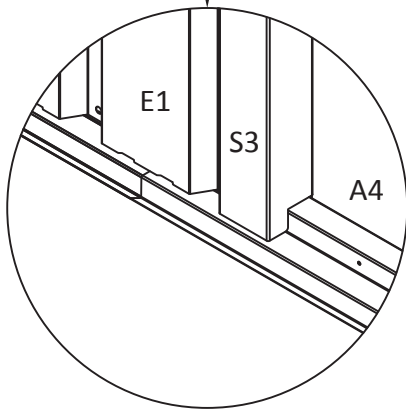
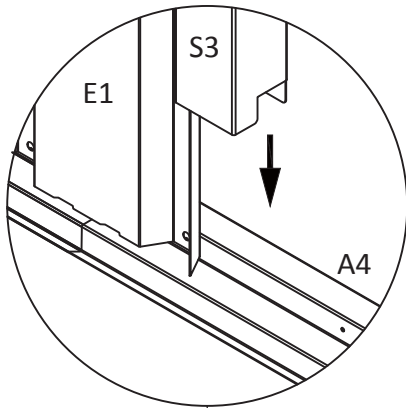


e

- a: Attach S3 and E1 to F5 using one bolt (H1) and one washer (T1).
- b: Attach S4, E3 to F1 using one bolt (H1) and one washer (T1).
- e: Attach F1 to F2 using one bolt (H1) and one washer (T1).

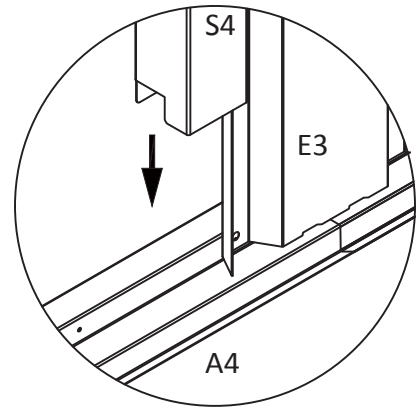
Step.9-2

c: Attach S3 and E1 to A4 using two bolts (H1) and two washers (H1).

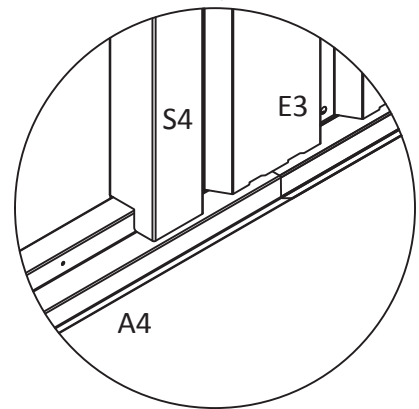


d: Attach S4 and E3 to A4 using two bolts (H1) and two washers (H1).

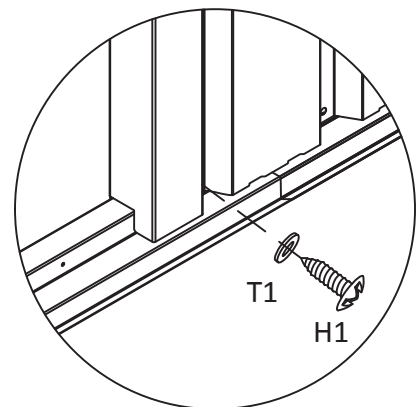
outside



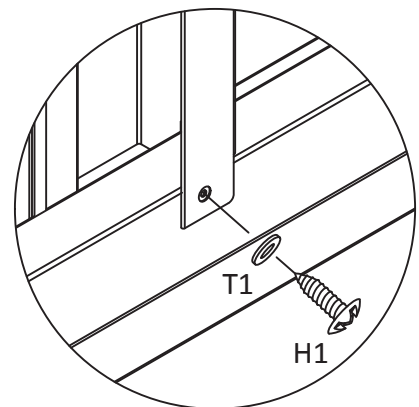
outside



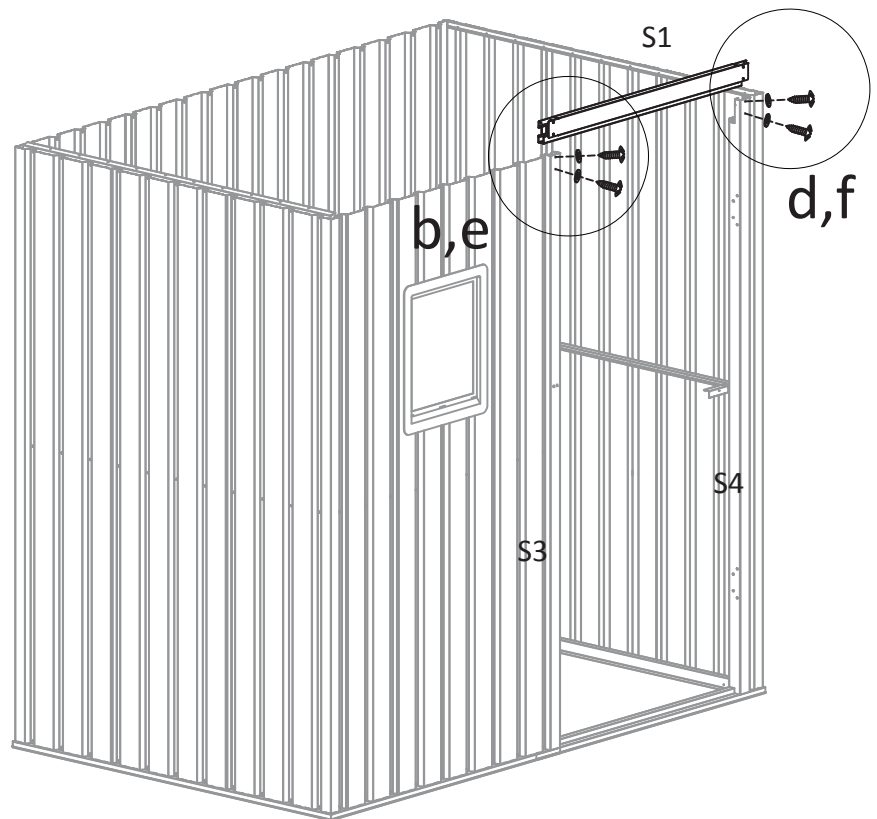
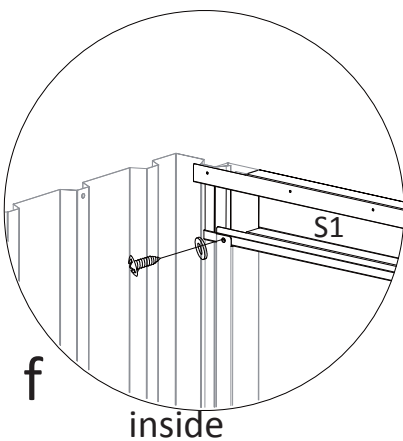
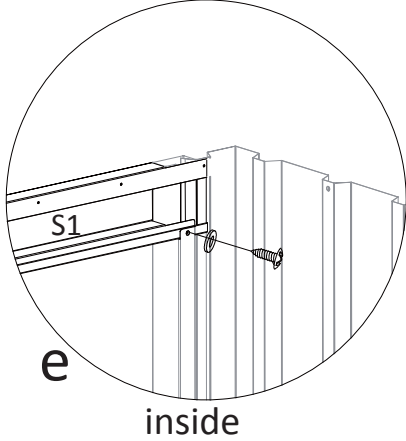
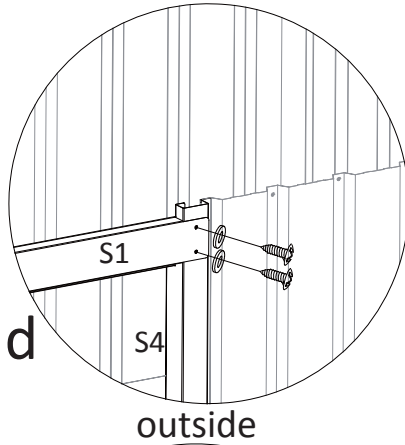
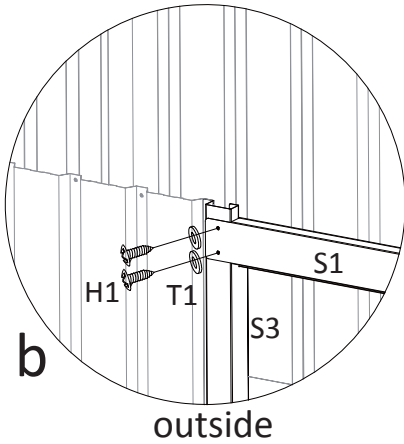
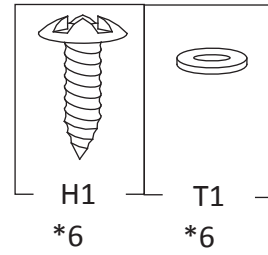
outside



inside



Step.10

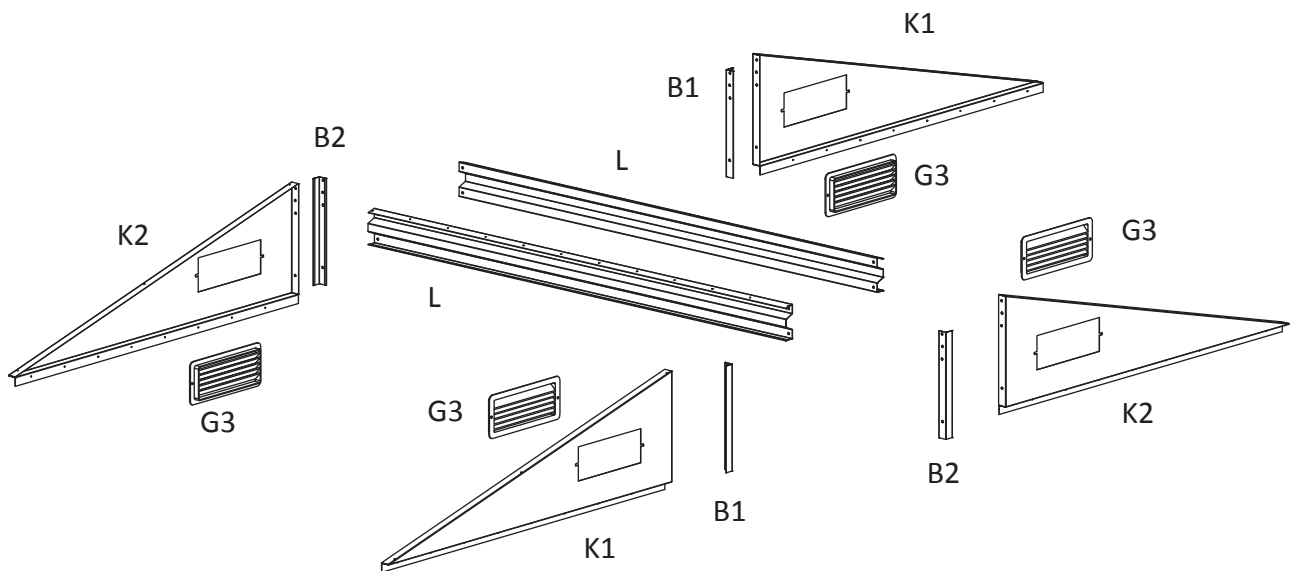


- b: Attach S1 to S3 using two bolts (H1) and two washers (T1).
- d: Attach S1 to S4 using two bolts (H1) and two washers (T1).
- e (inside): Attach S3 to S1 using one bolt (H1) and one washer (T1).
- f (inside): Attach S4 to S1 using one bolt (H1) and one washer (T1).

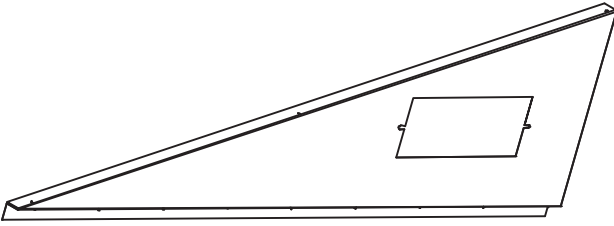
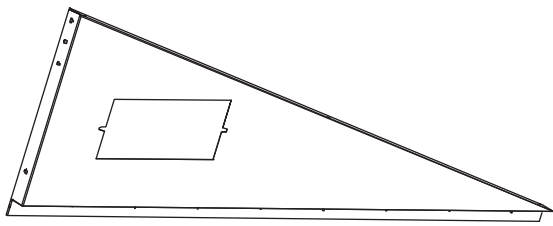


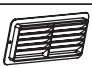
Triangular Panel Exploded View



Before installation, please place the parts in the position as shown in the figure below.

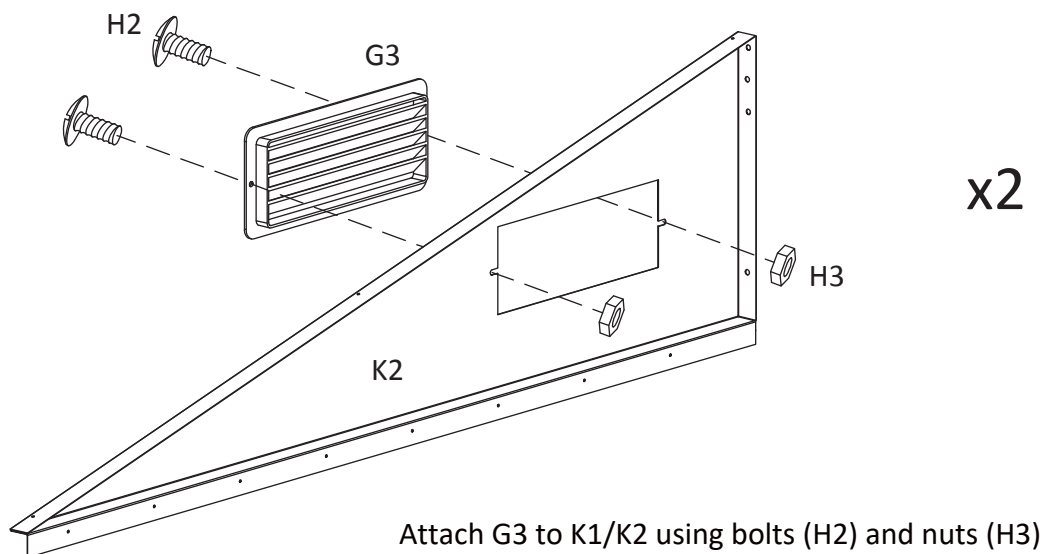
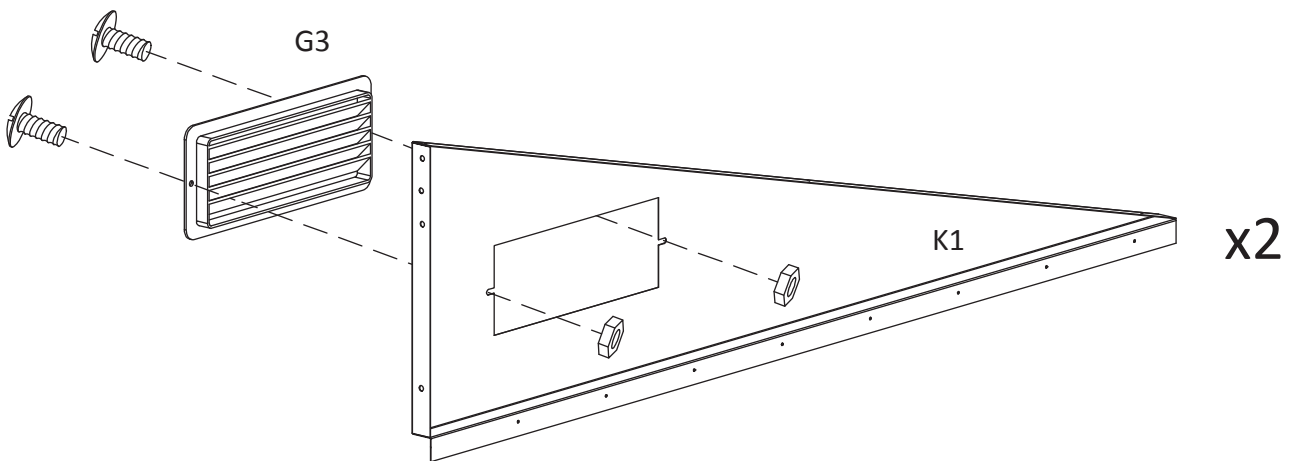
Shed top frame	
No.	Qty.
G3	4
B1	2
B2	2
L	2
K1	2
K2	2



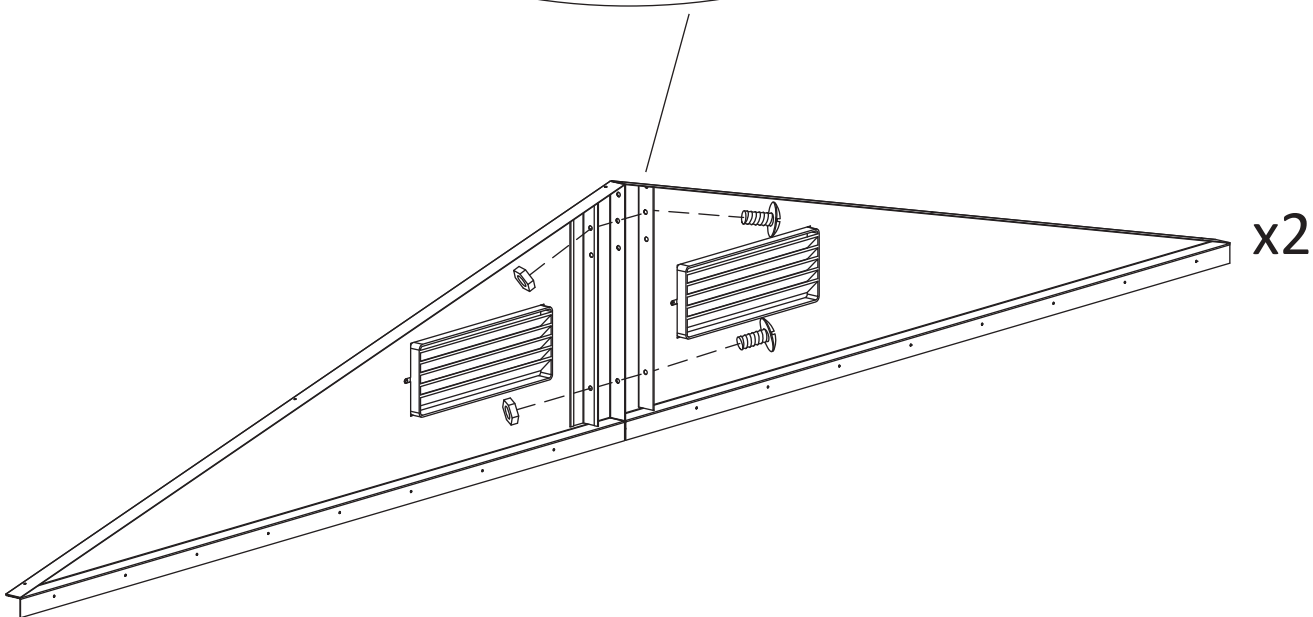
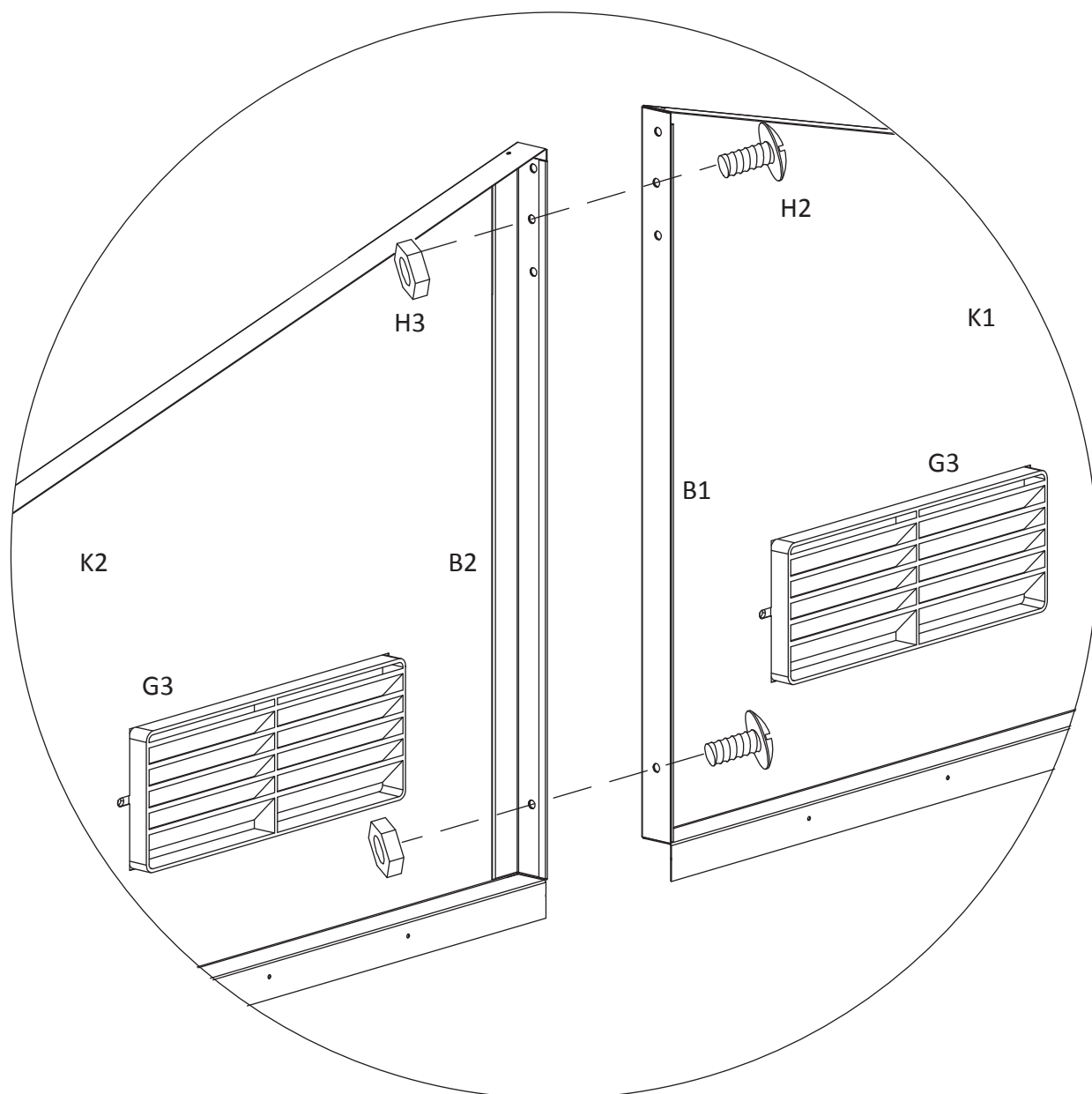
Step.11

	K1*2
	K2*2
	B1*2
	B2*2
	G3*4

	
H2	H3
*12	*12

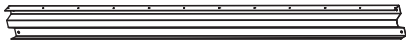
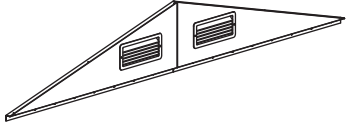


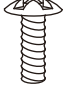

Attach G3 to K1/K2 using bolts (H2) and nuts (H3).

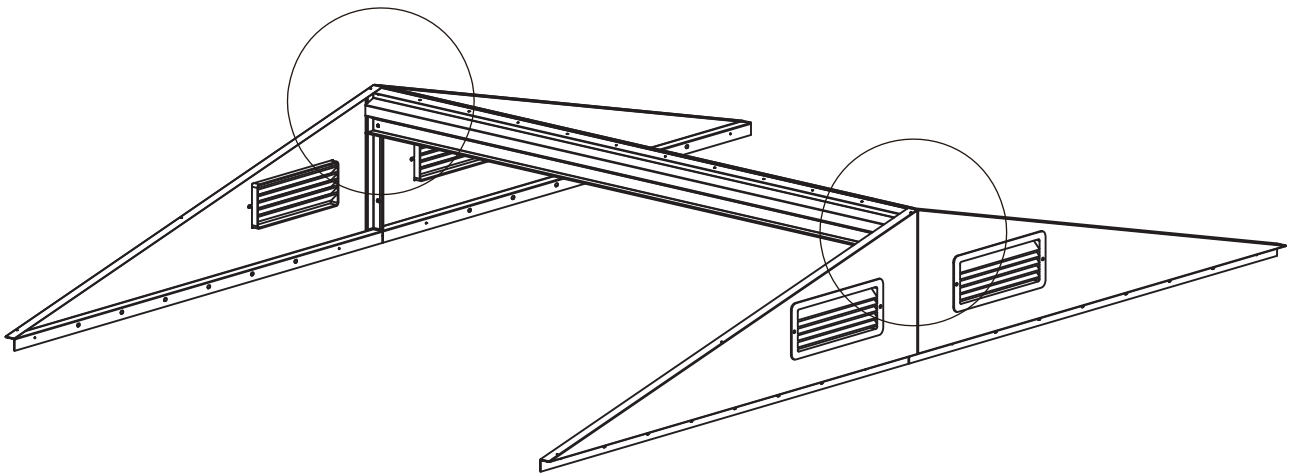
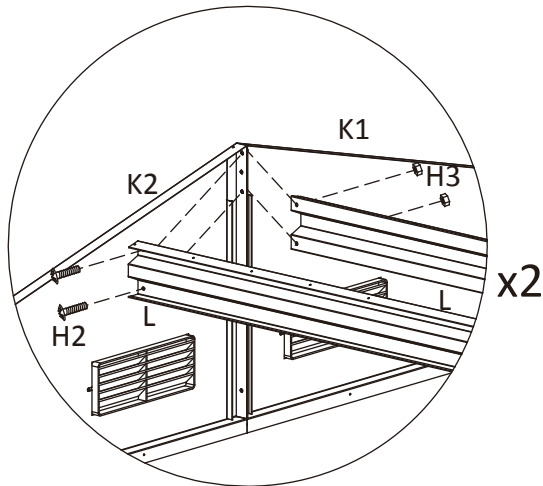


Attach K1, B1, K2 and B2 using bolts (H2) and nuts (H3).

Step.12

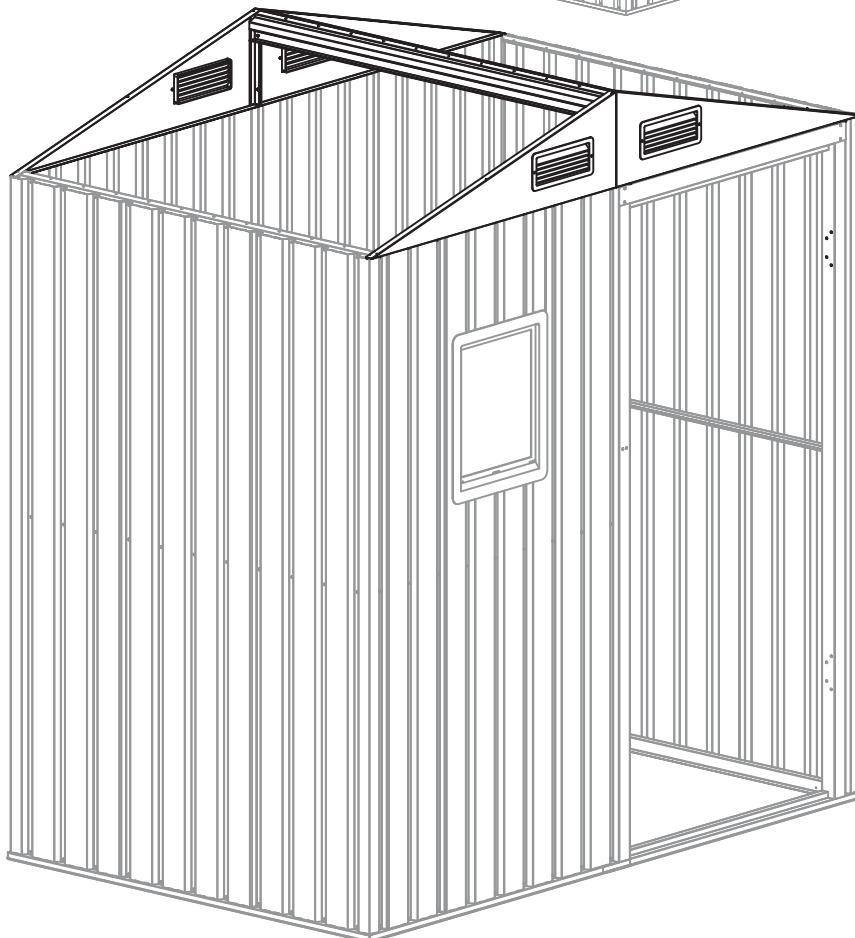
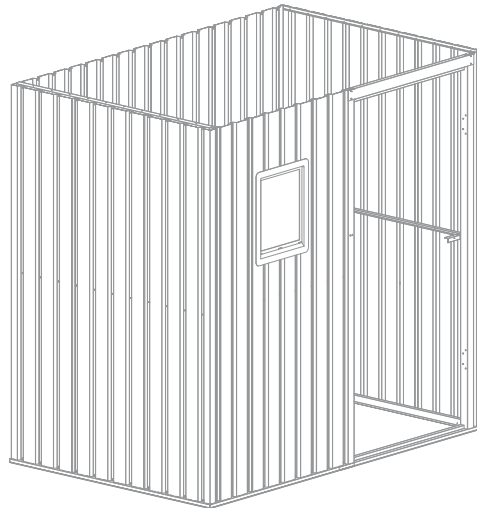
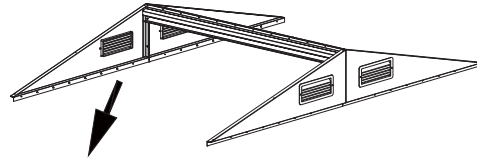
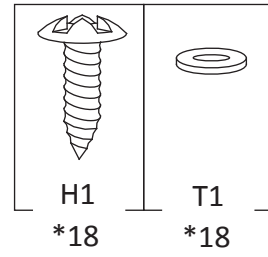
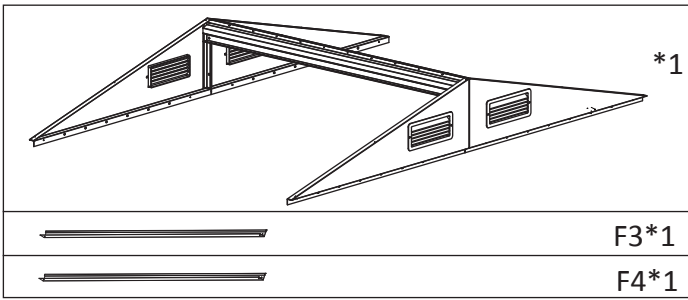
	L*2
	*2

	
H2	H3
*4	*4

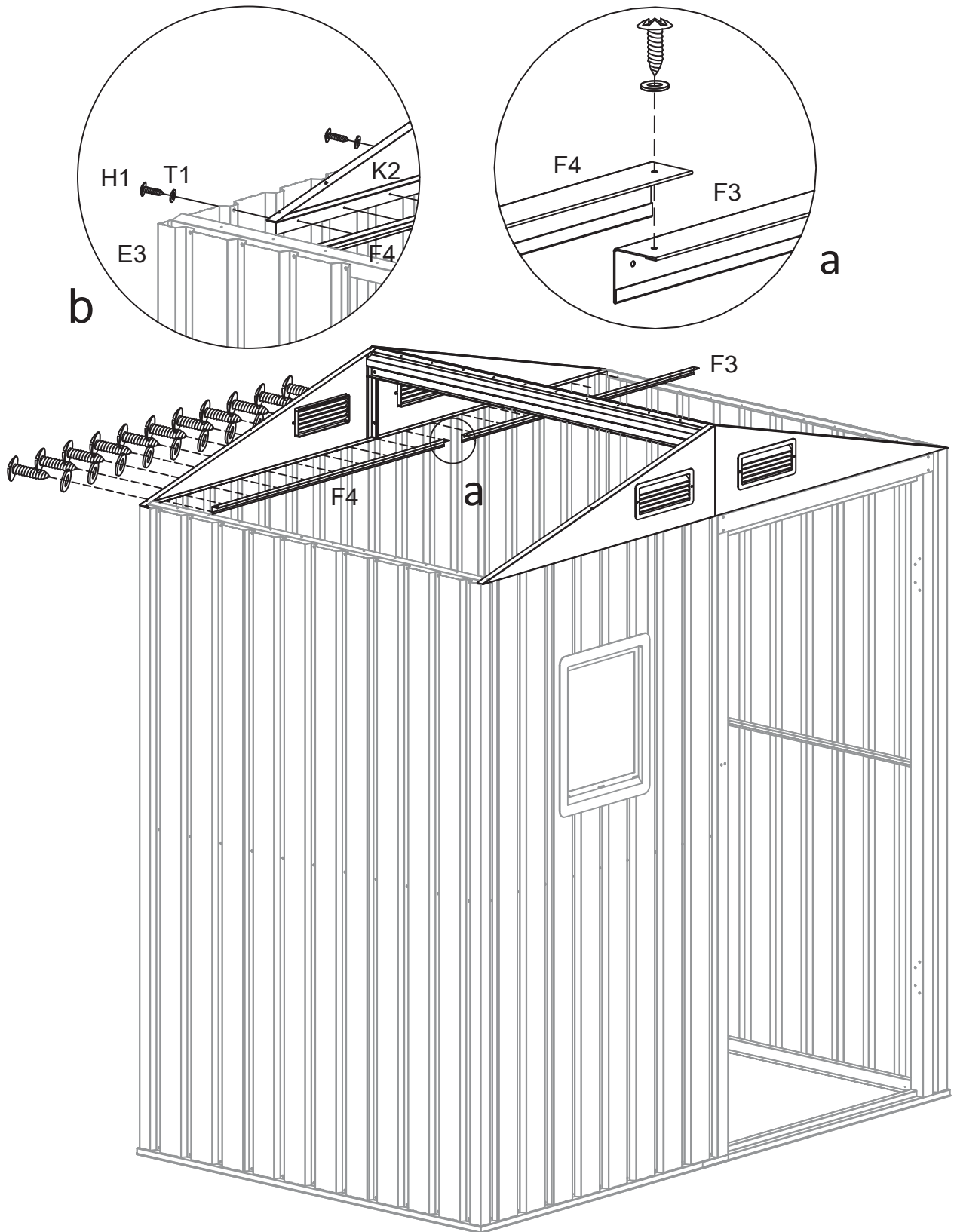


Attach L, K1, K2 and L using four bolts (H2) and four nuts (H3).

Step.13

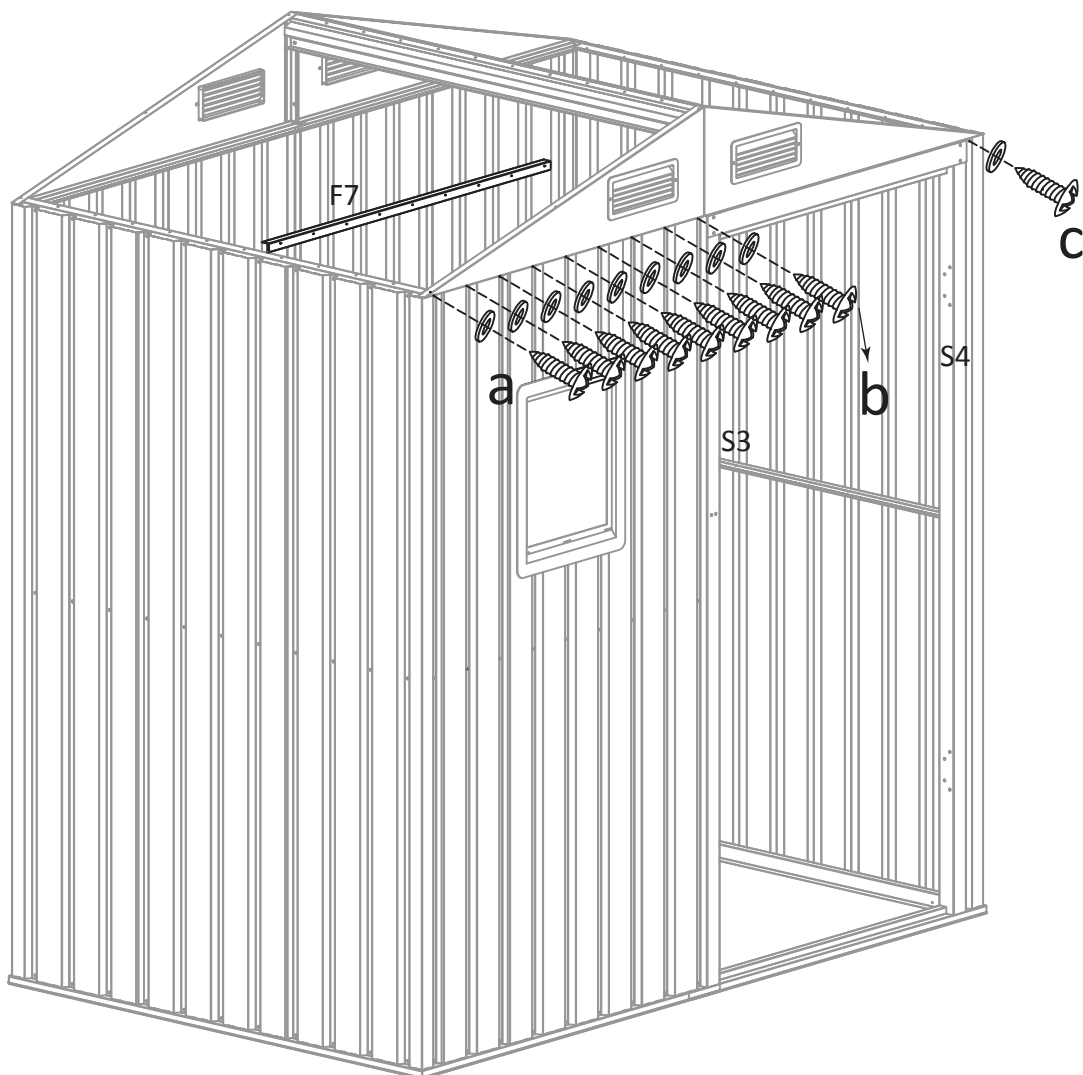
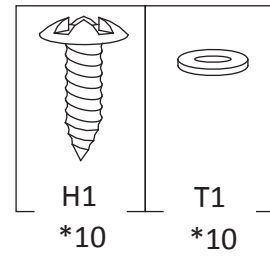
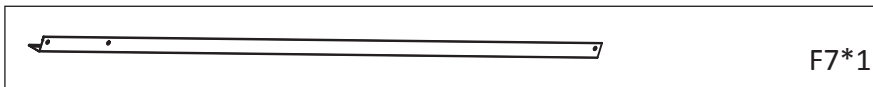


Step.13-2



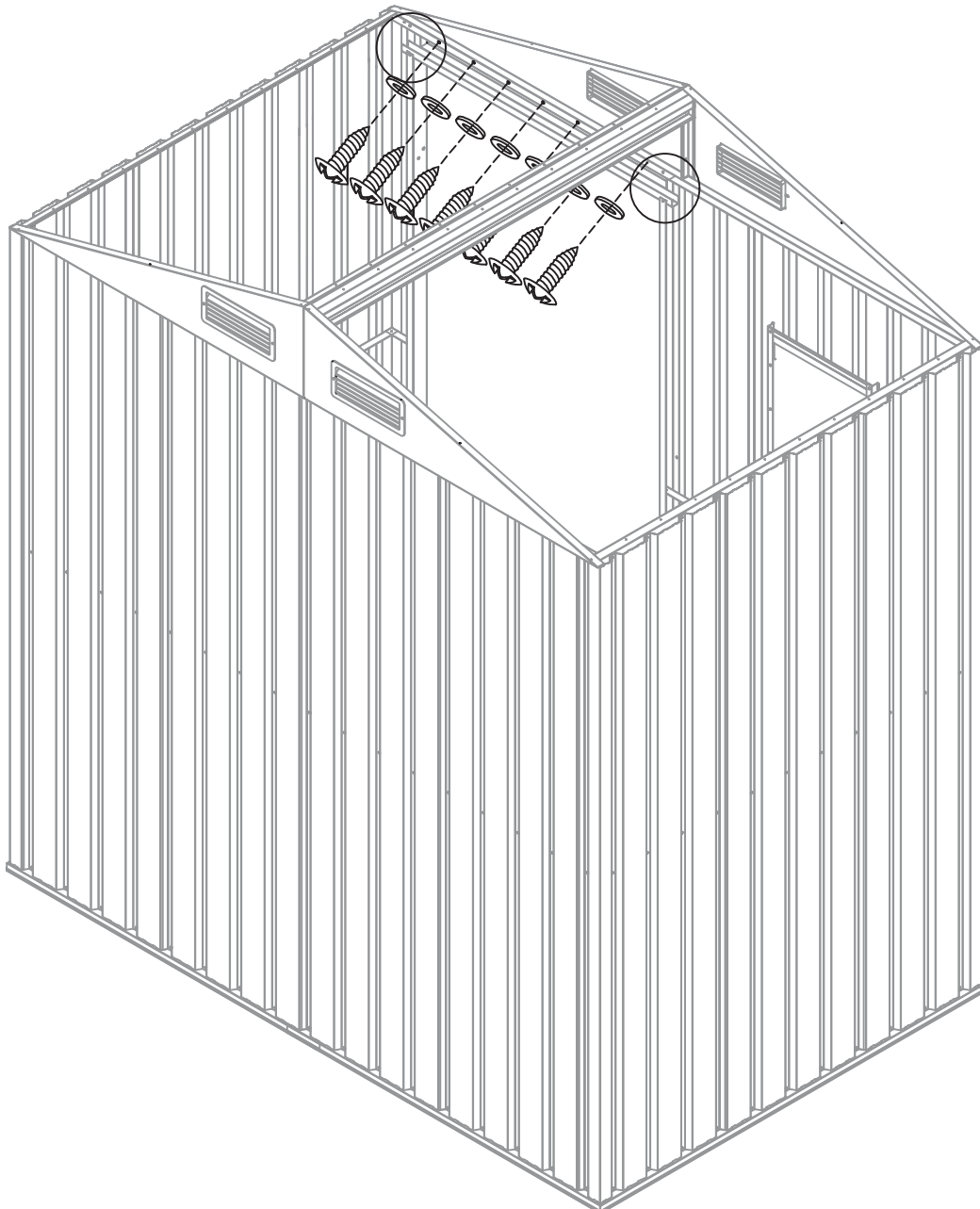
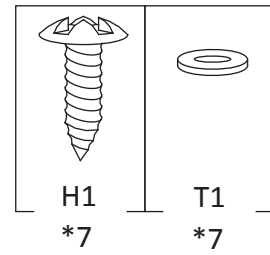
- a: Attach F3 to F4 using one bolt (H1) and one washer (T1).
- b: Attach E3 and E2, as well as K1 and K2, to F3 and F4 using seventeen bolts (H1) and seventeen washers (T1). Ensure that K1 and K2 are positioned between E3, E2, and F3, F4.

Step.14

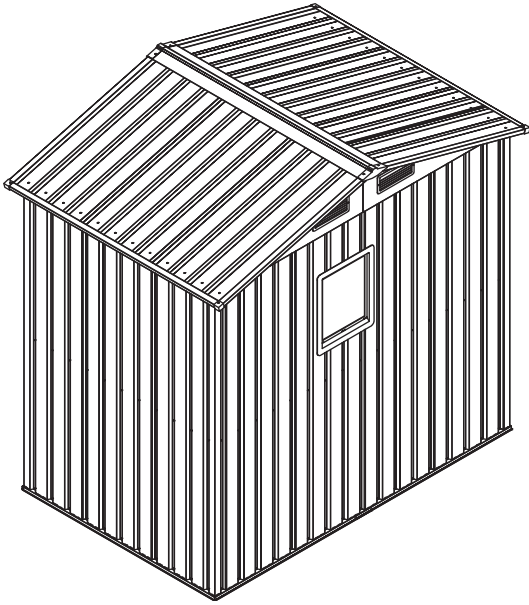


- a: Attach E3/E1/E4 and K1 to F7 using eight bolts (H1) and eight washers (T1).
- b: Attach S3, E1 and K1 to F7 using one bolt (H1) and one washer (T1).
- c: Attach S4, E3 and K2 to S1 using one bolt (H1) and one washer (T1).

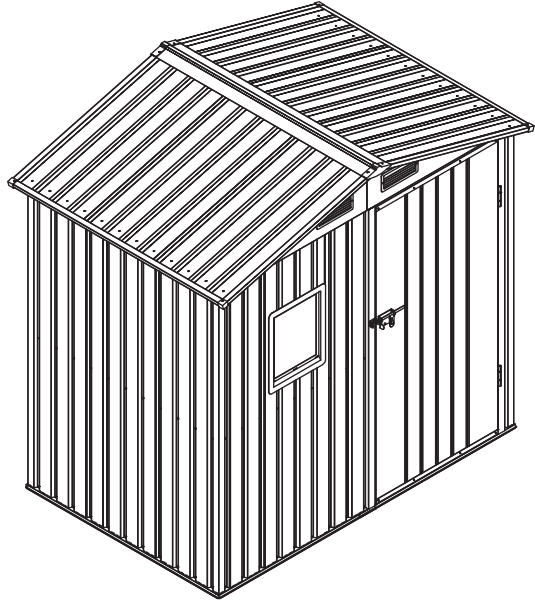
Step.14-2



Attach K2 to S1 using seven bolts (H1) and seven nuts (T1).

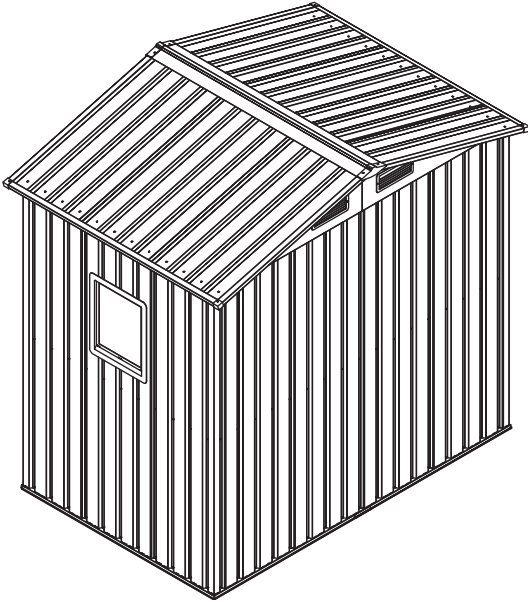


&

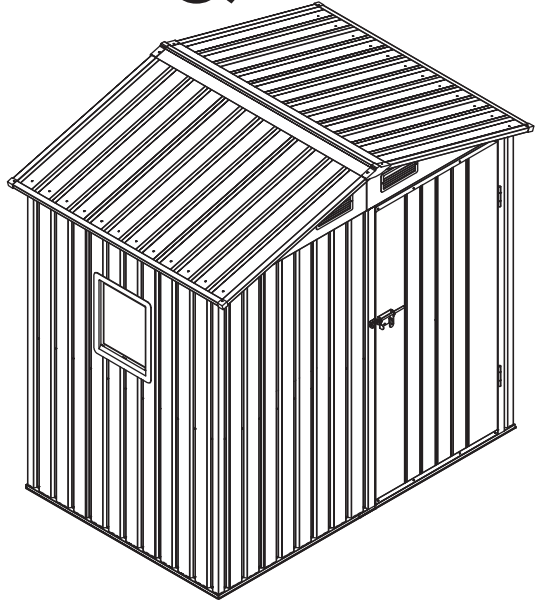


&

&



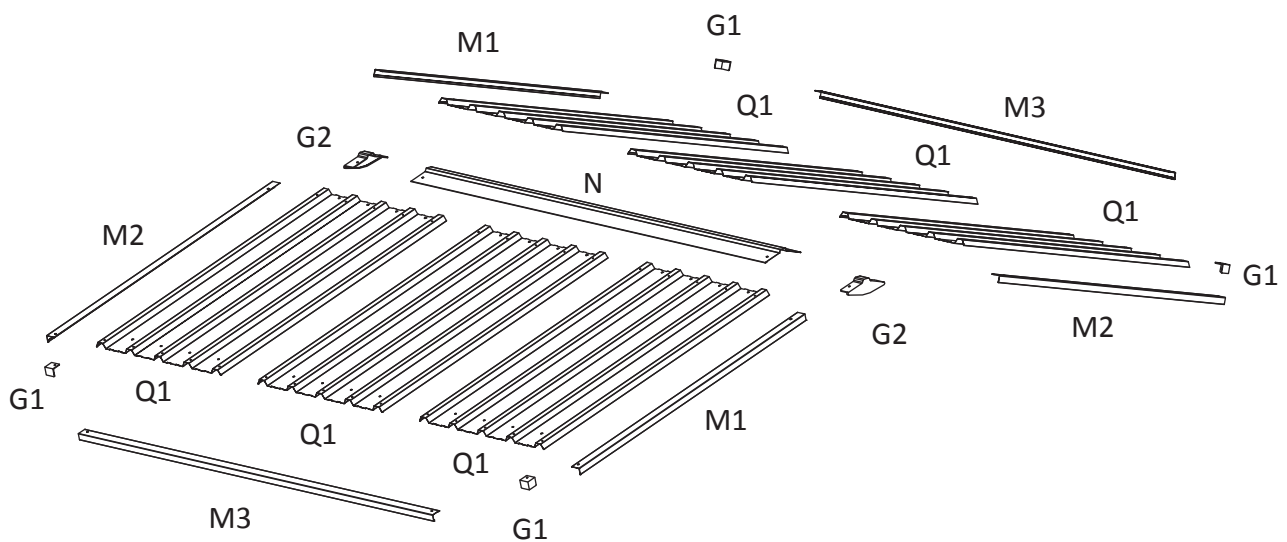
&



Top panels Exploded View

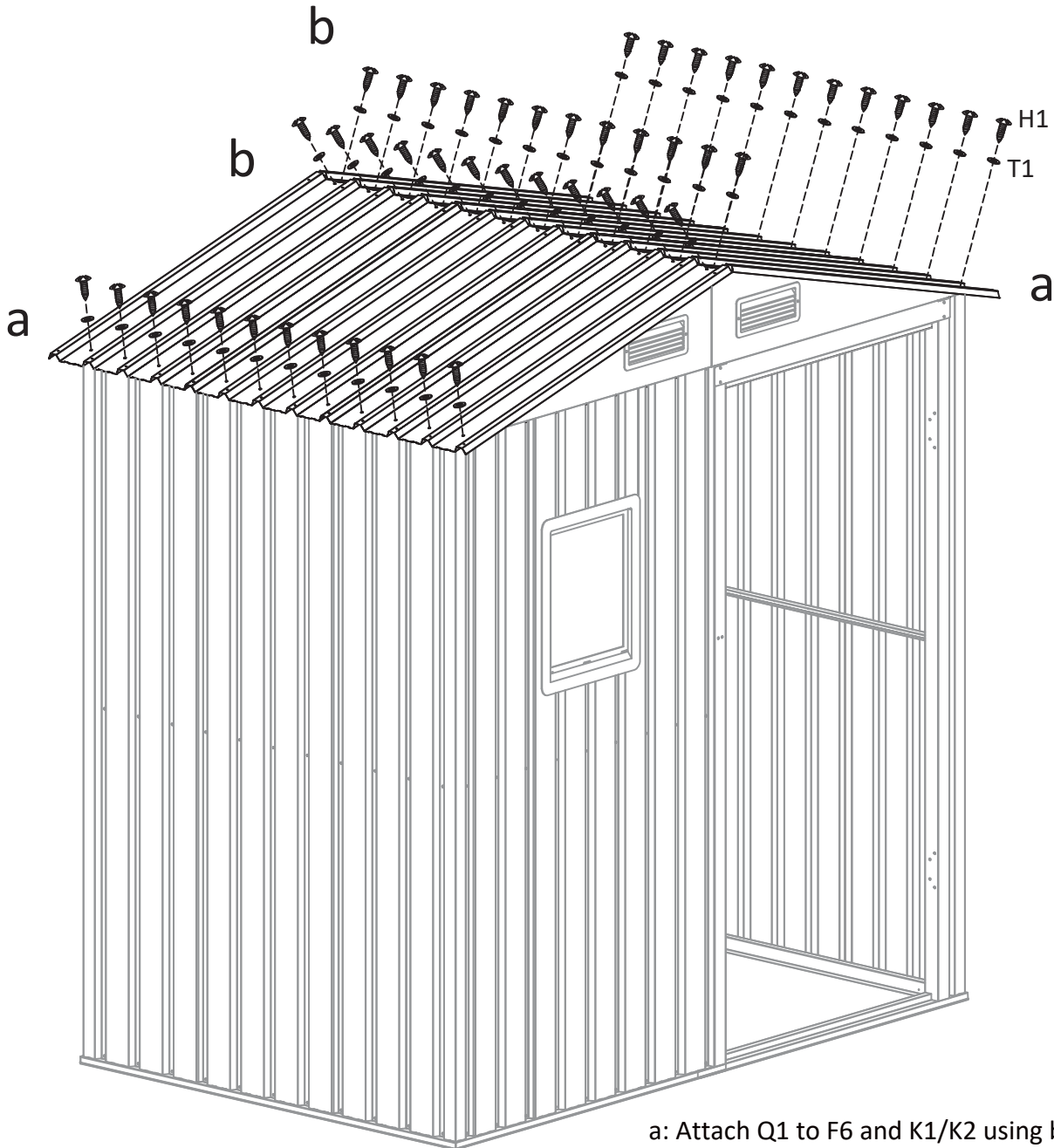
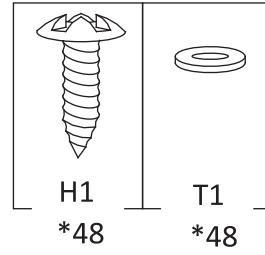
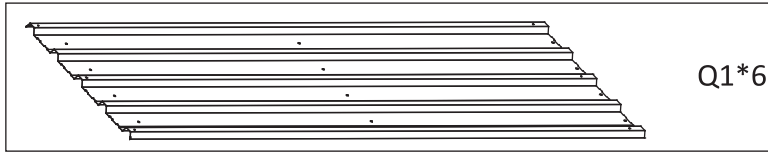
Before installation, please place the parts in the position as shown in the figure below.

Shed top panels	
No.	Qty.
G1	4
G2	2
M1	2
M2	2
M3	2
Q1	6
N	1



Note: The black side should be facing out.

Step.15







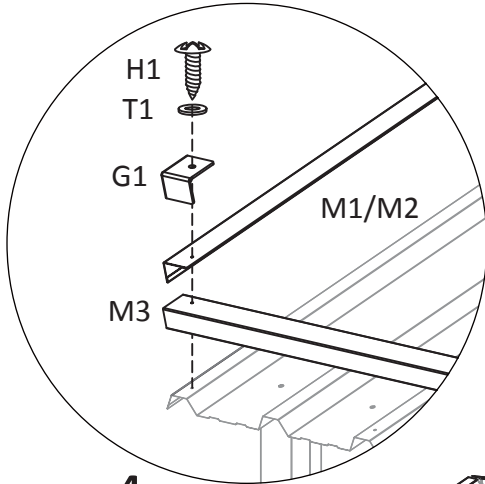
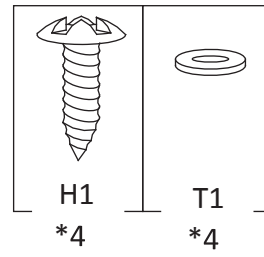
a: Attach Q1 to F6 and K1/K2 using bolts (H1) and washers (T1).

b: Attach Q1 to L and K1/K2 using bolts (H1) and washers (T1).

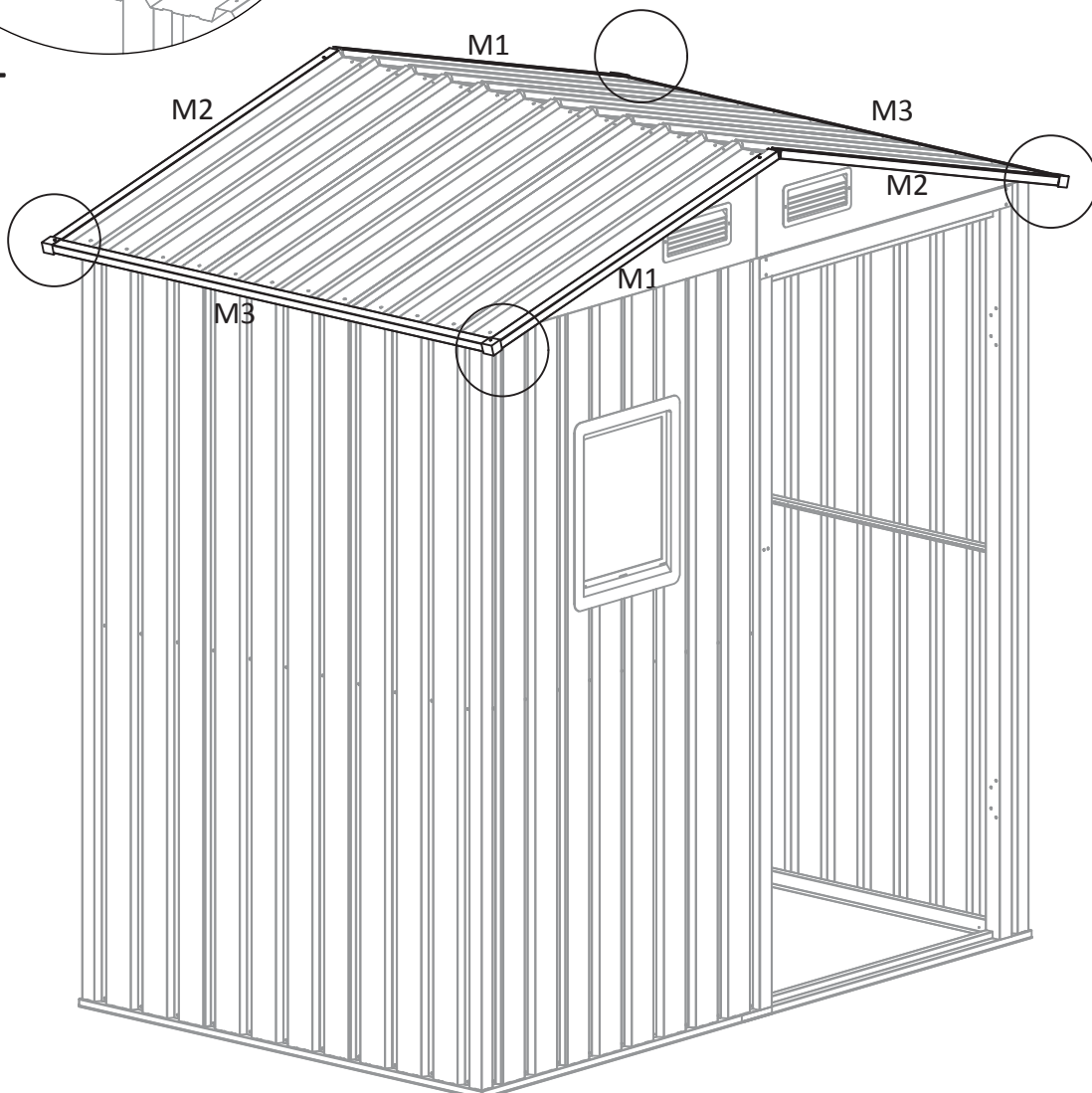
Note: The black side should be facing out.

Step.16

	M1*2
	M2*2
	M3*2
	G1*4

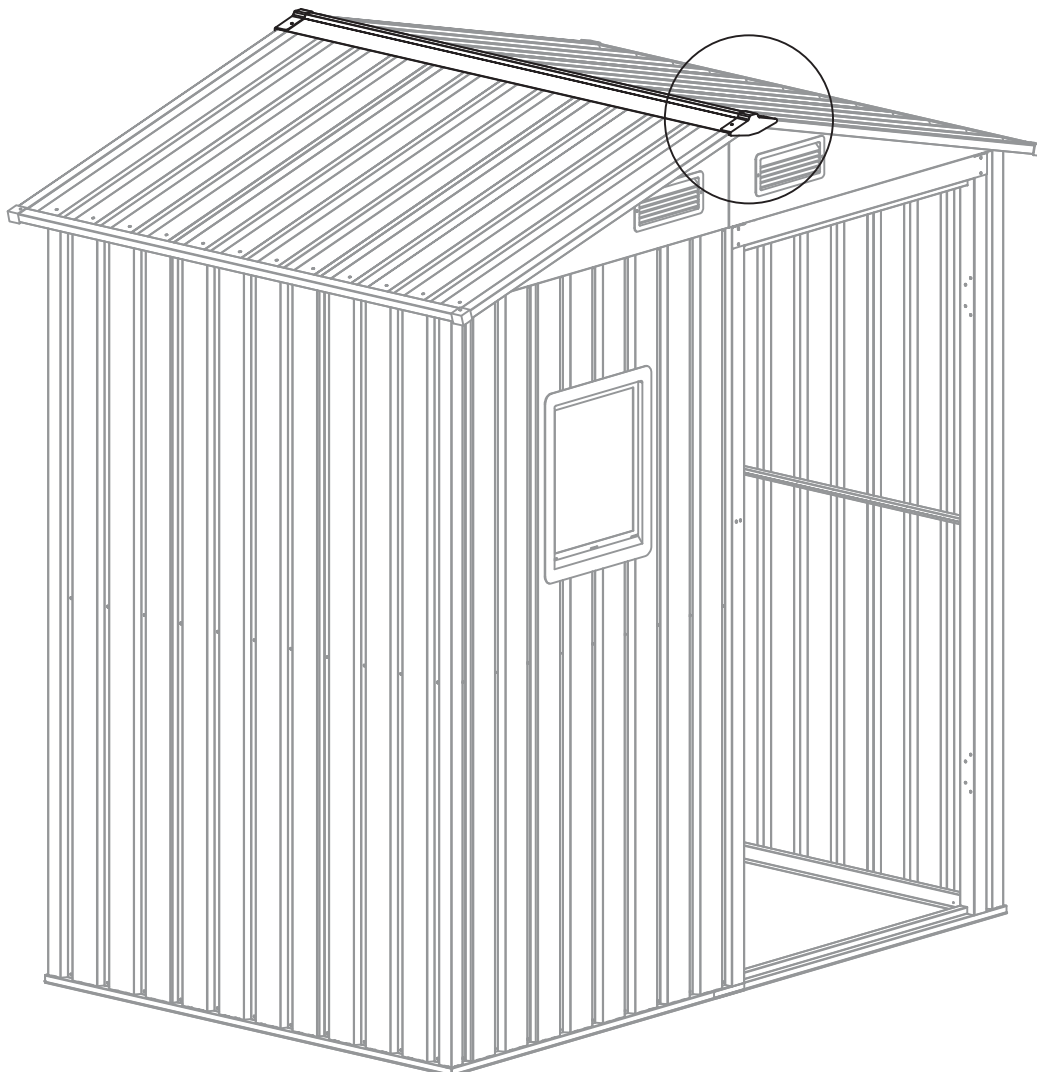
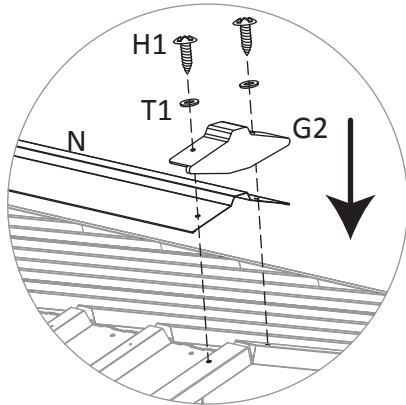
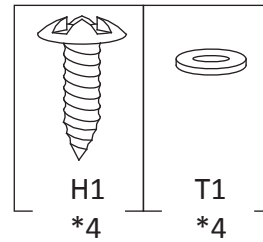
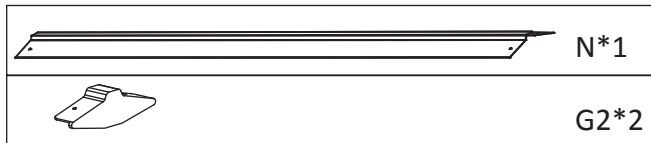


x4



Attach G1, M1/M2, M3 to Q1 using bolts (H1) and washers (T1).

Step 17

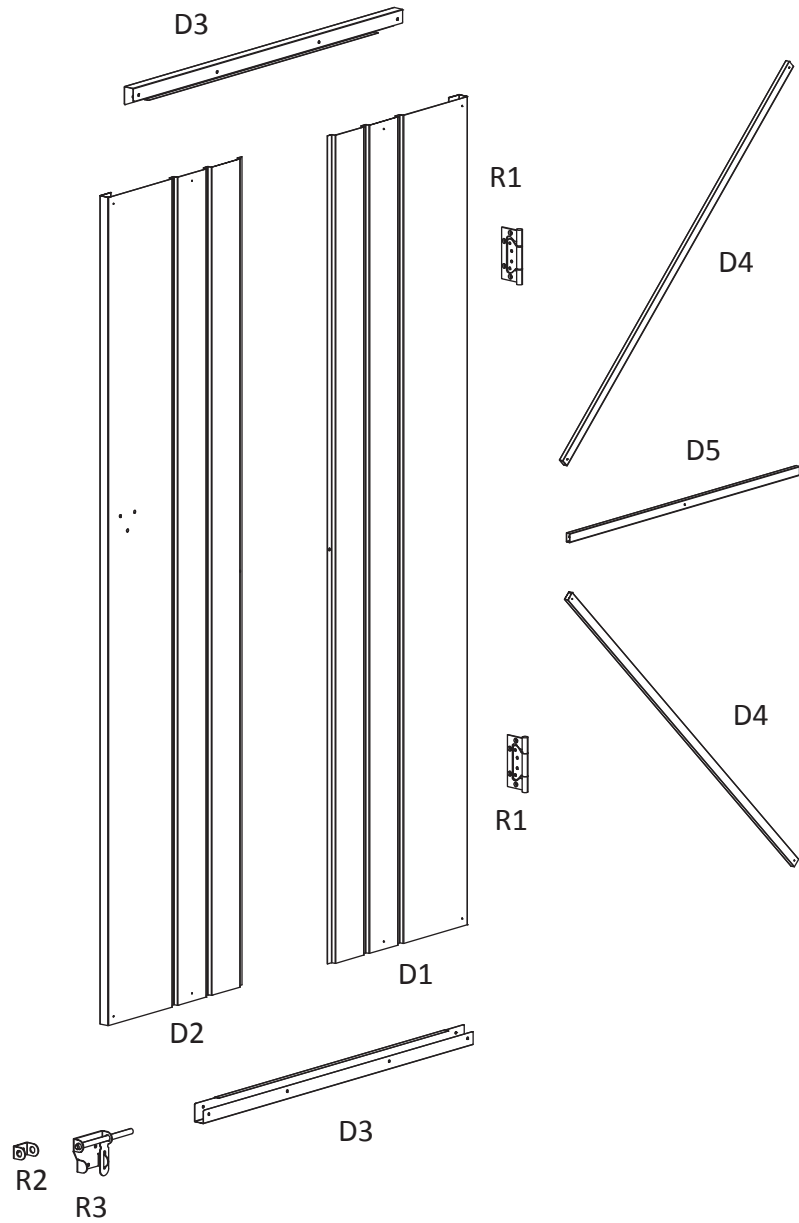


Attach G2, N to Q1 using four bolts (H1) and four washers (T1).
Note: N between G2 and Q1.

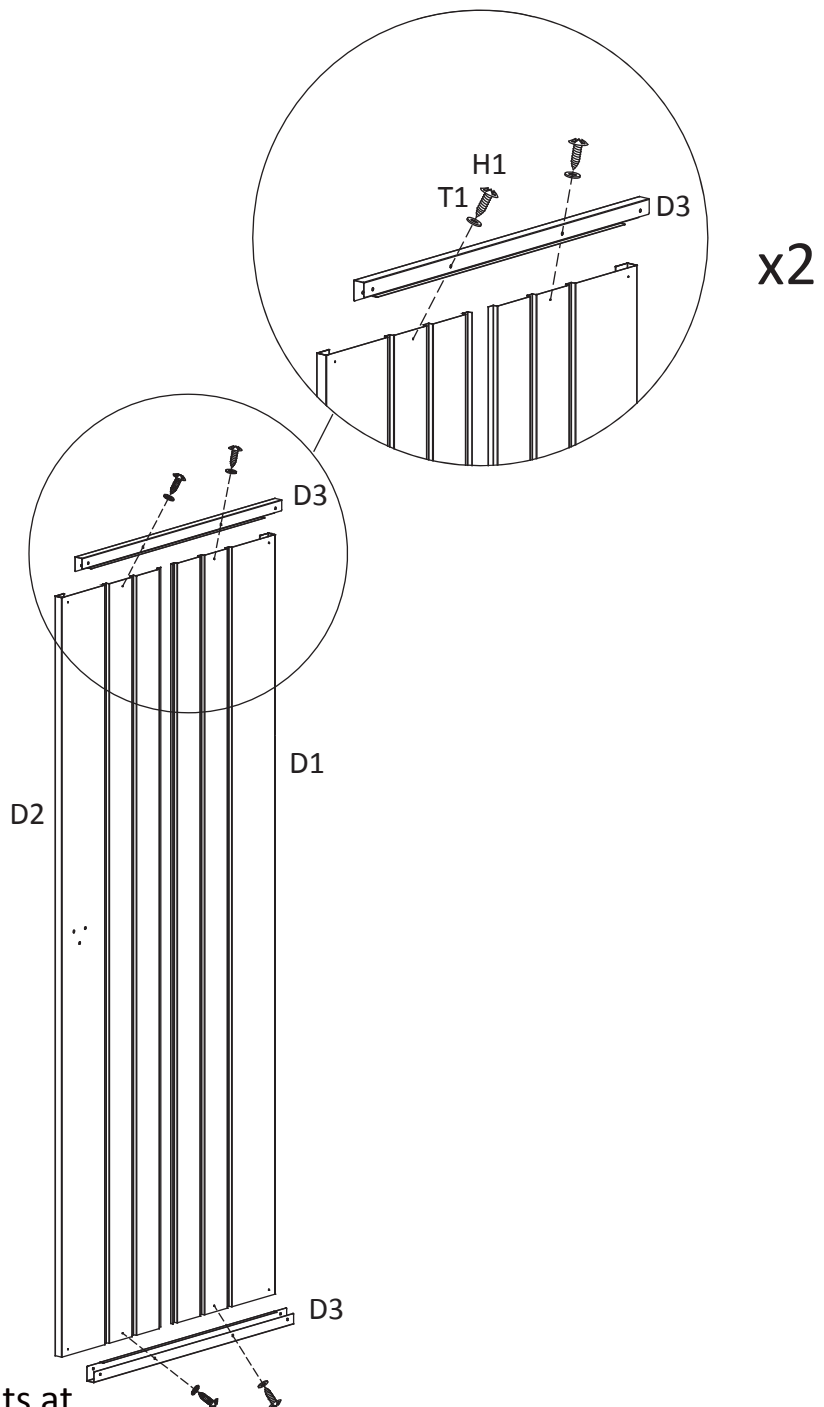
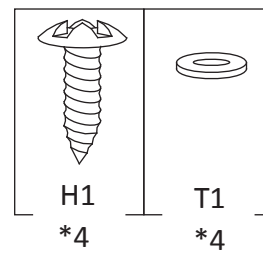
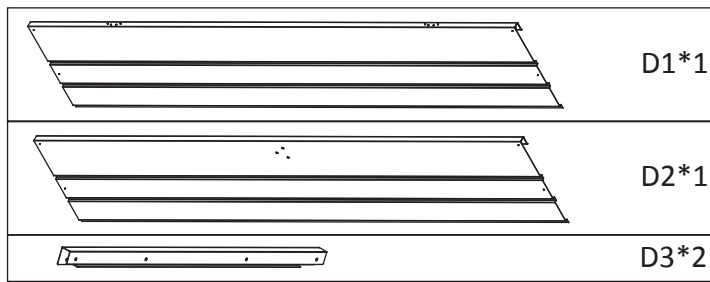
The Door Exploded View

Before installation, please place the parts in the position as shown in the figure below.

Door	
No.	Qty.
D1	1
D2	1
D3	2
D4	2
D5	1
R1	2
R2	1
R3	1



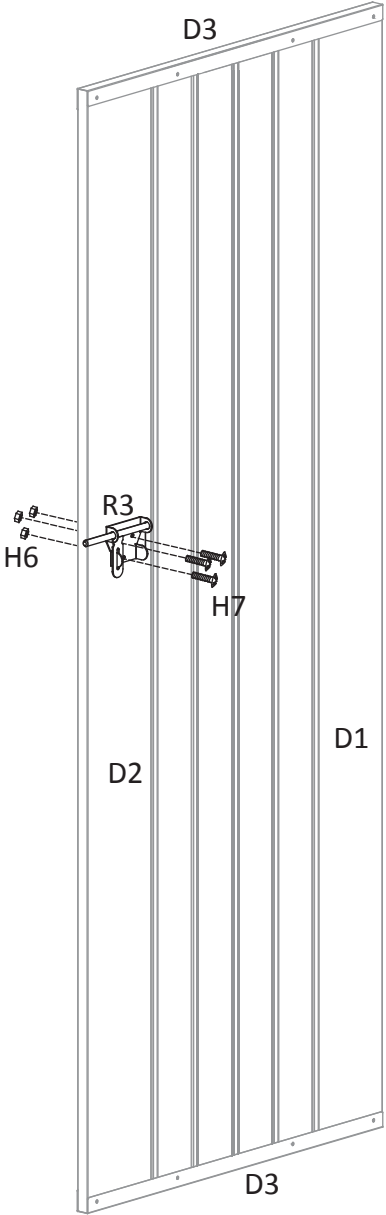
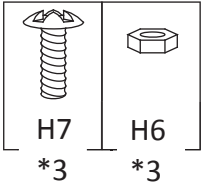
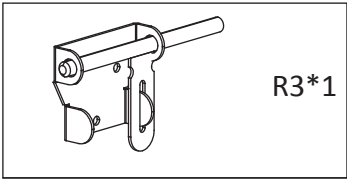
Step.18



Attach D1, D2 to D3 using four bolts (H1) and four washers (T1).



Note: DO NOT tighten the bolts at this step.



Step.19



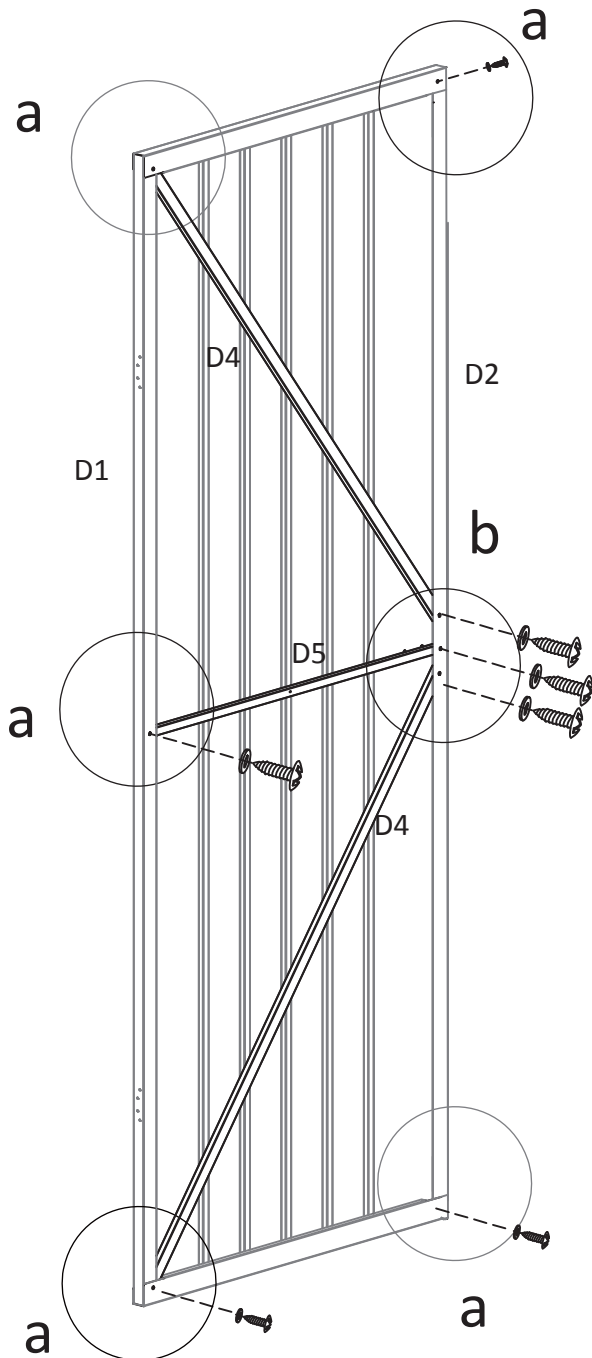
Attach R3 to D2 using three bolts (H7) and three nuts (H6).

Step.20

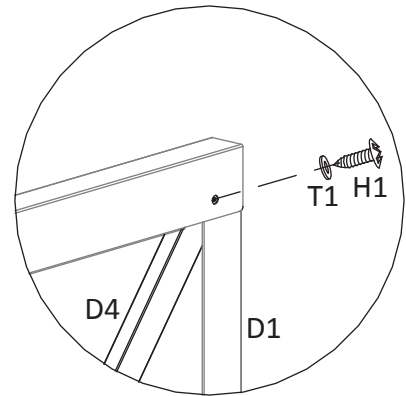
	D4*2
	D5*1

	
H1	T1
*13	*13

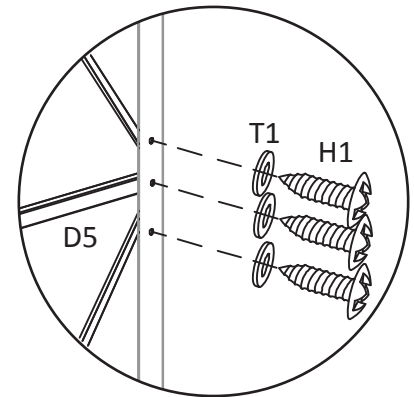
inside of door



ax5



b

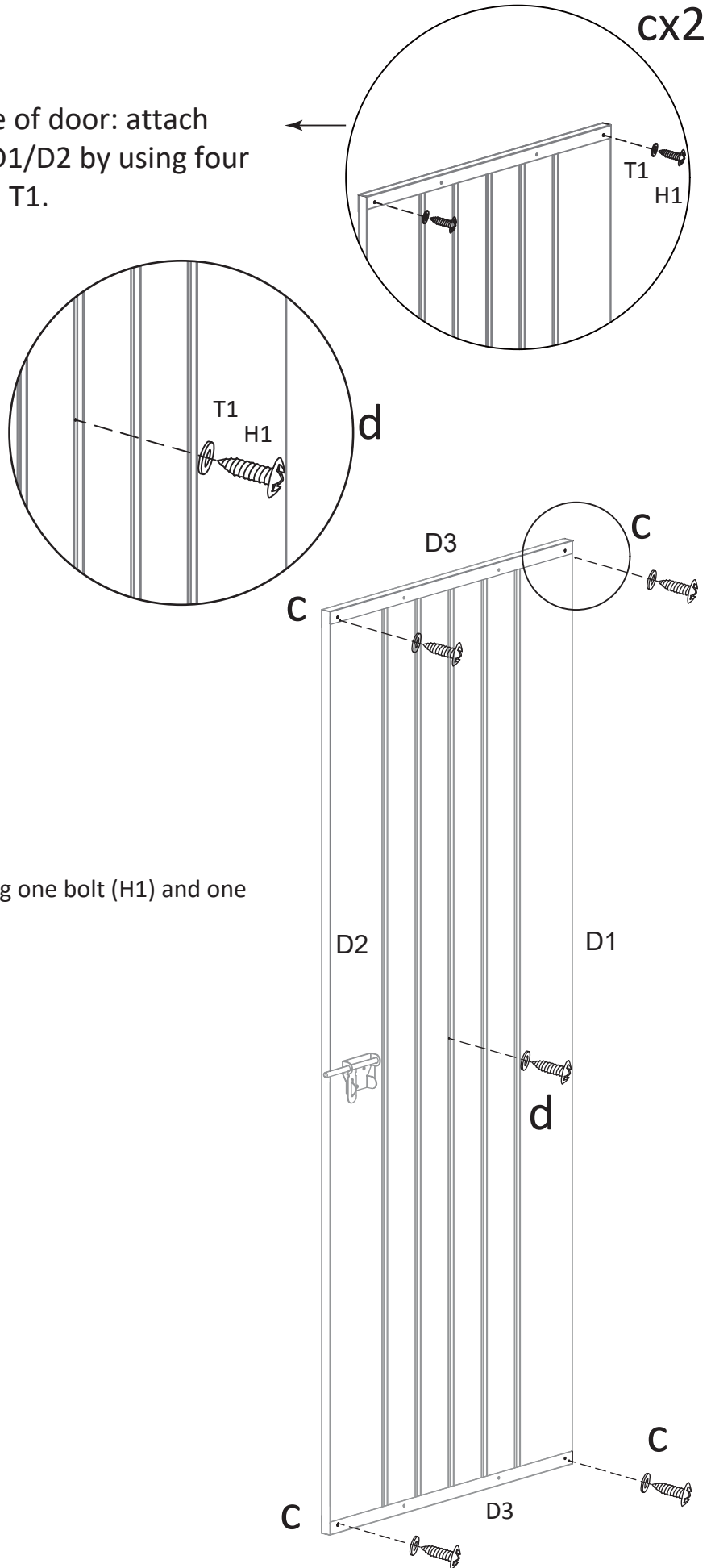


a: Attach D1, D3 and D4 using two bolts (H1) and two washers (T1), attach D3 to D2 using two bolts (H1) and two washers (T1), attach D1 to D5 using one bolt (H1) and one washer (T1).
 b: Attach D2 to D4 and D5 using three bolts (H1) and three washers (T1).

Note: Tighten the bolts from step18 to step 20.

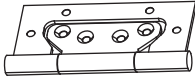

outside of door

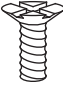

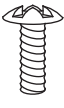
outside of door: attach D3 to D1/D2 by using four H1 and T1.

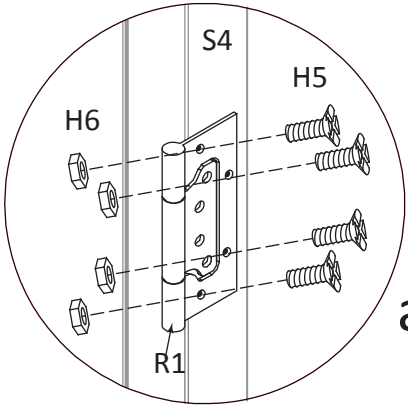


d: Attach D1,D2 to D5 using one bolt (H1) and one washer (T1).

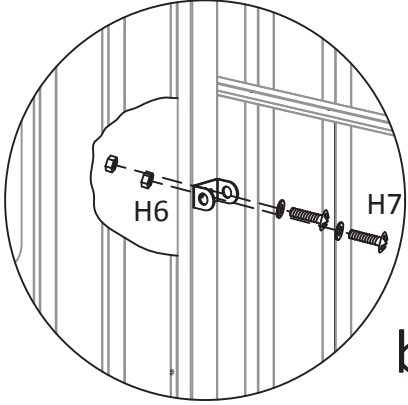
Step.21

	R1*2
	R2*1

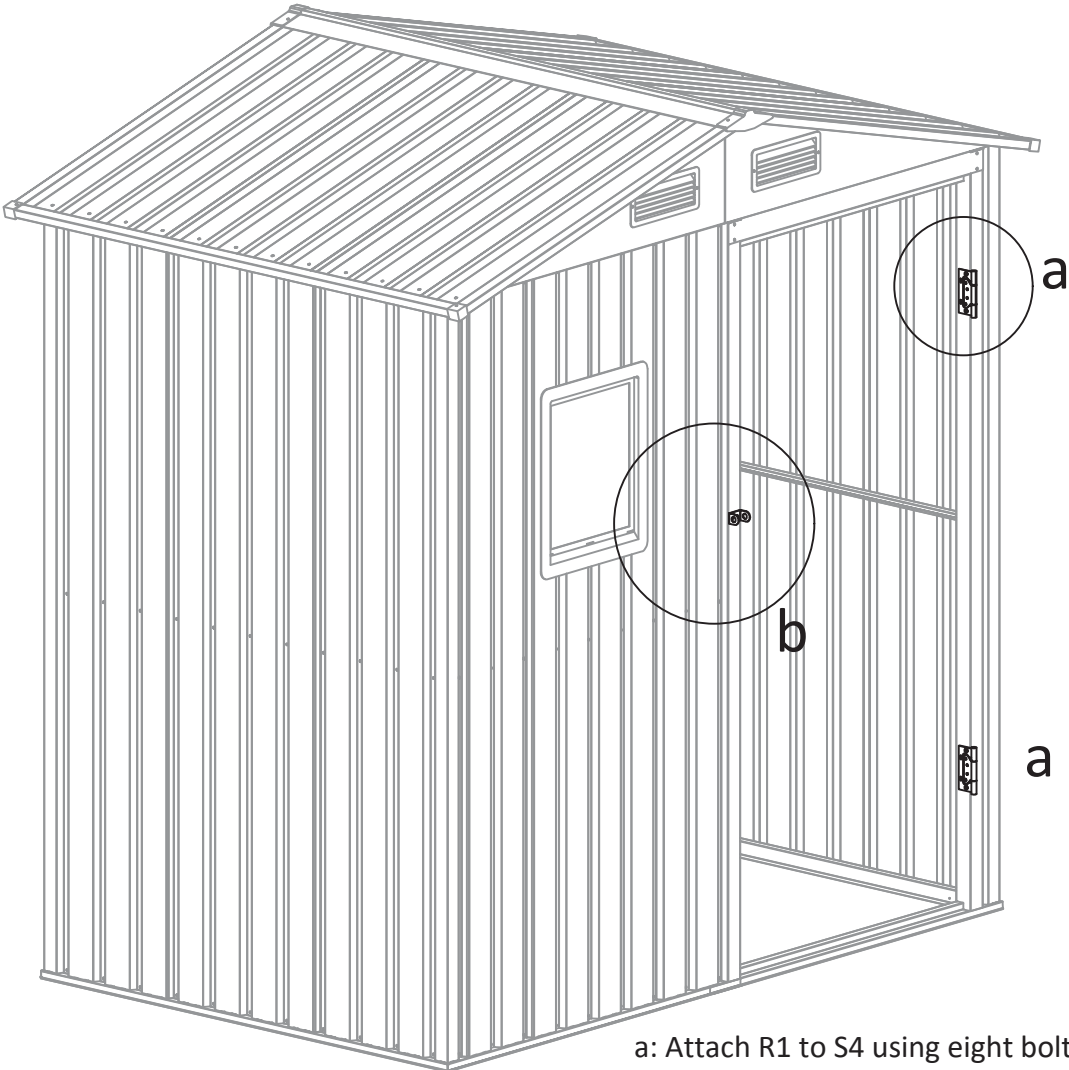
		
H5 *8	H6 *10	H7 *2



ax2

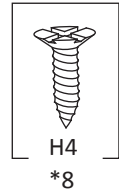


b

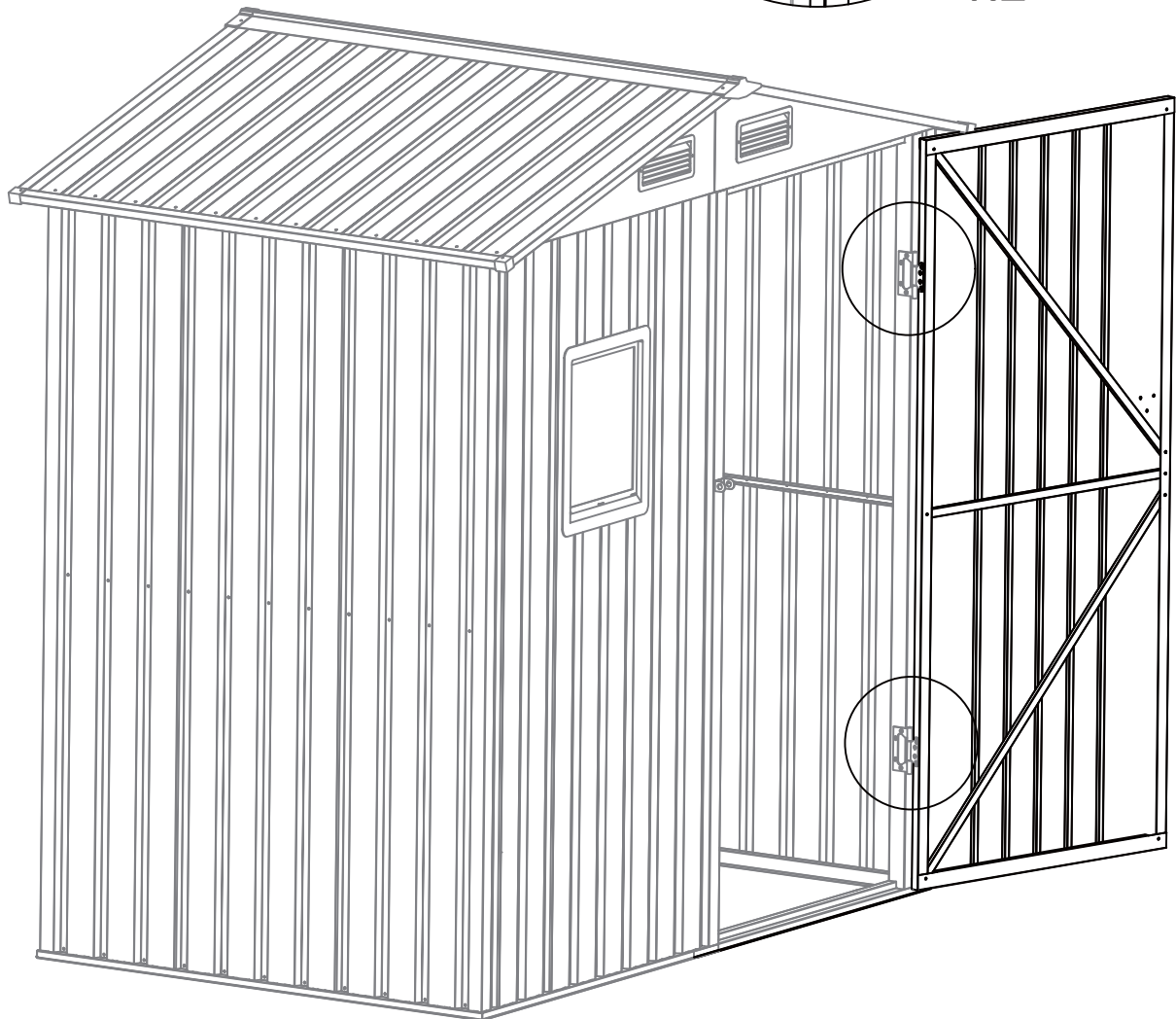
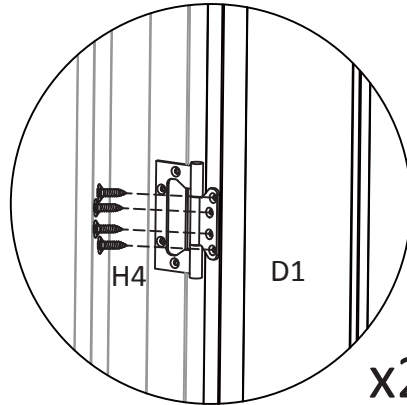


a: Attach R1 to S4 using eight bolts (H5) and eight nuts (H6).
 b: Attach R2 to S3 using two bolts (H7) and two nuts (H6).




Step.22

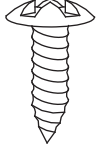



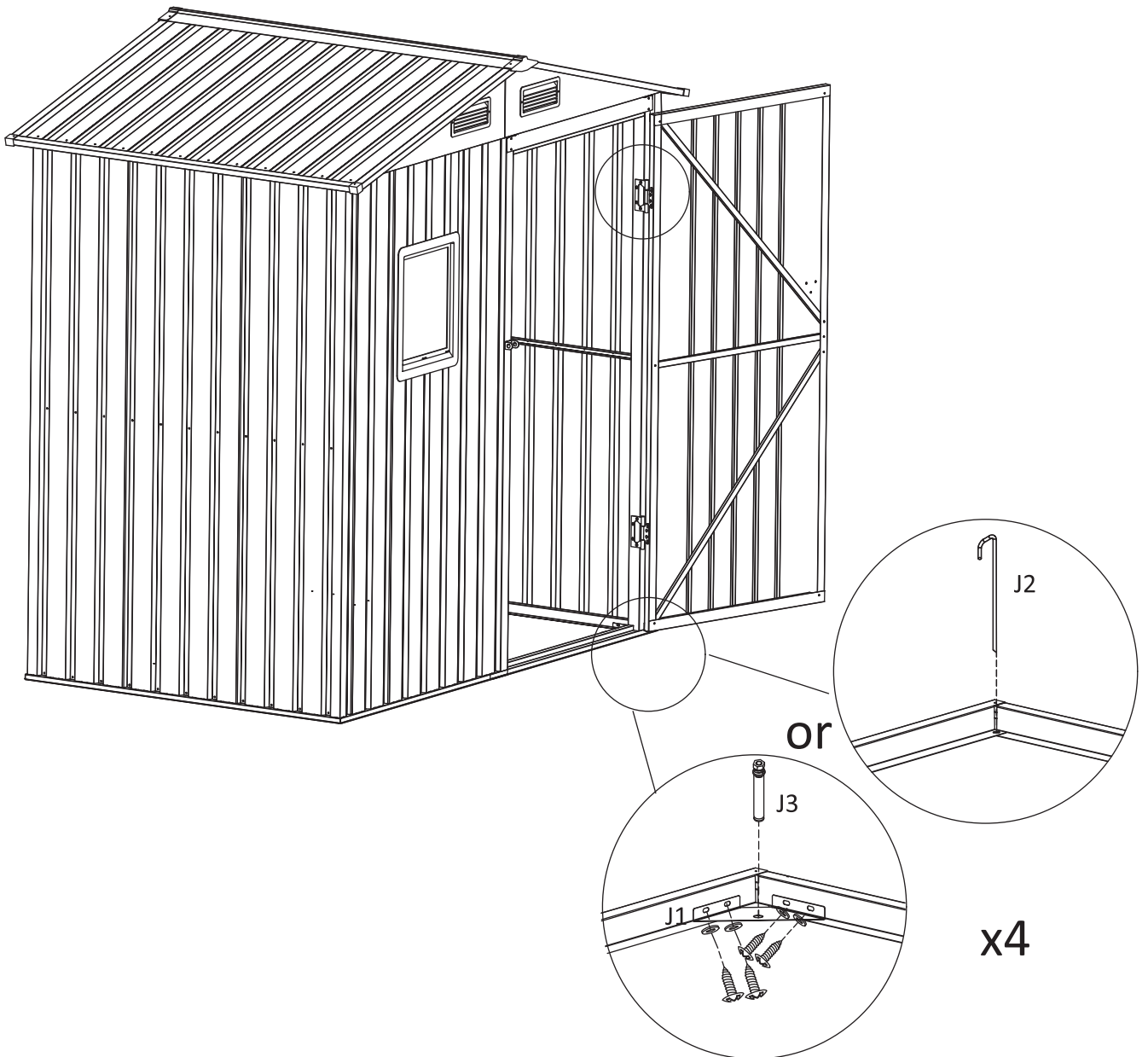
Attach assembled door to S4 using eight bolts (H4).



Step.23

	J3*4
	J2*6
	J1*4

	
H1	T1
*16	*16



After assembly, fix the shed to the ground.

Made in China