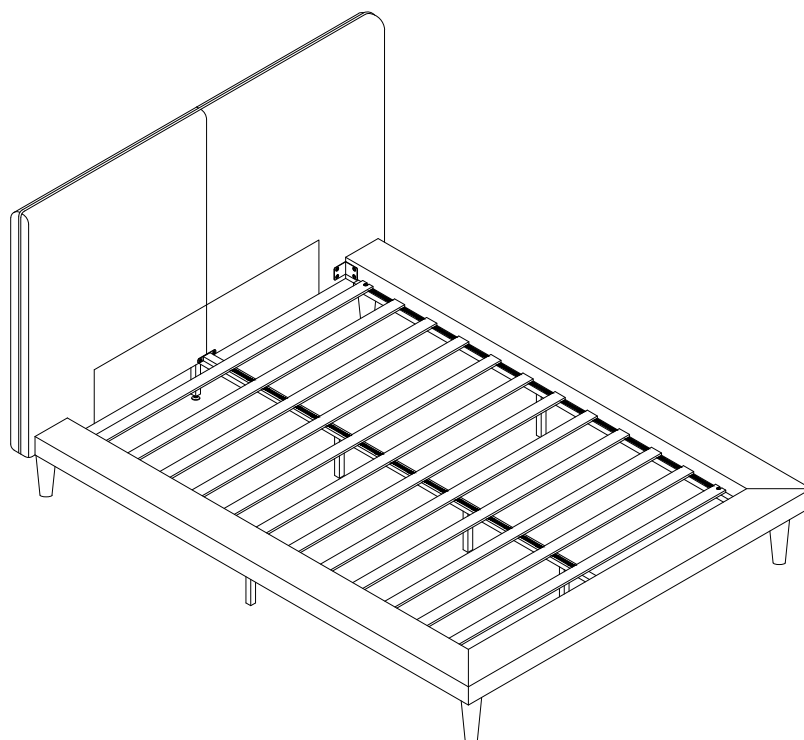
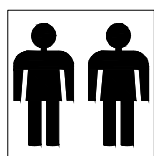


# ASSEMBLY INSTRUCTION

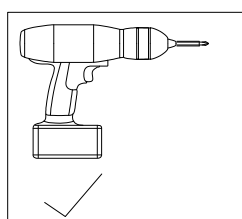


## IMPORTANT NOTE

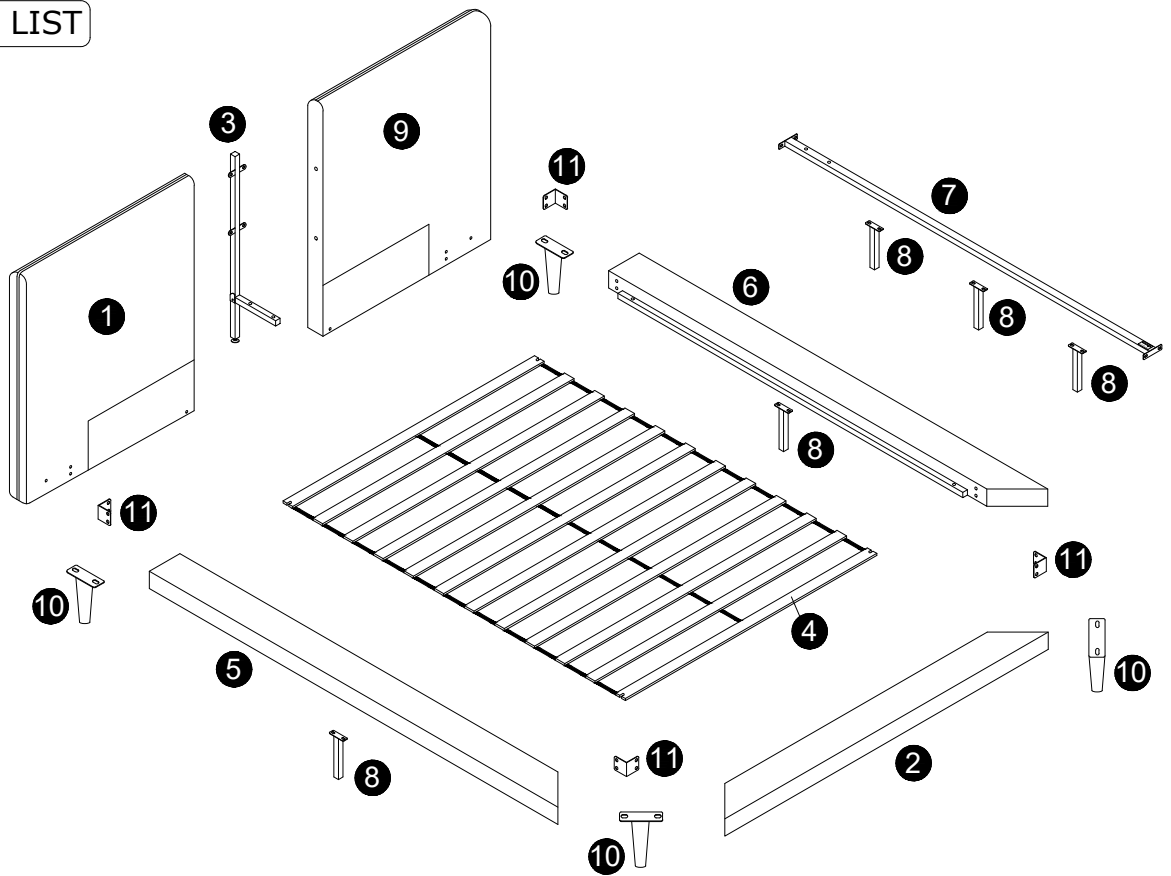
- 1. ALL OTHER PART INSIDE THE HEADBOARD PLEASE OPEN THE ZIPPER OF HEADBOARD, AND TAKE OUT ALL OTHER PART BEFORE ASSEMBLY.**
2. FOR THE PROTECTION OF YOUR FURNITURE, PLACE ALL PARTS ON A CLEAN AND SMOOTH SURFACE TO PREVENT ANY DAMAGE.
3. DO NOT USE POWER TOOLS TO ASSEMBLE THE BED.
4. PLEASE PERIODICALLY CHECK ALL FITTINGS AND RE-TIGHTEN AS NECESSARY.
5. DO NOT USE THE BED UNLESS ALL BOLTS AND SCREWS ARE FIRMLY SECURED.
6. NEED PARTS OR ASSISTANCE? EMAIL
7. YOU CAN ASSEMBLE IT WITH OUR PACKAGING TOOLS OR WITH A.



Minimum two  
person assembly

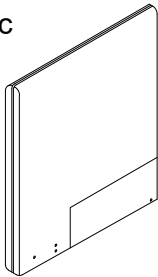


**PART LIST**

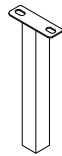


**Components of Carton 1**

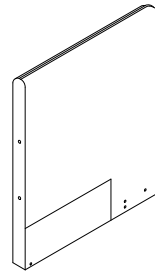
**1** x 1pc



**8** x 5pcs



**9** x 1pc

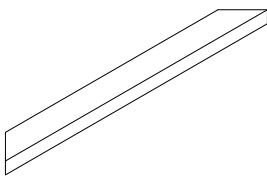


**11** x 4pcs

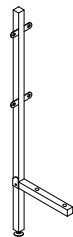


**Components of Carton 2**

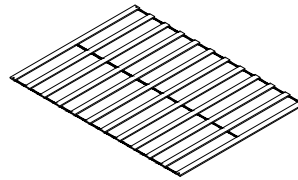
**2** x 1pc



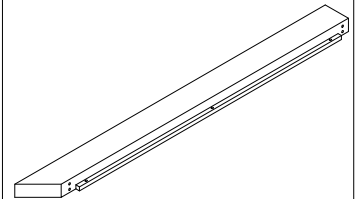
**3** x 1pc



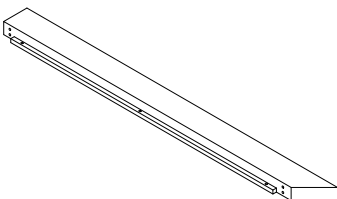
**4** x 1pc



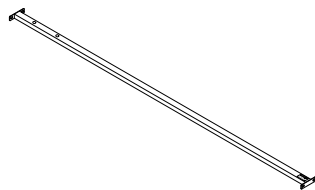
**5** x 1pc



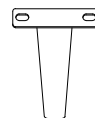
**6** x 1pc



**7** x 1pc



**10** x 4pcs



## HARDWARE LIST



H1 M5 x 1pc



H2 M8x20mm x 42pcs



H3 M8x50mm x 9pcs



H4 M8x80mm x 2pcs



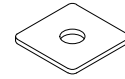
H5 M8 x 45pcs



H6 M8x17mm x 45pcs



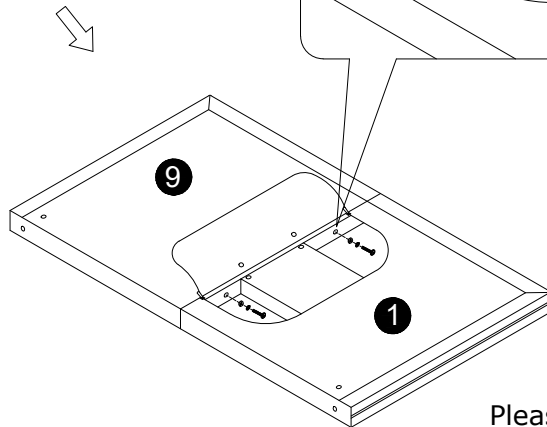
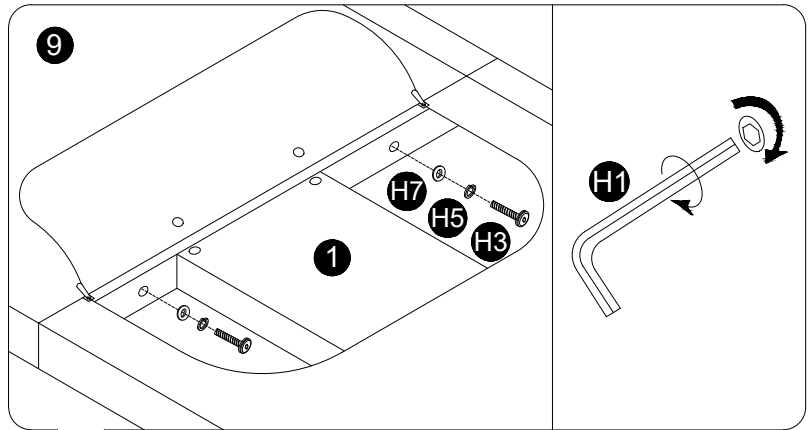
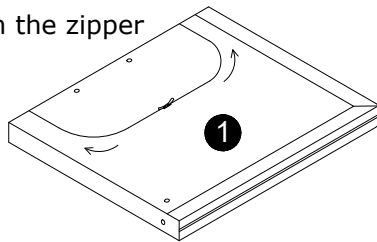
H7 M8x22mm x 6pcs



H8 40x40mm x 2pcs

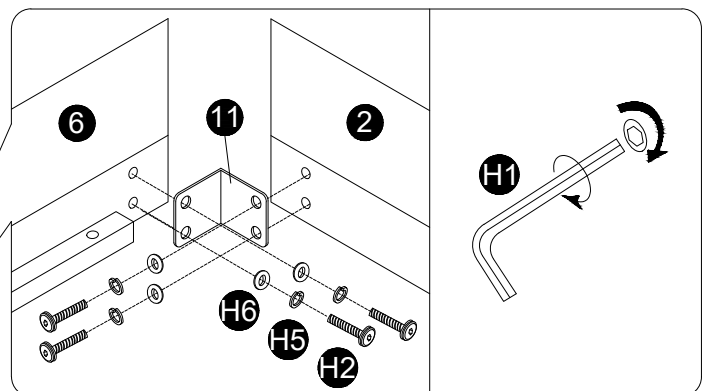
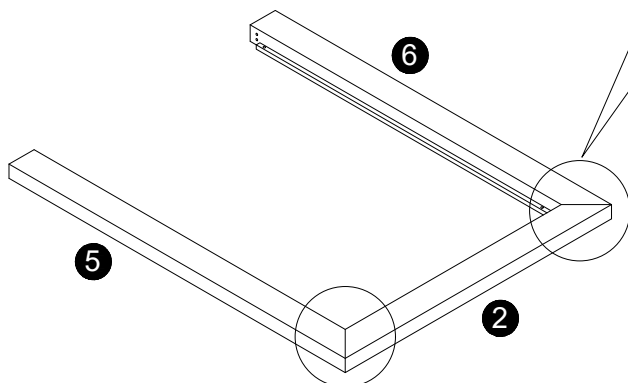
**1** **NOTE:** PLEASE OPEN THE ZIPPER ON THE BACK OF **1** AND TAKE OUT THE PARTS.

Open the zipper

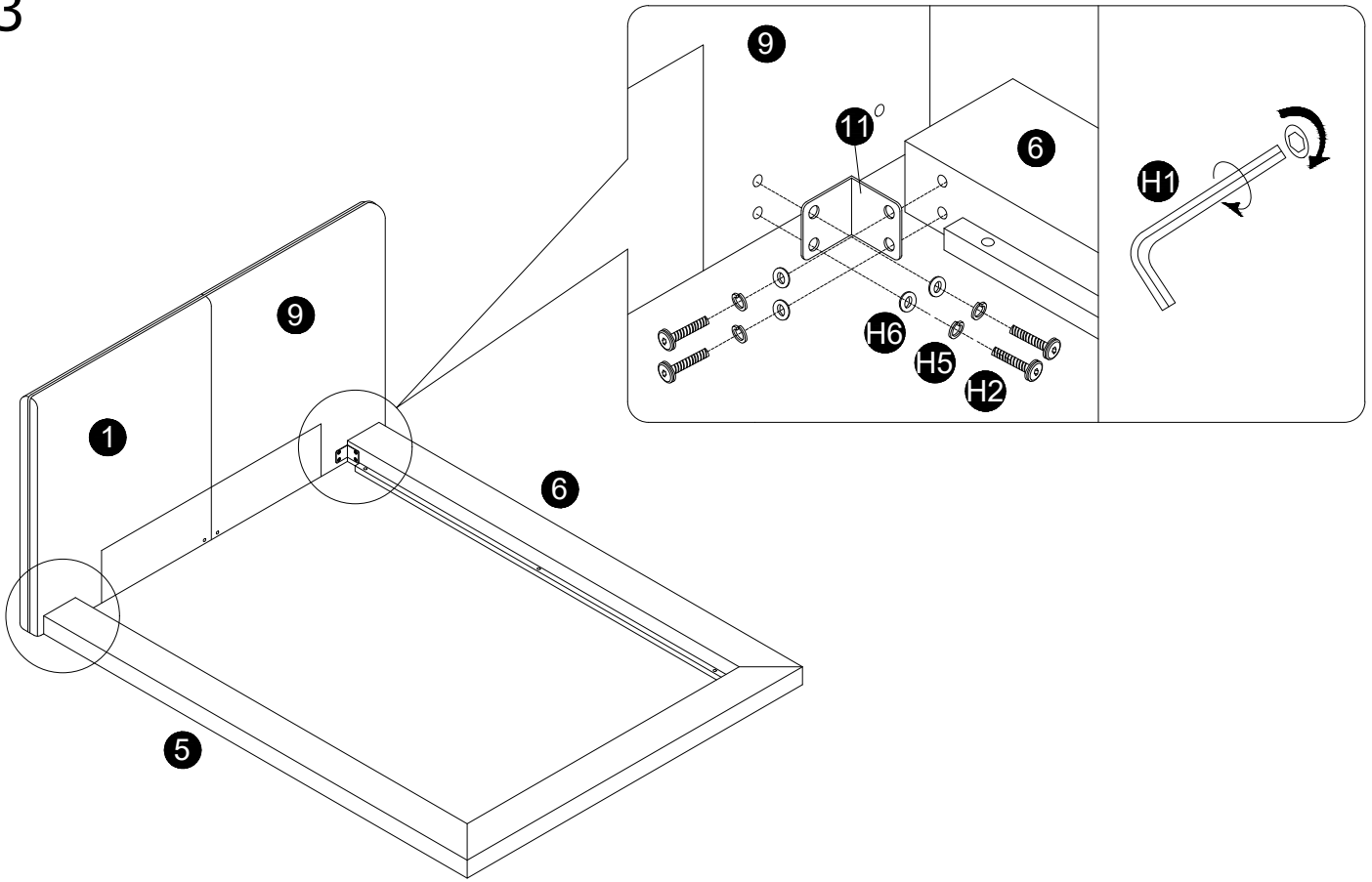


Please close the zipper before go to next step.

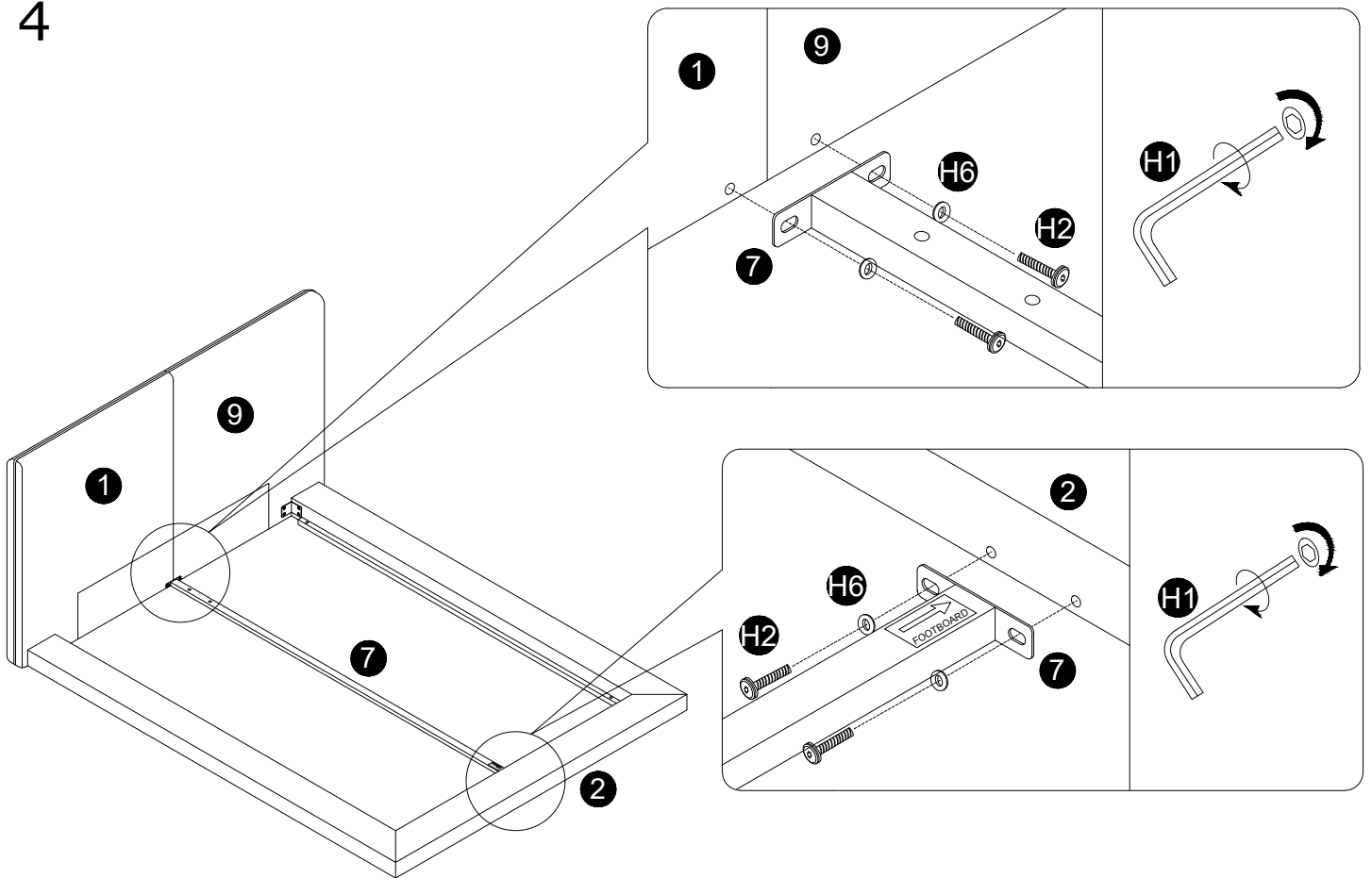
**2**



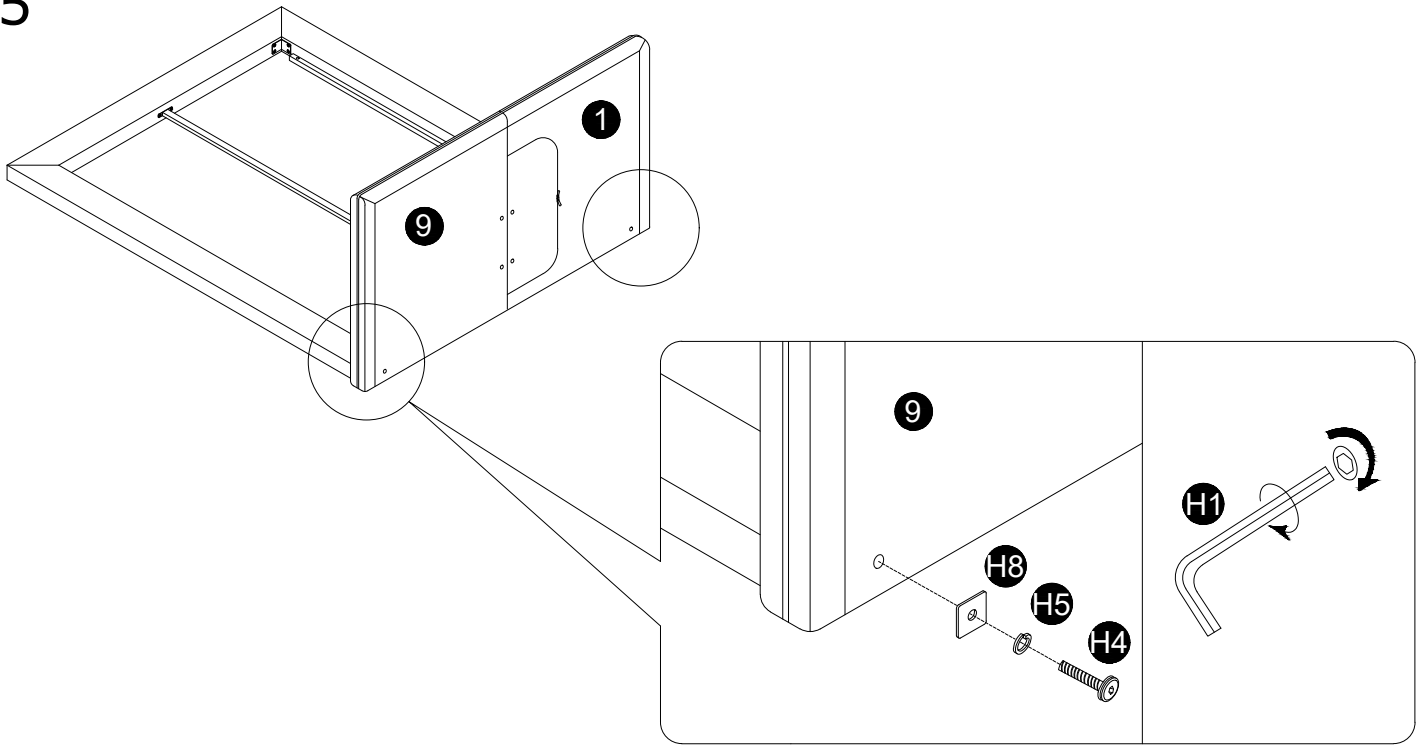
3



4

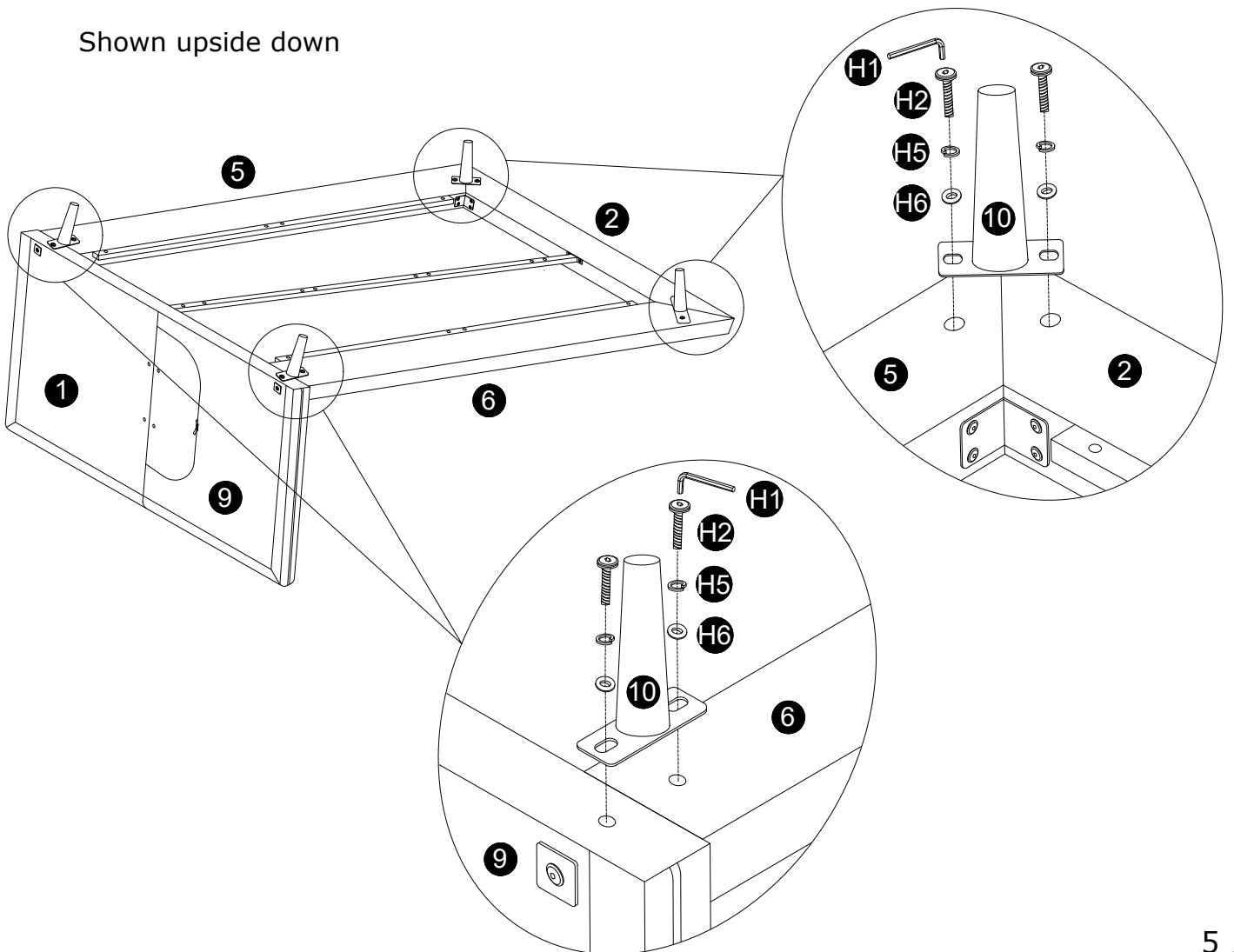


5

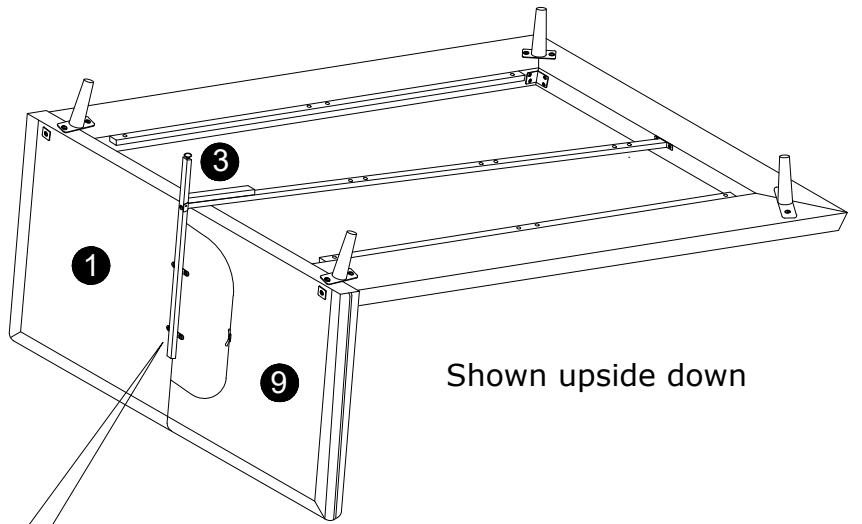
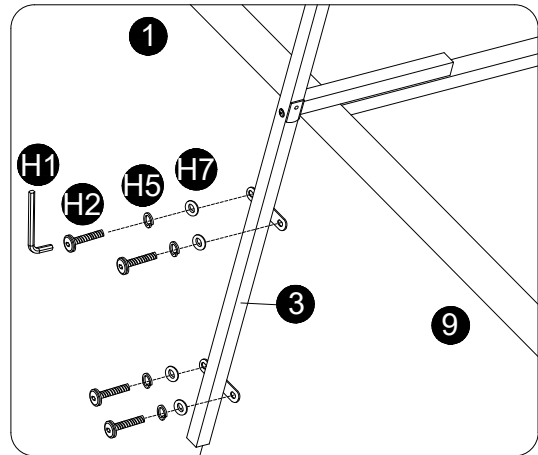
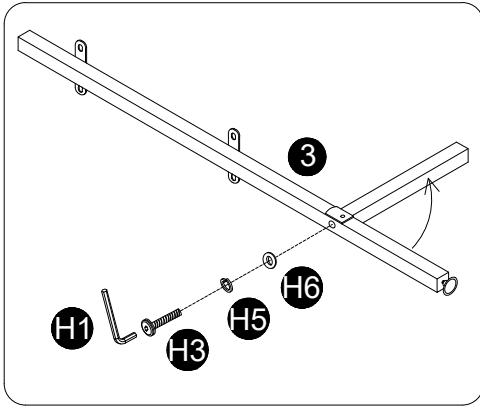


6

Shown upside down

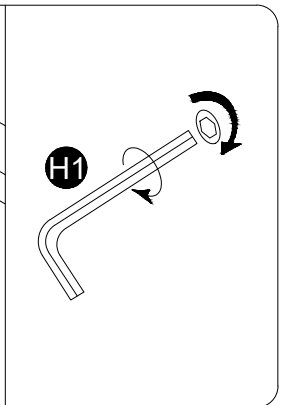
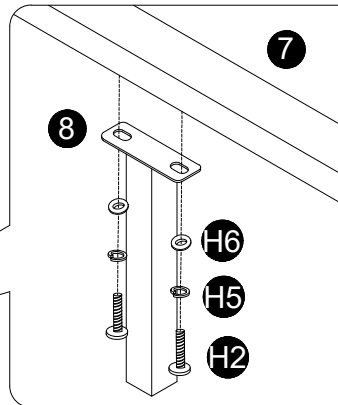
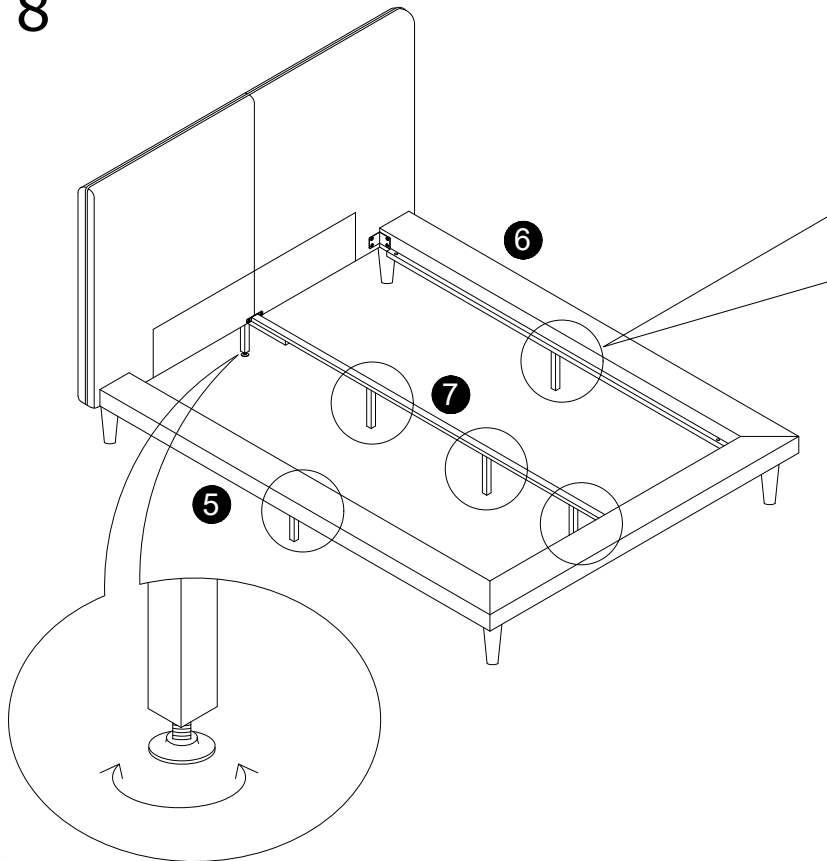


7

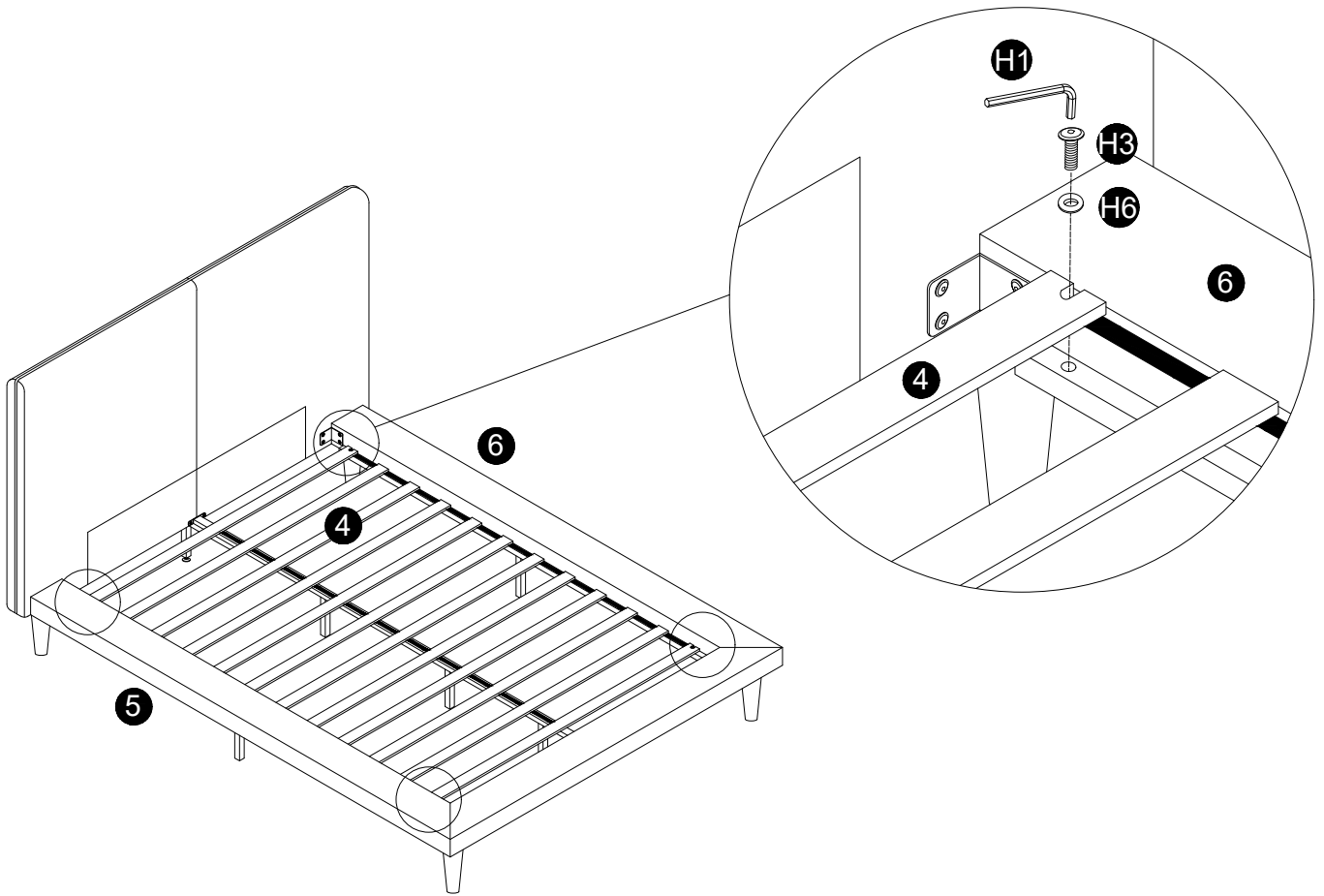


Shown upside down

8



9



**Job Complete !**

*In the interest of our environment please dispose of all packaging thoughtfully.*