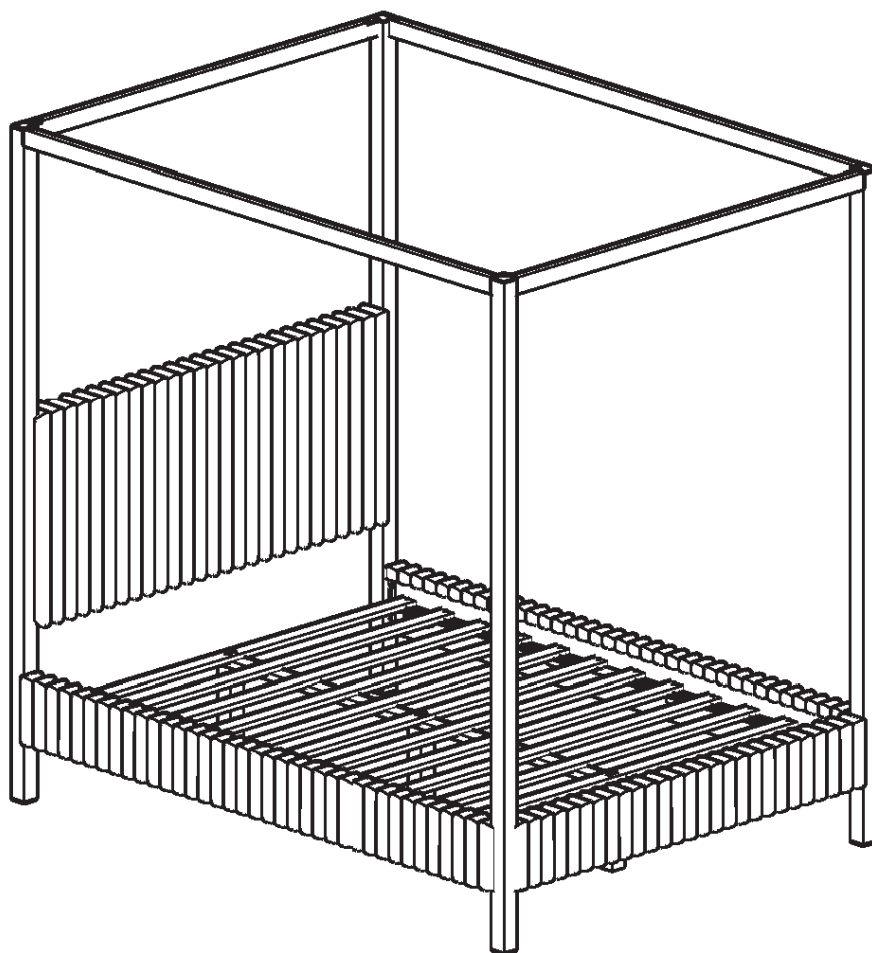
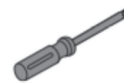


ASSEMBLY INSTRUCTIONS



TOOLS REQUIRED



Screwdriver
(Not included)



(Included)
Allen Wrench



2 - People

ASSEMBLY RATING



EASY —————> DIFFICULT

The Assembly Rating is a 5-point system showing the level of effort needed to assemble a specific product.



CHECK BEFORE STARTING

Are you missing anything?

Double-check all parts, hardware and accessories listed are all accounted for.

Check out our Quick Tips!

We recommend reviewing the pre-assembly handouts. Even experts need a refresher now and then!

Should we send any replacements?

Are there any irregularities or flaws in the parts? We can send replacements!

Prep Time!

Please review the assembly instructions and all diagrams prior to assembling.

PRE ASSEMBLY INTRODUCTION

We understand building ready-to-assemble furniture can be a challenging experience for some. To help avoid confusion, we have provided some helpful tips that may speed up the process.



Teamwork

ALWAYS have at least two people to help with transporting and assembling the product to avoid potential injury and/or damage.



Suitable Location

Assembling near the area of the intended location is highly recommended.



Sufficient Space

Make sure you have enough space to move around during the assembly.



Avoid Scratches

Use cardboard, blankets or a carpeted area while assembling furniture to prevent to prevent scratches and damages.



Flat Surface

Make sure the furniture rests on a flat and level surface with each leg evenly touching the floor.

ASSEMBLY AND CARE ADVICE



FAILURE TO FOLLOW THE GUIDELINES BELOW MAY RESULT IN INJURY AND/OR PROPERTY DAMAGE.



Position each part correctly and insert screws or bolts into their respective holes.



Turn clockwise to tighten and only tighten when step is completed or when instructed to do so.



Use the appropriate hand tools or power tools for assembly. Select steps, such as tightening screws and/or bolts, may require hand tools to avoid causing damage during assembly.



Save the instructions and store any supplied tools for later maintenance.



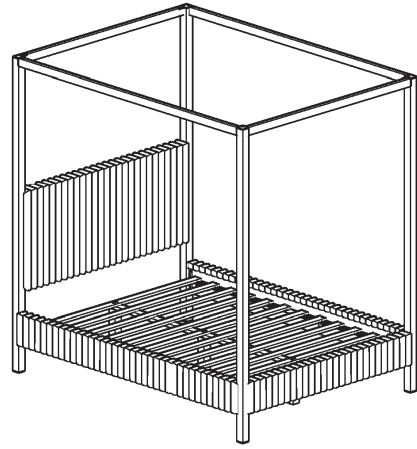
After two weeks, check and tighten any loose hardware and repeat again every six months thereafter.

IT IS THE USER'S RESPONSIBILITY TO MAINTAIN THE FURNITURE. THE HARDWARE MAY LOOSEN OVER TIME AND MAY CAUSE THE FURNITURE TO BE WOBBLY AND UNABLE TO SUPPORT ITS INTENDED WEIGHT CAPACITY. THIS MAY LEAD TO COLLAPSE AND MAY CAUSE SERIOUS INJURY.

CANOPY BED

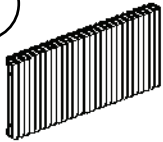


- Please keep instructions for future reference.
- Check the quantity and irregularity of parts and hardware before you start.



PARTS

1



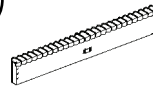
Headboard
1 pc.

2



Side Rail
2 pcs.

3



Footboard
1 pc.

4



Center Rail
1 pc.

5



Center Leg
3 pcs.

6L



Bed Post (HB L)
1 pc.

6R



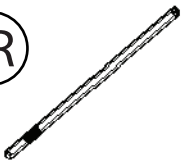
Bed Post (HB R)
1 pc.

7L



Bed Post (FB L)
1 pc.

7R



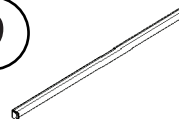
Bed Post (FB R)
1 pc.

8



Upper Rail Front
1 pc.

9



Upper Rail Back
1 pc.

10



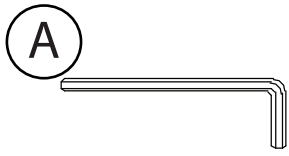
Upper Rail Side
2 pcs.

11



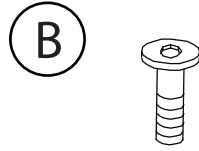
Slat
12 pcs. (2 set)

HARDWARE



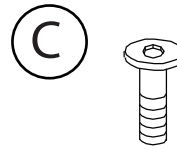
Allen Key M4

1 pc.



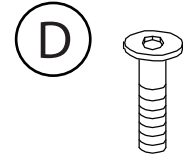
JCBC Bolt
M6 x 16mm (Black)

26 pcs.



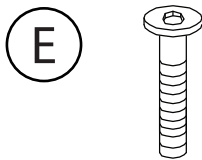
JCBC Bolt
M6 x 20mm (Black)

6 pcs.



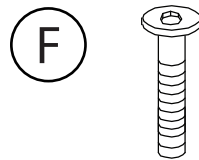
JCBC Bolt
M6 x 40mm (Black)

4 pcs.



JCBC Bolt
M6 x 50mm (Black)

6 pcs.



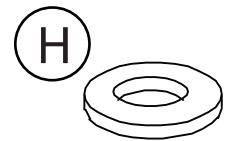
JCBC Bolt
M6 x 65mm (Black)

4 pcs.



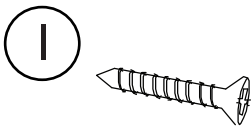
M6 Spring
Washer (Black)

22 pcs.



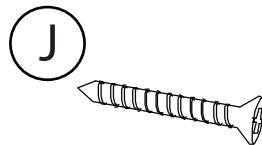
M6 Flat Washer
(Black)

22 pcs.



Wood Screw
M3.5 x 20mm

1 pc.



Wood Screw
M4 x 25mm

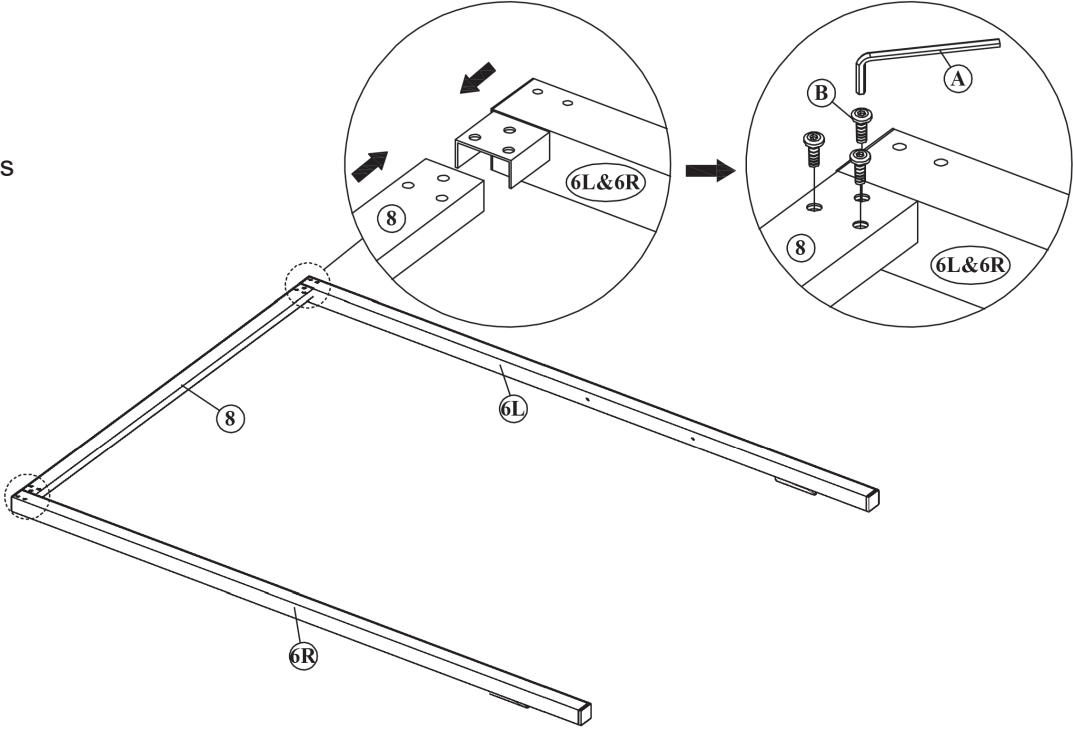
24 pcs.

ASSEMBLY INSTRUCTIONS

1

Align Bed Post (#6L, 6R) to Upper Rail Front (#8) and secure connection with Bolts (#B).

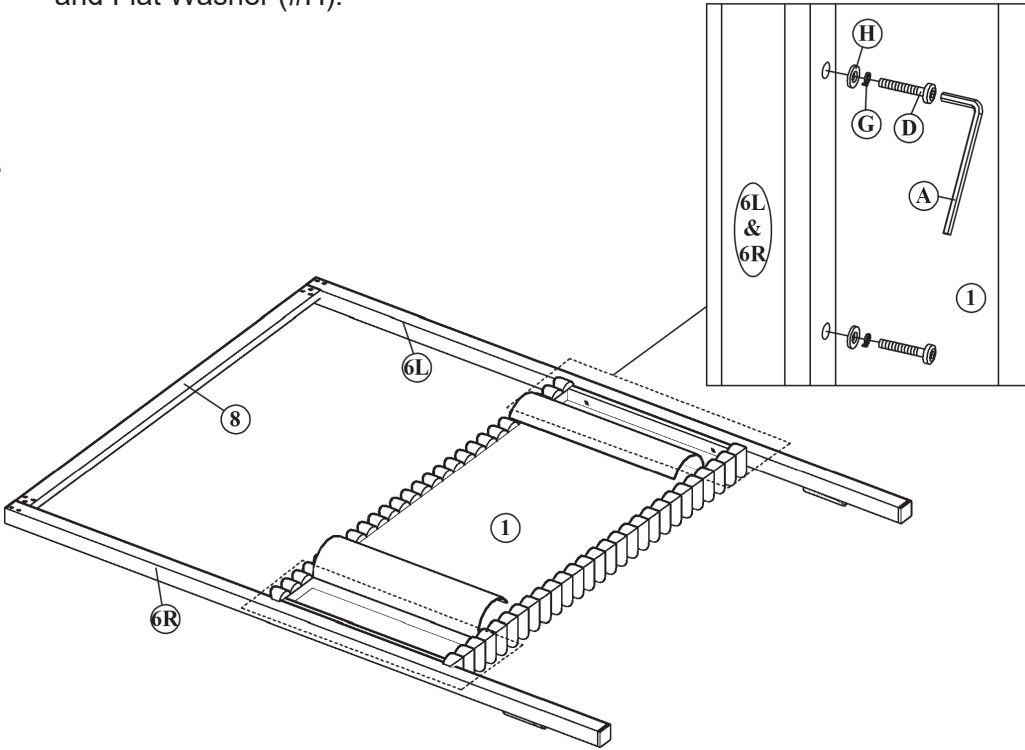
Part #6L x 1pc
Part #6R x 1pc
Part #8 x 1pc
Hardware #B x 6pcs



2

Place Headboard (#1) face-down between Bed Posts (#6). Through the back flaps, secure headboard to posts with Bolt (#D), Spring Washer (#G) and Flat Washer (#H).

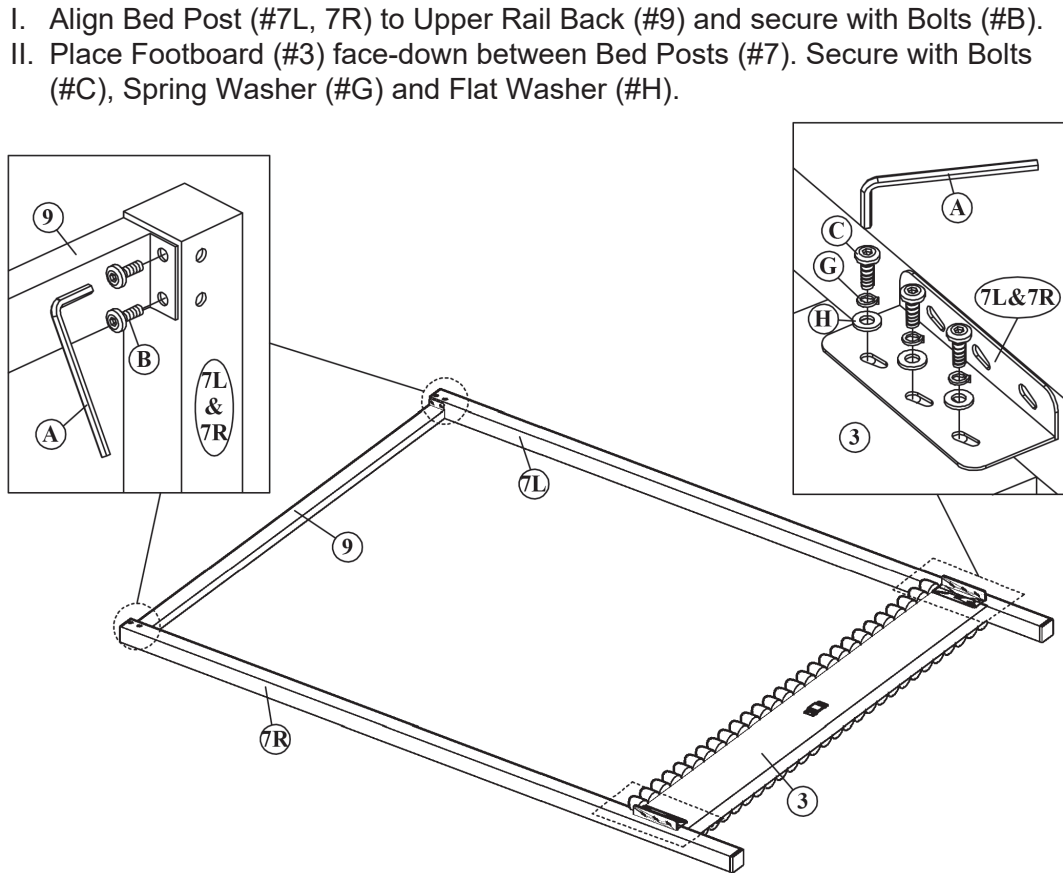
Part #1 x 1pc
Hardware #D x 4pcs
Hardware #G x 4pcs
Hardware #H x 4pcs



ASSEMBLY INSTRUCTIONS

3

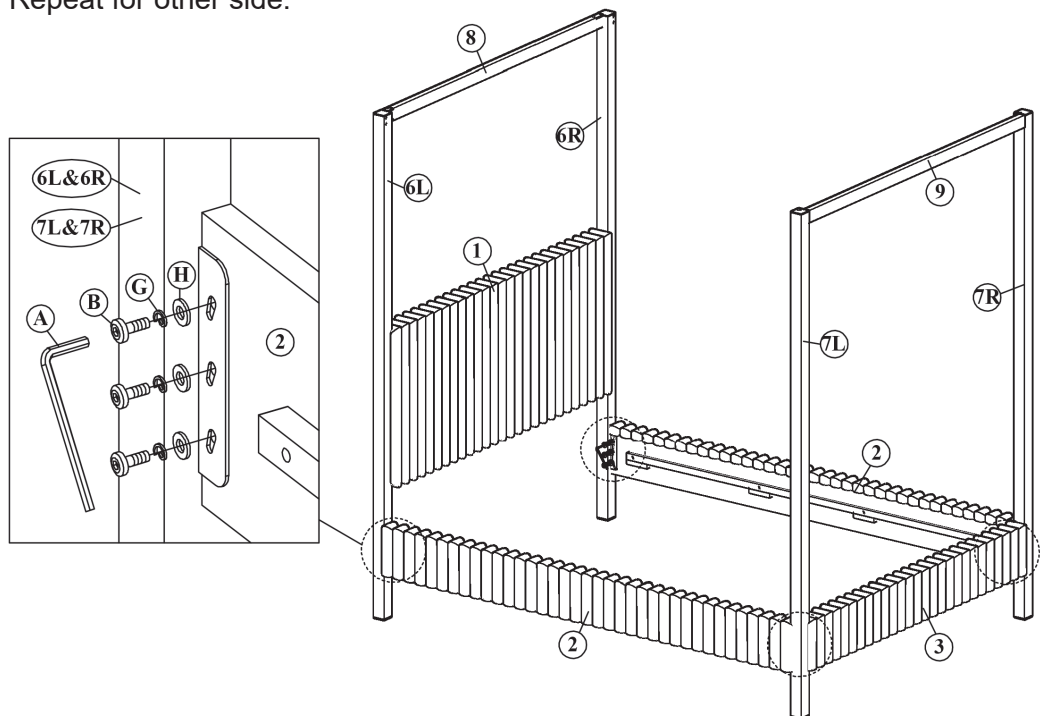
Part #3 x 1pc
Part #7L x 1pc
Part #7R x 1pc
Part #9 x 1pc
Hardware #B x 4pcs
Hardware #C x 6pcs
Hardware #G x 6pcs
Hardware #H x 6pcs



4

Part #2 x 2pcs
Hardware #B x 12pcs
Hardware #G x 12pcs
Hardware #H x 12pcs

Align one Side Rail (#2) between Bed Post HB (#6) and Bed Post FB (#7), and secure with Bolts (#B), Spring Washer (#G) and Flat Washer (#H). Repeat for other side.

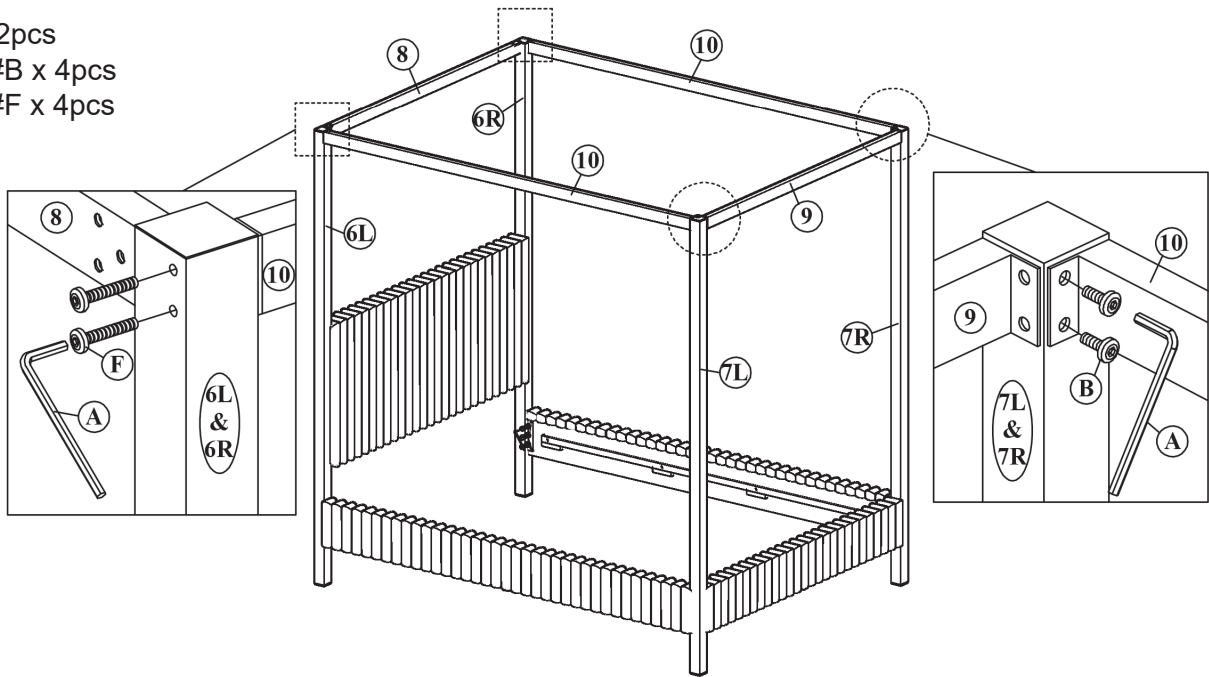


ASSEMBLY INSTRUCTIONS

5

Align Upper Rail Side (#10) between Upper Rail Front (#8) and Upper Rail Back (#9). Secure corner between Front (#8) and Side (#10) with Bolt (#F). Secure corner between Back (#9) and Side (#10) with Bolt (#B).

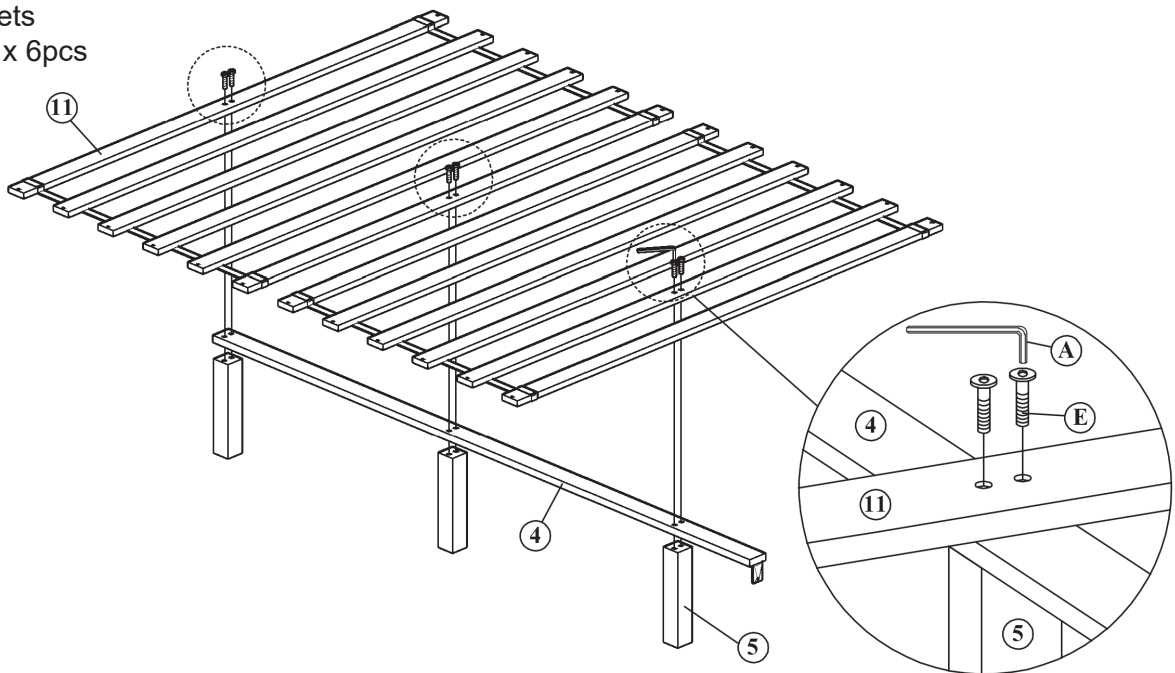
Part #10 x 2pcs
Hardware #B x 4pcs
Hardware #F x 4pcs



6

Align Center Rail (#5) atop Center Legs (#5). Place 1 set of Slats (#11) on top and secure with Bolt (#E). Repeat for other Slat set.

Part #4 x 1pc
Part #5 x 3pcs
Part #11 x 2sets
Hardware #E x 6pcs

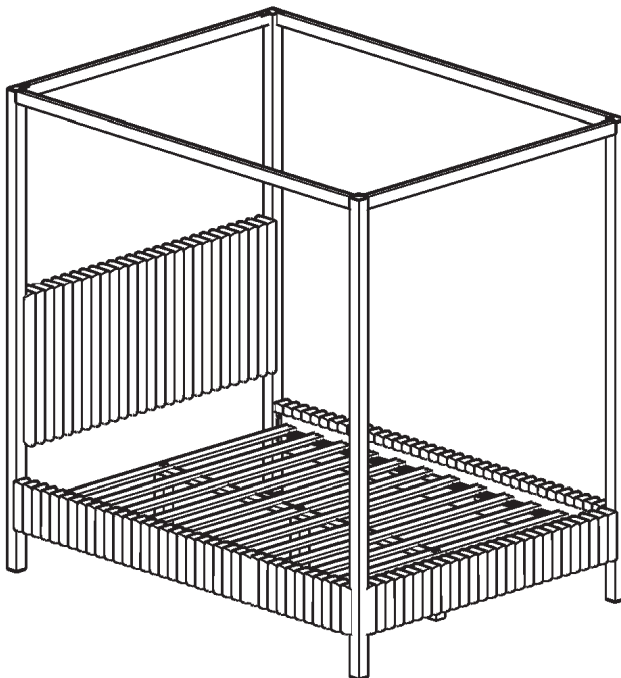
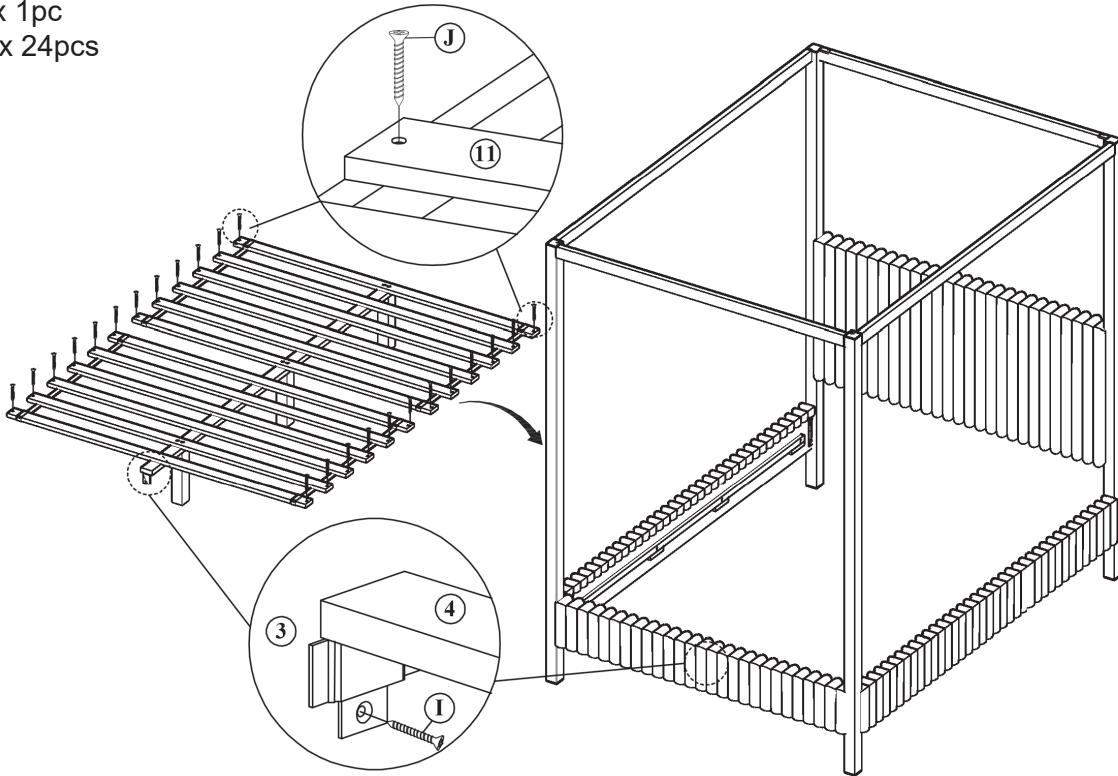


ASSEMBLY INSTRUCTIONS

7

Place assembled Slats over the Side Rails. Secure each slat to the Side Rail using Wood Screws (#J). Secure the exposed end of the Center Rail to the Footboard (#3) using Wood Screw (#I).

Hardware #I x 1pc
Hardware #J x 24pcs



ASSEMBLY COMPLETED



Please ensure the furniture rests on an even and flat surface. If the product wobbles or feels loose, double-check all bolts and/or screws are properly tightened and secured.



Keep this handy!

Please retain this instruction manual and any order-related information for future reference.



Lift, don't drag!

To avoid damage to product please always LIFT the product when transporting or adjusting the placement.