

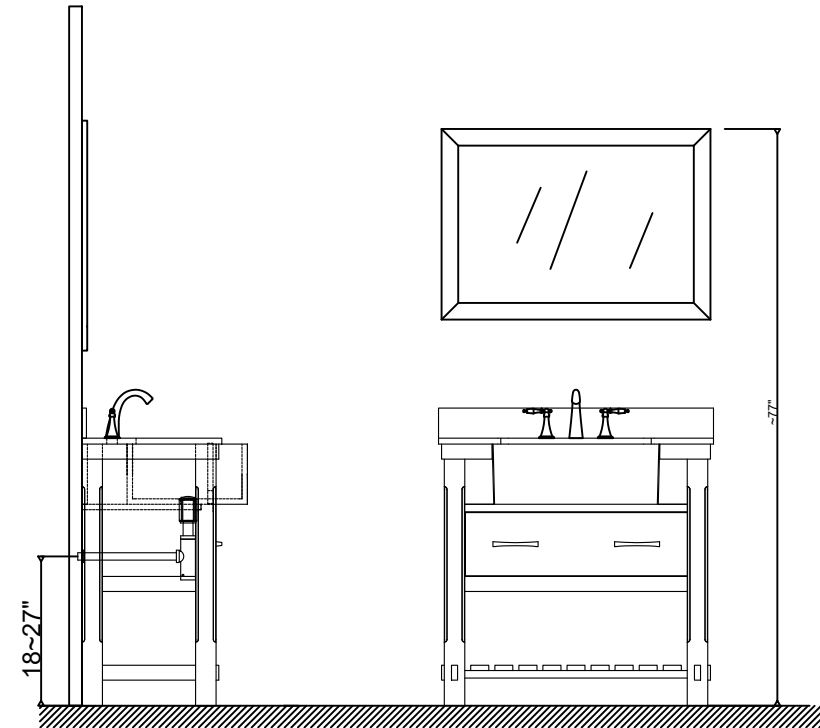
Prior to installation please check received items against the Packing List Please report any missing items

**Call: 888-257-3857**

**Email: [service@casainc.com](mailto:service@casainc.com).**

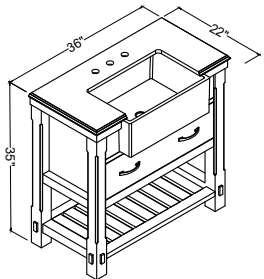
Protect all surfaces from sharp objects, high heat sources, direct prolonged sunlight and chemical hazards .

**Professional installation recommended !**

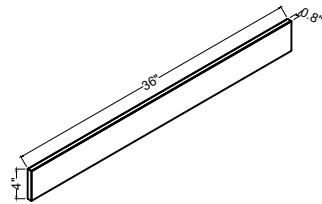


### PACKING LIST

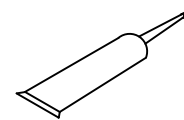
Main cabinet



Backsplash



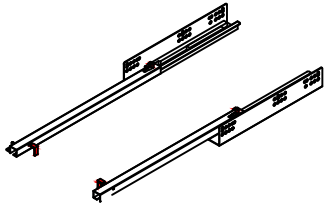
Touch Up paint



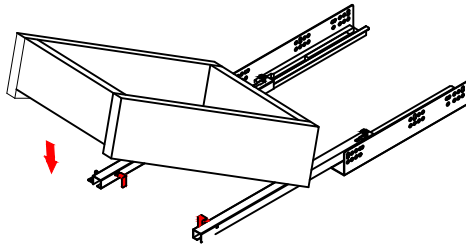
**Adjust Slider For Drawer**

**INSTALL**

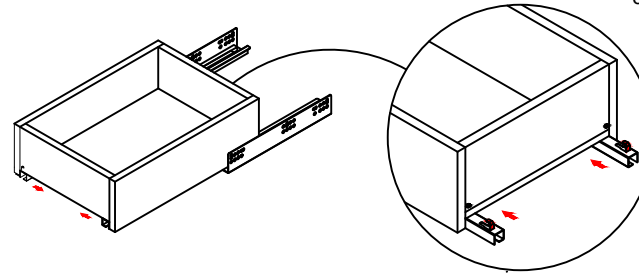
**STEP 1**



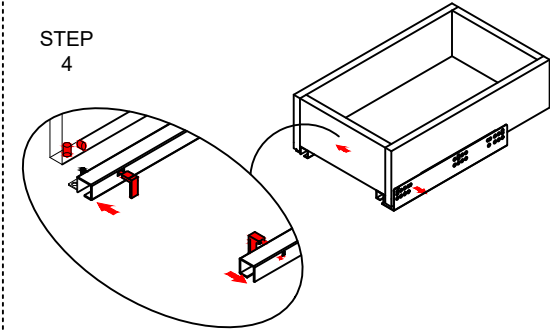
**STEP 2**



**STEP 3**

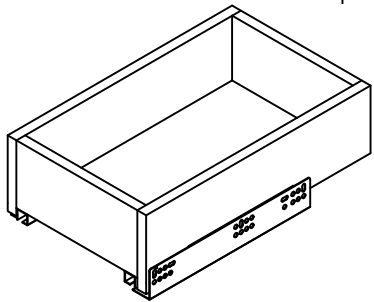


**STEP 4**

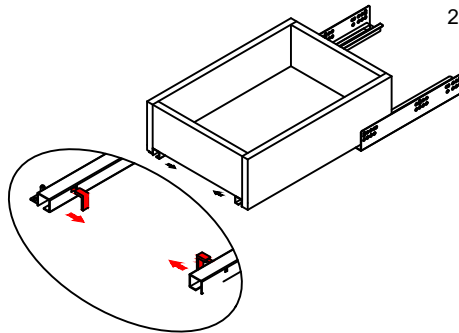


**Remove**

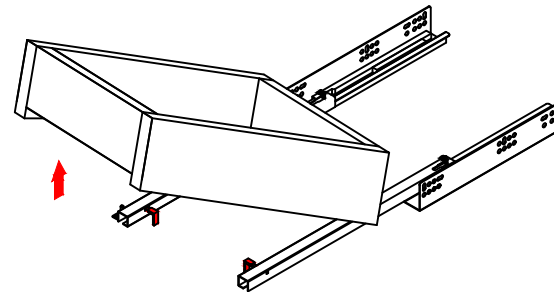
**STEP 1**



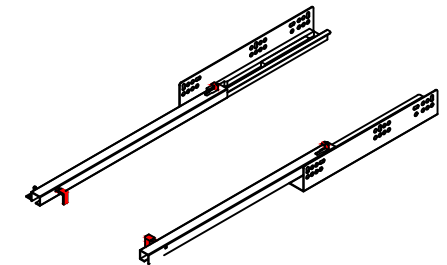
**STEP 2**



**STEP 3**

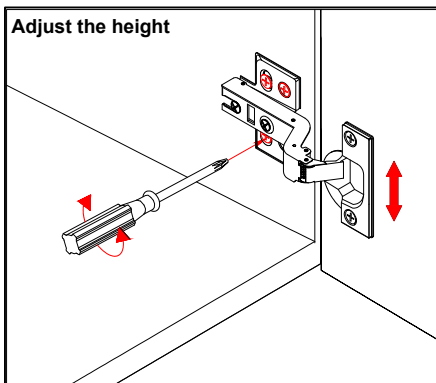


**STEP 4**

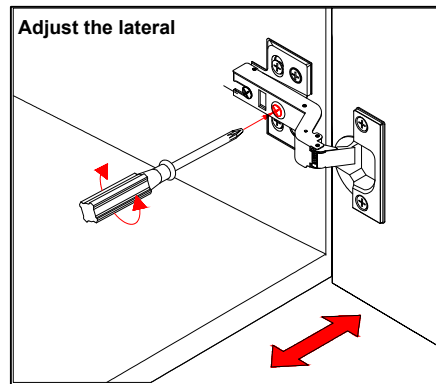


**INSTALLATION AND ADJUSTION OF HINGE**

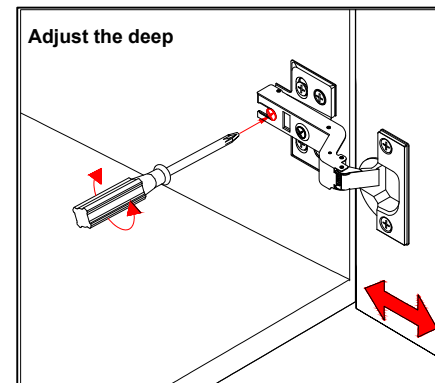
**Adjust the height**



**Adjust the lateral**

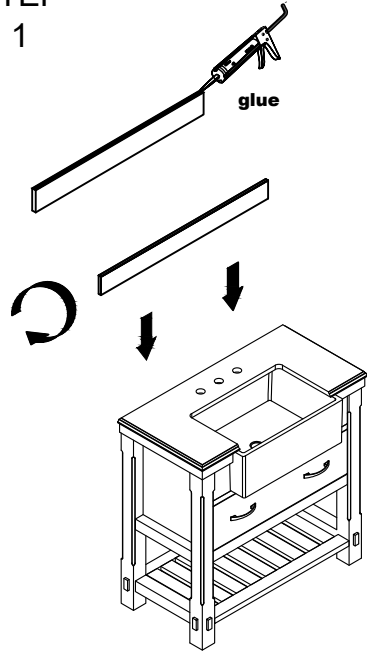


**Adjust the deep**

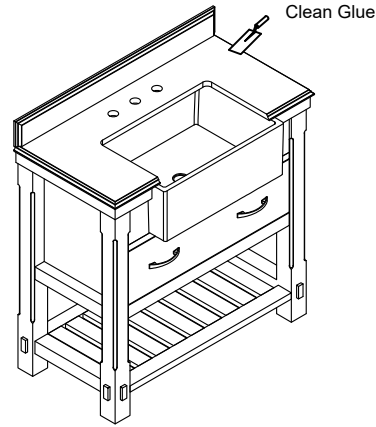


## Install Backsplash

STEP  
1



STEP  
2



STEP  
3

