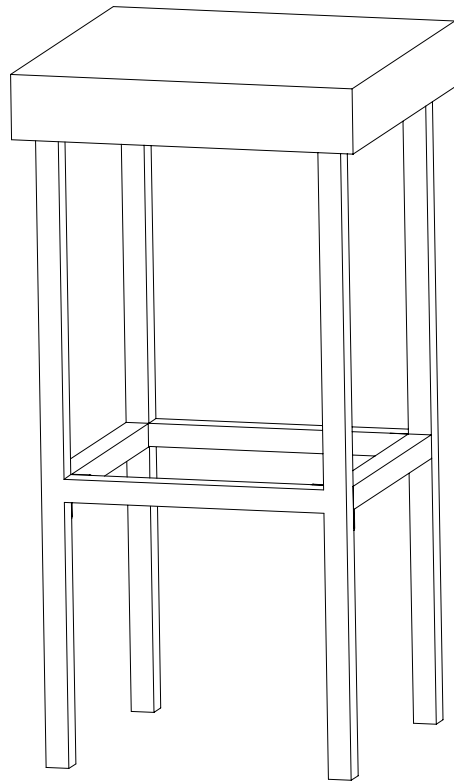

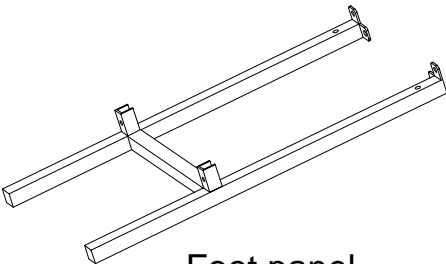



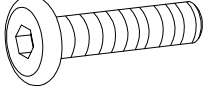
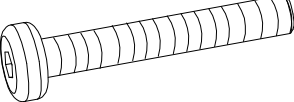

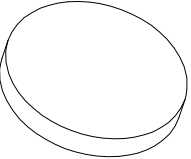
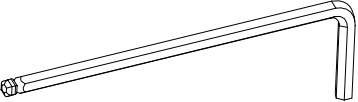
## KAMARI BAR STOOL



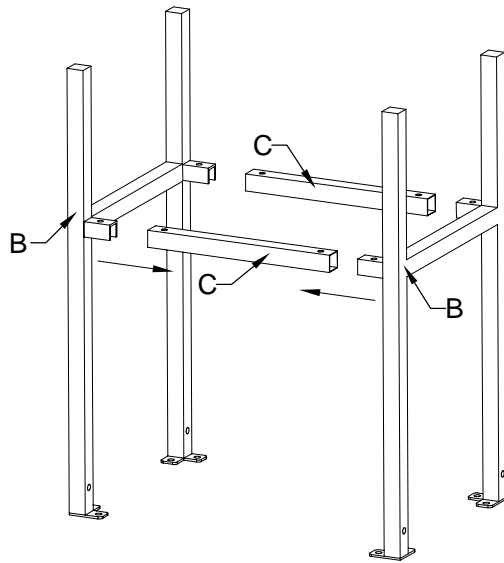
## PART LIST

 <p>Seat</p>		 <p>Foot panel</p>		 <p>Stretcher</p>	
A	1pc	B	2pcs	C	2pcs

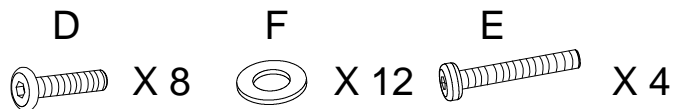
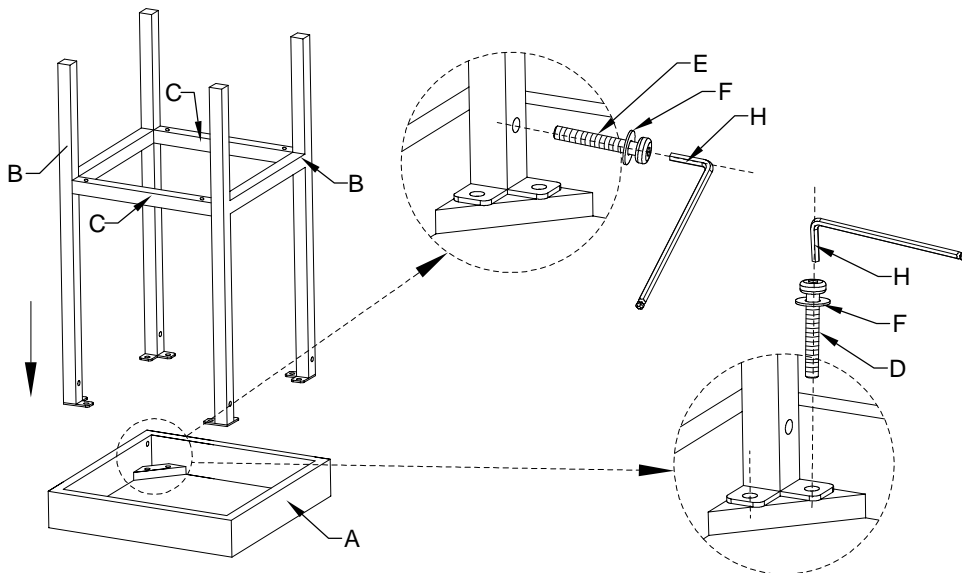
## HARDWARE LIST

 <p>Bolt(M6*20mm)</p>		 <p>Bolt(M6*40mm)</p>		 <p>Washer(M6mm)</p>	
D	12pcs	E	4pcs	F	16pcs
 <p>Screw cap(M6mm)</p>		 <p>Allen Key(M6mm)</p>			
G	16pcs	H	1pc		

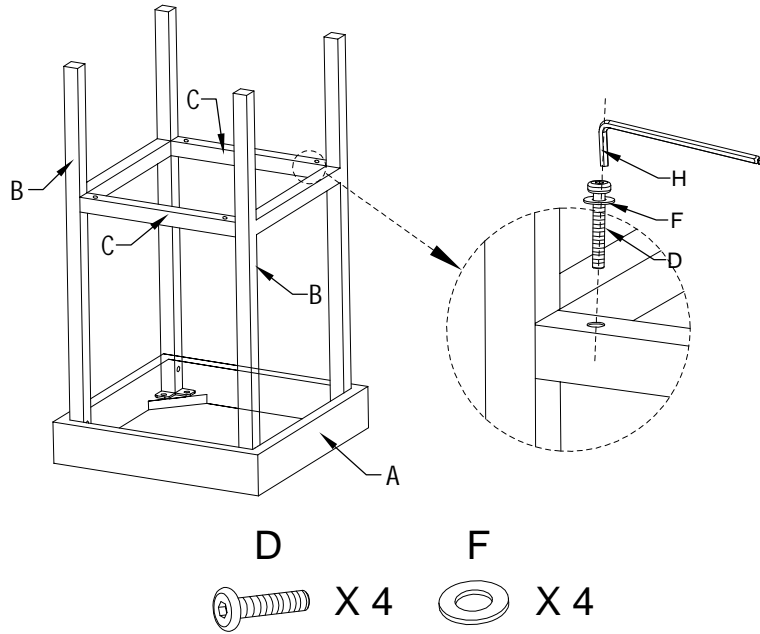
**Step 1.** Attach foot panels (B) into stretcher (C). Please do not screw at this step.



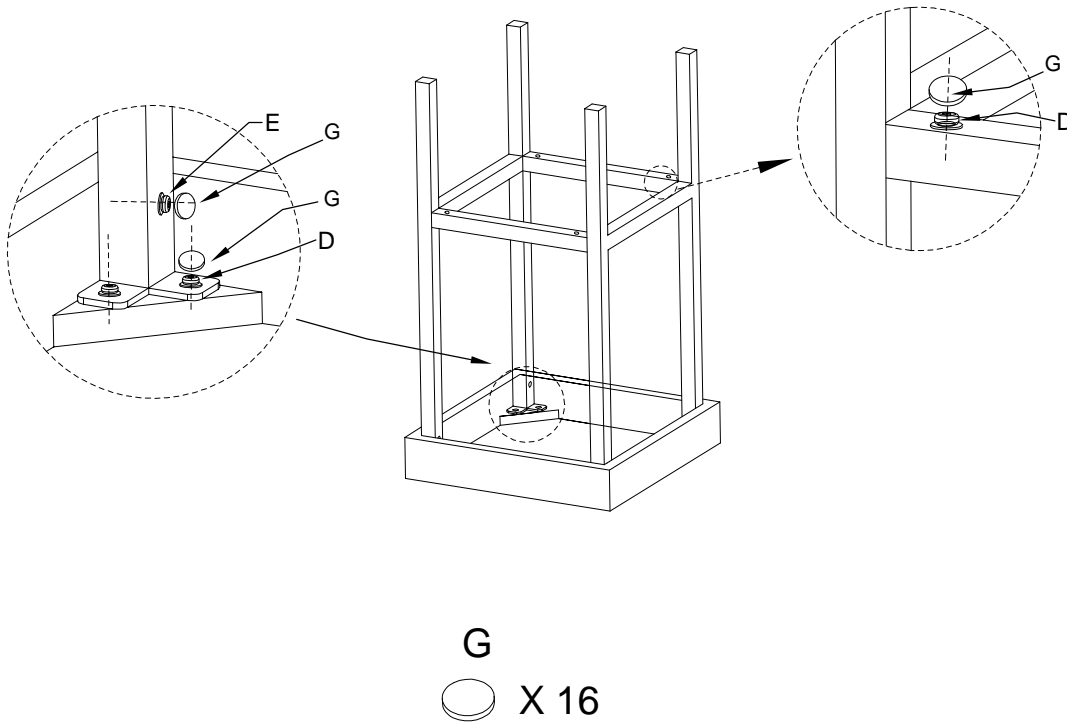
**Step 2.** Lay seat (A) down on a flat surface. Attach assembled parts B, C to the seat (A) using bolts (D), washers (F), allen key (H) in vertical direction. Cross direction by using bolts (E), washers (F), allen key (H).  
NOTE: Do not fully tighten bolt until all bolts are in place.



**Step 3.** Using bolts (D), and washers (F) attach stretchers (C) to foot panels (B).



**Step 4.** Tighten all bolts, and put Caps (G) on the head of bolts.



**Step 5.** Turn the assembled bar stool upright on a flat surface.

