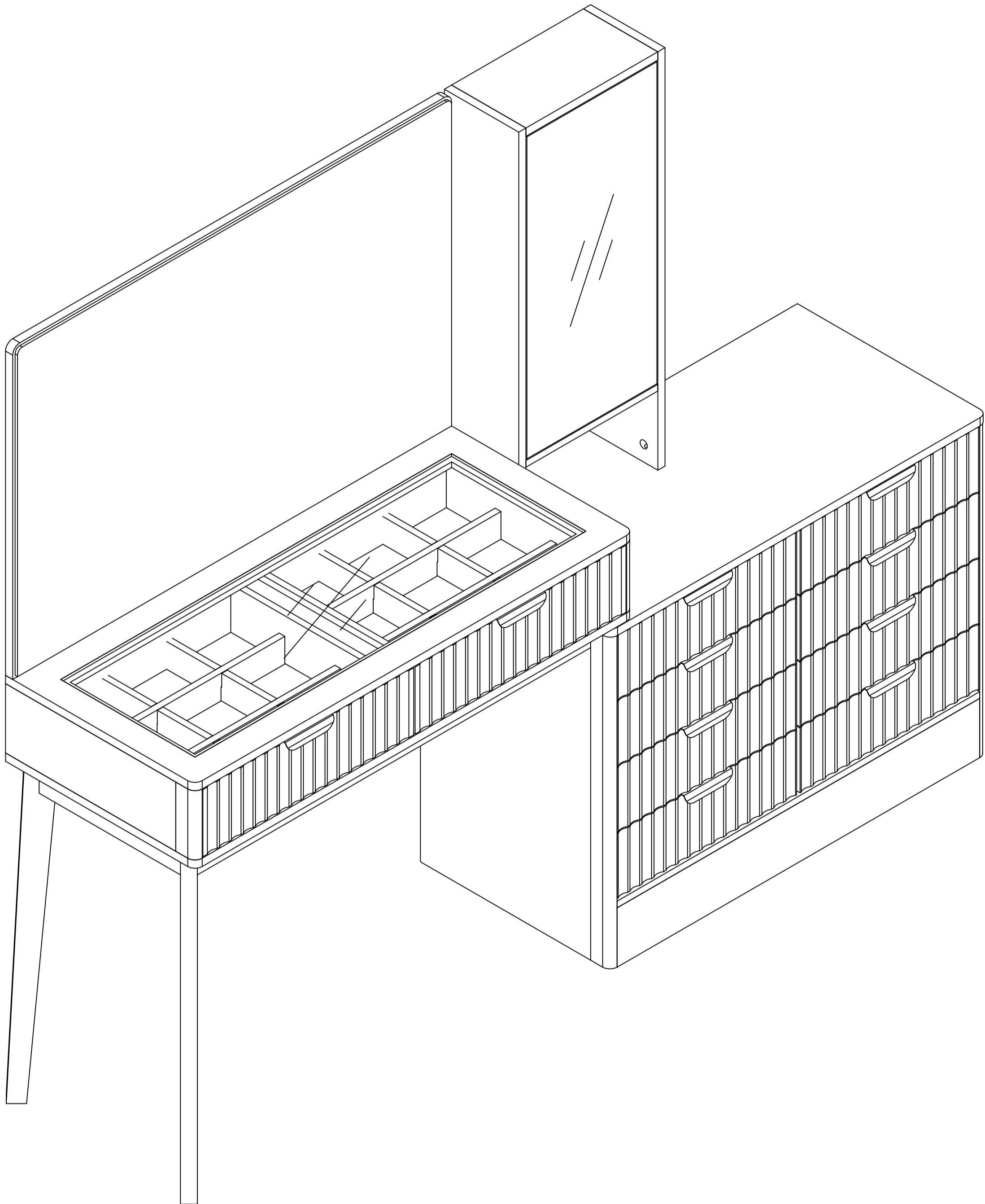


Dresser

Model:

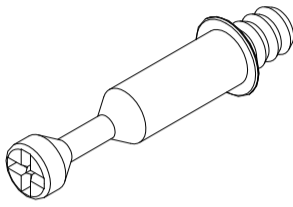
Version: 1.0



ASSEMBLY INSTRUCTION

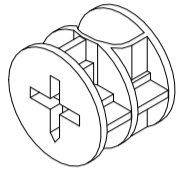
Hardware List

A x 118



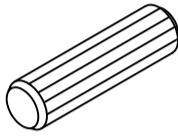
M6*35mm

B x 118



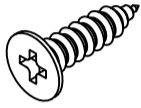
Ø15*10mm

C x 26



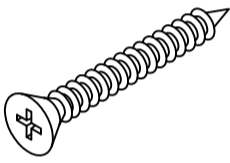
Ø6*30mm

D x 106



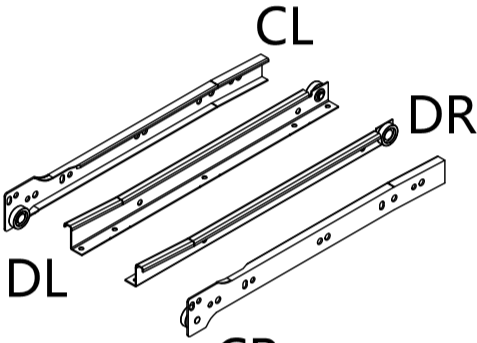
Ø3.5*12mm

E x 40

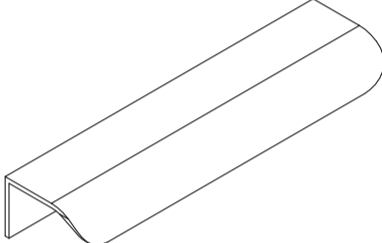


Ø3.5*35mm

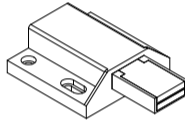
F x 8



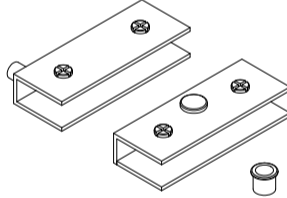
G x 10



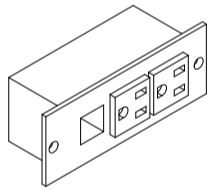
H x 1



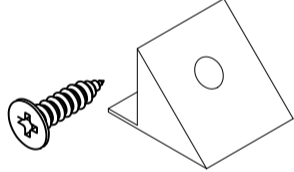
J x 2



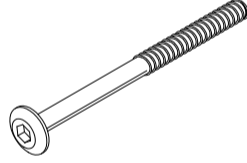
K x 1



L x 16

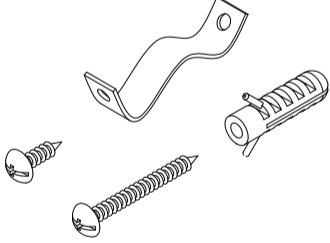


M x 4

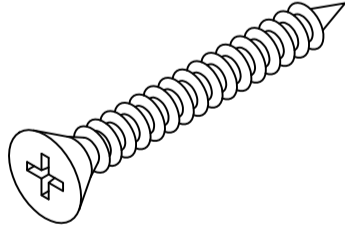


M6*50mm

N x 1

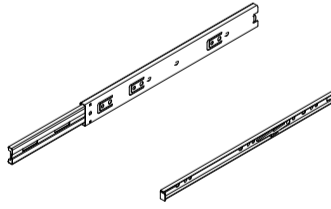


P x 10

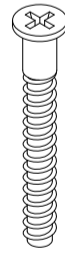


Ø3.5*35mm

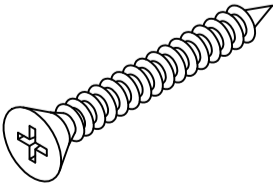
Q x 2



I x 1

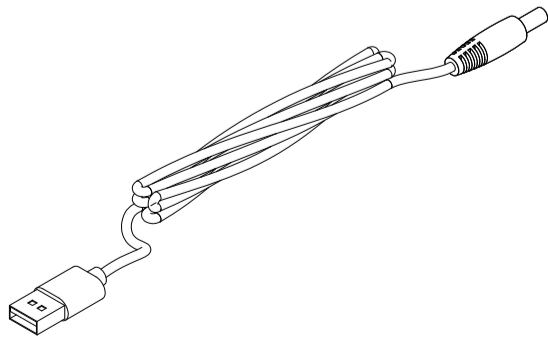


O x 8

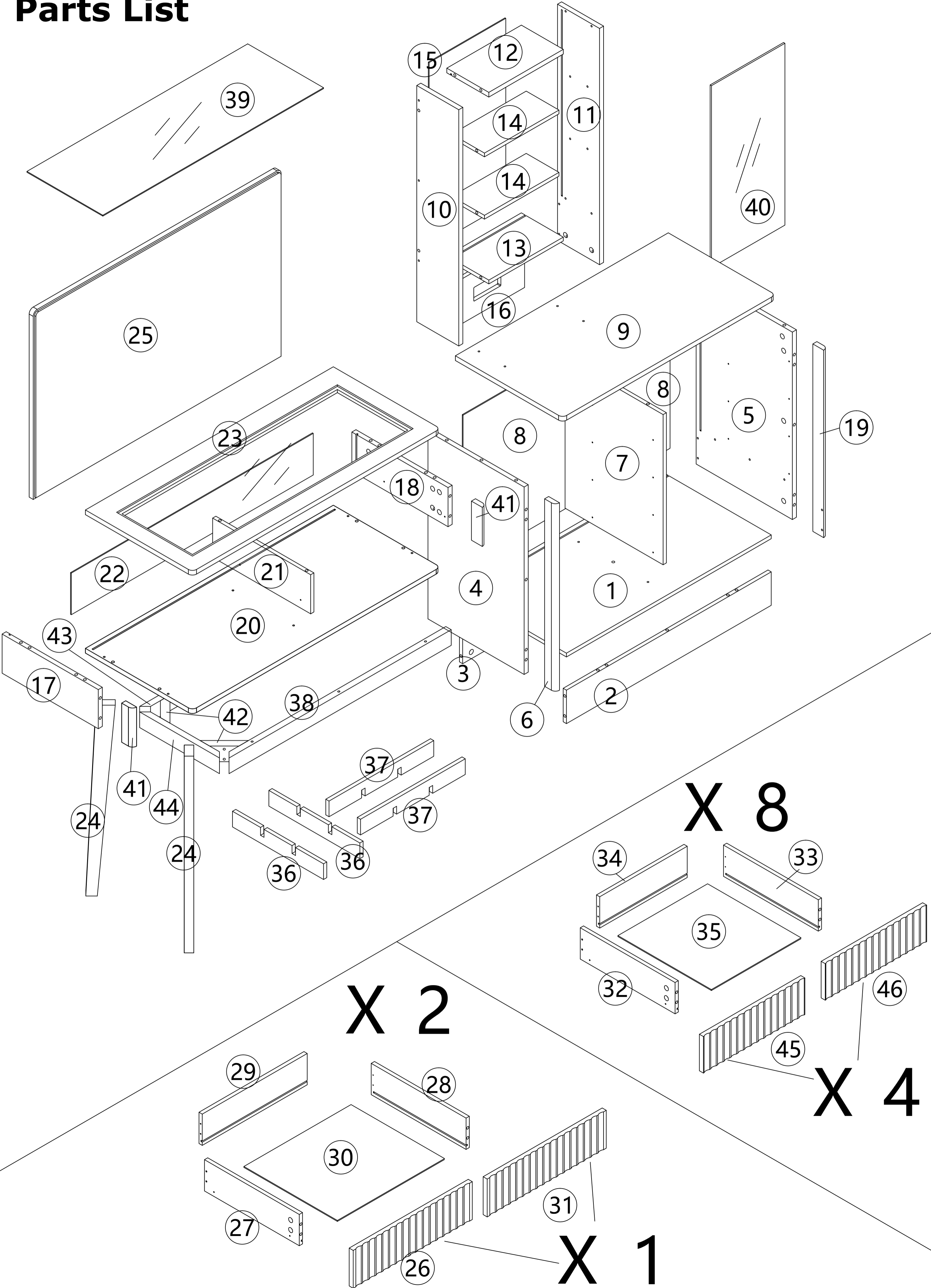


Ø3.5*25mm

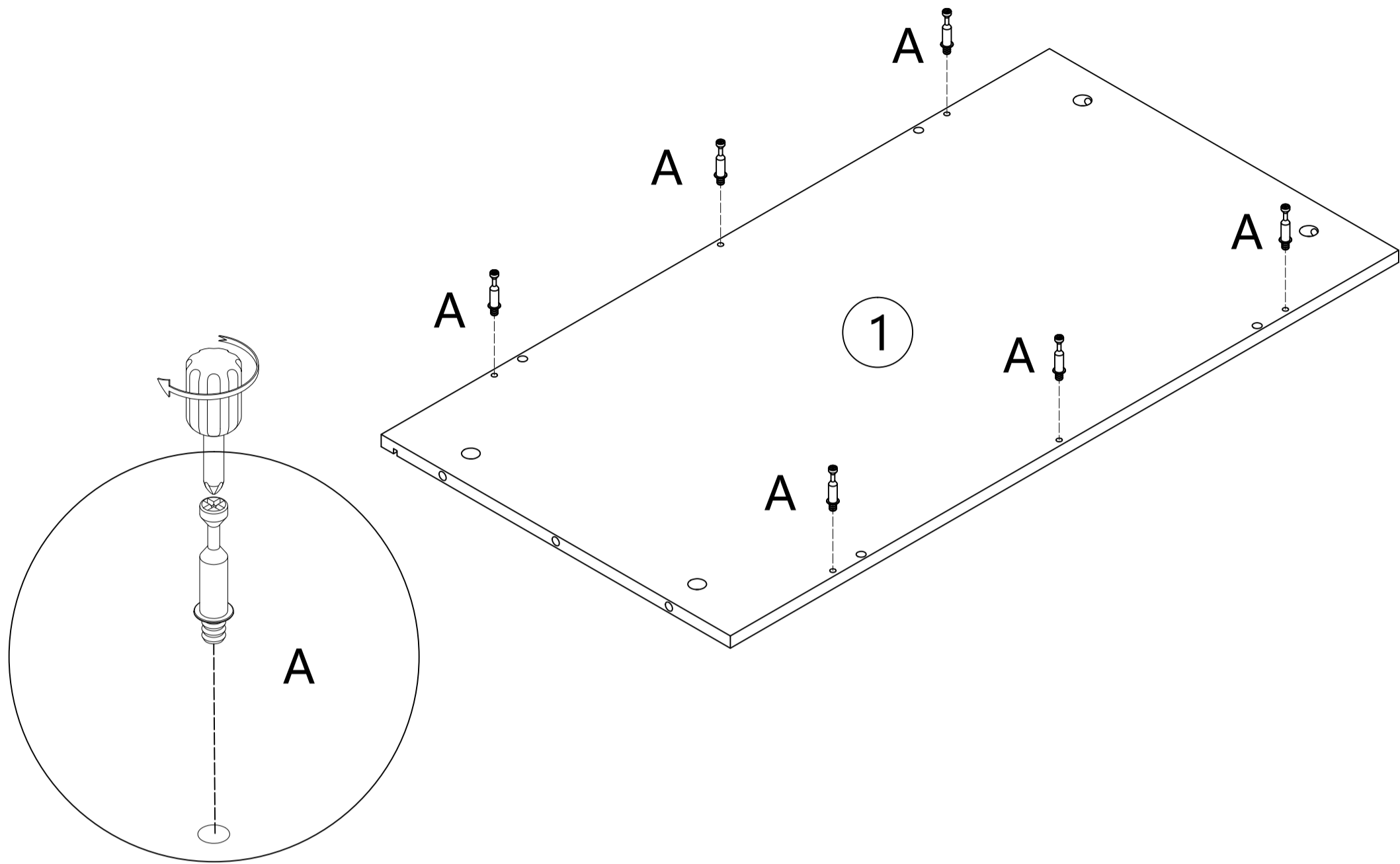
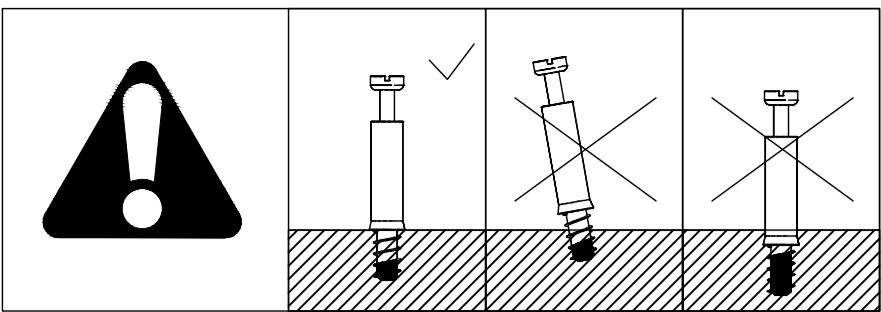
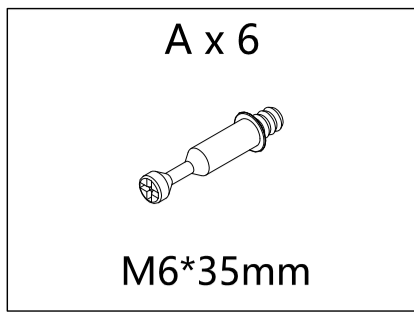
50 x 1



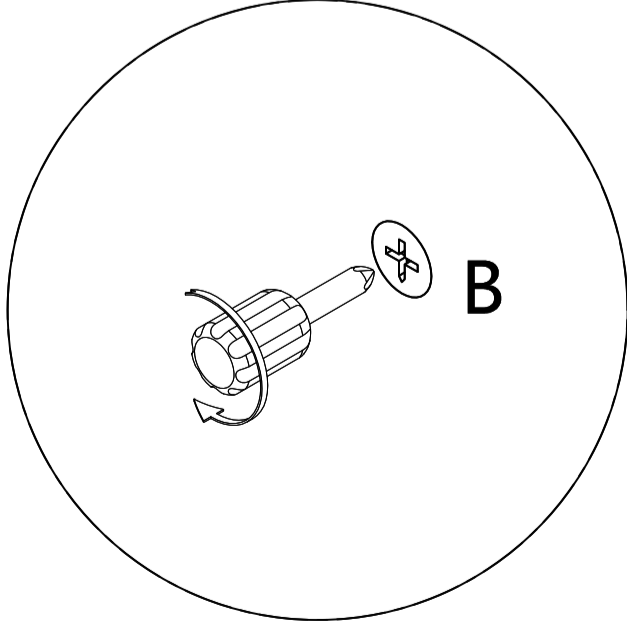
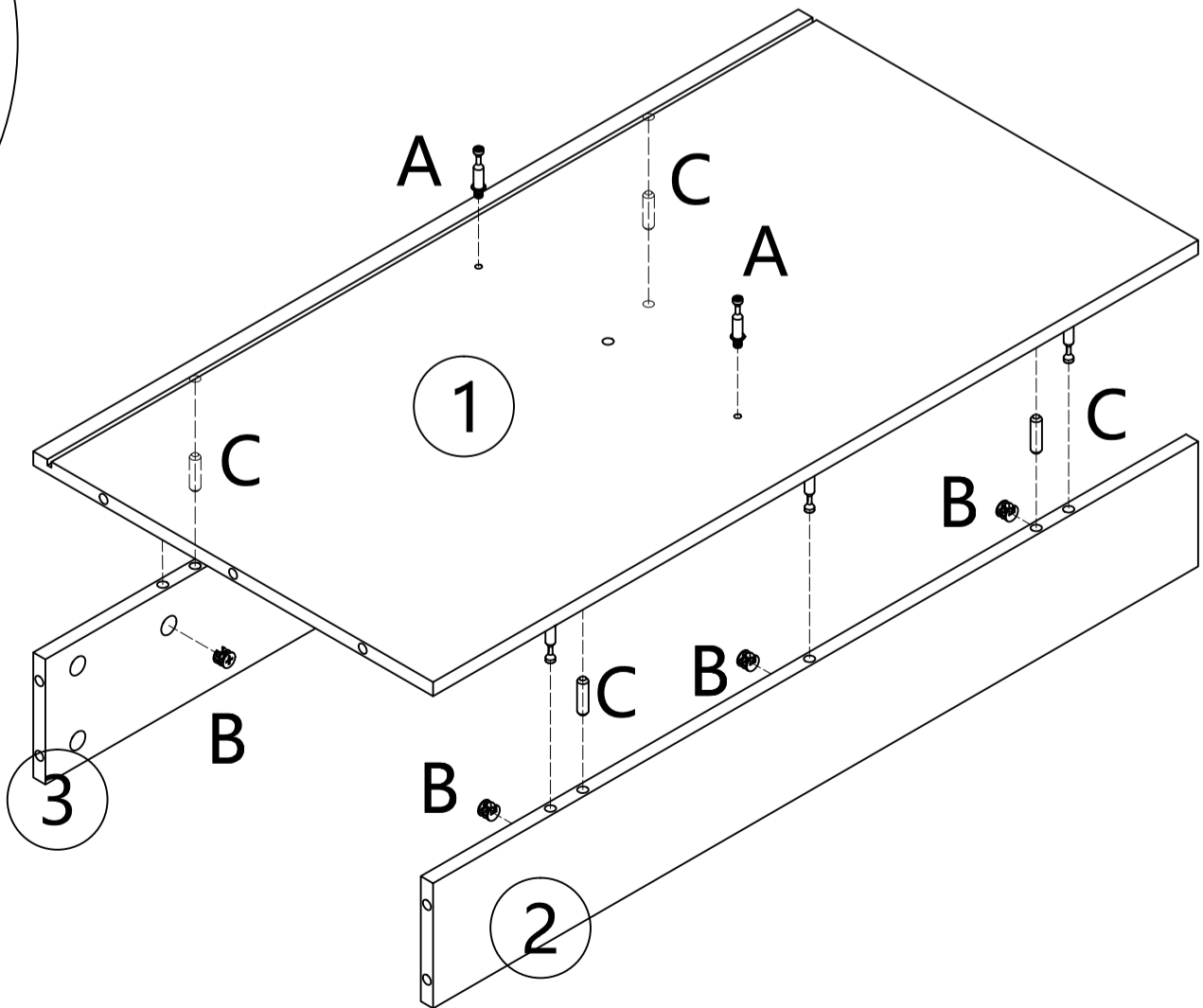
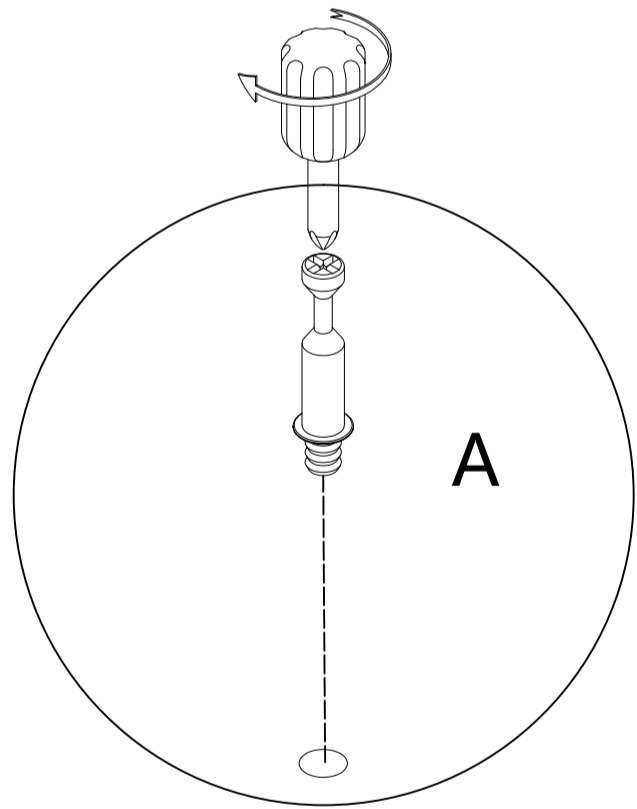
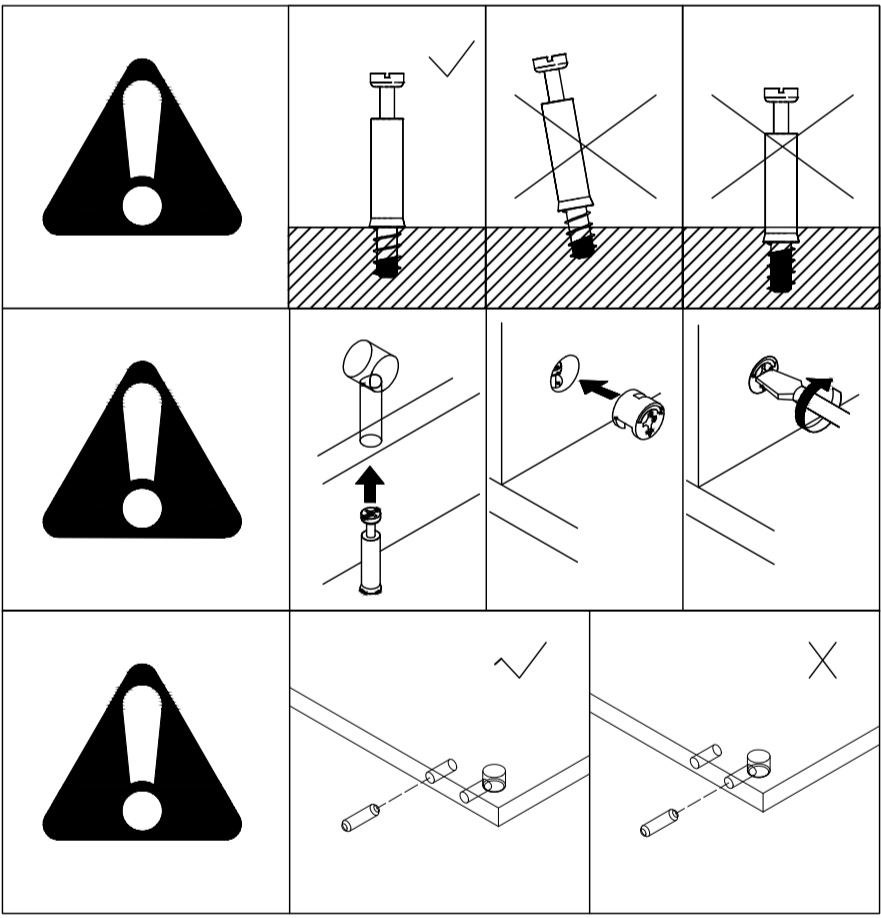
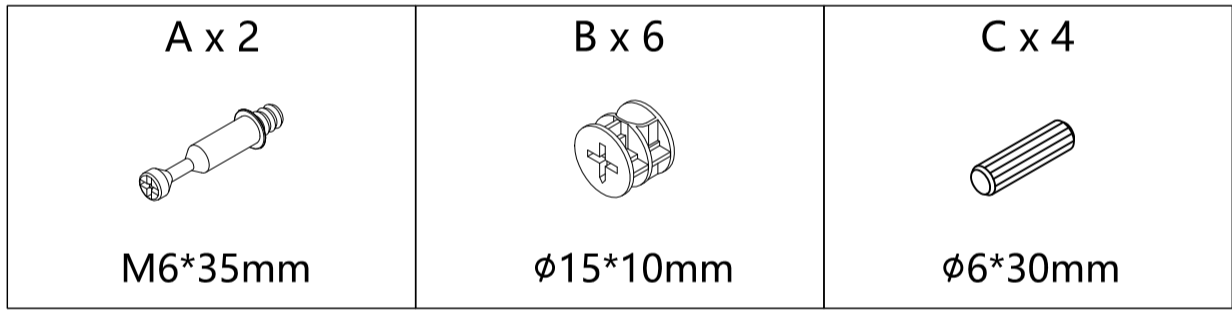
Parts List



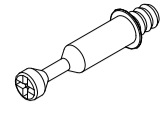
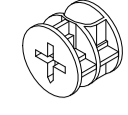
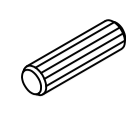
STEP 1

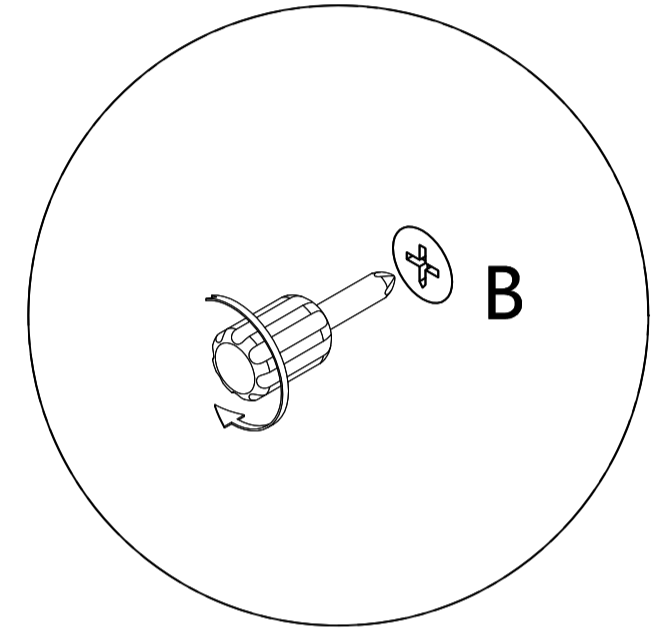
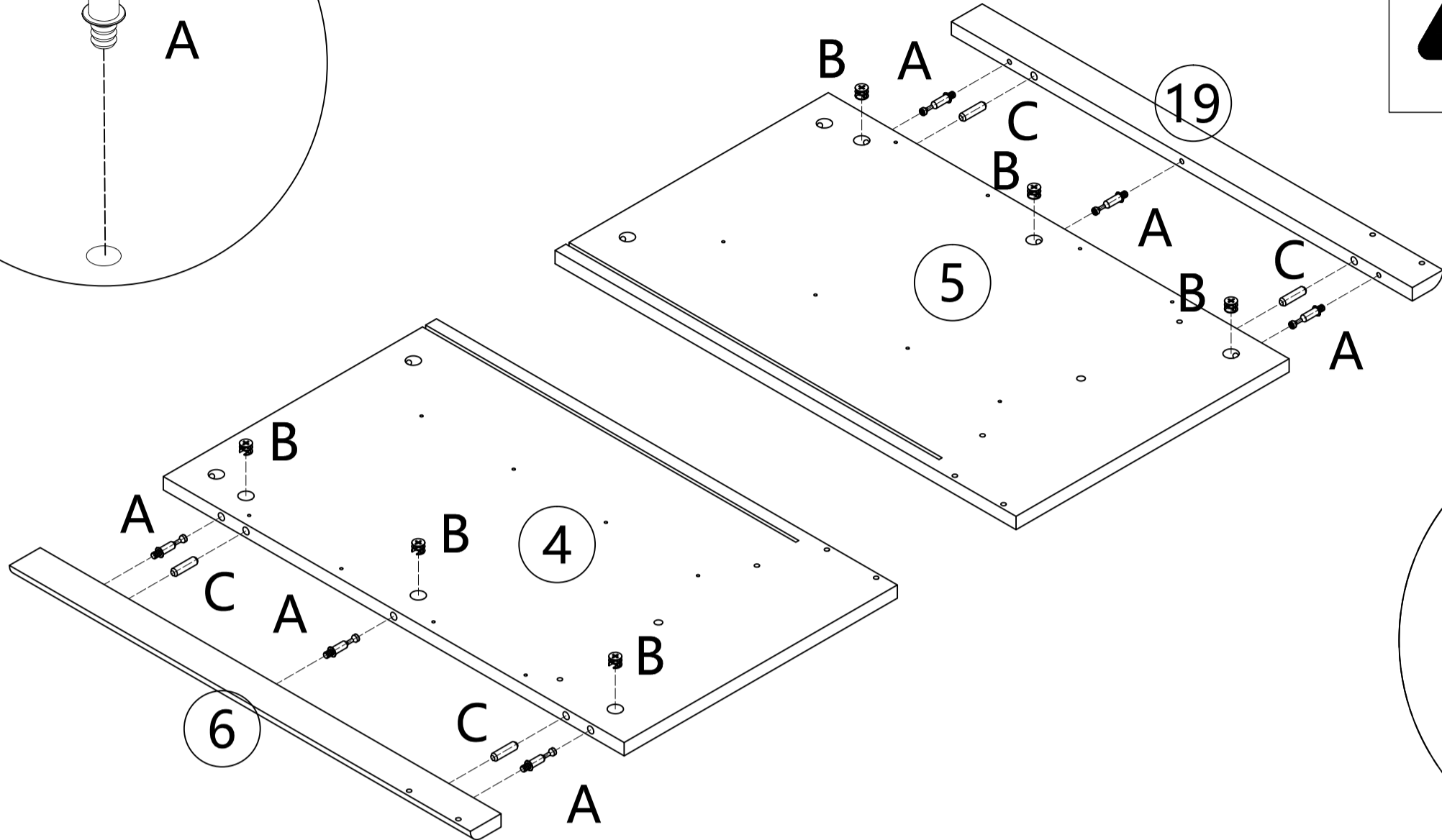
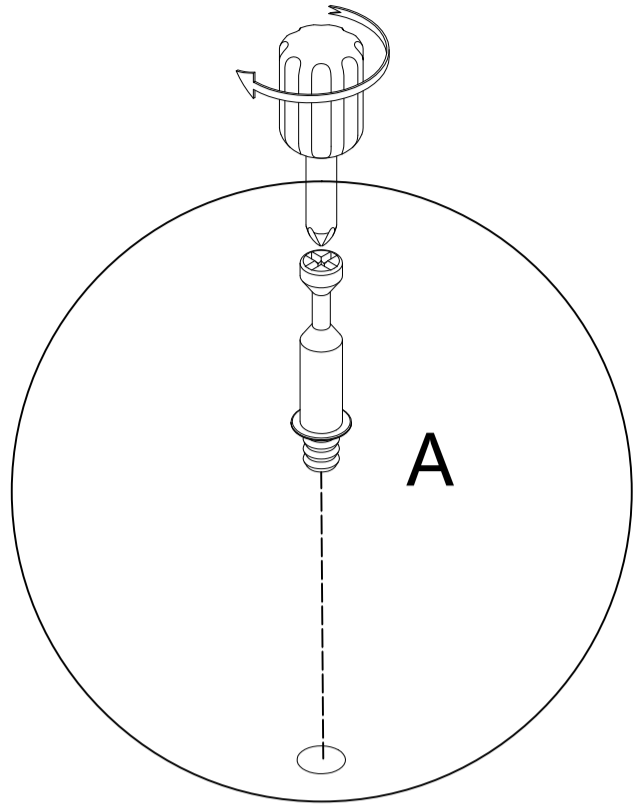
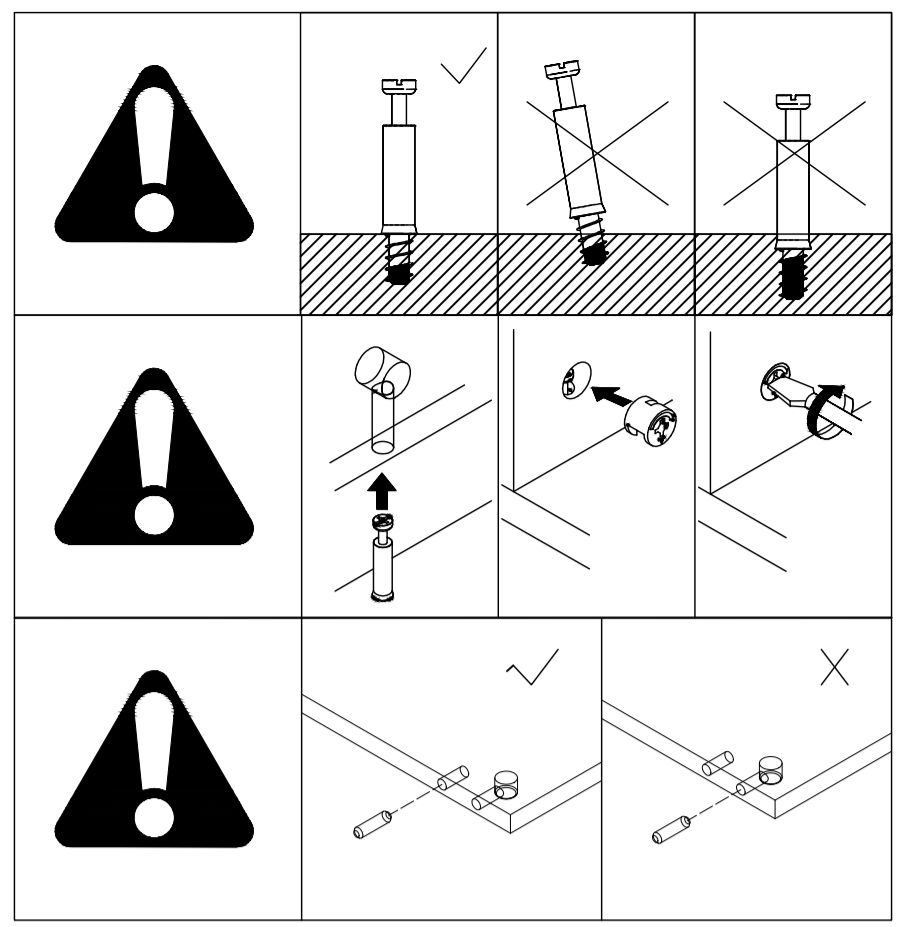


STEP 2

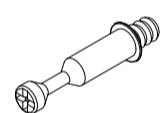


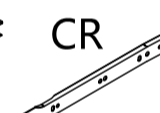


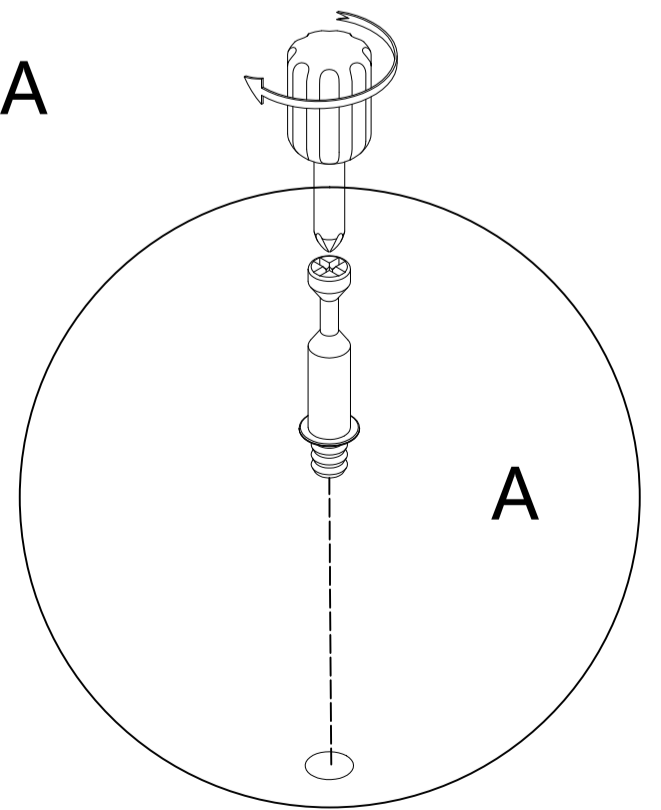
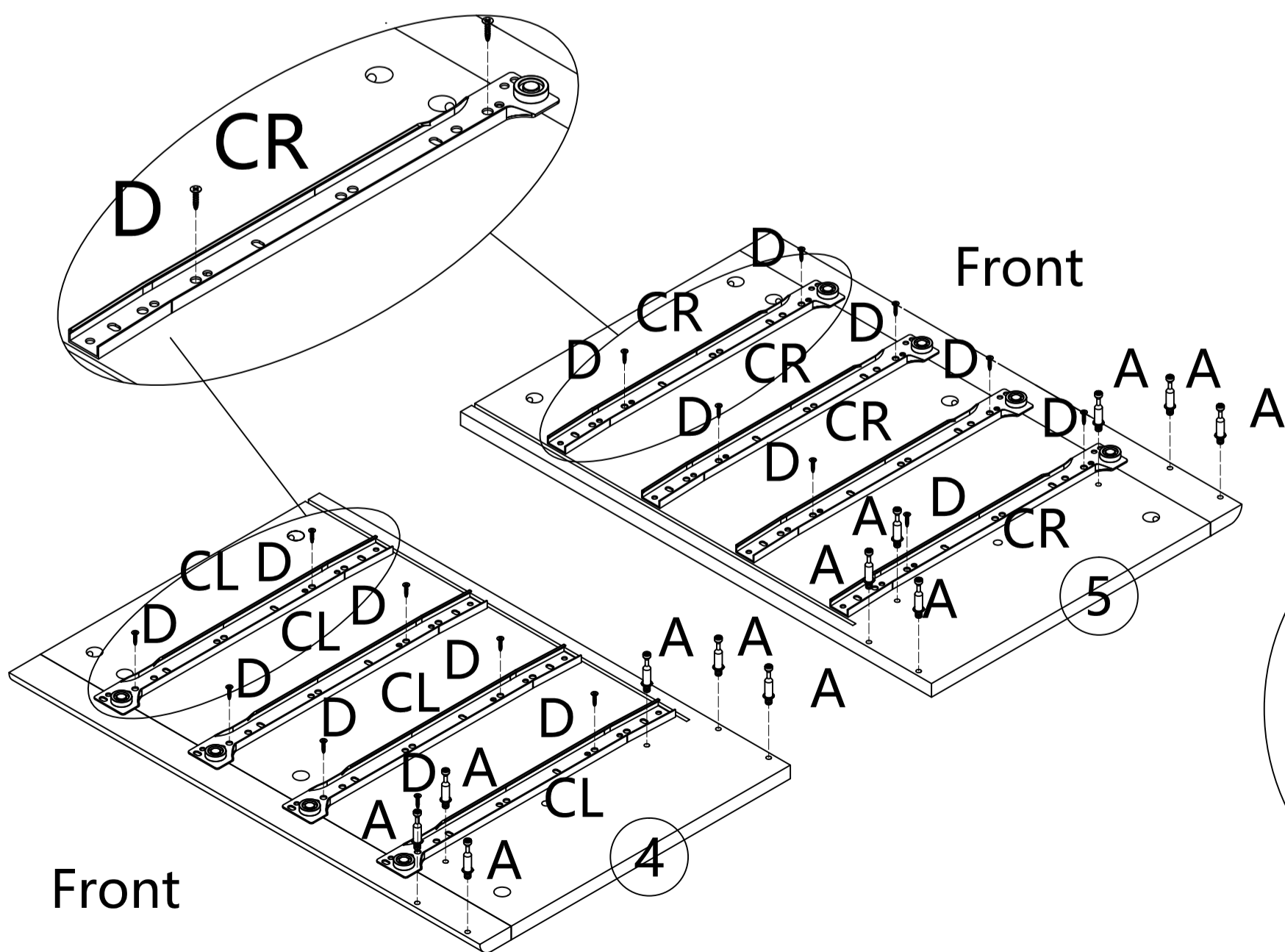
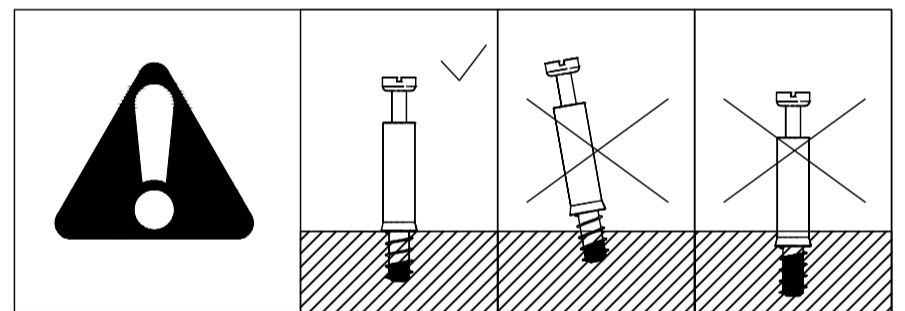
STEP 3

A x 6  M6*35mm	B x 6  φ15*10mm	C x 4  φ6*30mm
---	--	---


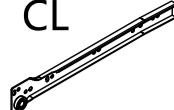
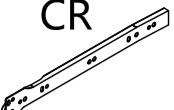


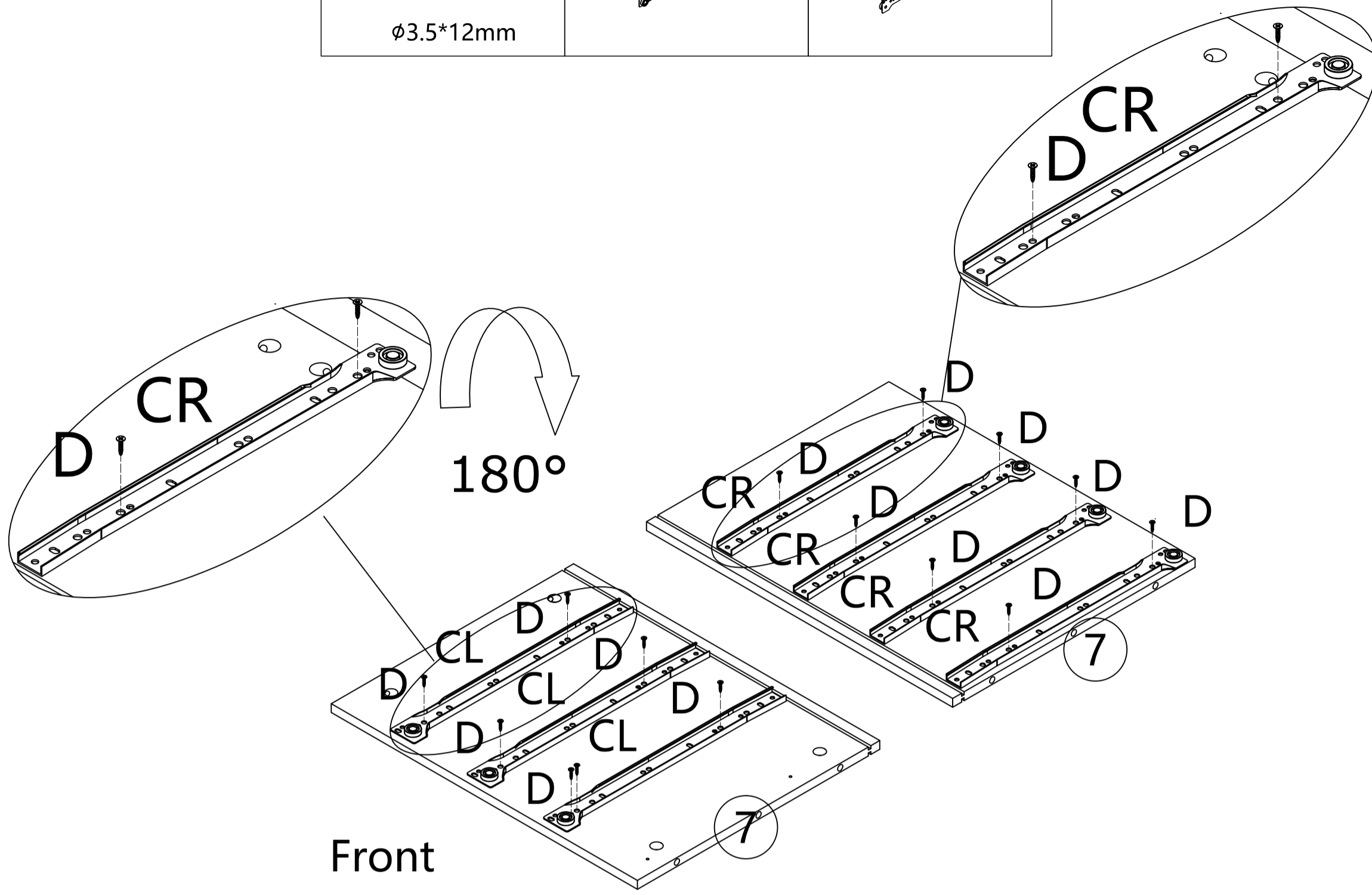
STEP 4

A x 12  M6*35mm	D x 16  φ3.5*12mm	F x 4 CL  CR 
--	--	--

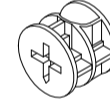
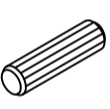


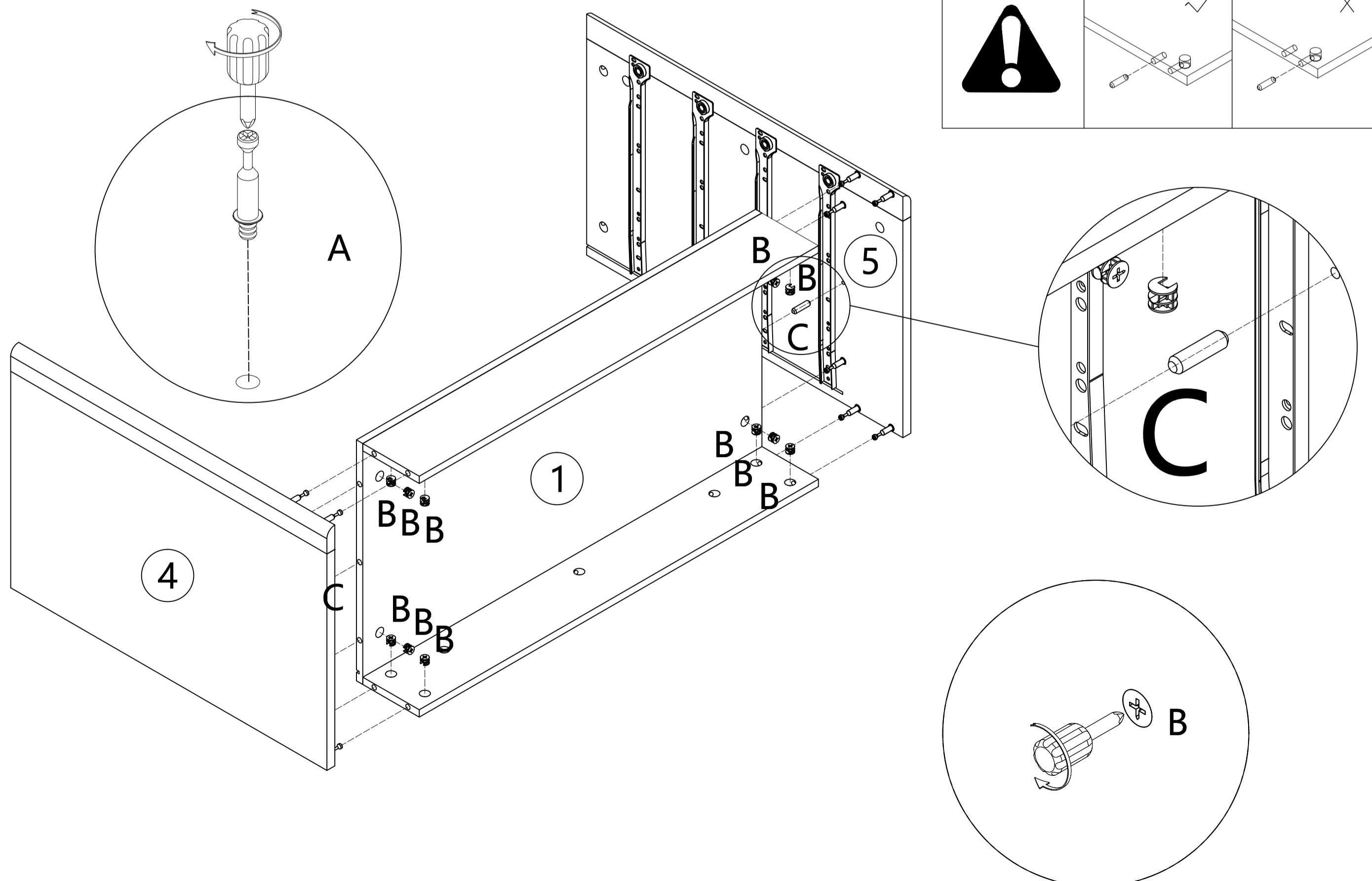
STEP 5

D x 14  φ3.5*12mm	F-1 x 3 CL 	F-1 x 4 CR 
--	--	--

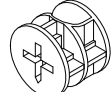
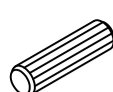


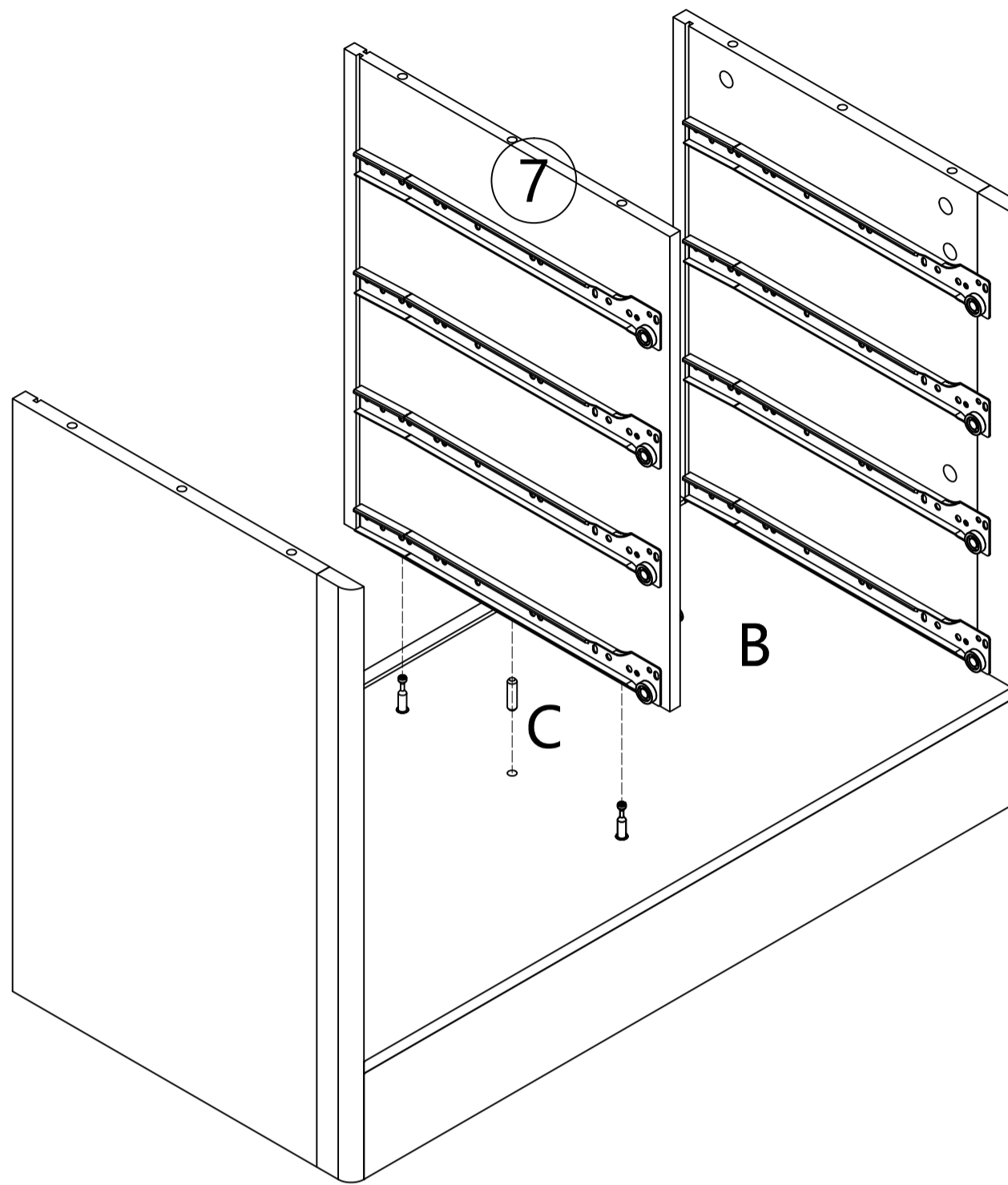
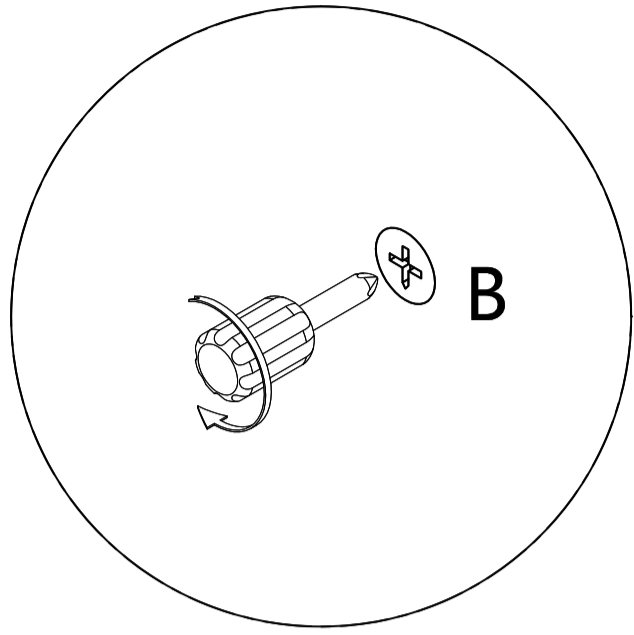
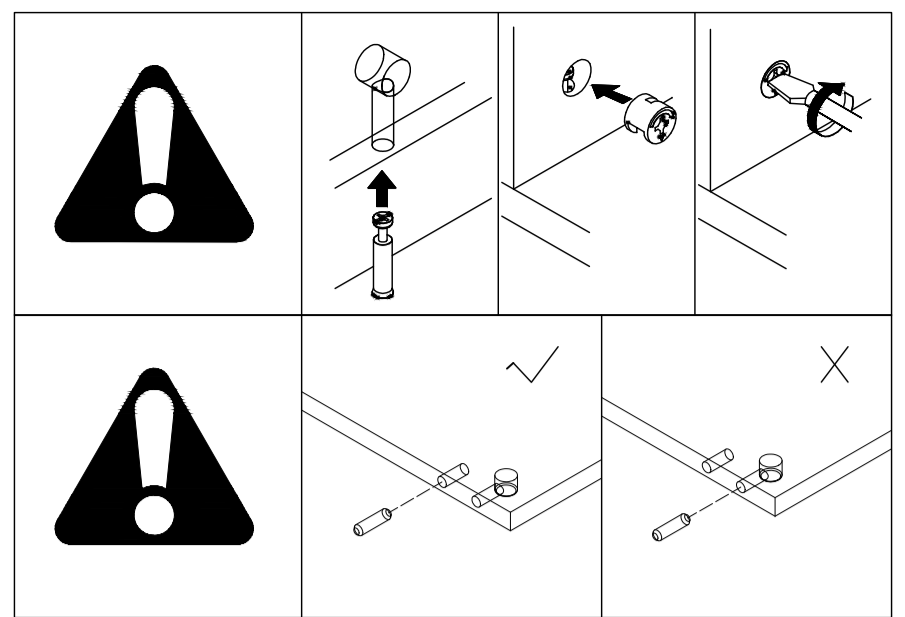
STEP 6

B x 12  φ15*10mm	C x 2  φ6*30mm
---	---





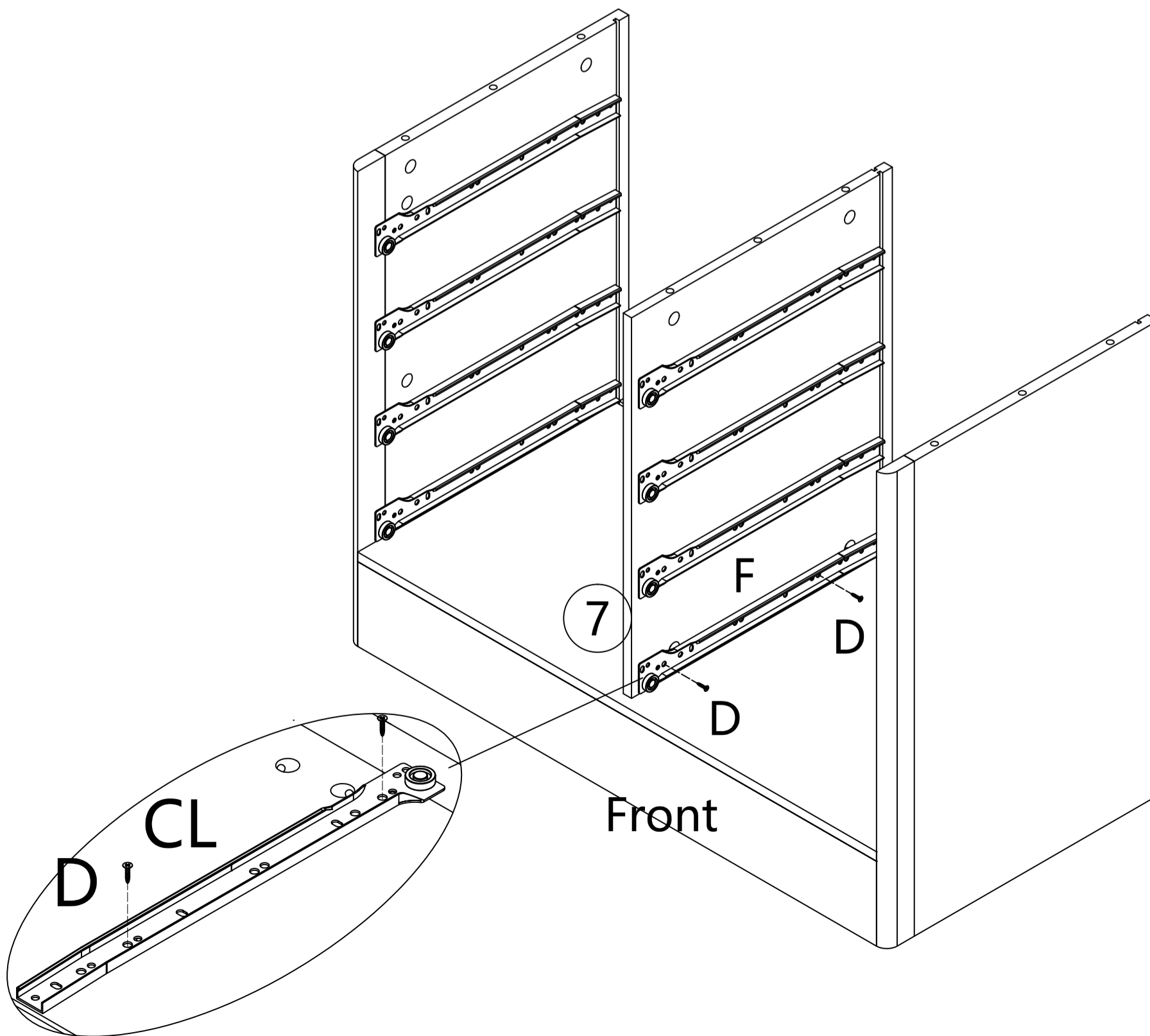
STEP 7

B x 2  φ15*10mm	C x 1  φ6*30mm
--	---

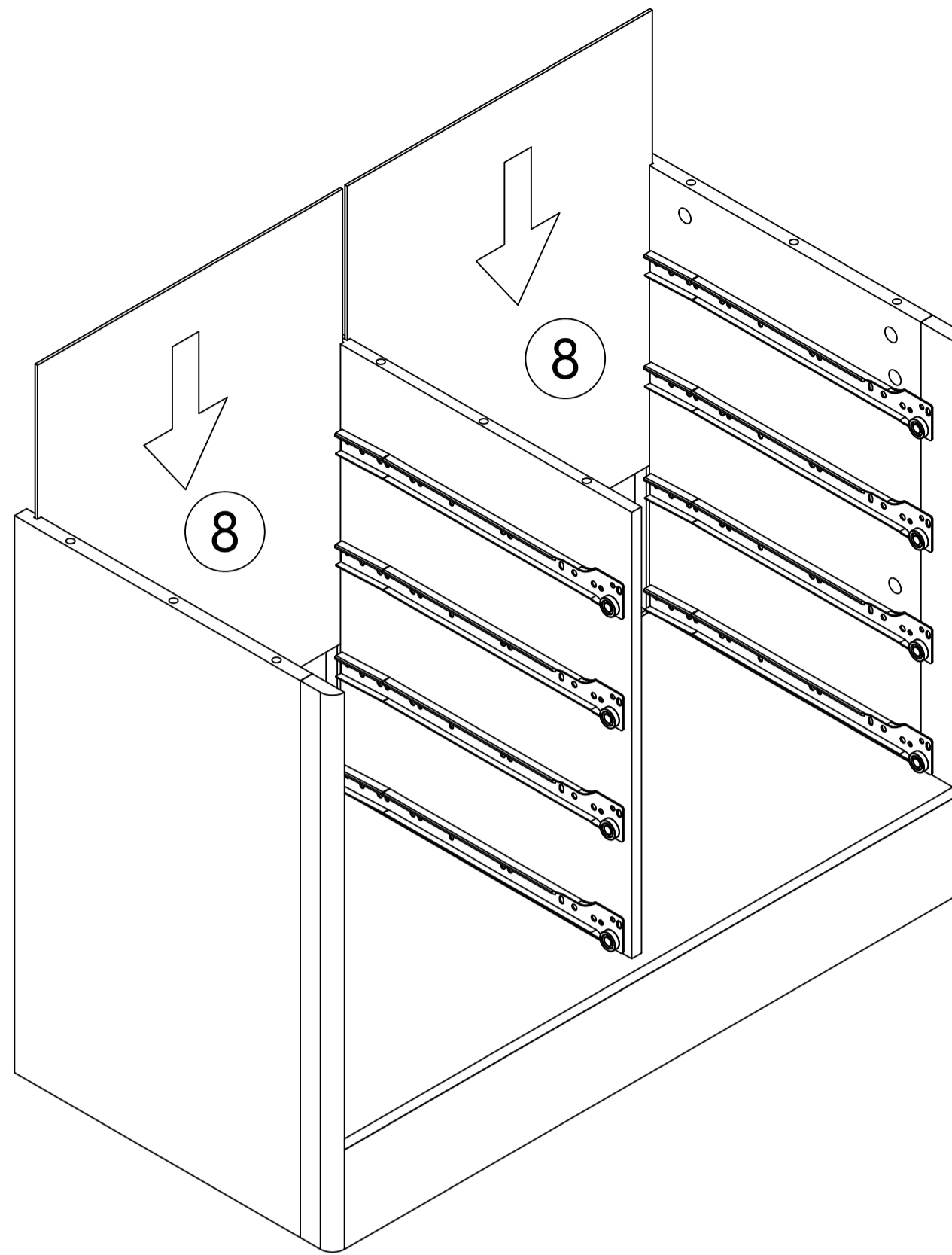


STEP 8

D x 2  φ3.5*12mm	F-1 x 1 CL 
---	--

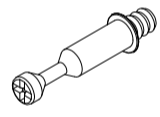


STEP 9

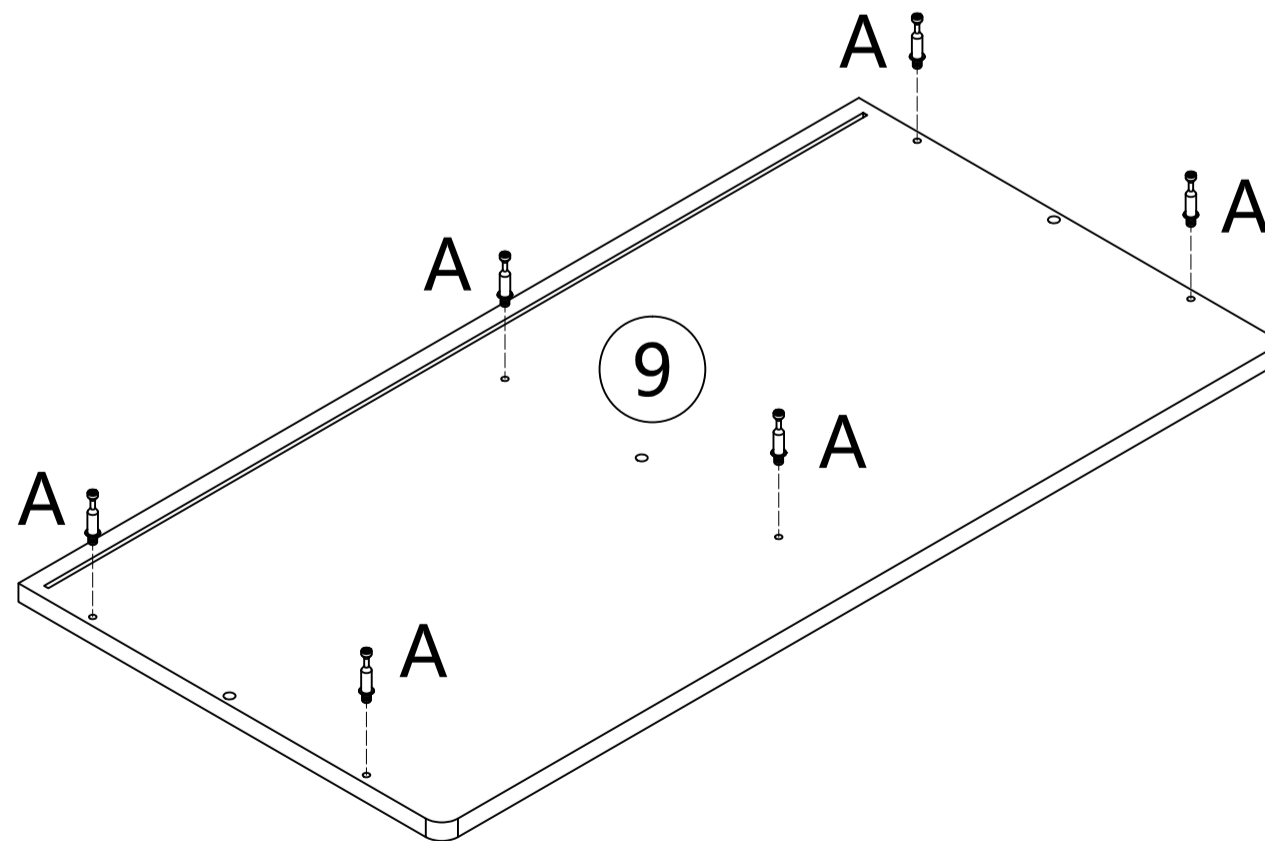
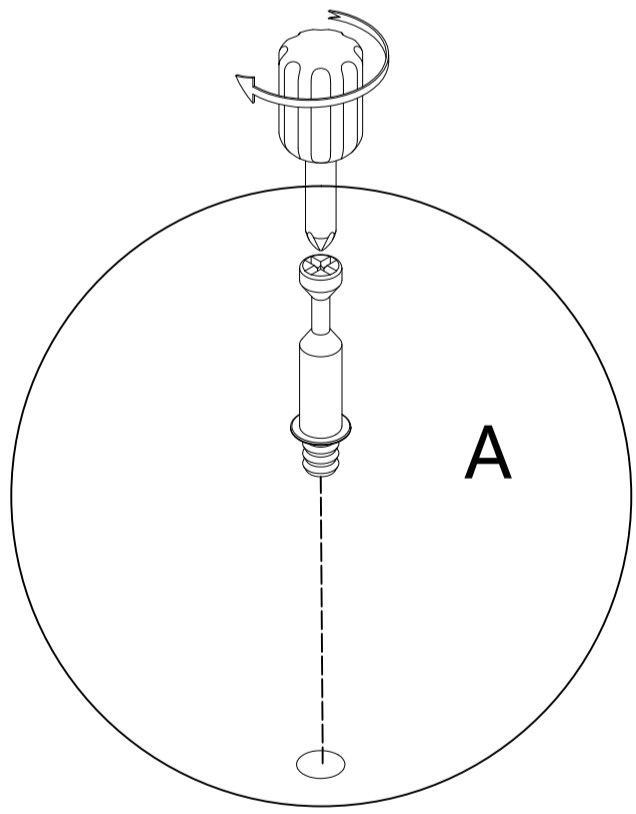
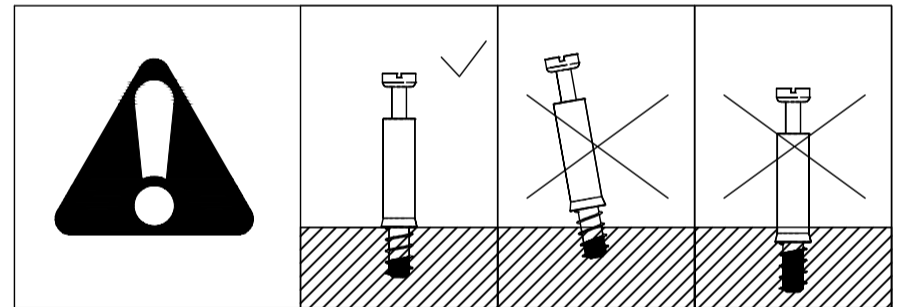


STEP 10

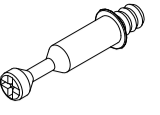
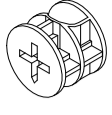
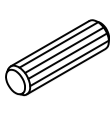
A x 6

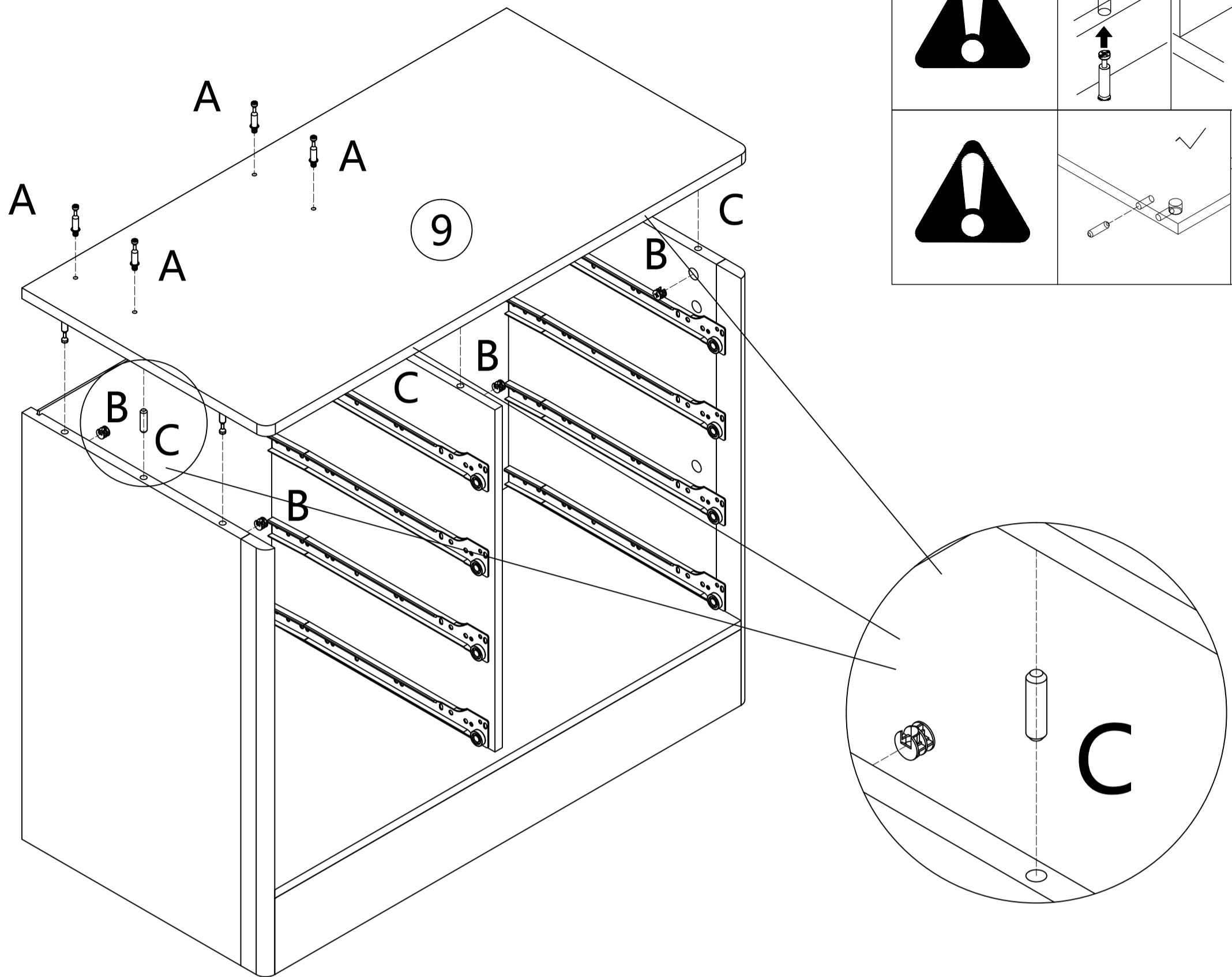
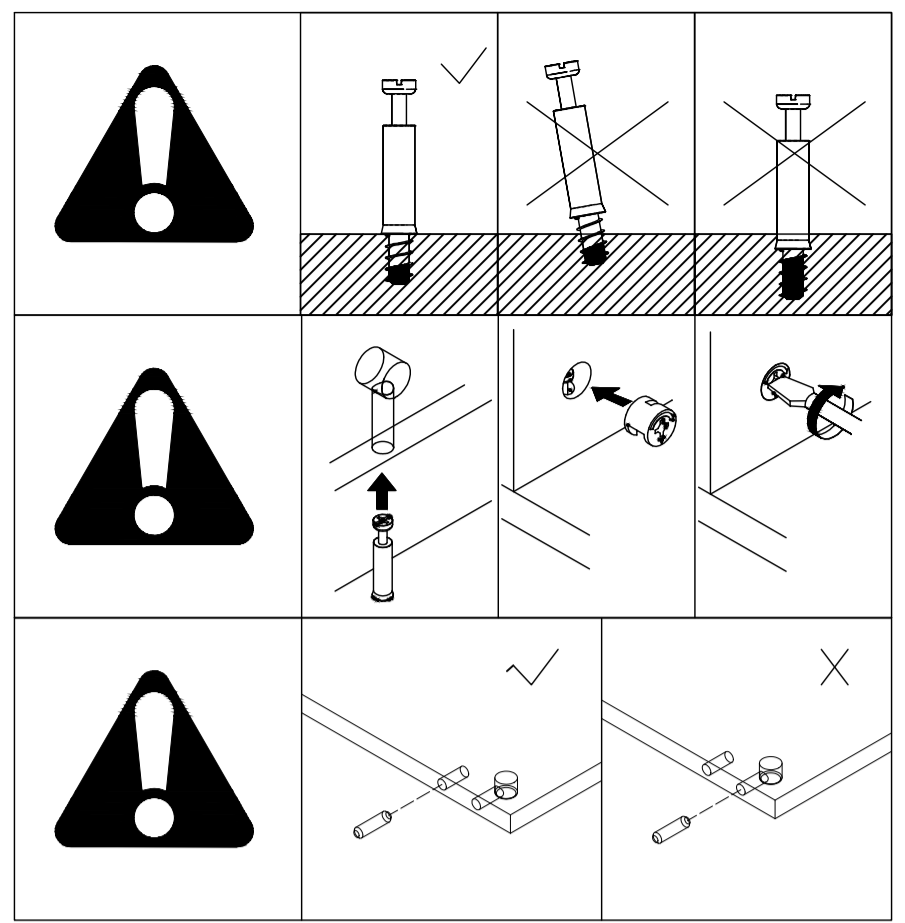


M6*35mm

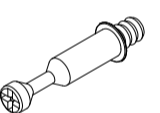


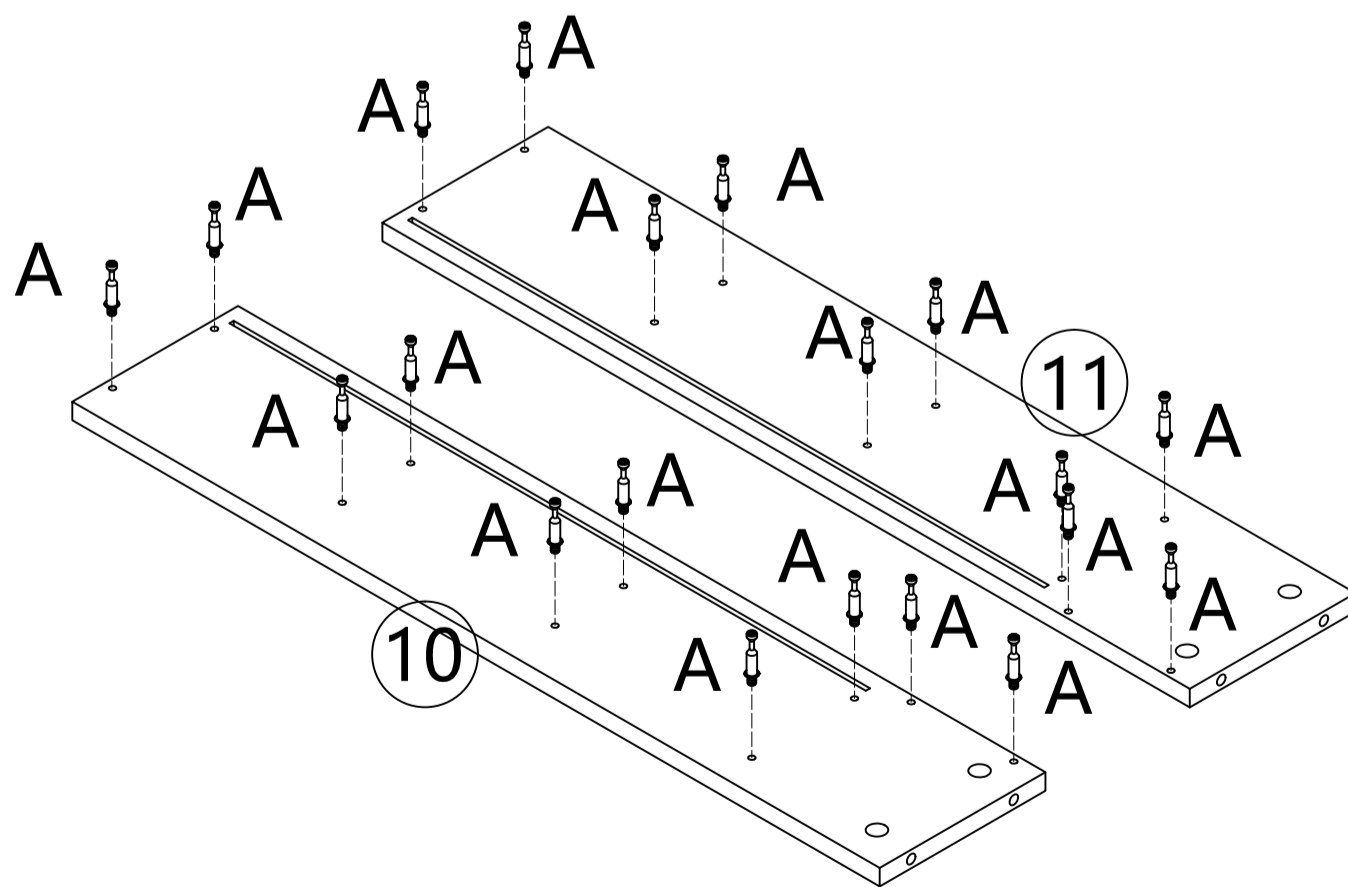
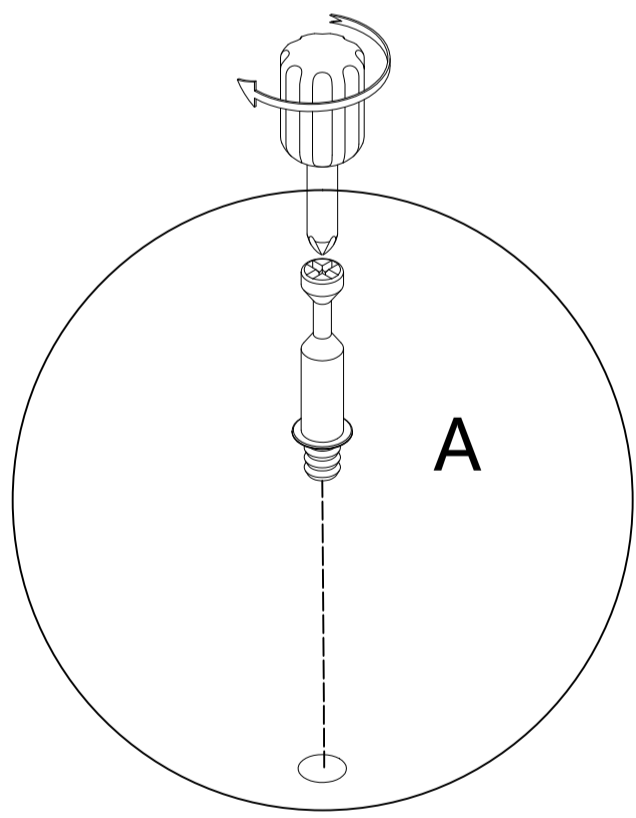
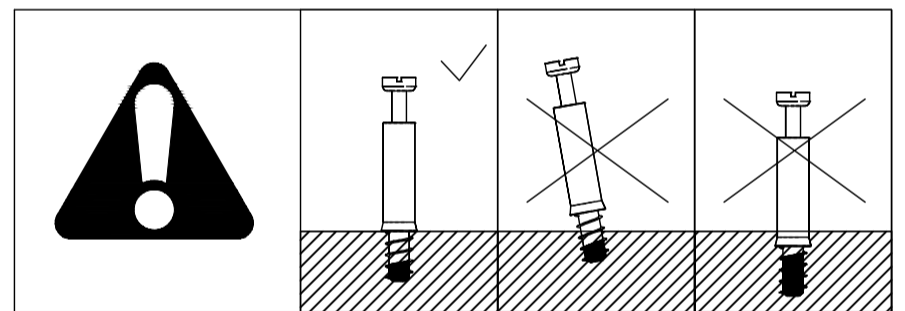
STEP 11

A x 4  M6*35mm	B x 6  φ15*10mm	C x 3  φ6*30mm
---	--	---

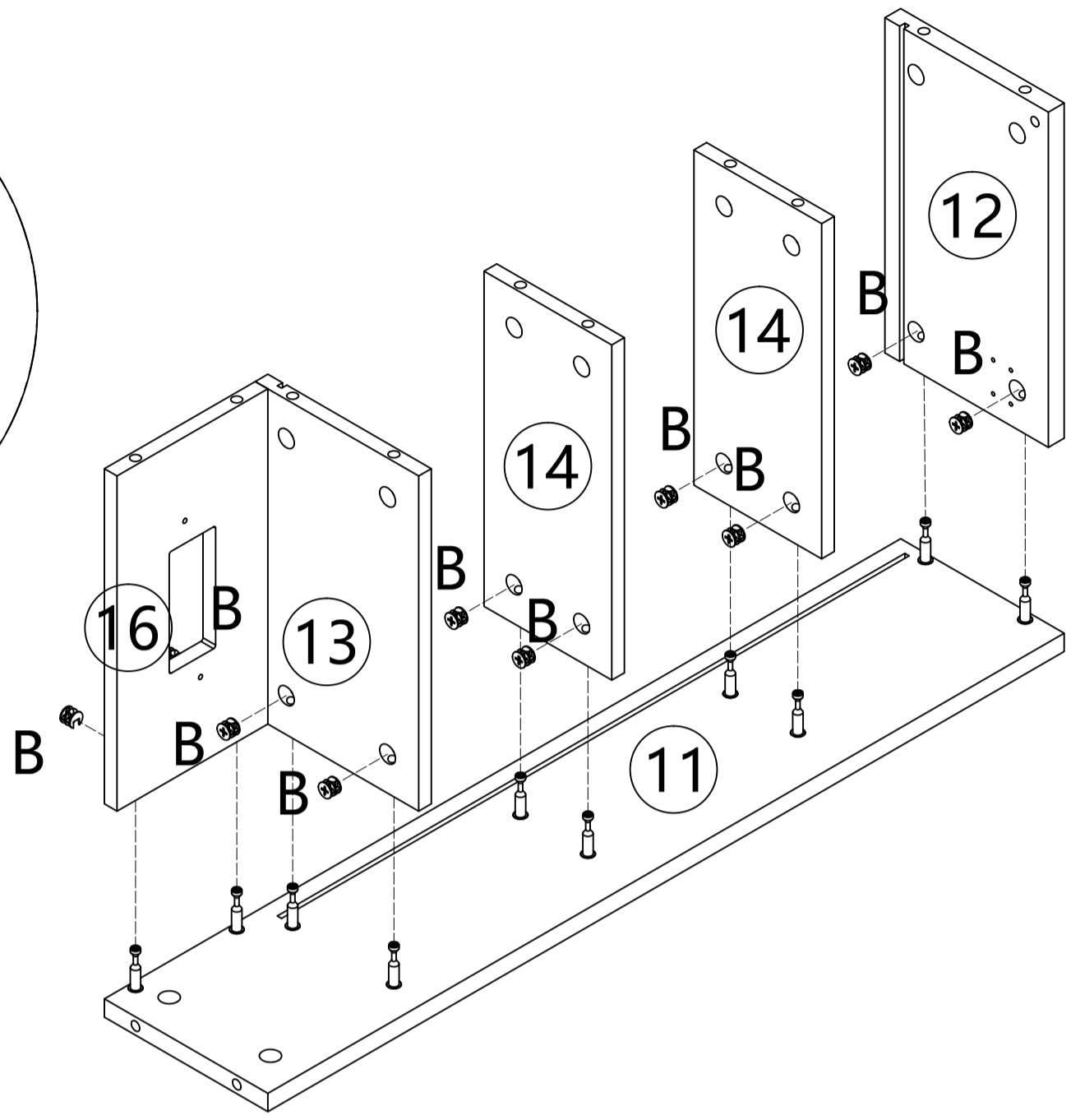
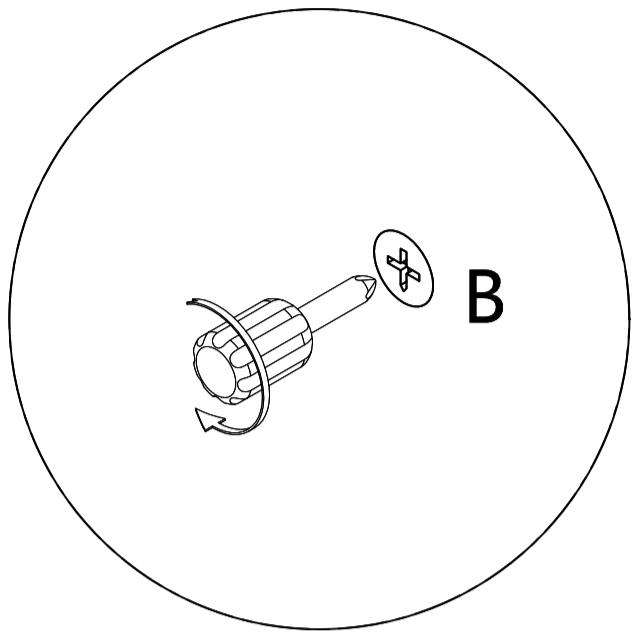
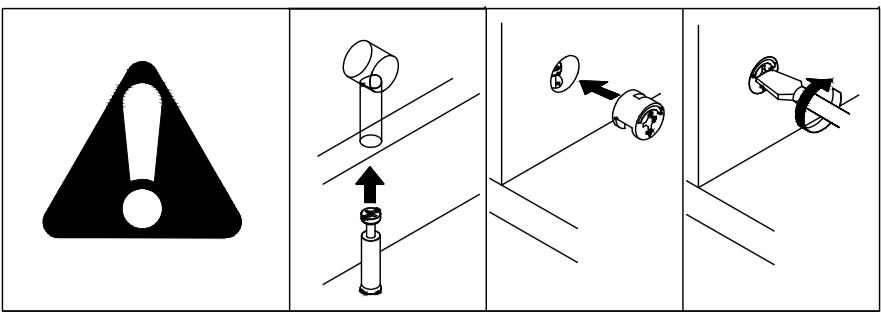
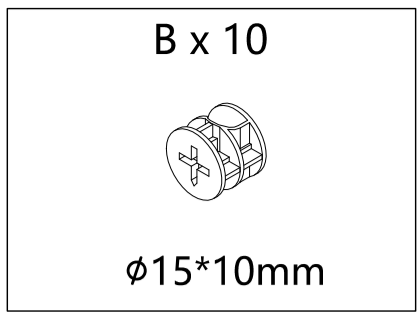


STEP 12

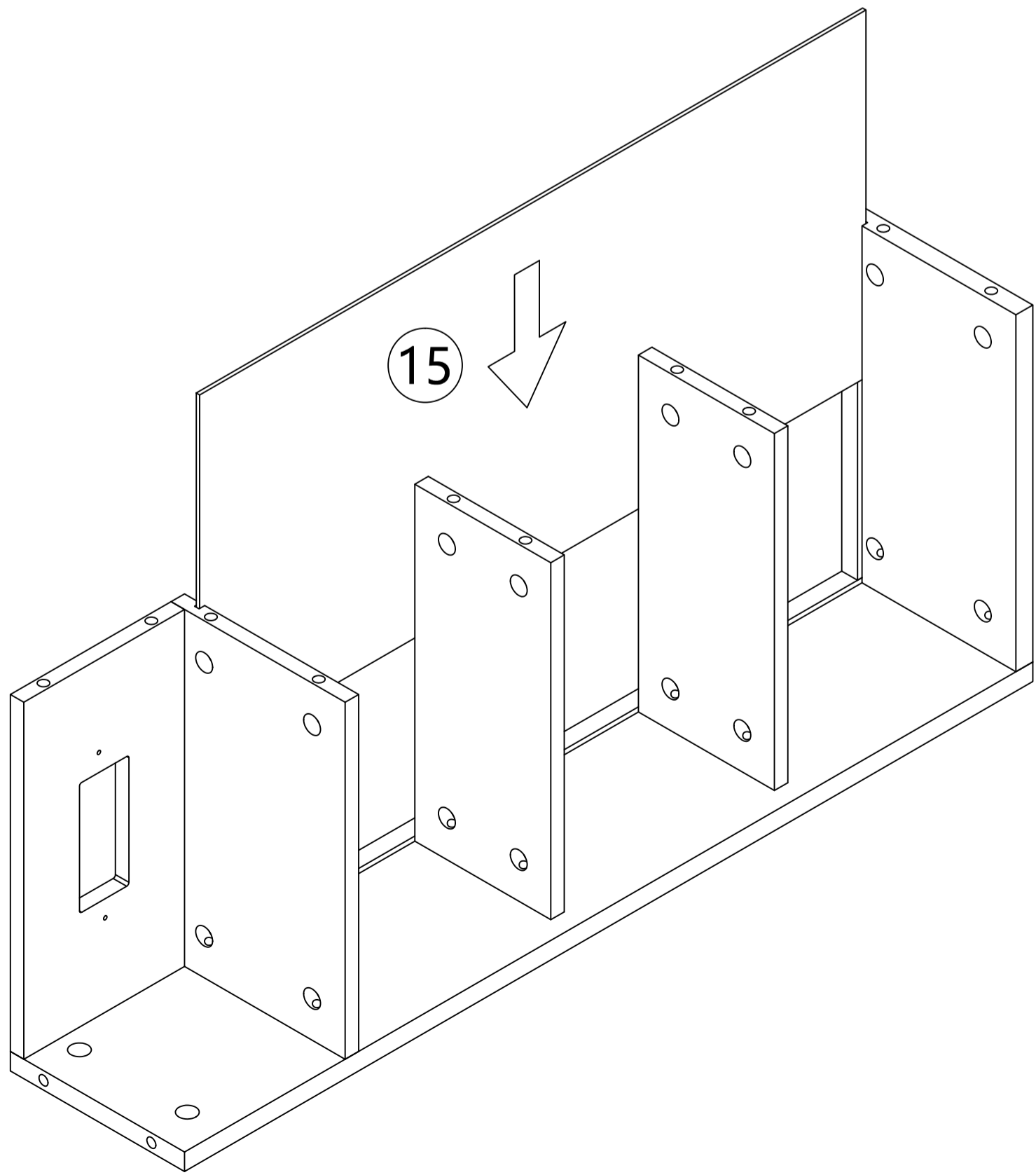
A x 20  M6*35mm
--



STEP 13

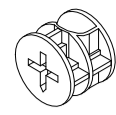


STEP 14

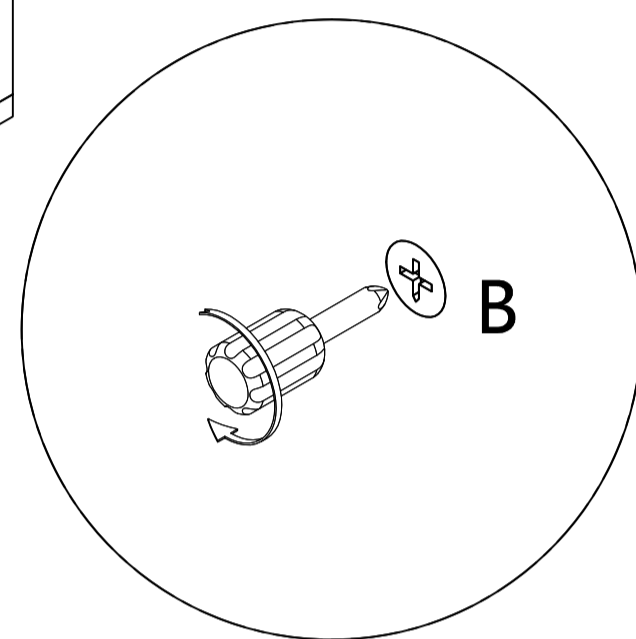
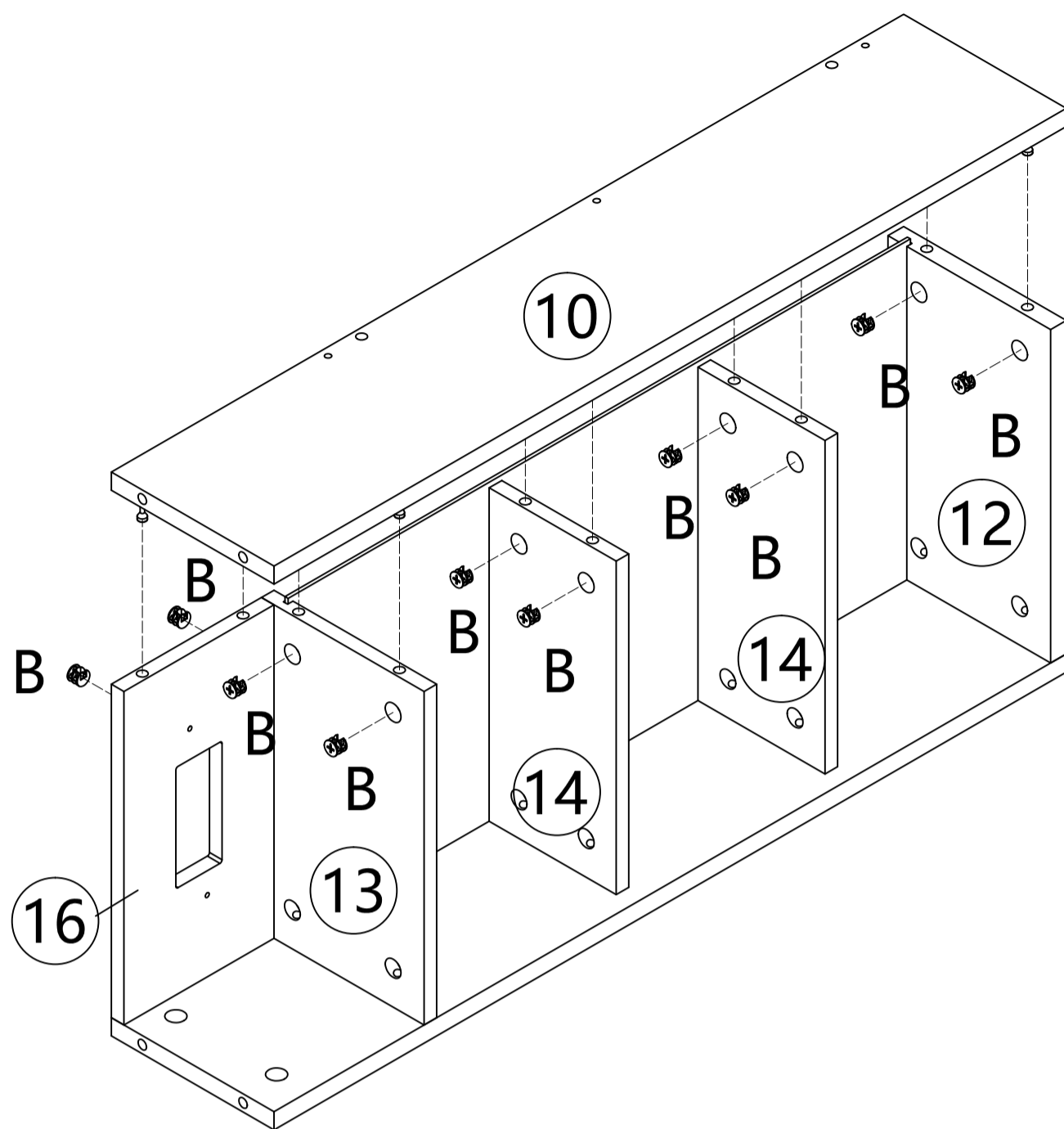
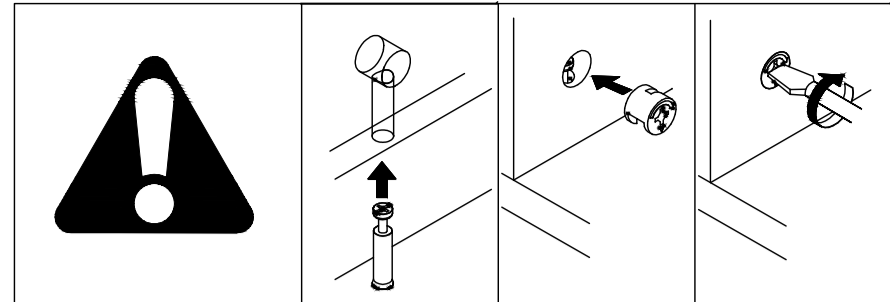


STEP 15

B x 10

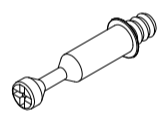


φ15*10mm

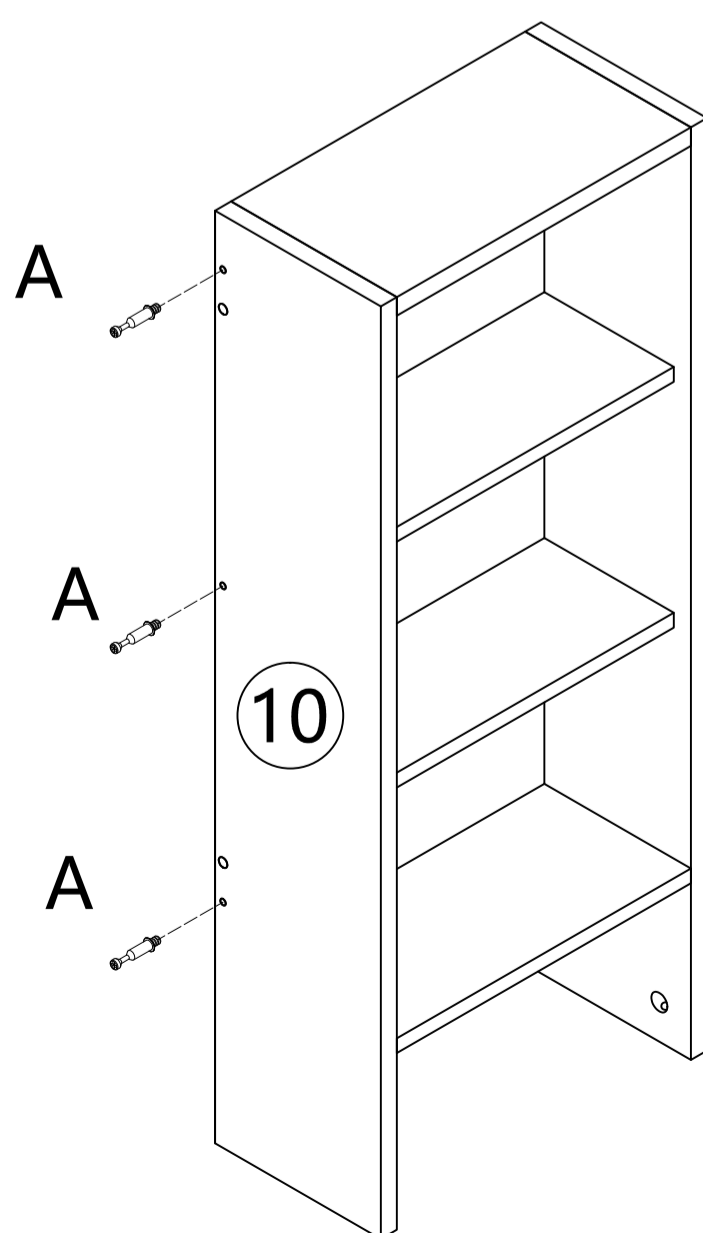
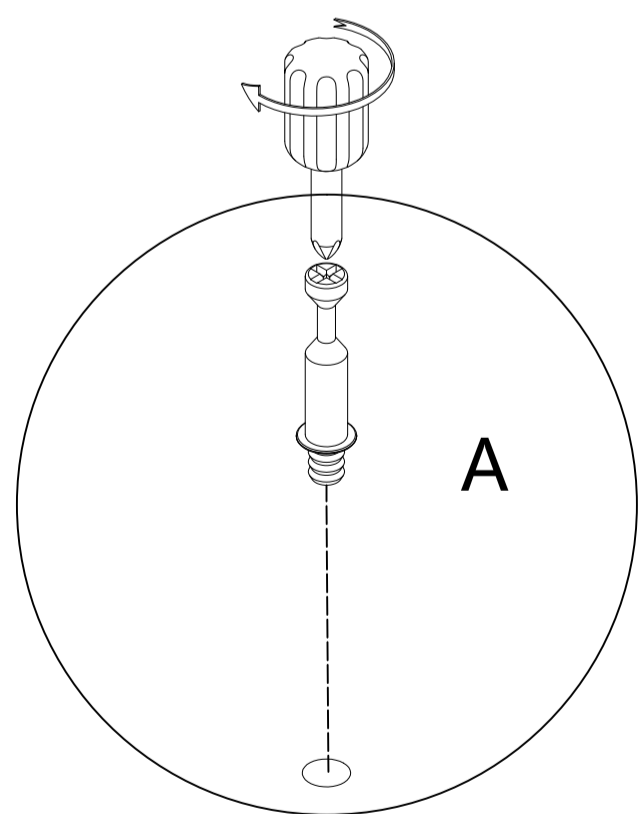
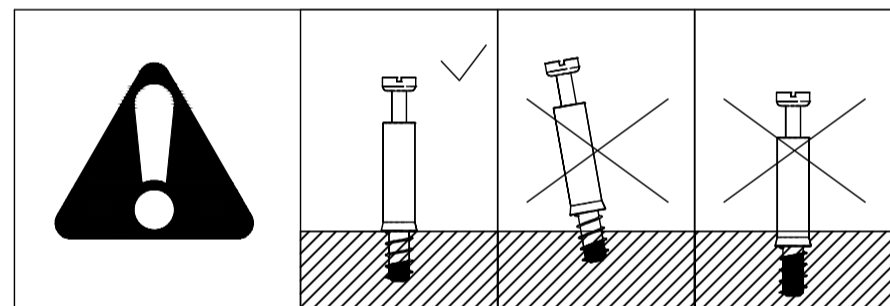


STEP 16

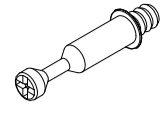
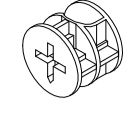
A x 3

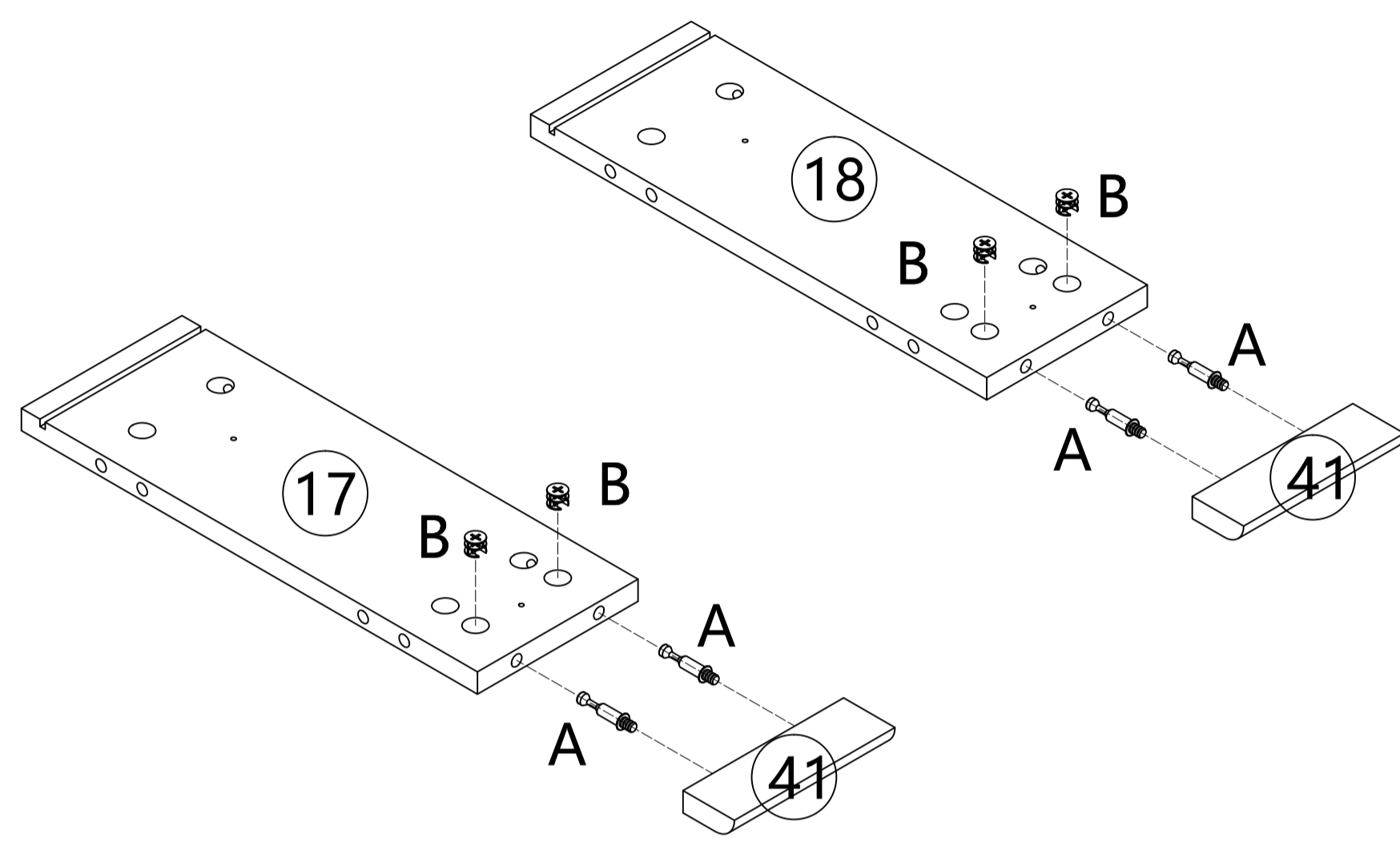
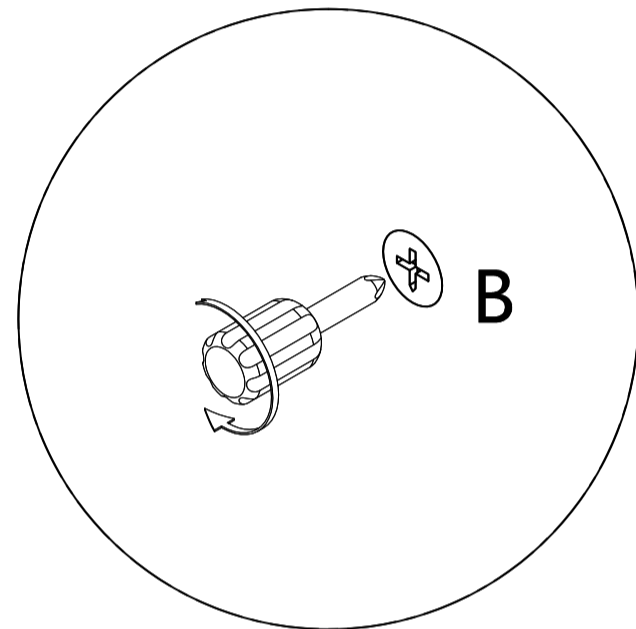
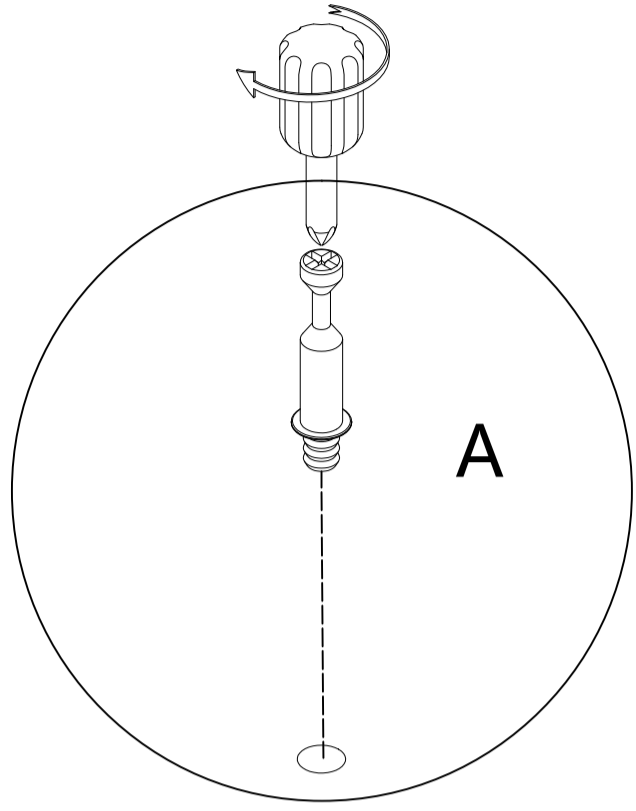
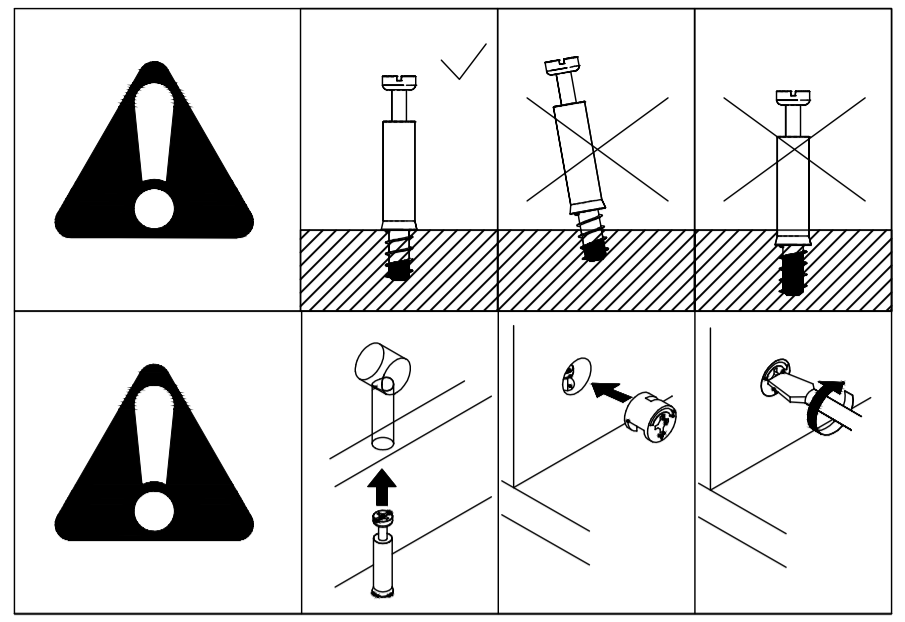


M6*35mm


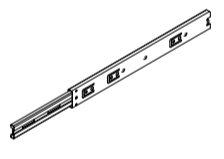


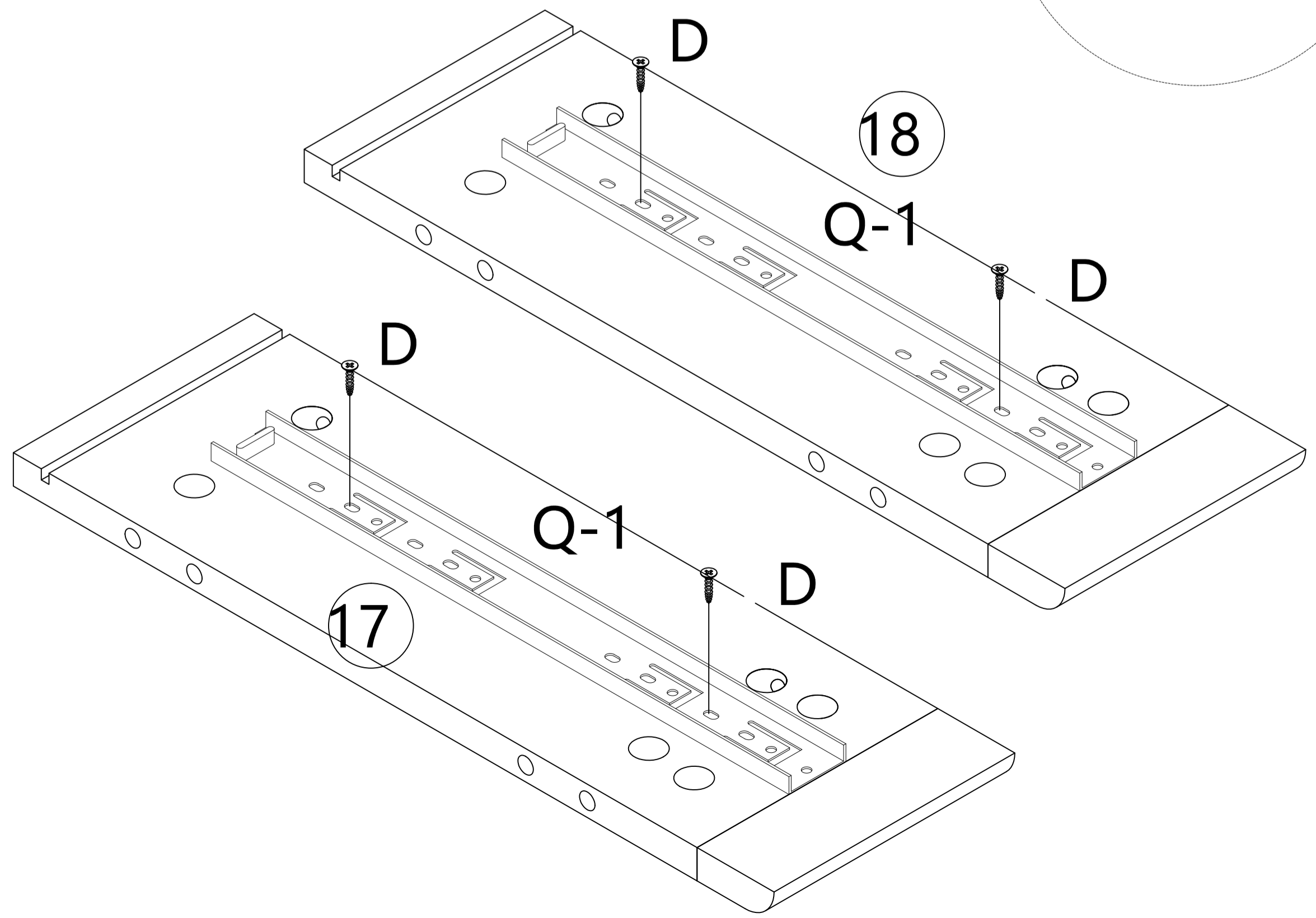
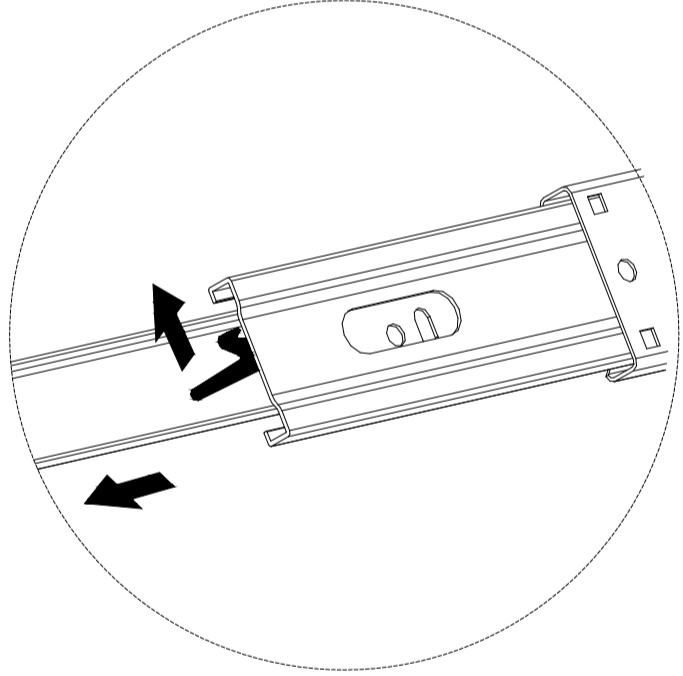
STEP 17

A x 4  M6*35mm	B x 4  φ15*10mm
---	--

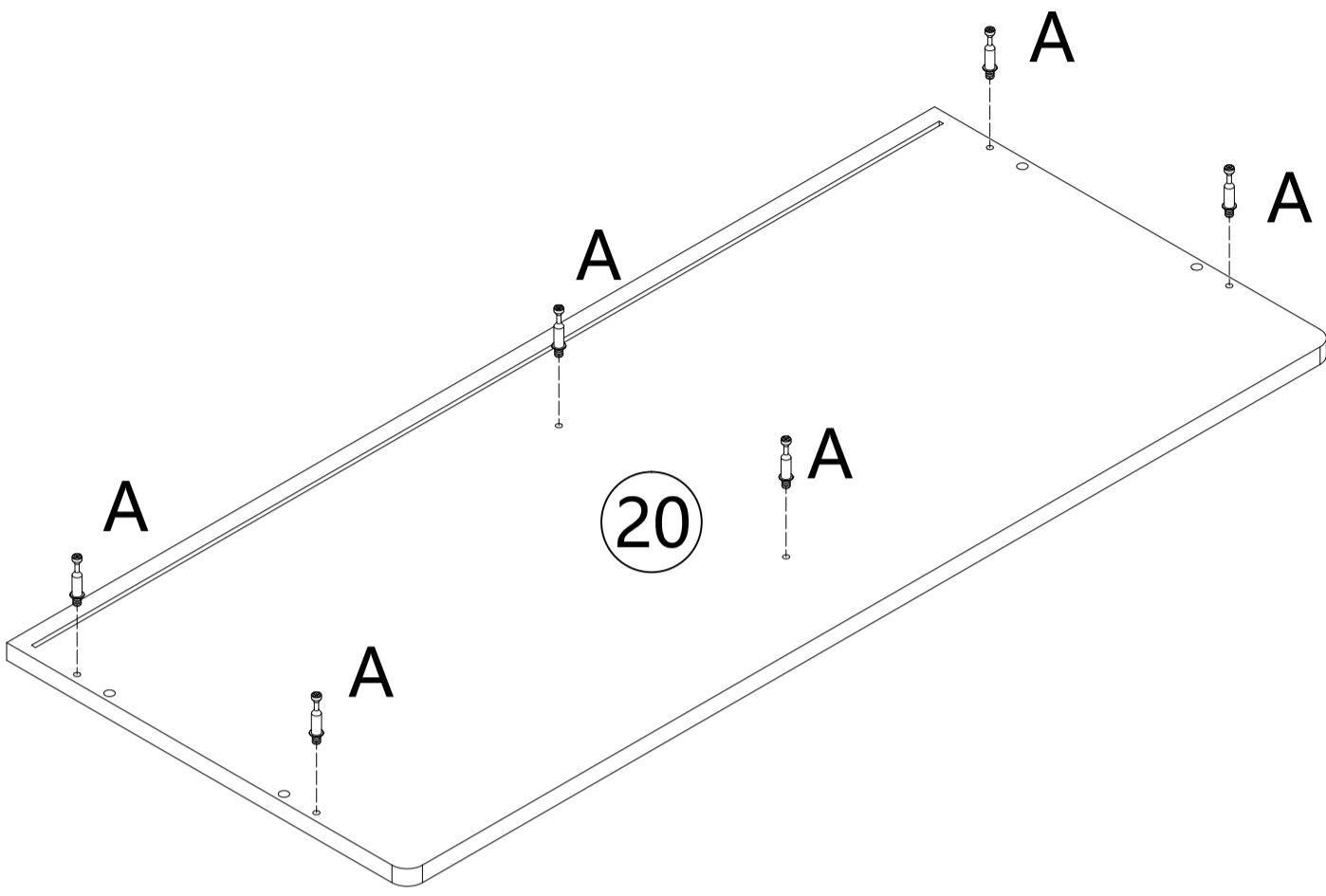
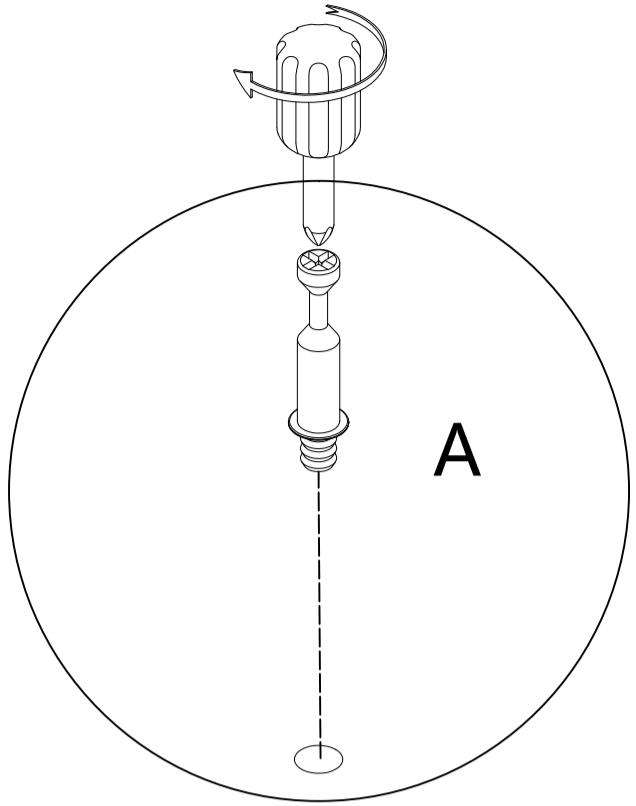
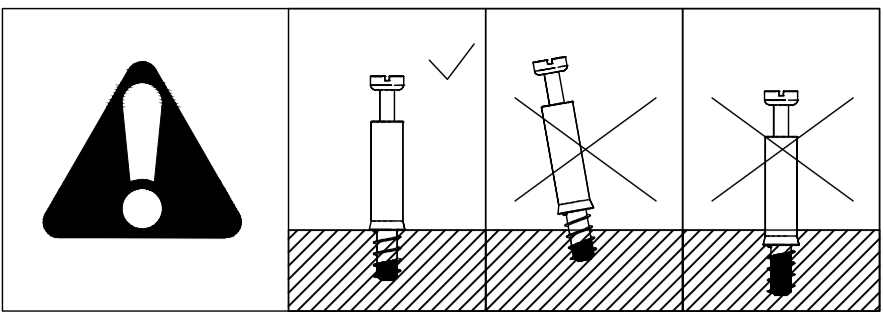
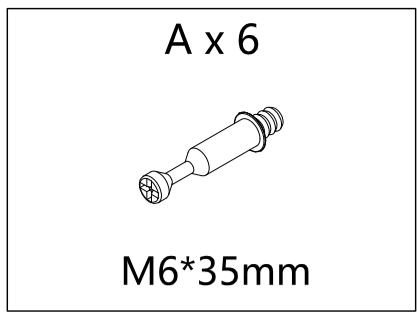


STEP 18

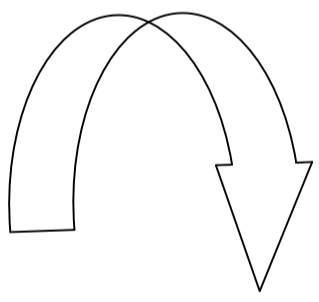
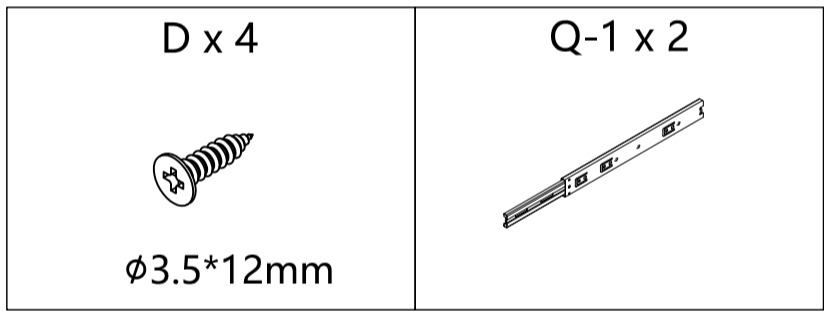
D x 4  φ3.5*12mm	Q-1 x 2 
---	--



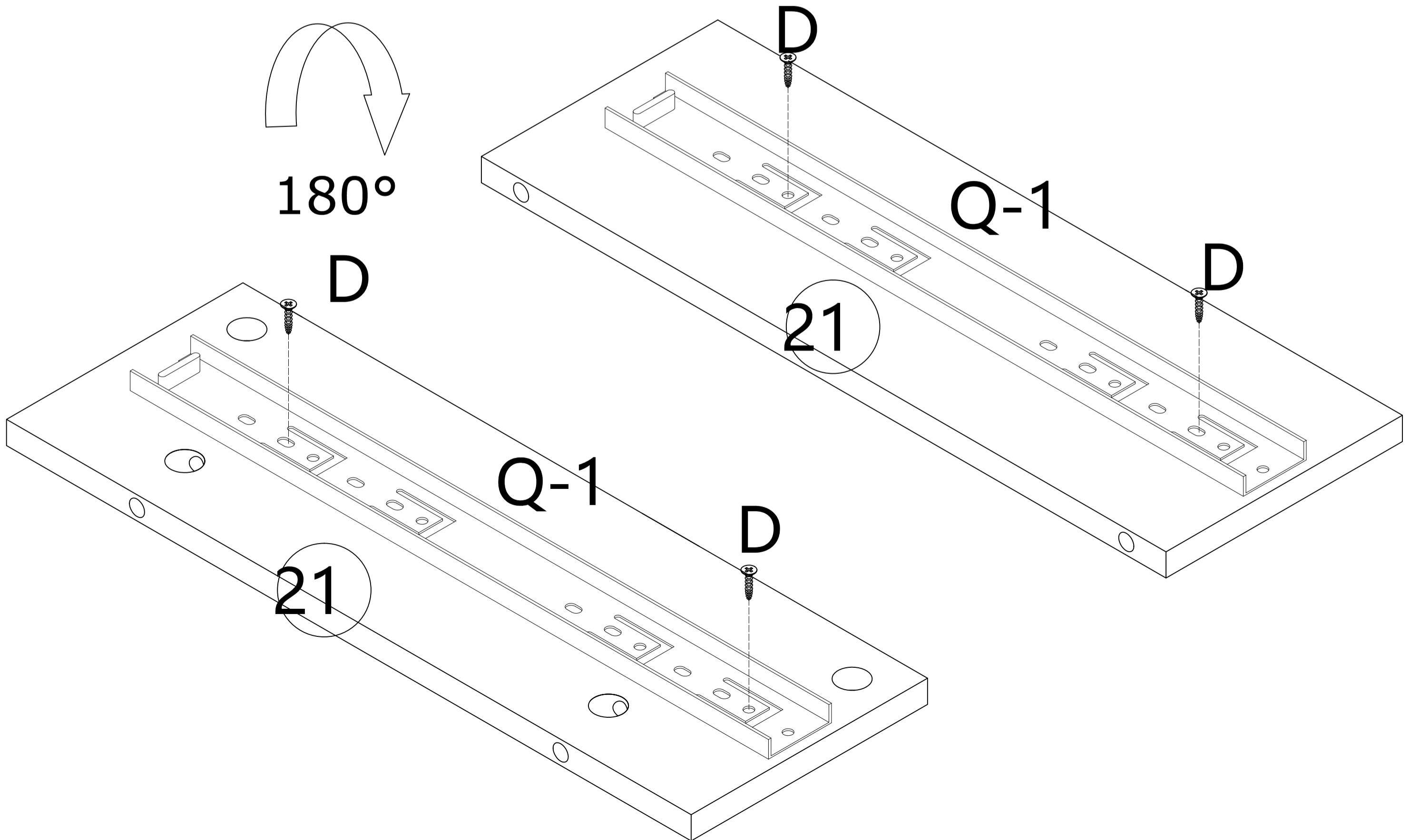
STEP 19



STEP 20

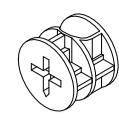


180°



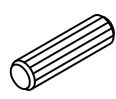
STEP 21

B x 6

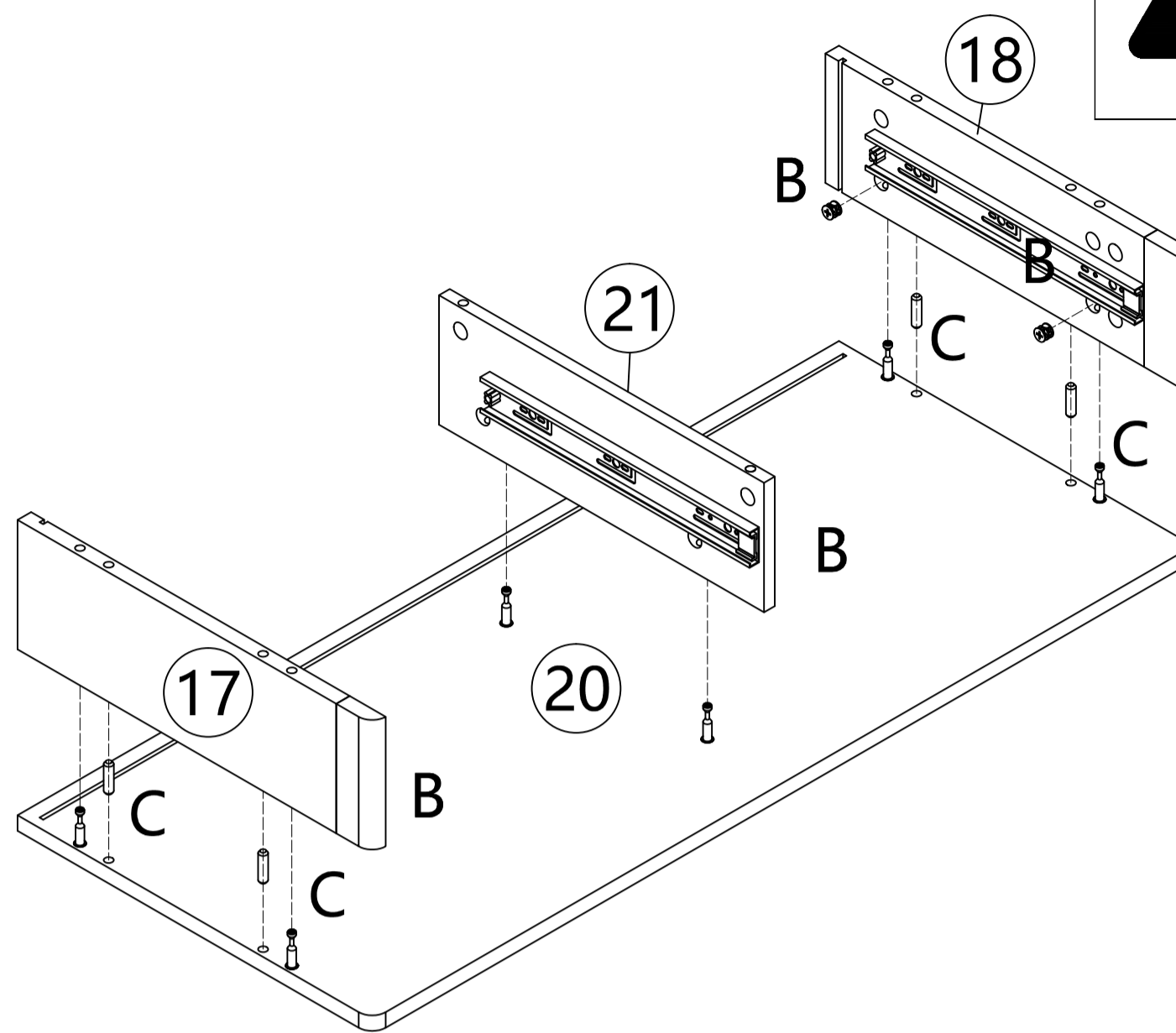
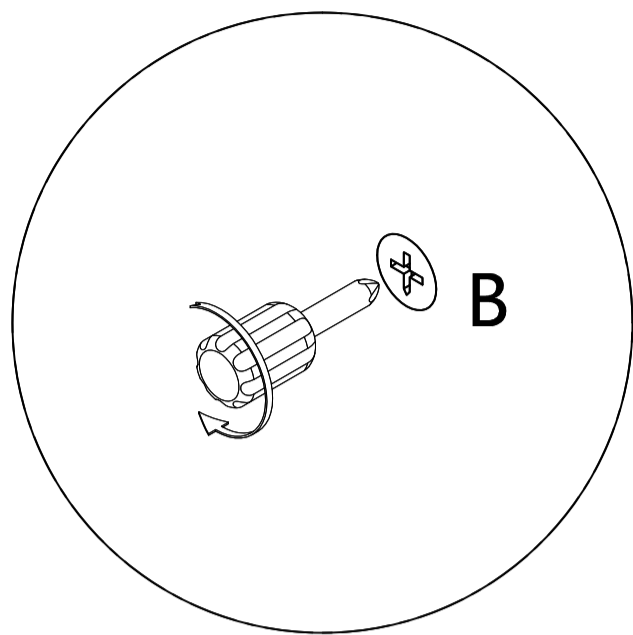
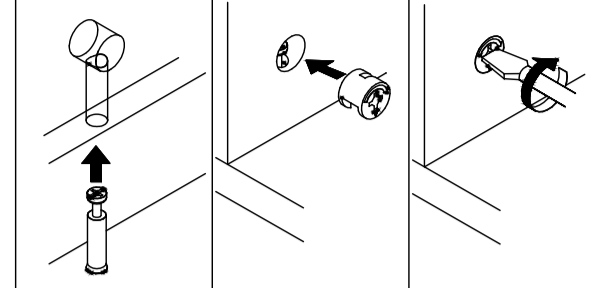
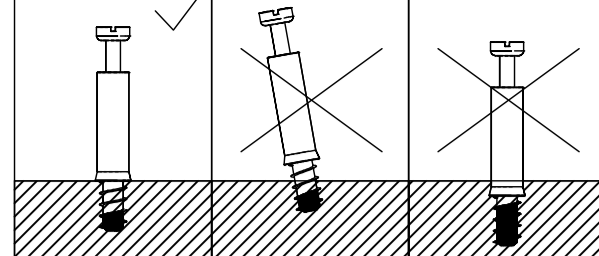


φ15*10mm

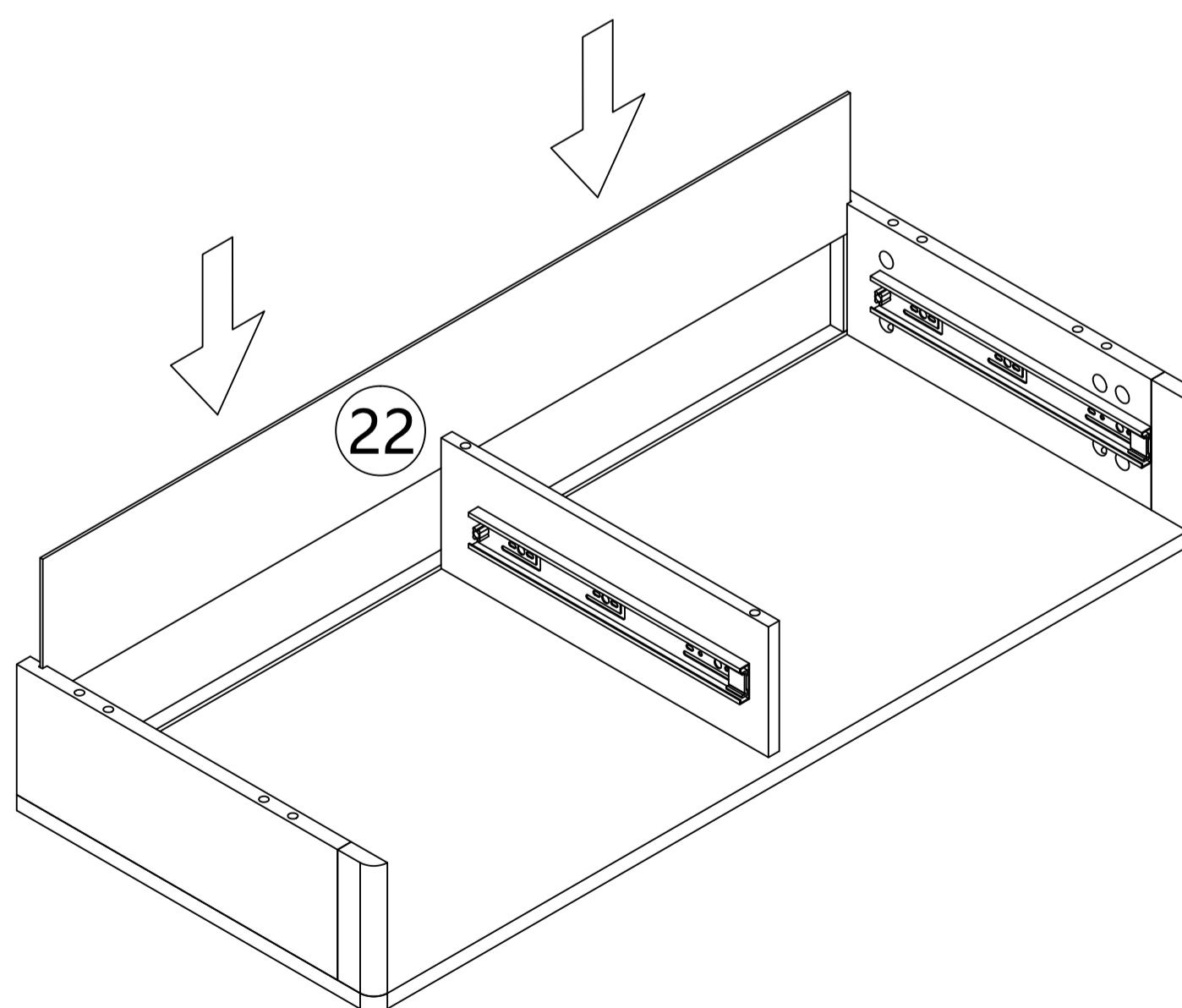
C x 4



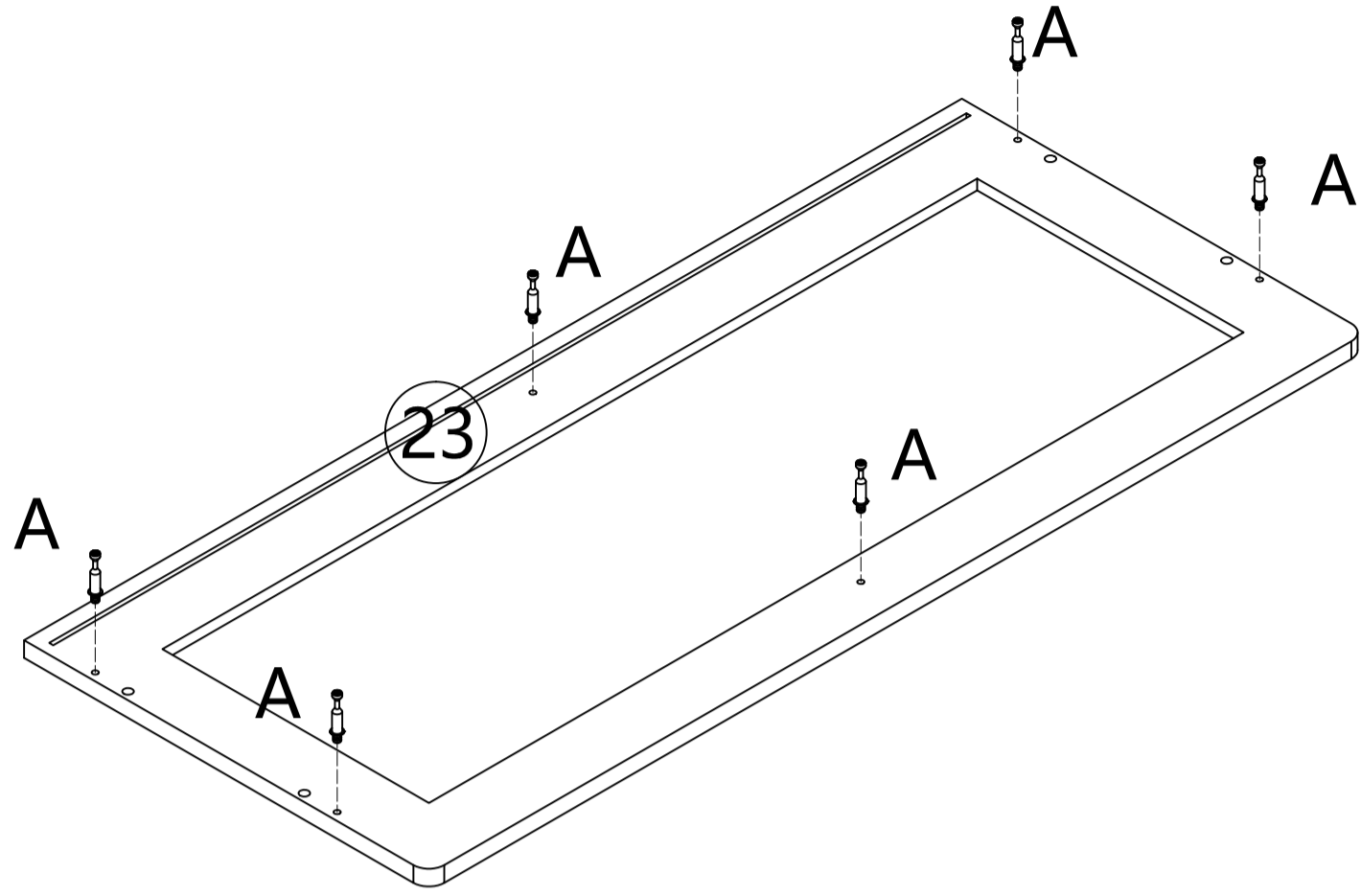
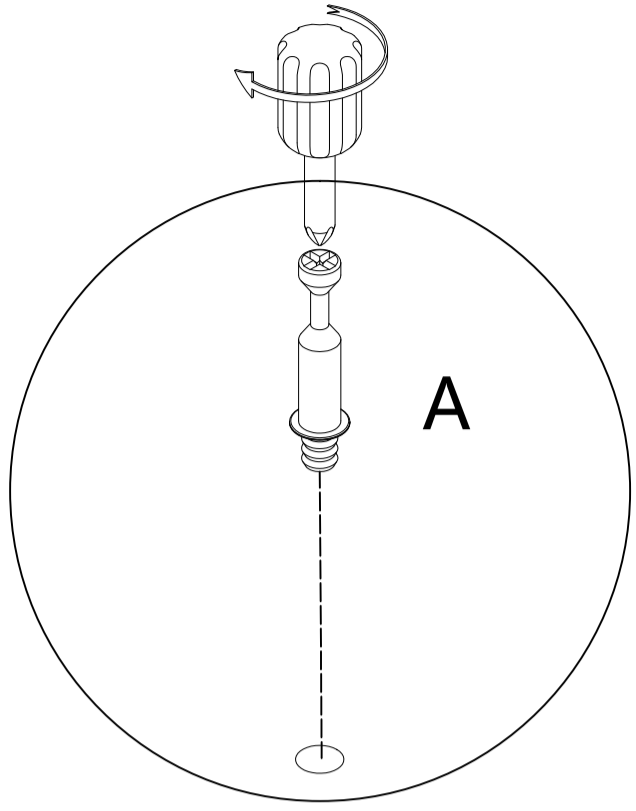
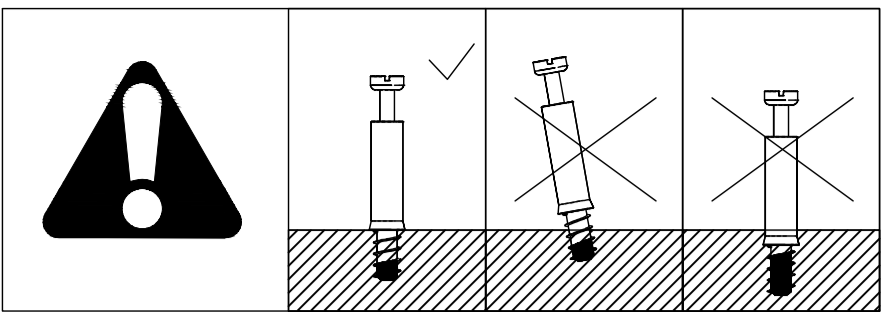
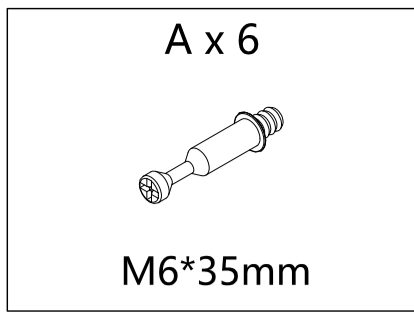
φ6*30mm



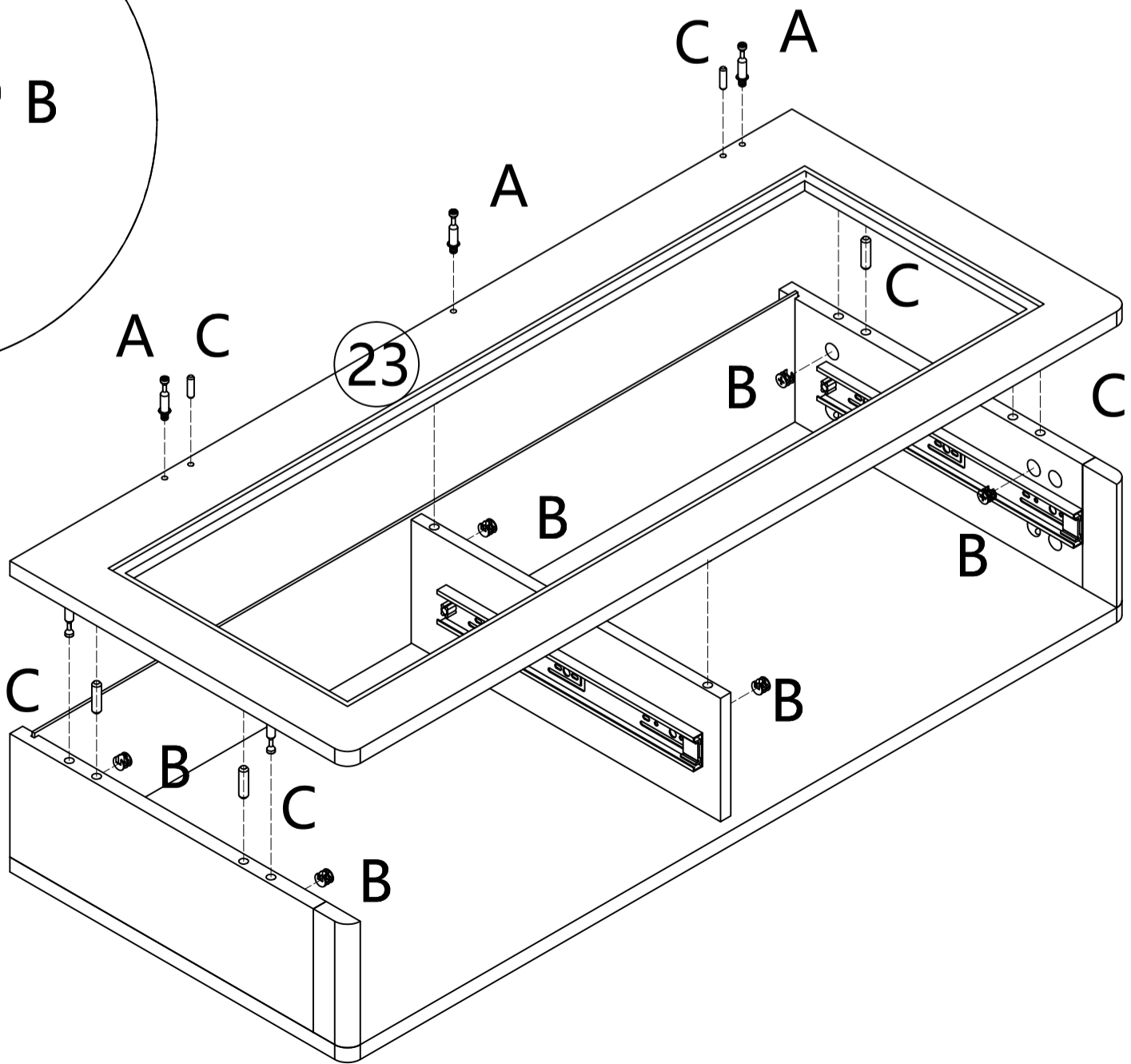
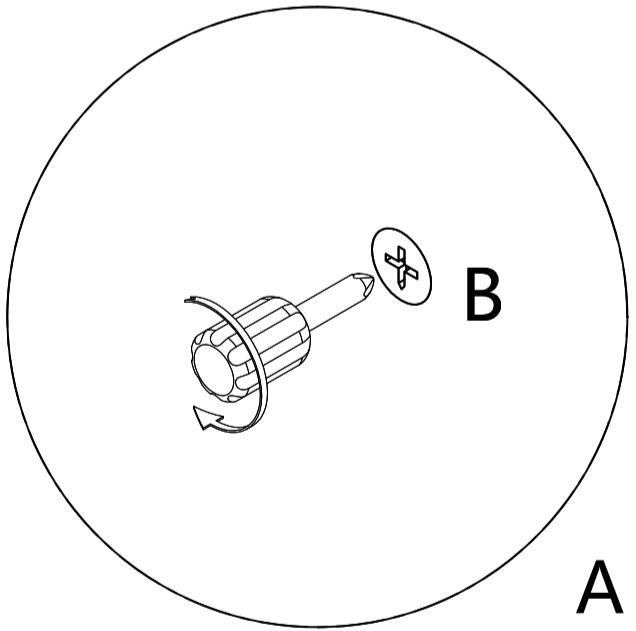
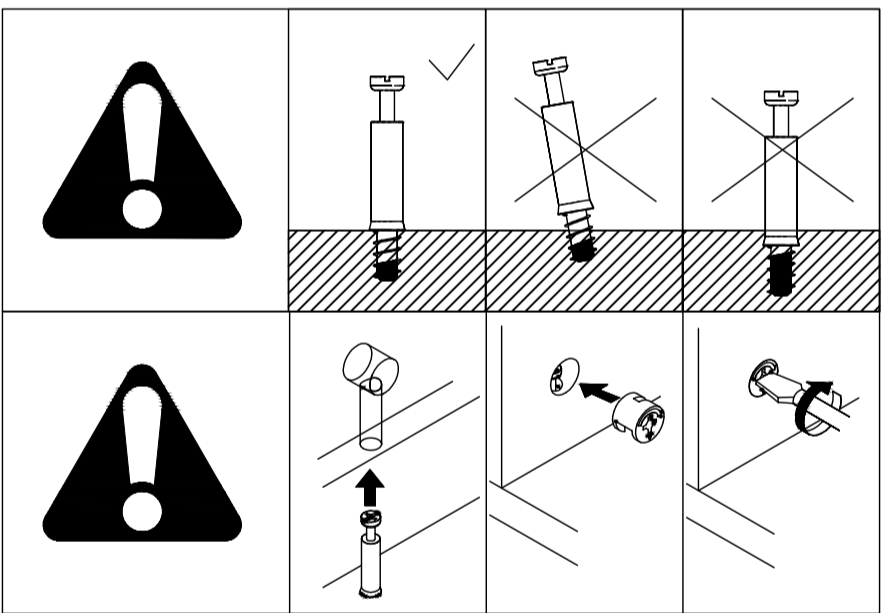
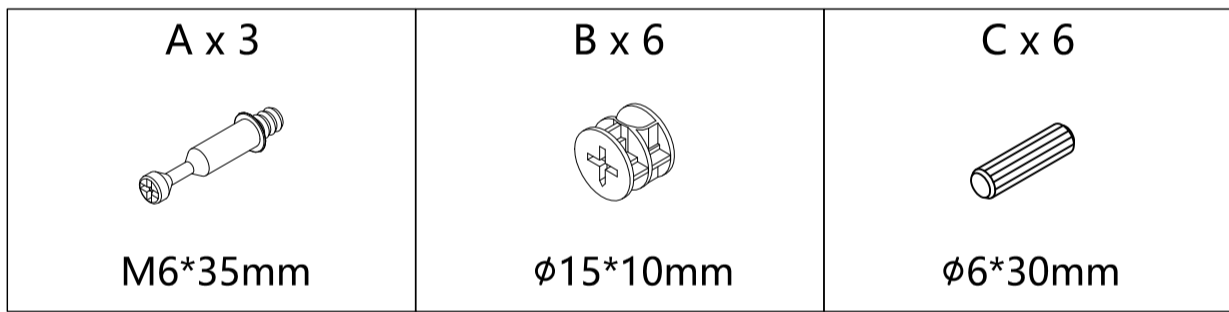
STEP 22



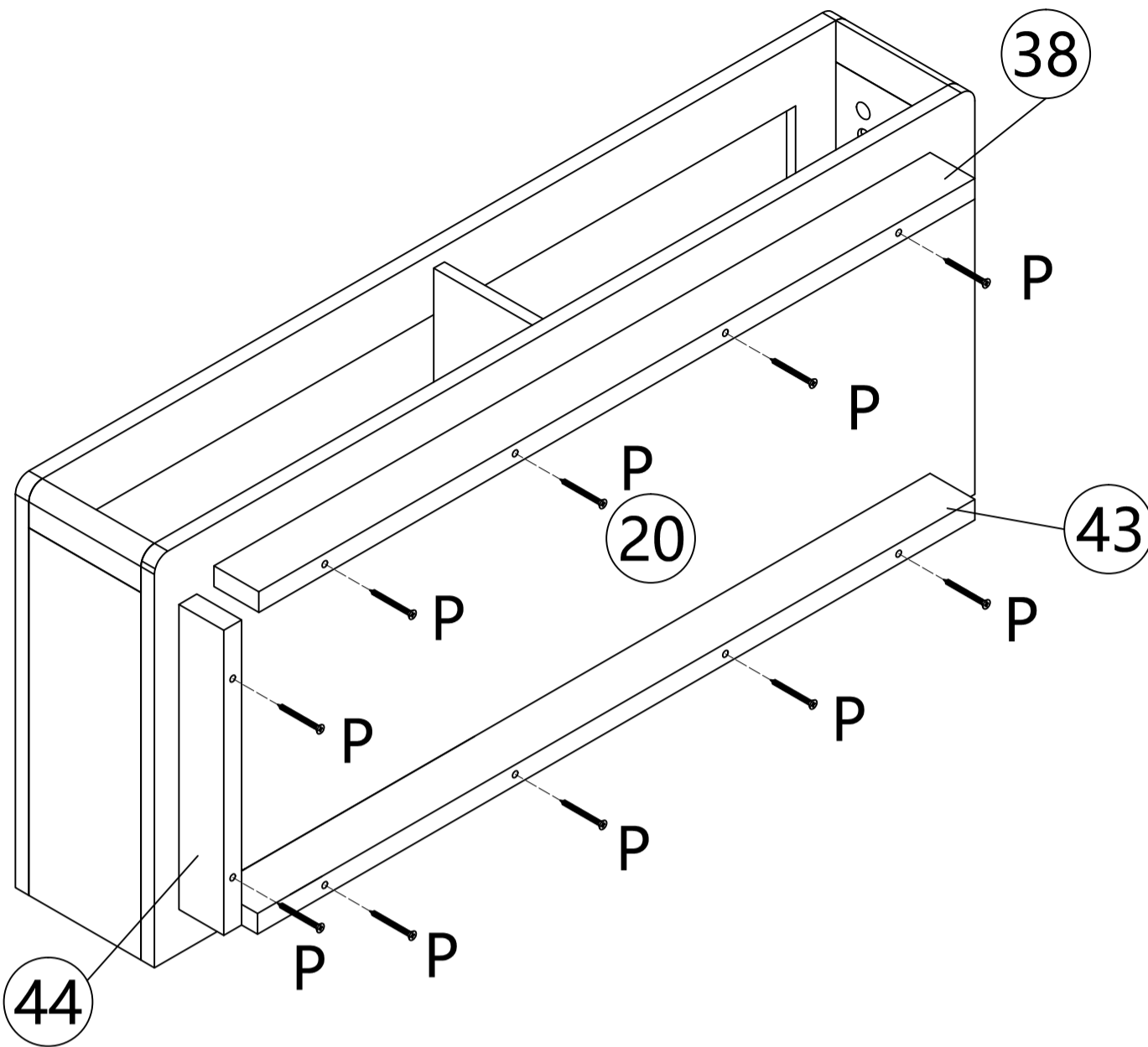
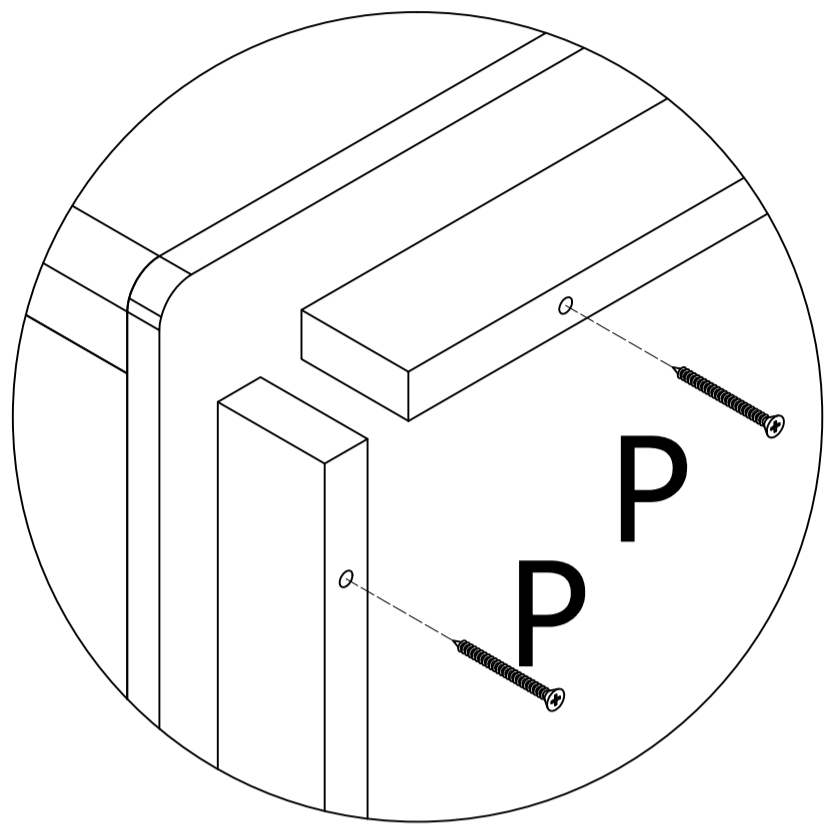
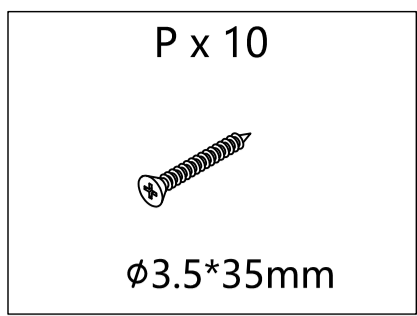
STEP 23



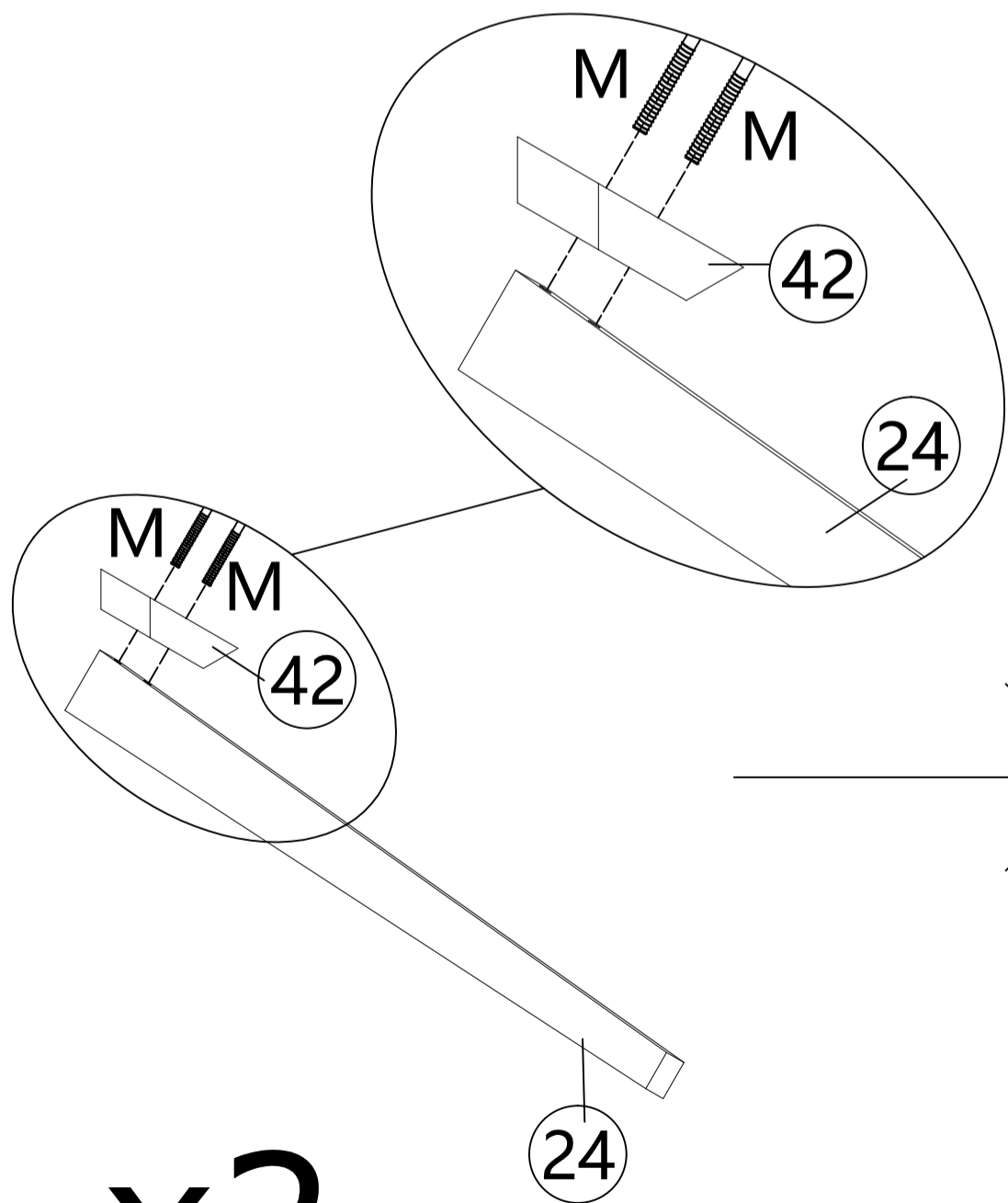
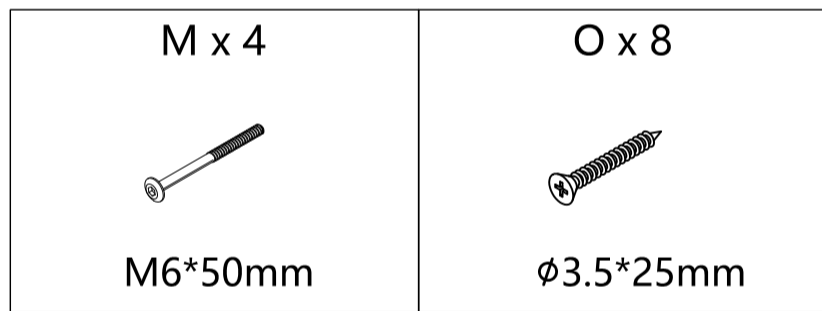
STEP 24



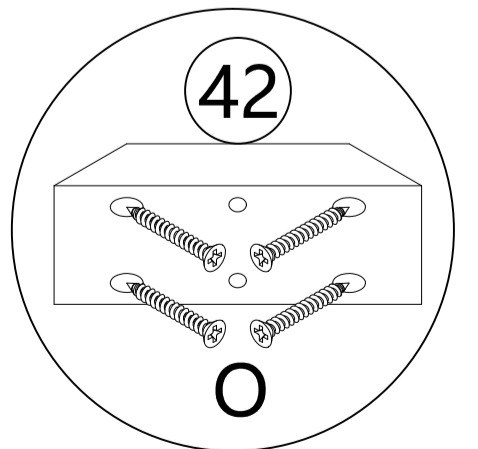
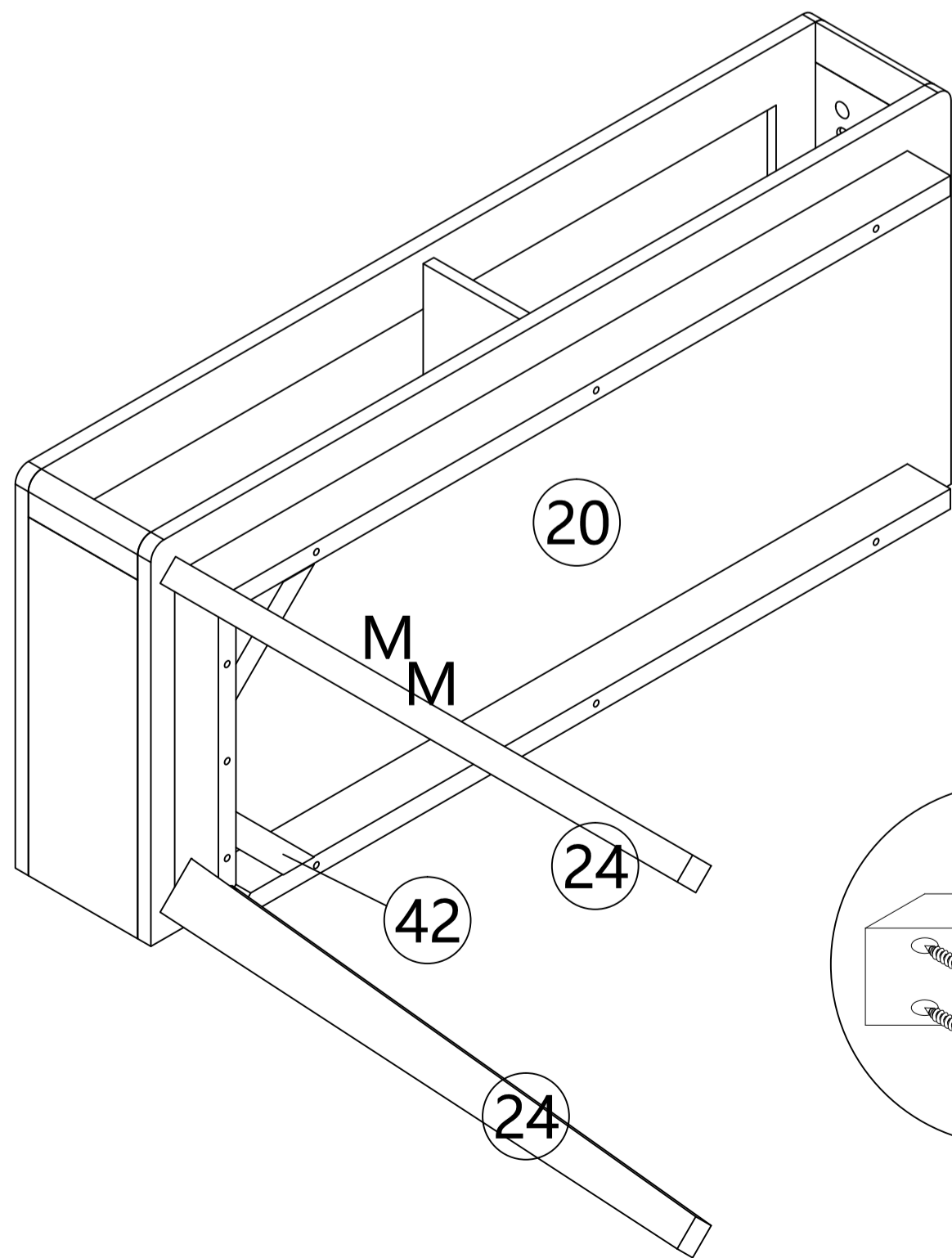
STEP 25



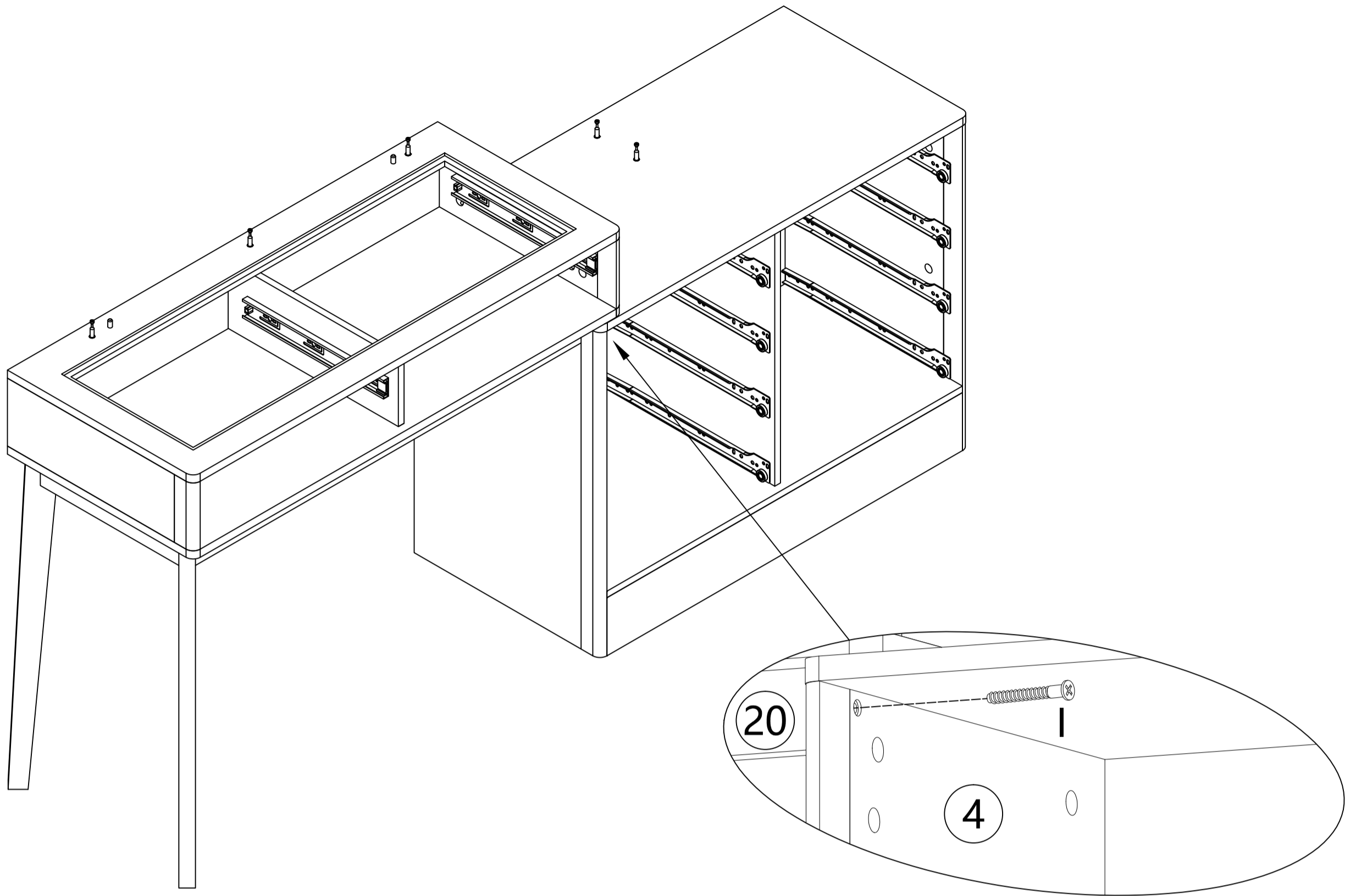
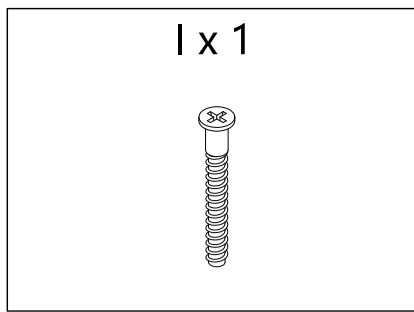
STEP 26



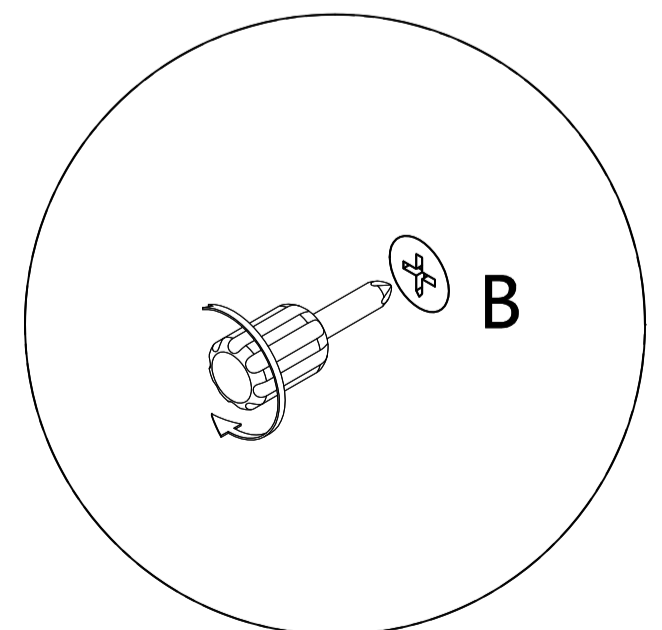
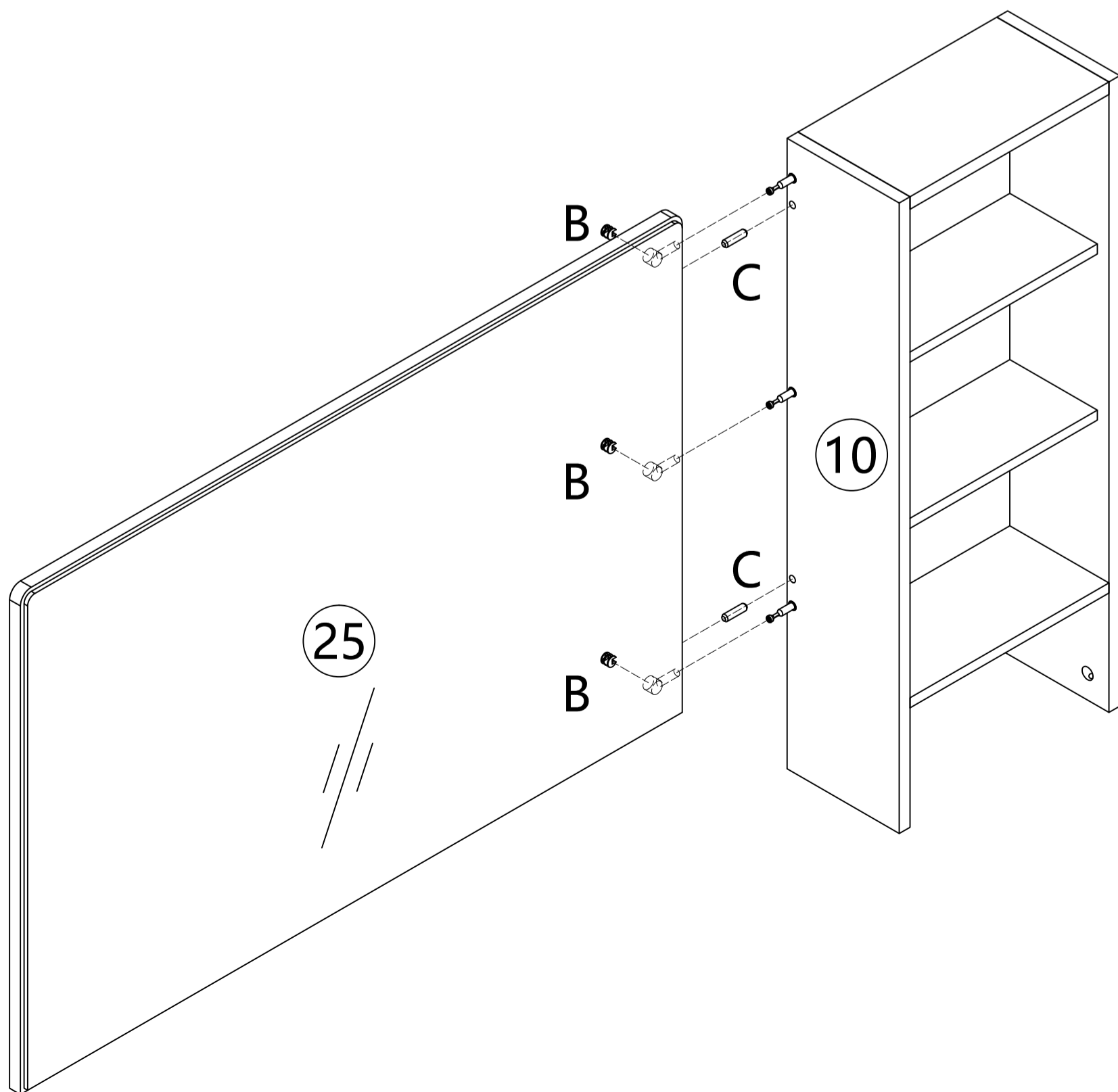
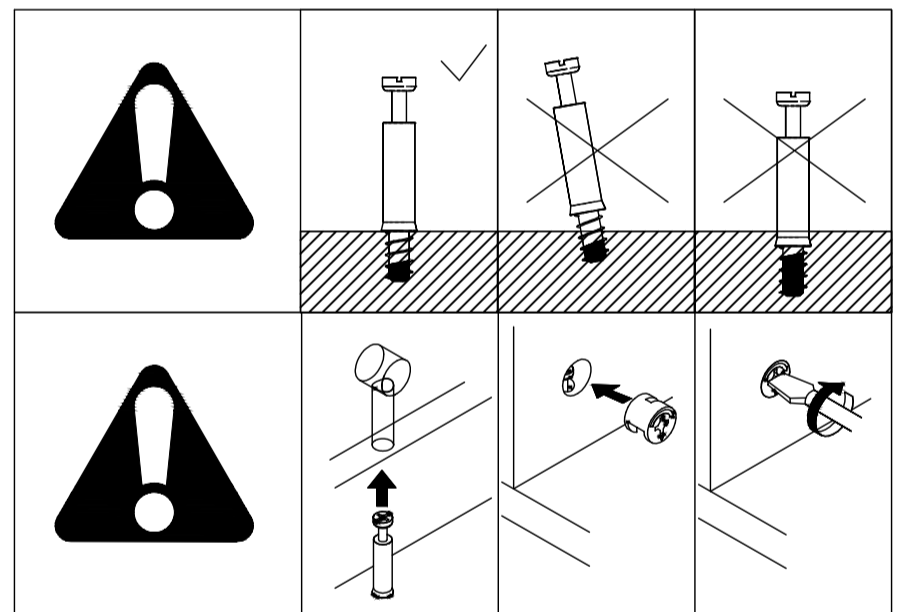
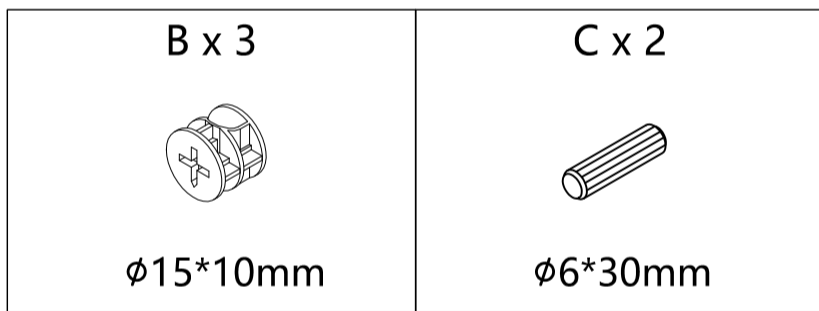
x2



STEP 27

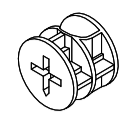


STEP 28

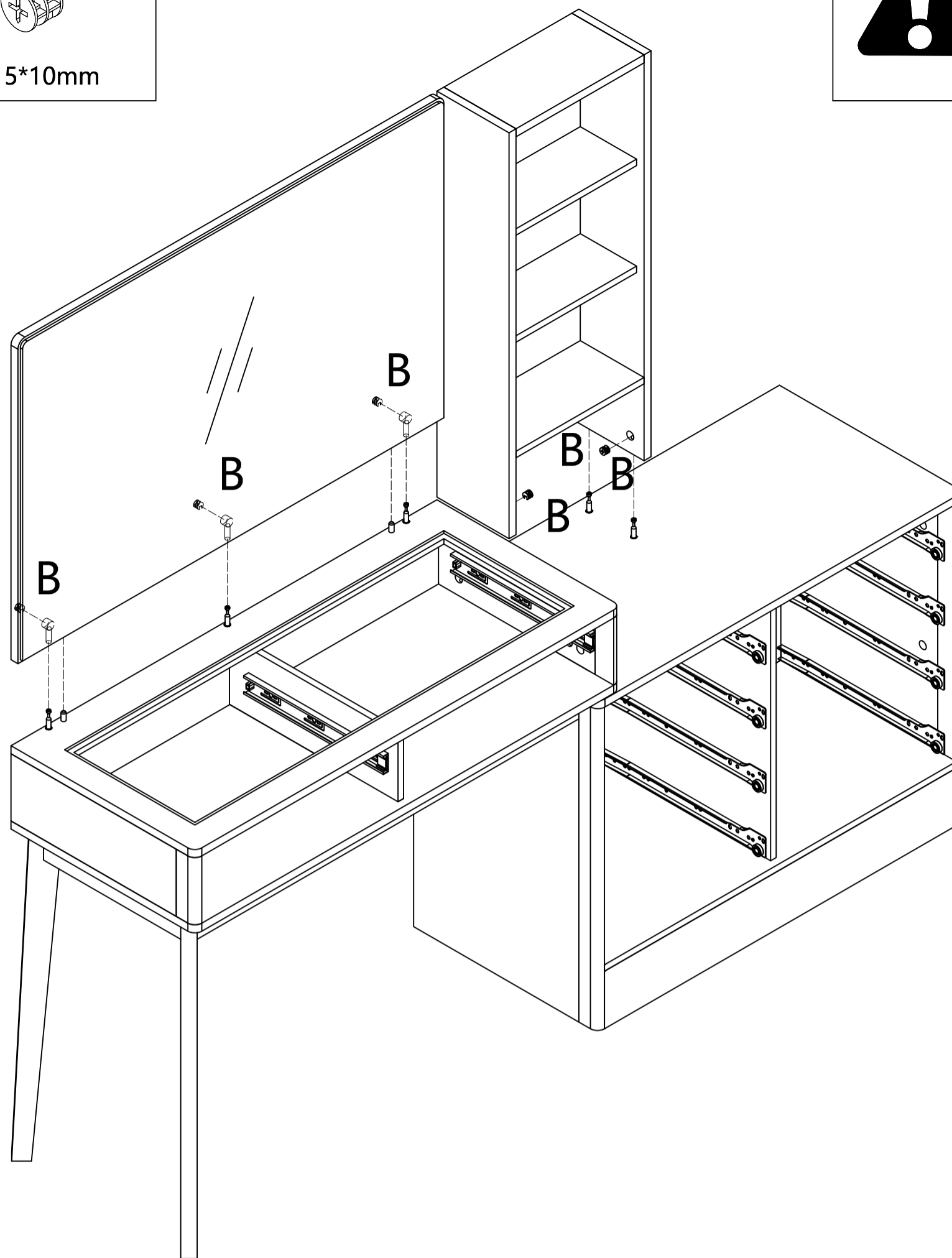
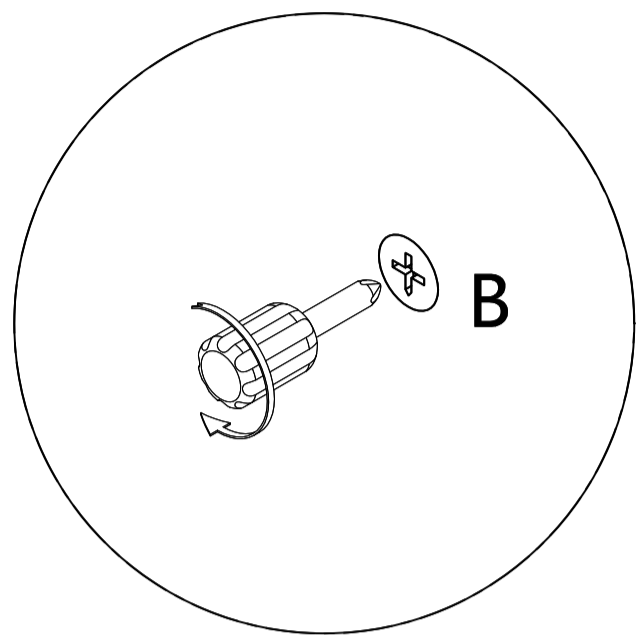
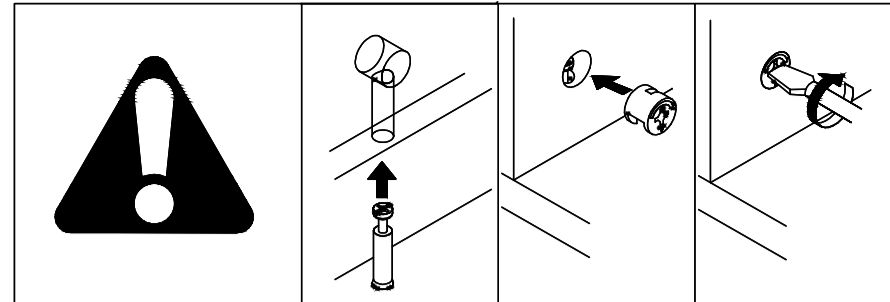


STEP 29

B x 7



φ15*10mm



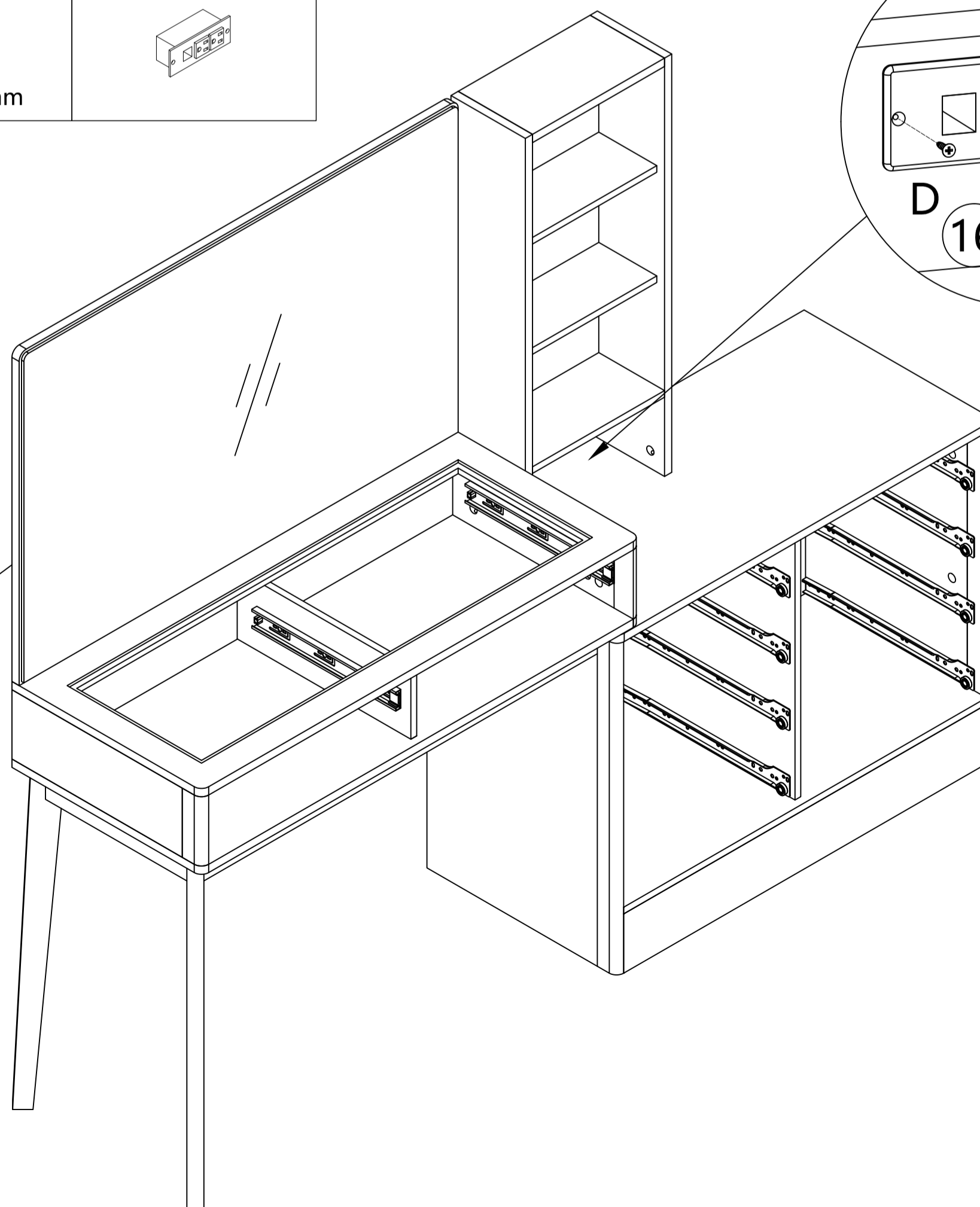
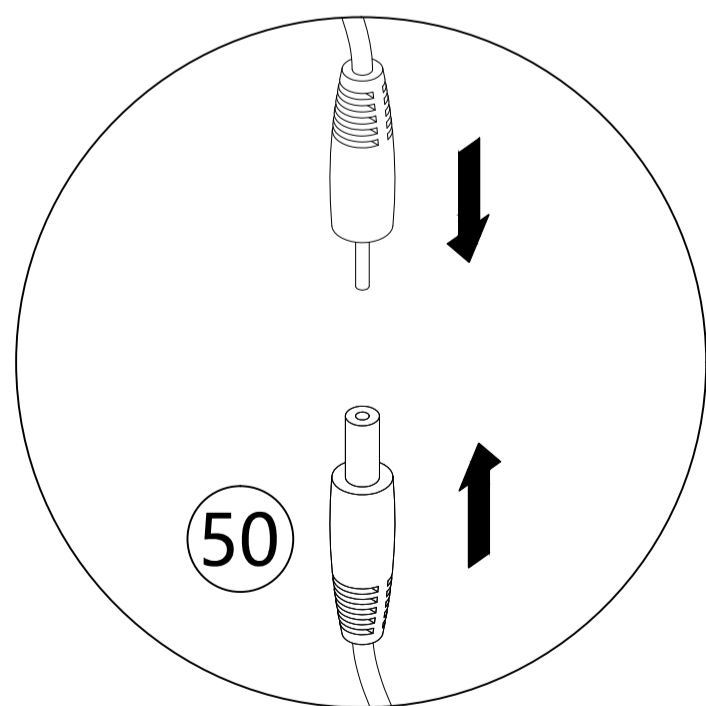
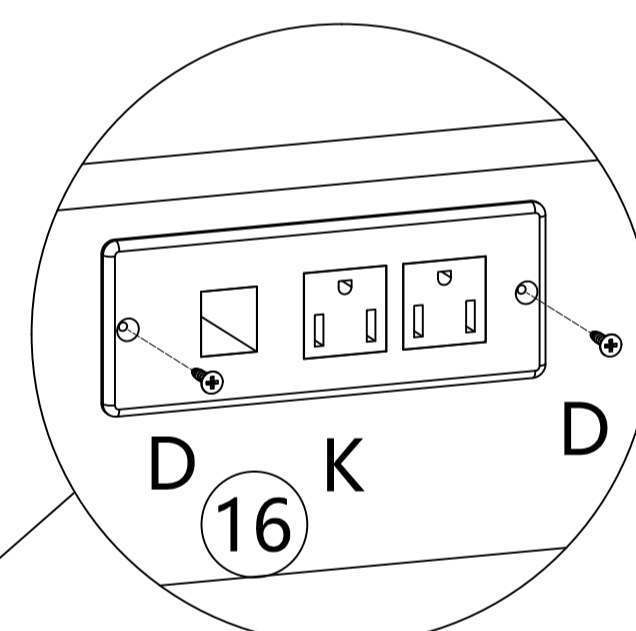
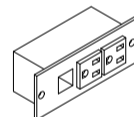
STEP 30

D x 2

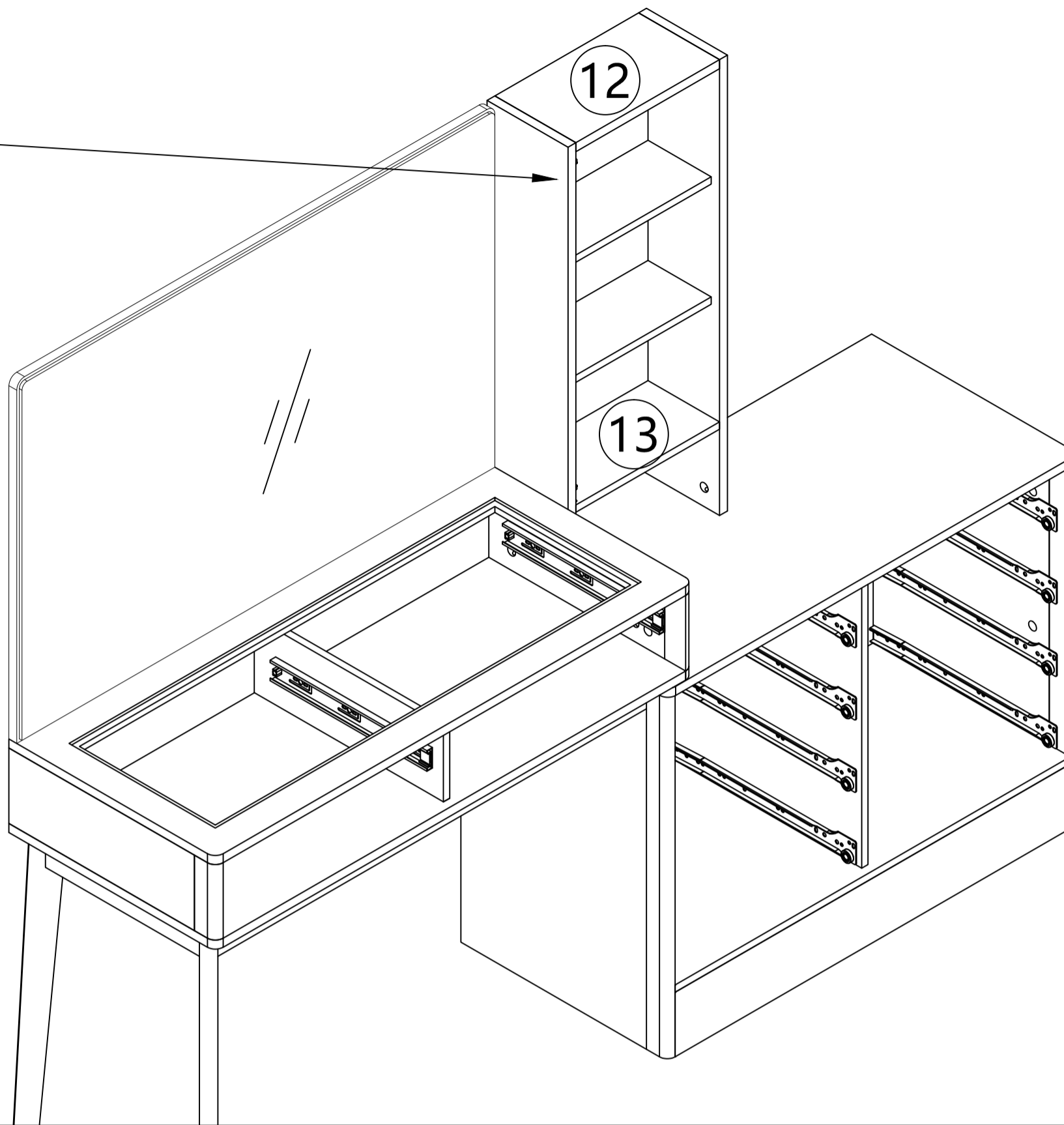
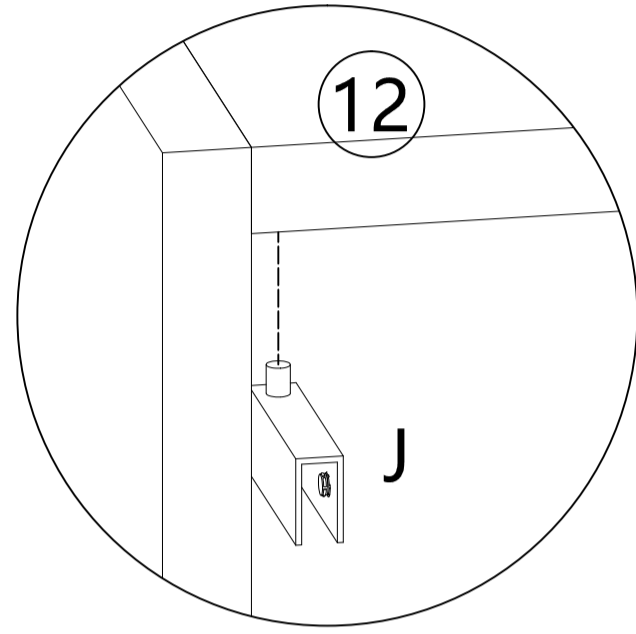
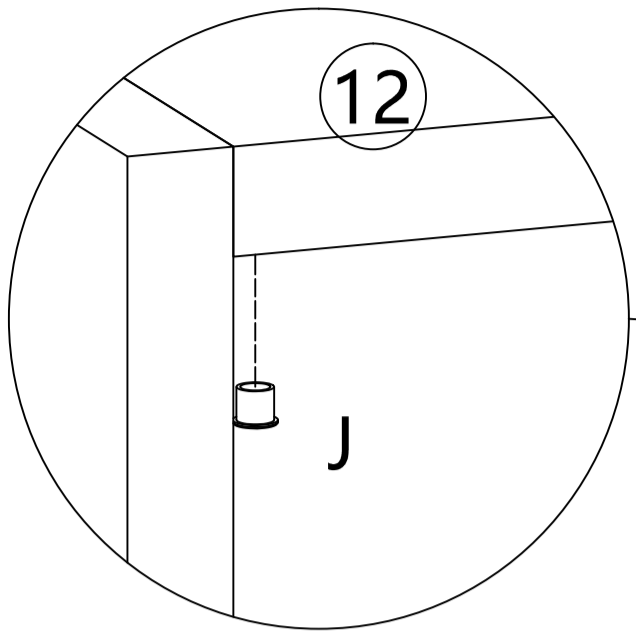
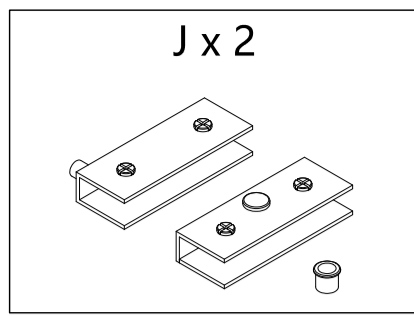


φ3.5*12mm

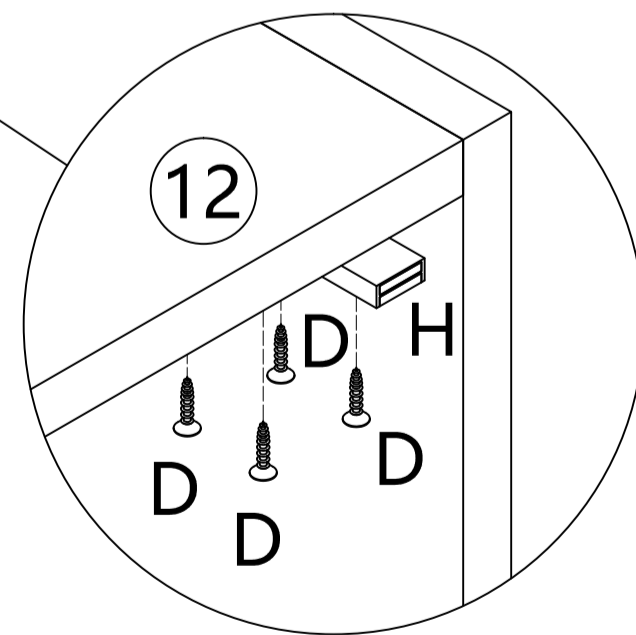
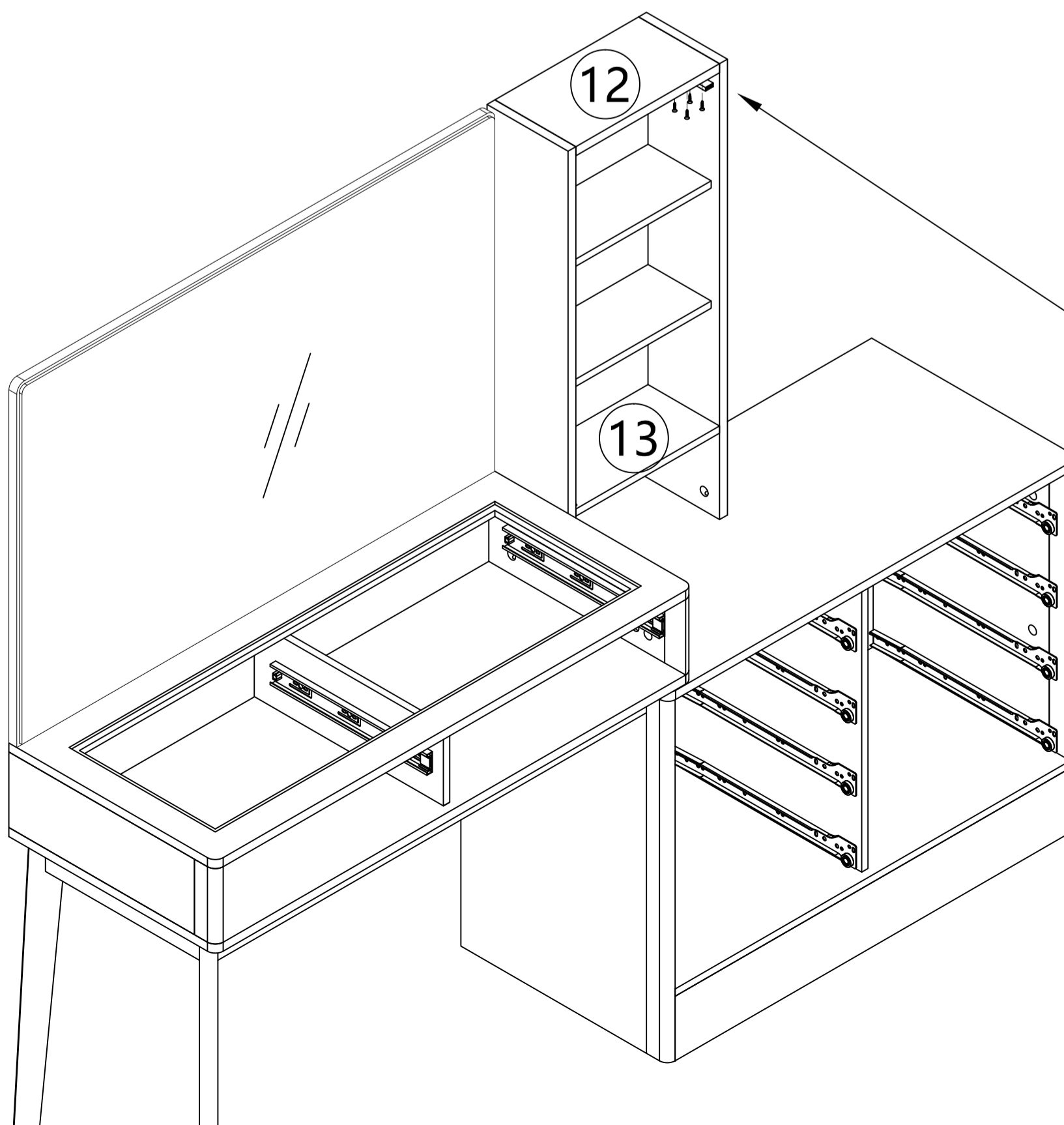
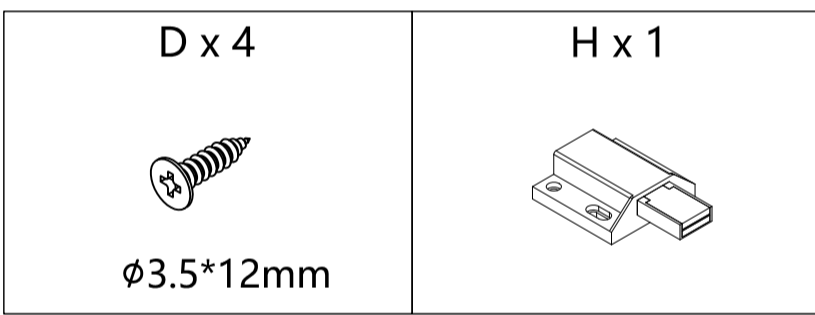
K x 1



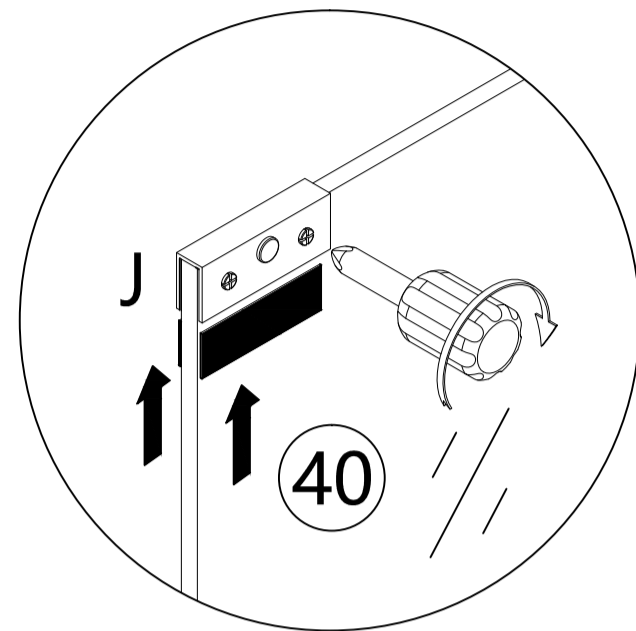
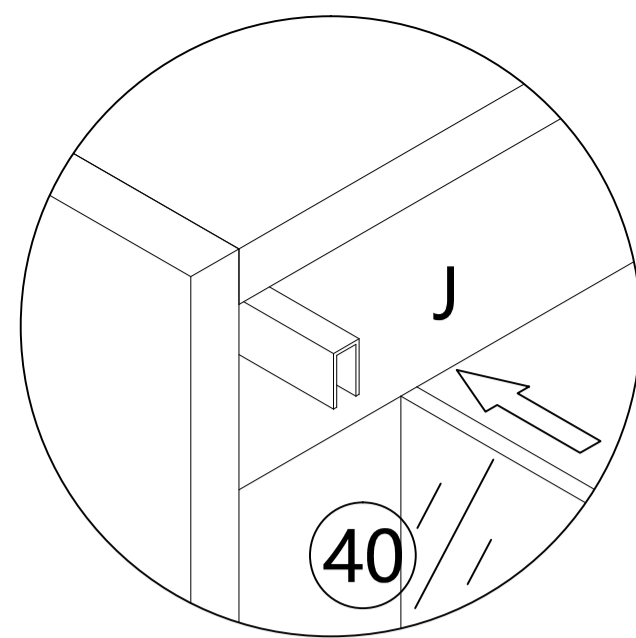
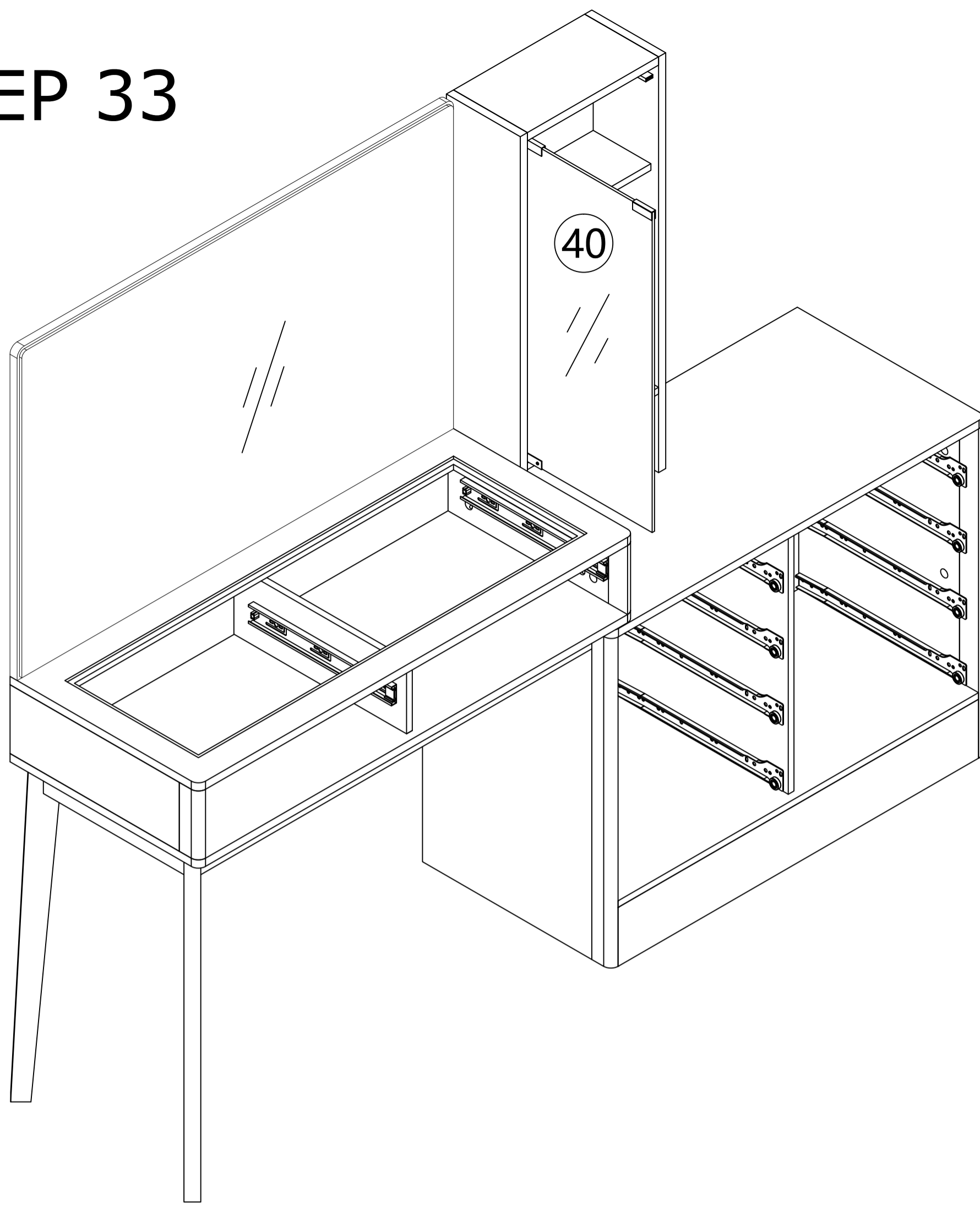
STEP 31



STEP 32

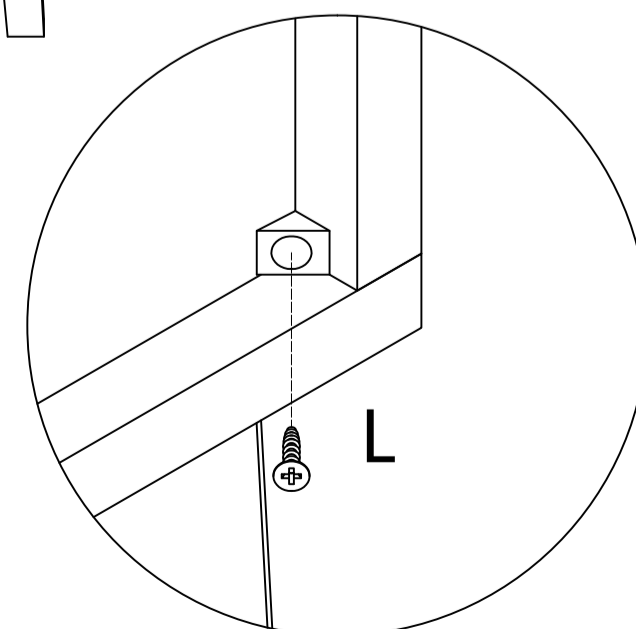
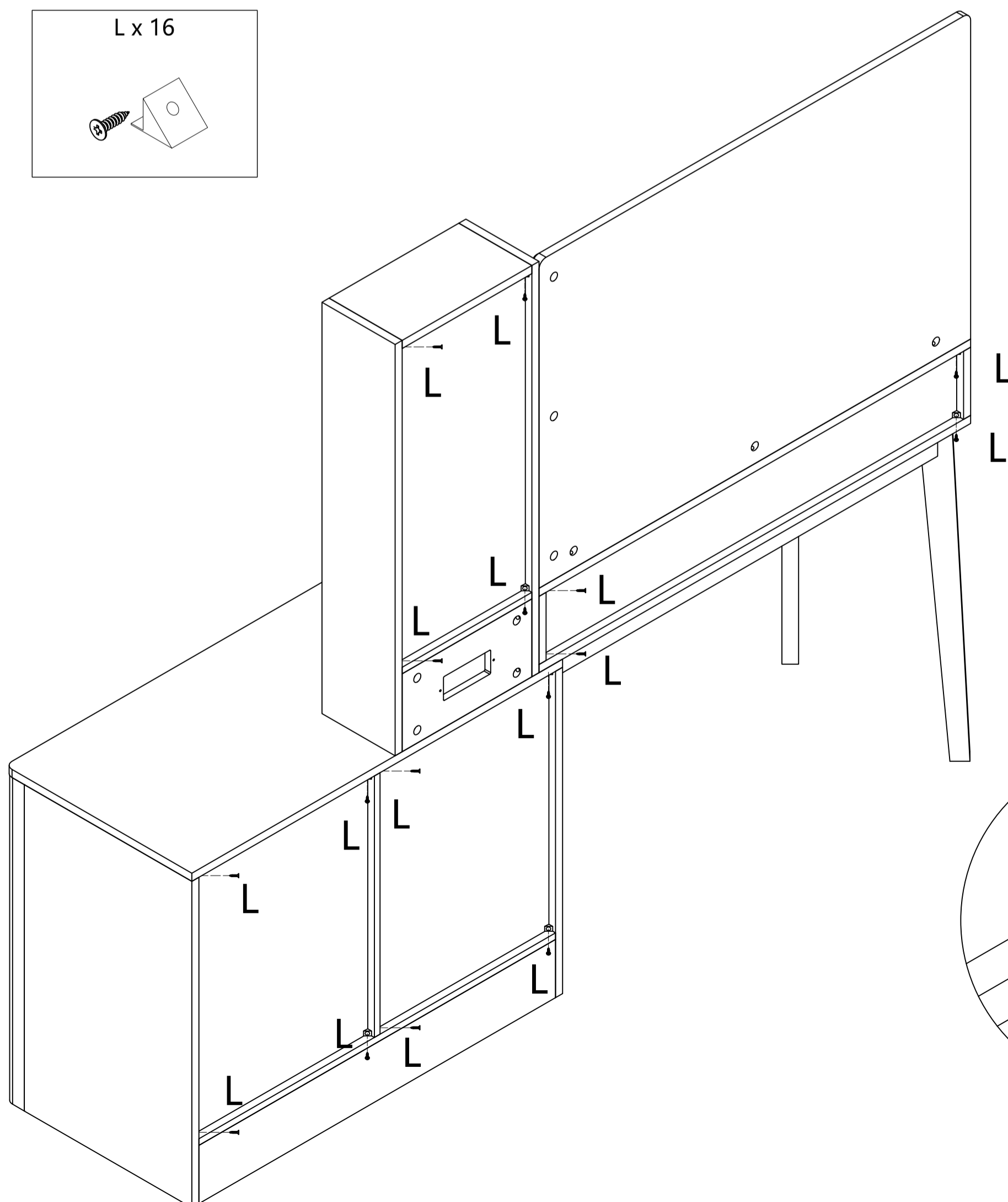
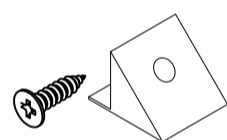


STEP 33

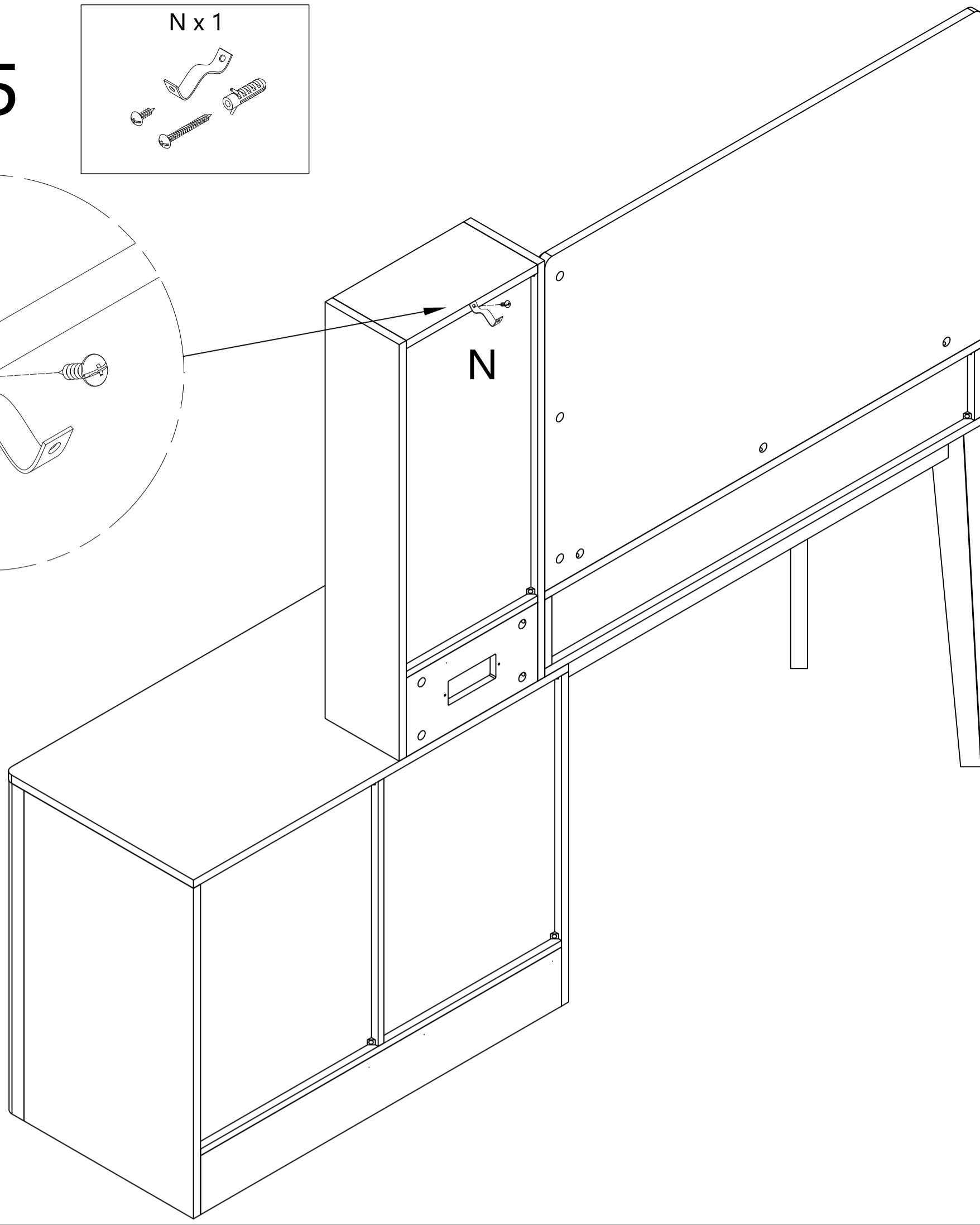
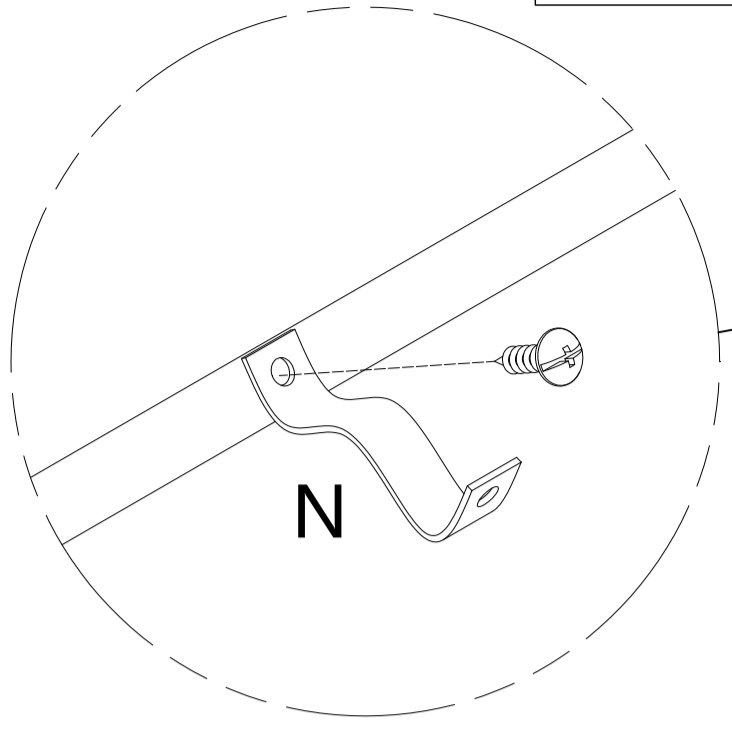
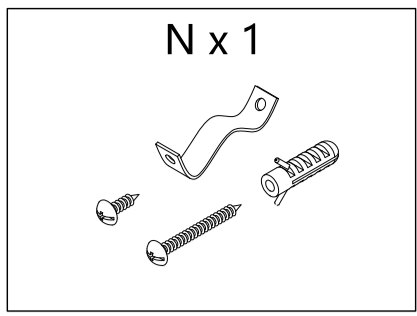


STEP 34

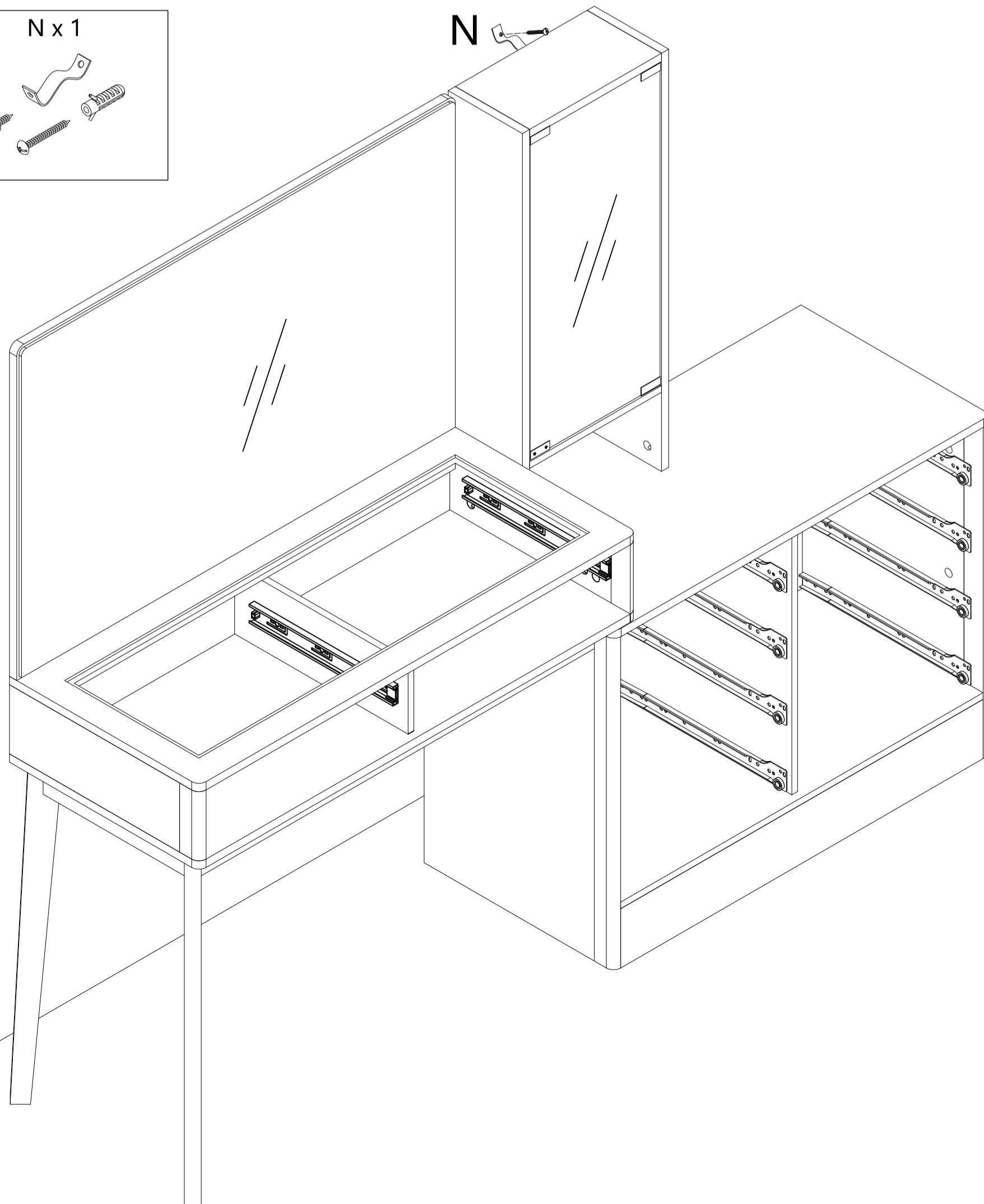
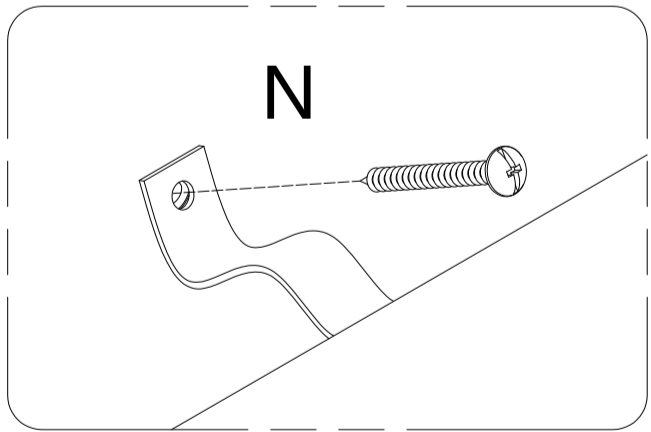
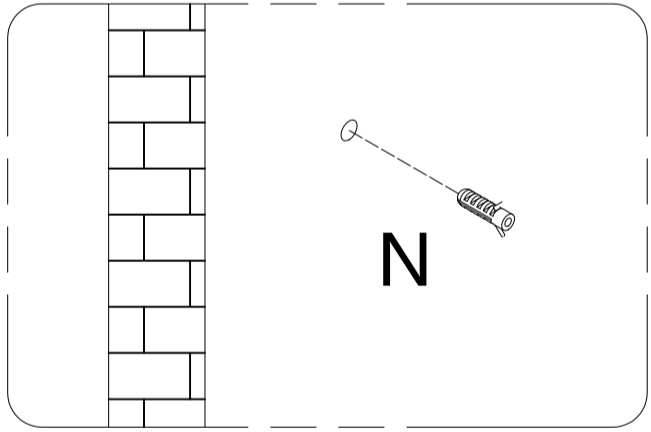
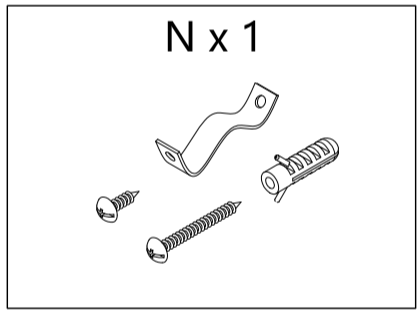
L x 16



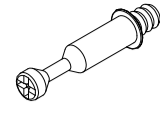
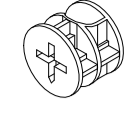


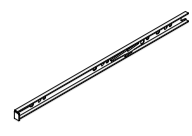
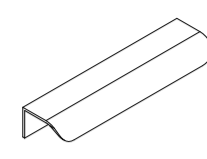
STEP 35

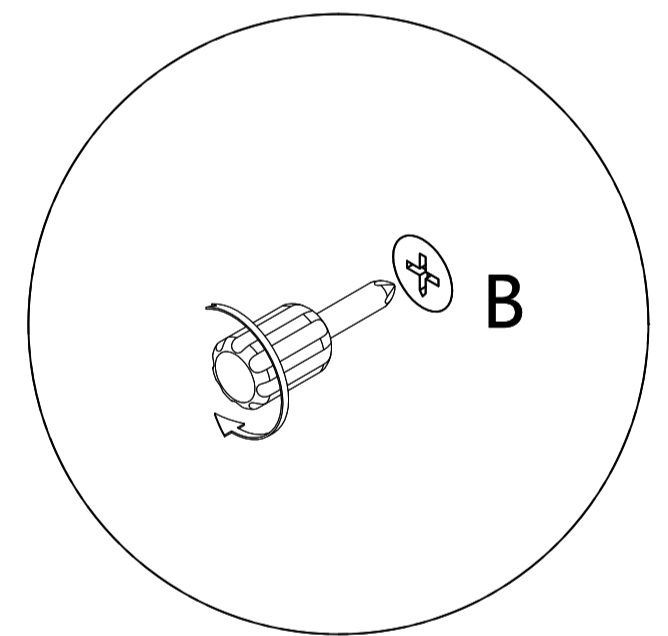
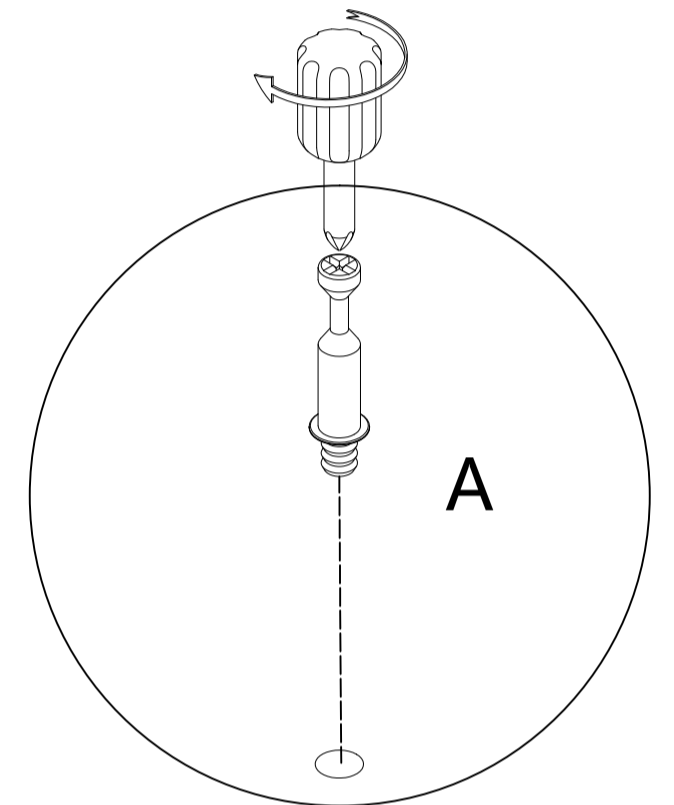
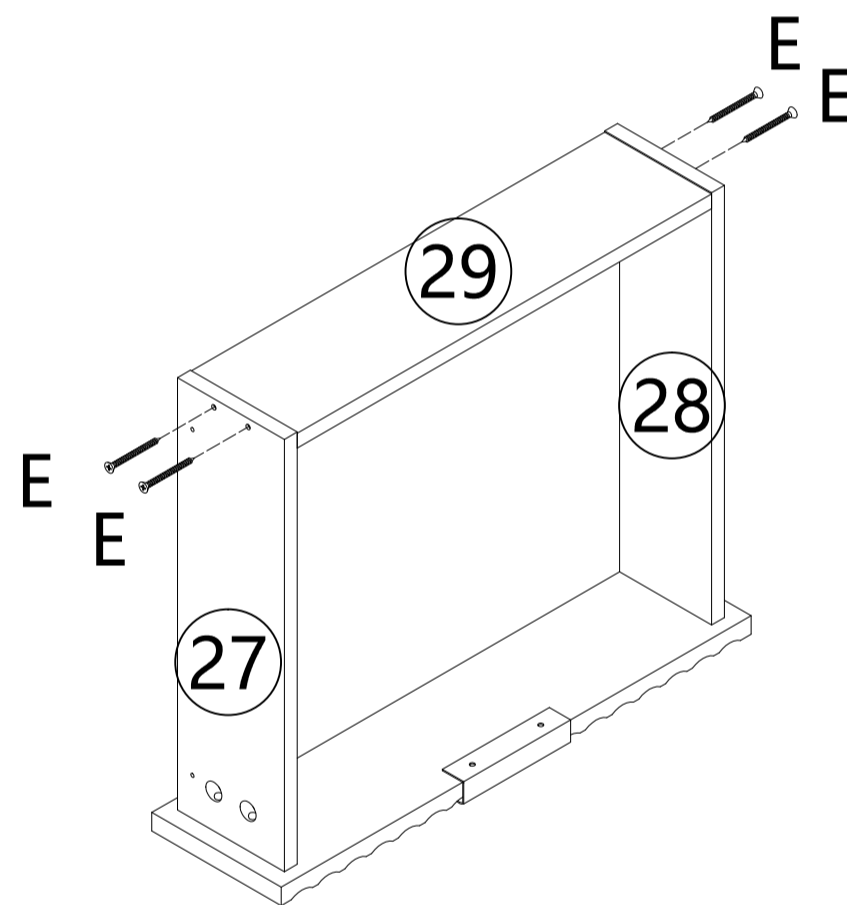
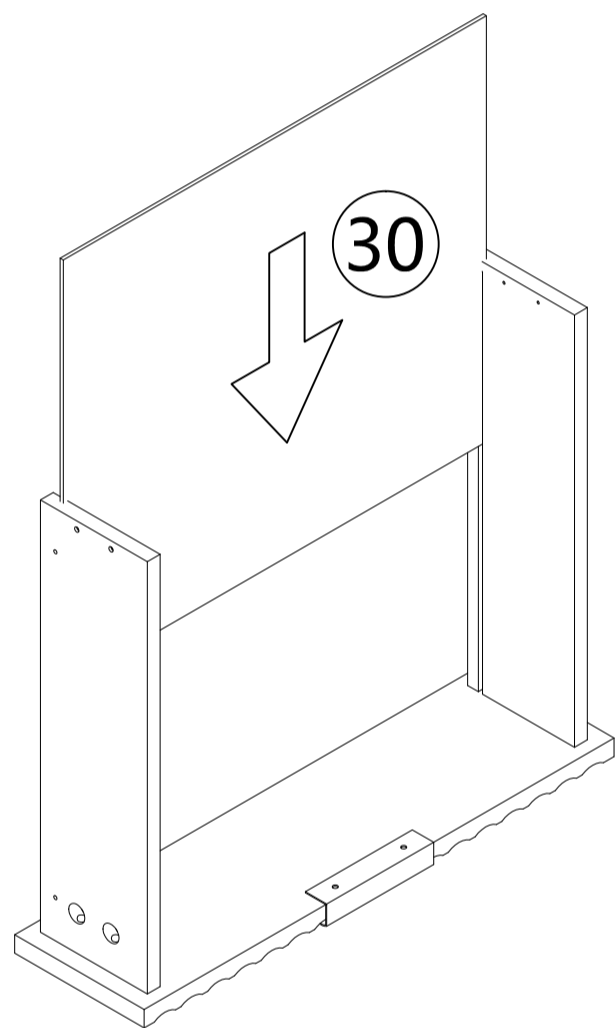
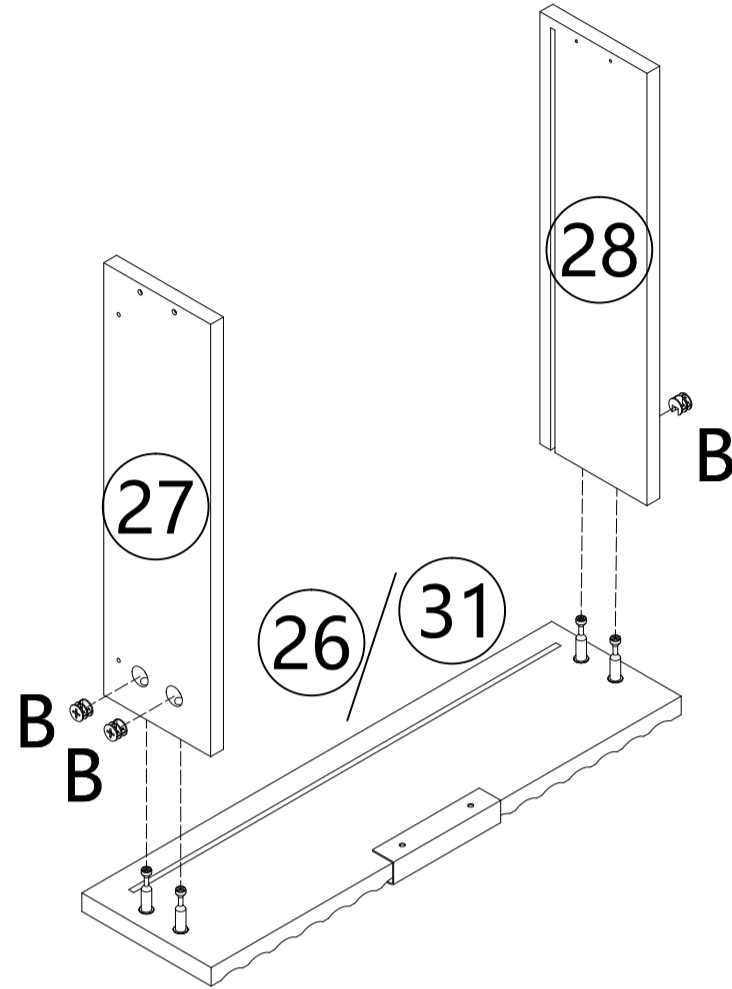
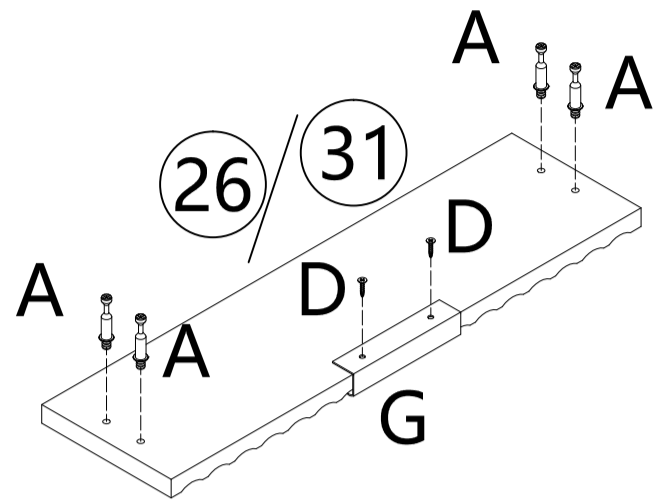
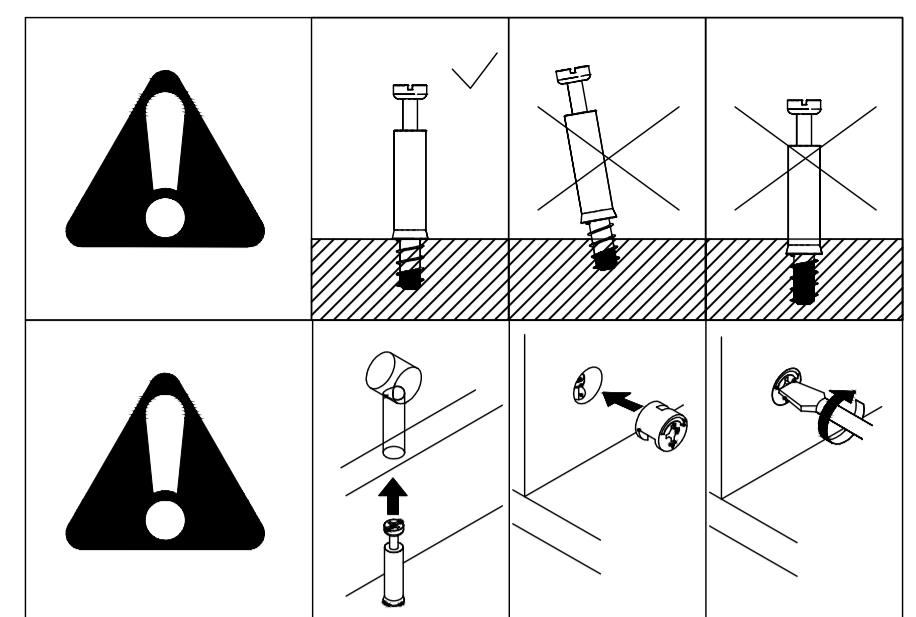


STEP 36

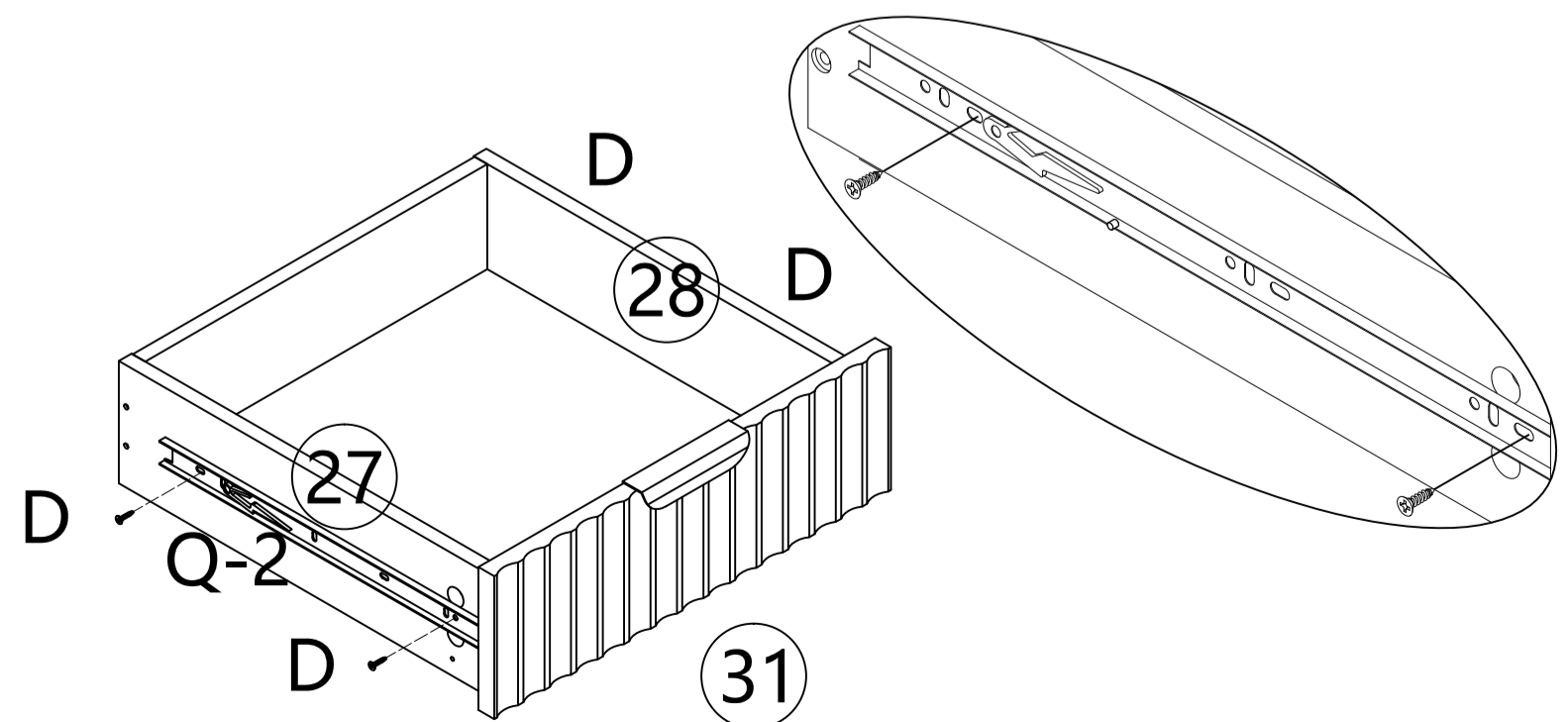
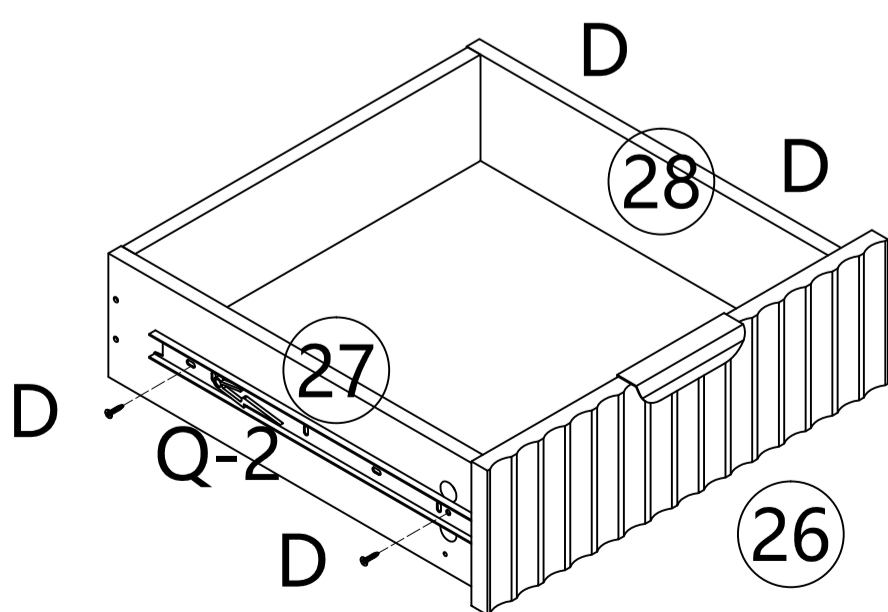


STEP 37

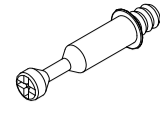
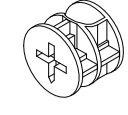


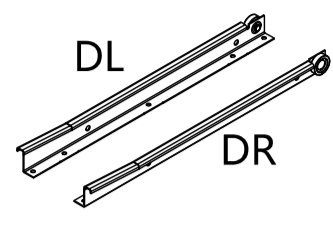
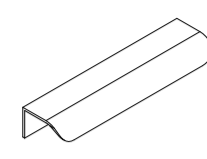
<p>A x 8</p>  <p>M6*35mm</p>	<p>B x 8</p>  <p>φ15*10mm</p>	<p>D x 12</p>  <p>φ3.5*12mm</p>
<p>E x 8</p>  <p>φ3.5*35mm</p>	<p>Q-2 x 4</p> 	<p>G x 2</p> 

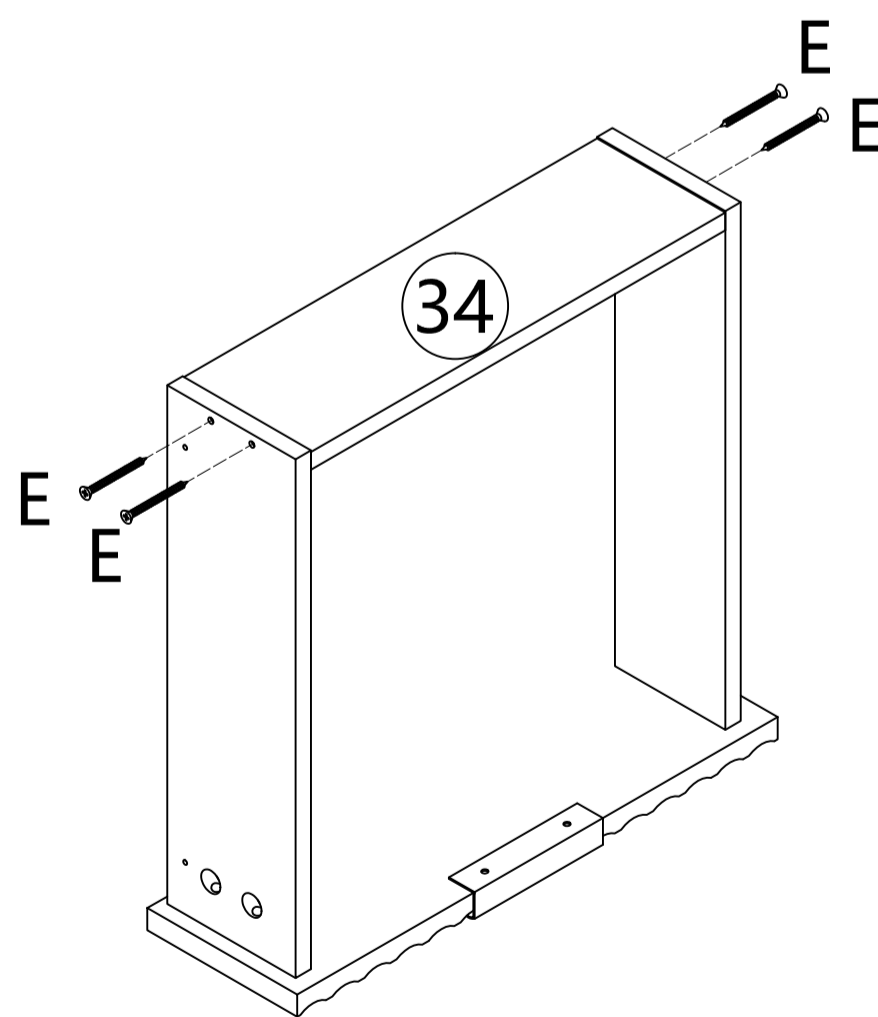
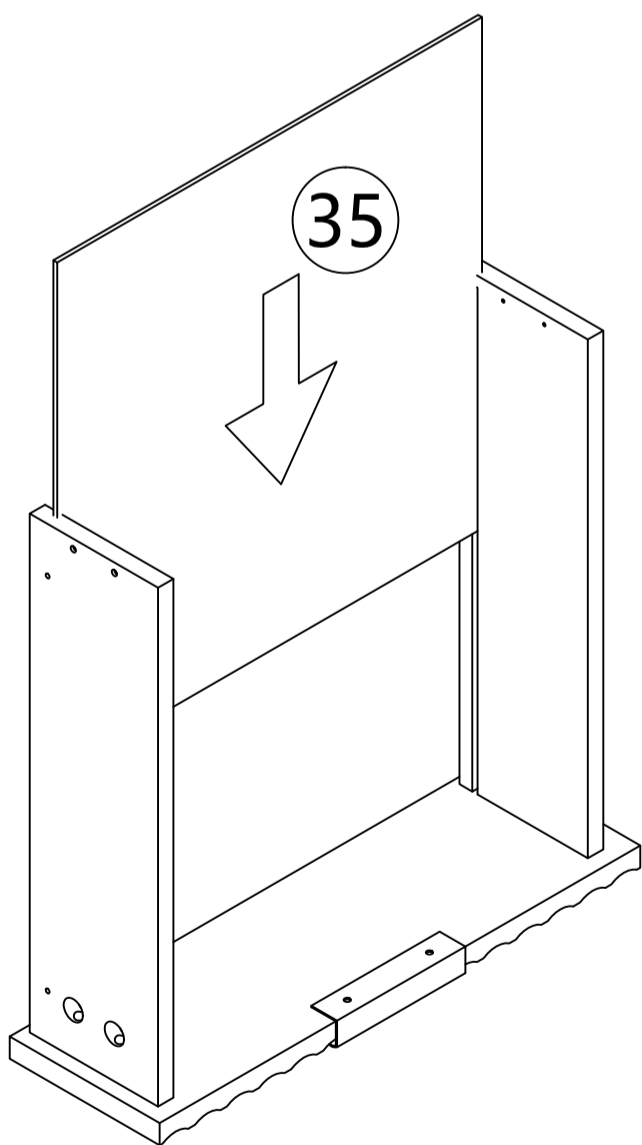
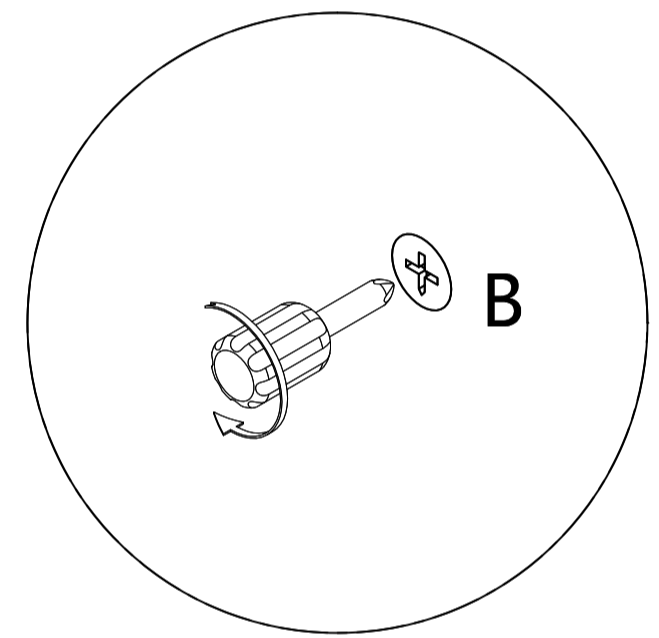
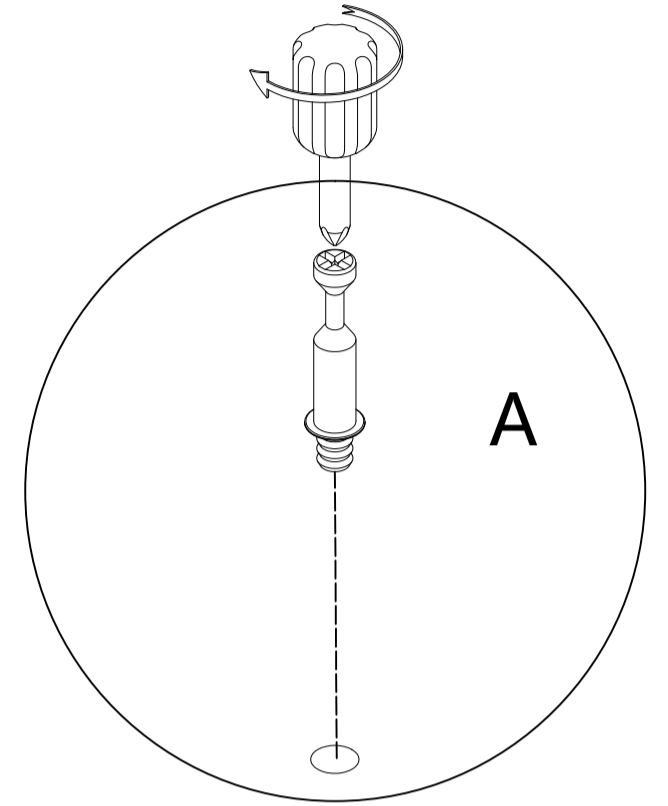
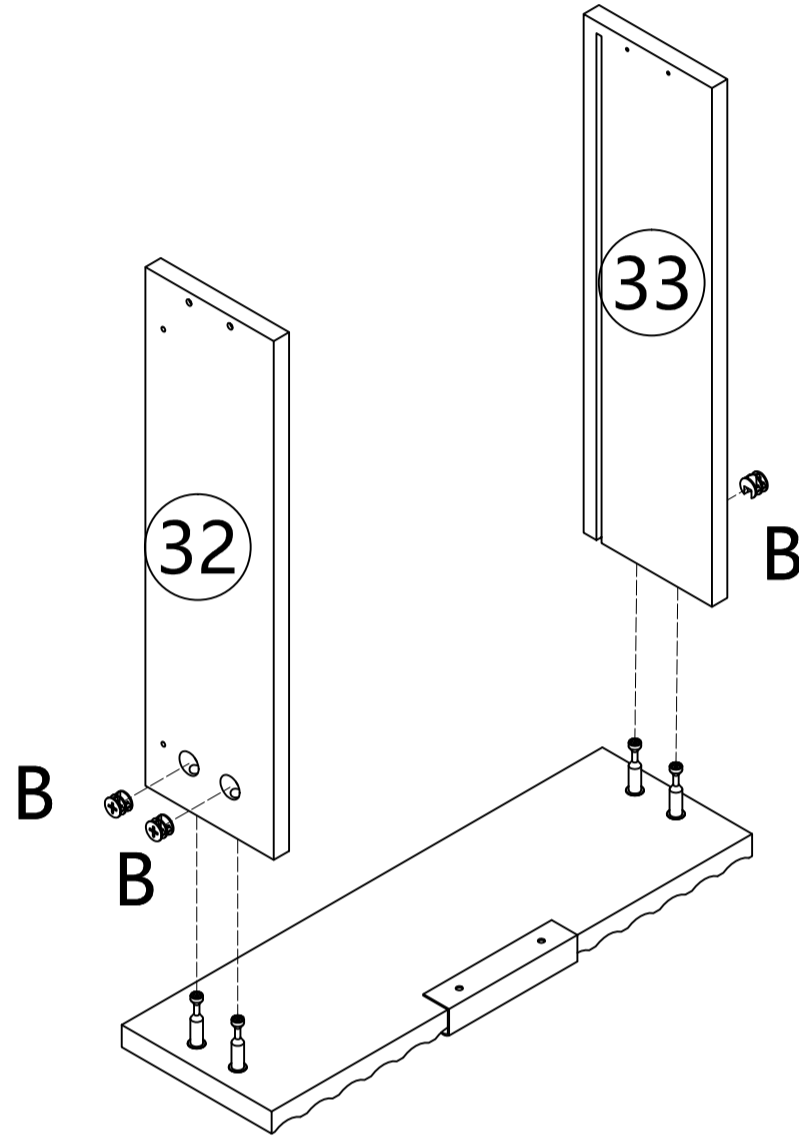
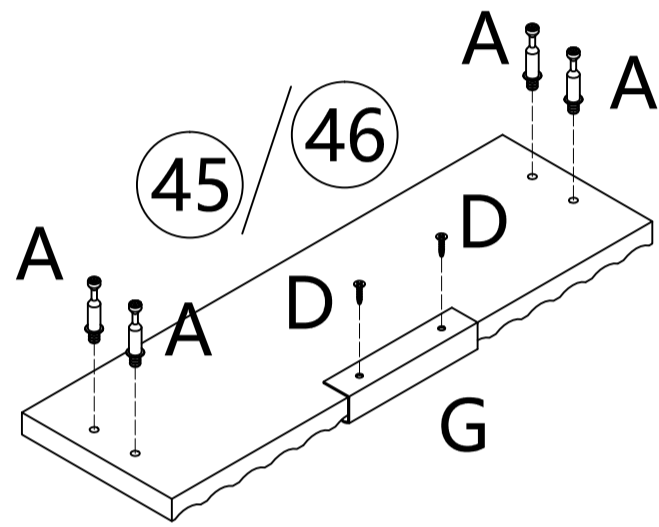
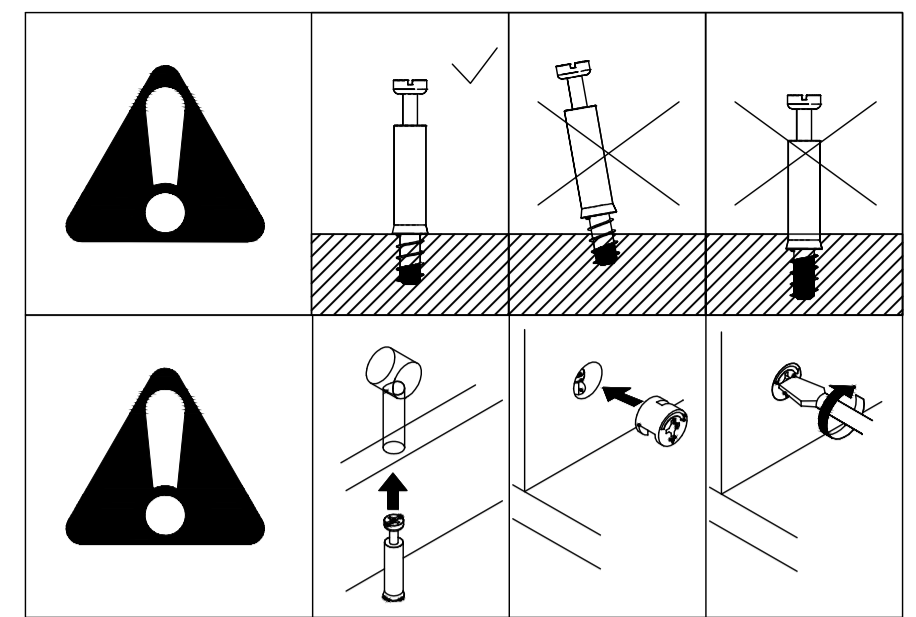


X 2



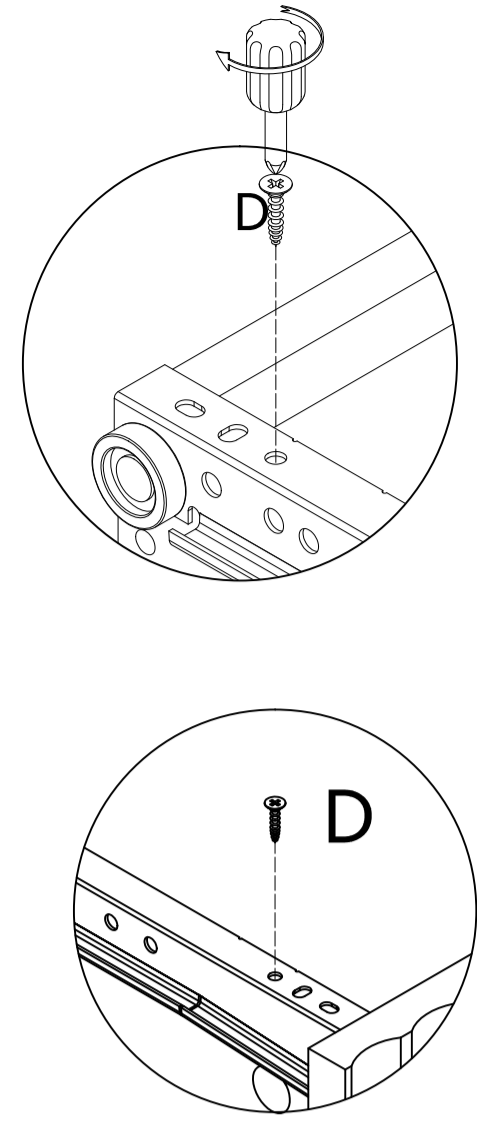
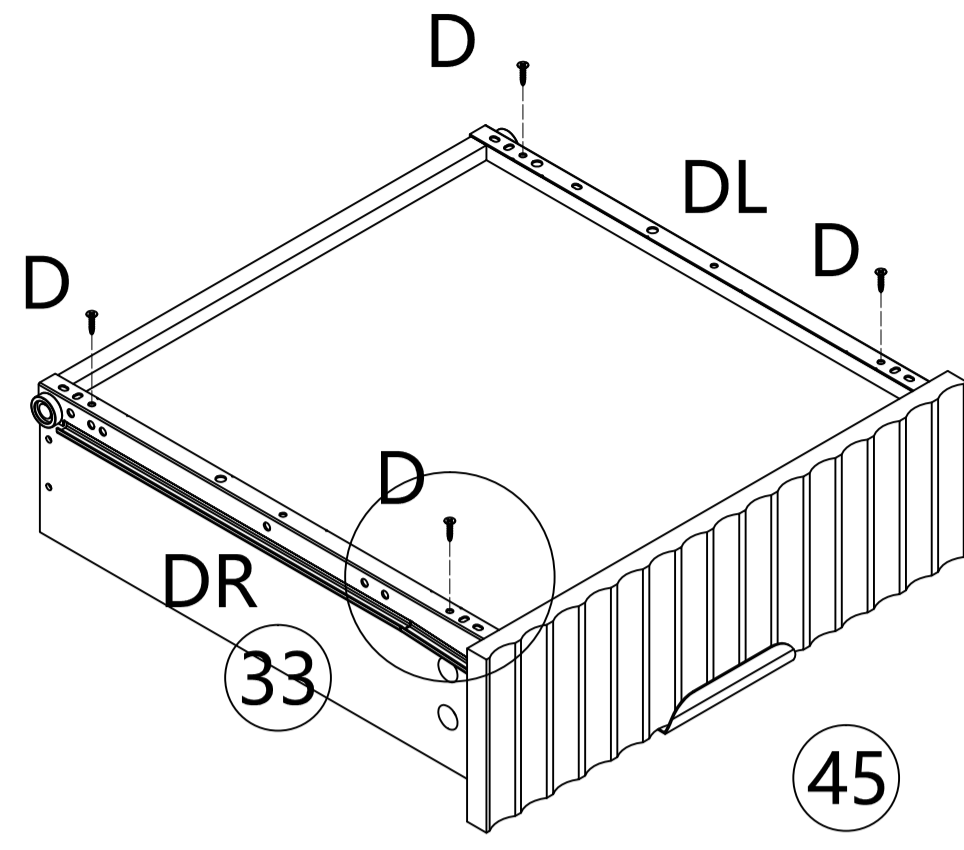
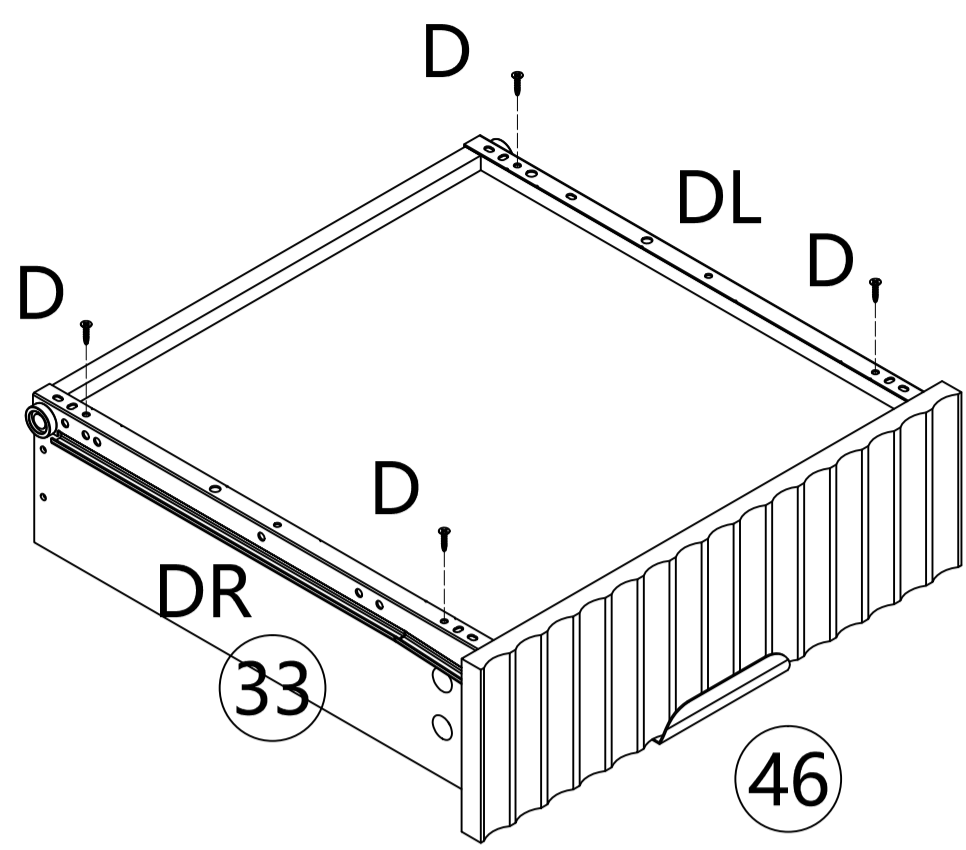
STEP 38

<p>A x 32</p>  <p>M6*35mm</p>	<p>B x 32</p>  <p>φ15*10mm</p>	<p>D x 48</p>  <p>φ3.5*12mm</p>
<p>E x 32</p>  <p>φ3.5*35mm</p>	<p>F x 8</p> <p>DL</p>  <p>DR</p>	<p>G x 8</p> 

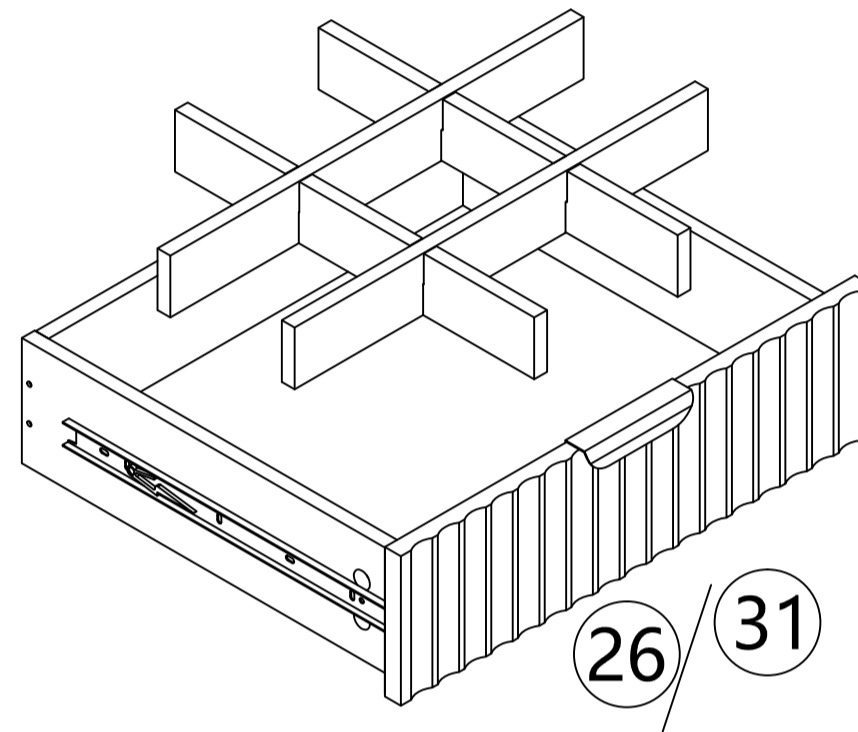
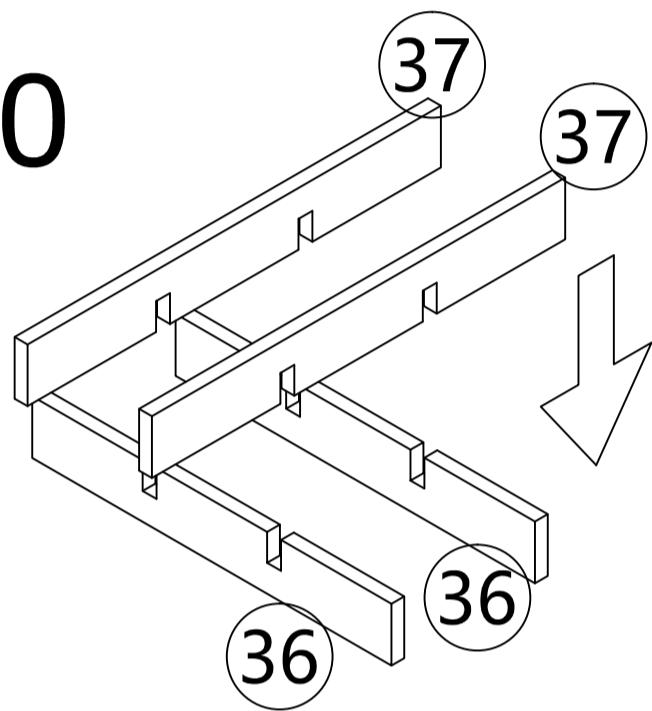


X 8

STEP 39



STEP 40



X 2

STEP 41

