

CARE AND MAINTENANCE

Store outdoor furniture indoors or cover well when not in use.

Remove wooden furniture from standing water. Dust regularly with small brush or vacuum




Spills should be taken care of immediately before they harden or stain with a slightly dampened sponge.

NOTICE

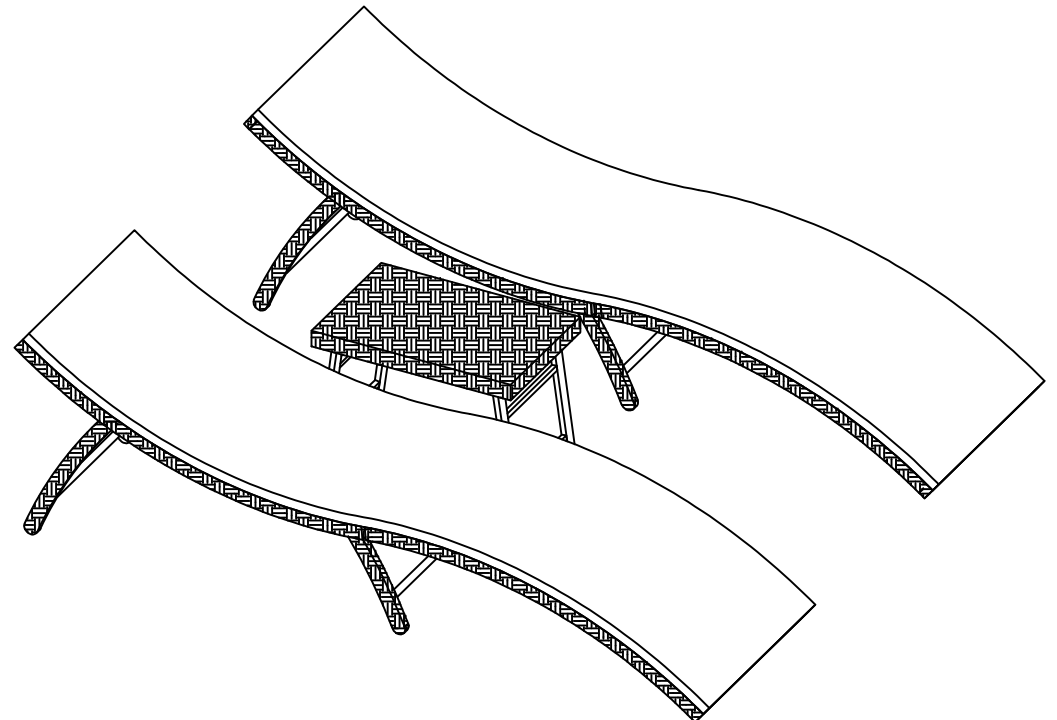
- * Please make sure that you have all parts indicated before you begin assembly of this item
- * This item should be assembled on a soft surface to prevent scratching the finish during assembly
- * This item may require periodic tightening

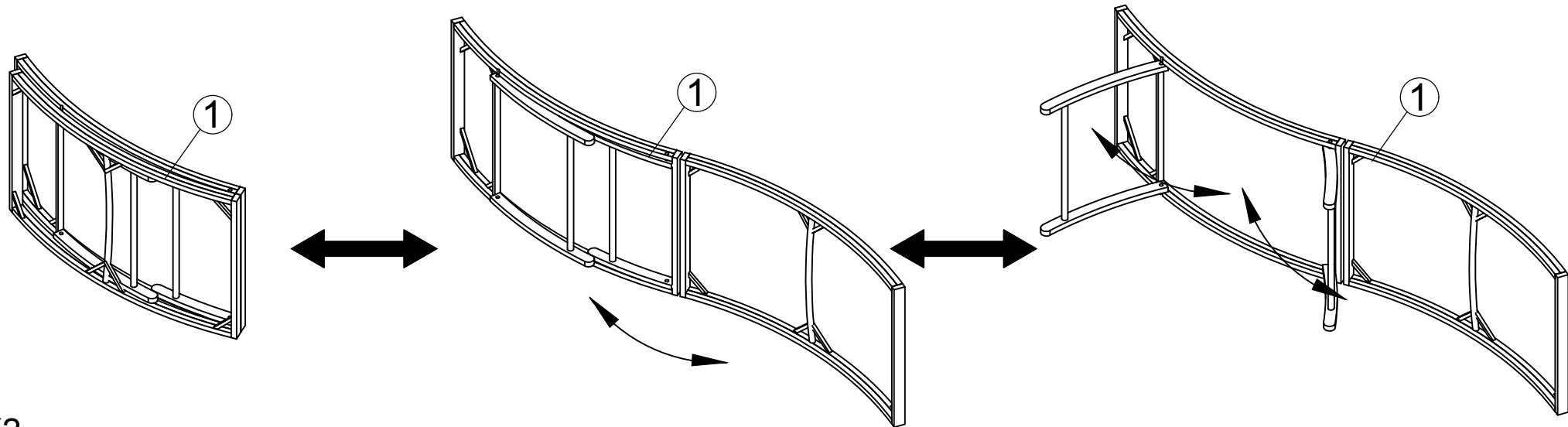
**Weight Capacity : 275 lbs (single seat)
550 lbs (two person seat)**
Warning : Do not stand on bench
Warning : Do not over torque bolts/screws

Part List and Hardware List

PIECE	DESCRIPTION	PICTURE	QUANTITY
1	SUNLOUNGE		2 X
2	TABLE		1 X
3	CUSHION		2 X

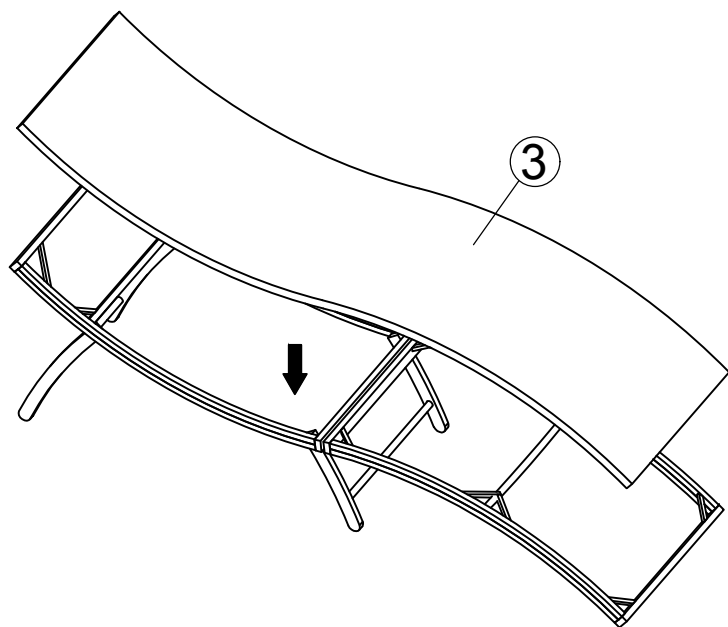
Product Dimensions
79.53"x23.62"x19.29"H (Sunlounger)
15.75"x23.62"x14.57"H (Table)





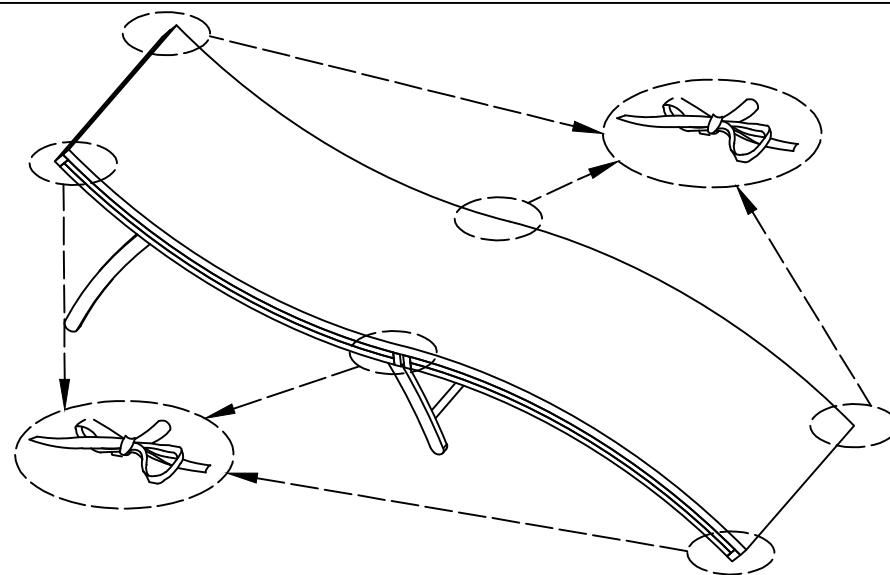
X2

STEP 1: Open the Sunlounger (1).



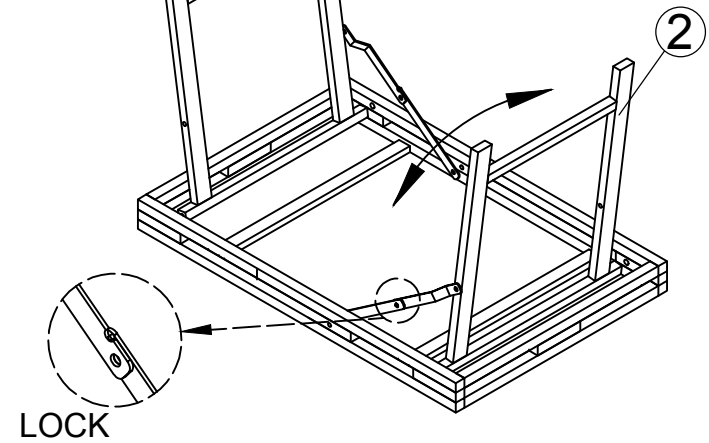
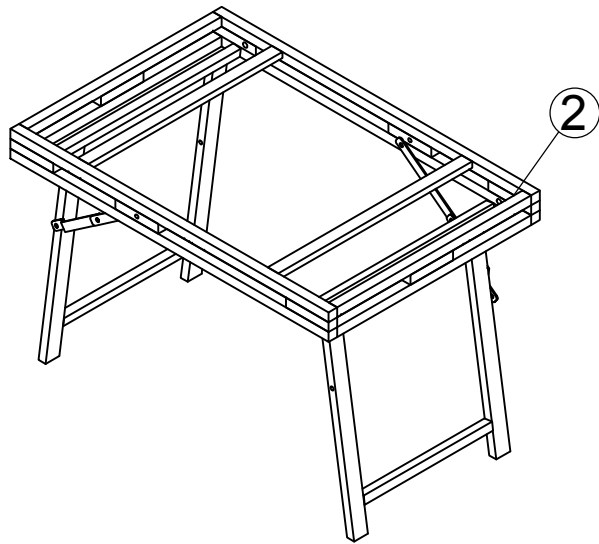
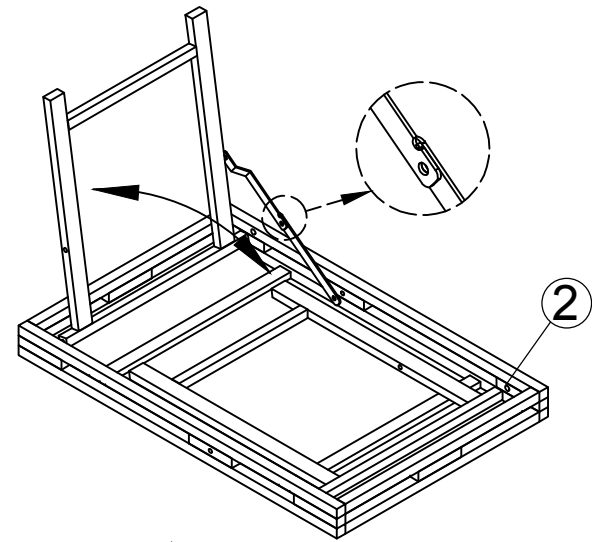
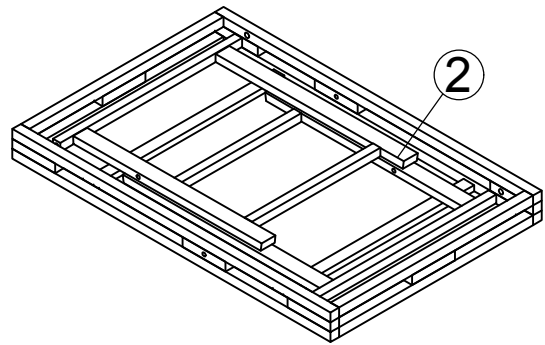
X2

STEP 2: Put Cushion (3).



X2

STEP 3: Tie Cushion (3) to finish Sunlounger.



STEP 4: Use Table (2).