

6-Drawer Horizontal Dresser

SKU WHIF2232



ASSEMBLY INSTRUCTIONS



60 min. assembly

2 person

*The estimated assembly time may vary depending on the individual.

Hey, there

Now is assembly time!

Deeeeeeep breathe.... and again....
Tools ready,
Easy peasy!

Estimated



60 min. assembly
2 person

Tools Required

- Allen Wrench (included)
- Phillips screwdriver (not included)
- Power Drill (not included)

***important:** Cautious when you use power tools*

Need Help?

Call us at +1 909 548 6688
Email customerservice@luxenhome.com
Submit a ticket on www.luxenhome.com/help

Thank you for purchasing this LuxenHome product. This product has been manufactured with the highest standards of safety and quality.

PLEASE READ ALL INSTRUCTIONS CAREFULLY BEFORE ASSEMBLY.

Un pack all parts from the packaging inside the carton to ensure there are no missing or damaged parts. Lay out all the parts on a clean, flat, and soft surface to prevent scratches. Refer to the steps provided as assembling guide.

Do not attempt to assemble or use the product if any parts are missing or damaged.

REMINDERS

SAFE USAGE IS KEY

Your well-being is our top priority when you use our product. Please prioritize your safety by diligently following the assembly guidelines and inspecting the product carefully both when it arrives and before each use.

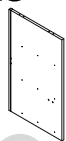
Please be aware that LuxenHome and Winsome House, Inc. cannot be held liable for any injuries or fatalities that occur due to not adhering to the provided instructions or misuse of the product.

DO NOT MODIFY

Our products undergo rigorous testing to ensure they meet established safety standards before being released for sale. Altering the product in any way can lead to serious safety concerns, for which LuxenHome cannot assume responsibility.

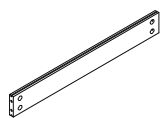
What's in the box

Parts



1 X 1

Middle support panel



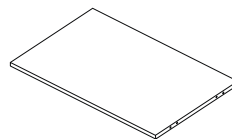
2 X 2

Back support bar



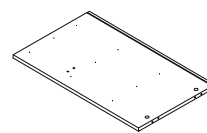
3 X 1

Middle support bar



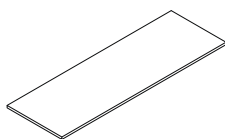
4 X 1

Left side panel



5 X 1

Right side panel



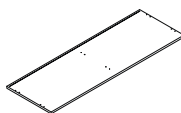
6 X 1

Top panel



7 X 1

Back panel



8 X 1

Bottom panel



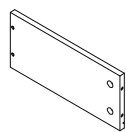
9 X 4

Metal leg



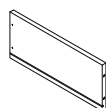
10 X 1

Middle adjustable leg



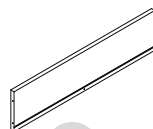
11 X 6

Left drawer side panel



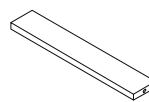
12 X 6

Right drawer side panel



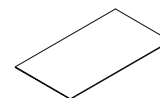
13 X 6

Drawer back panel



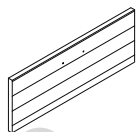
14 X 6

Drawer bottom support bar



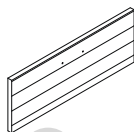
15 X 6

Drawer bottom panel



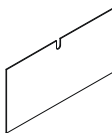
16 X 3

Left drawer front panel



17 X 3

Right drawer front panel



18 X 2

Back panel

What's in the box

Hardware & Accessory



A X 48+3
M6 x 36mm



B X 48+3
M15 x 9mm



C X 16+2
M5.8 x 30mm



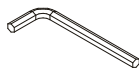
D X 16+2
M4 x 18mm



E X 72+3
M3.5 x 12mm



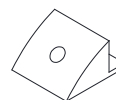
F X 20+3
M6 x 12mm



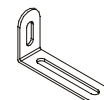
G X 1



H X 24+3
M3 x 16mm



I X 24+3



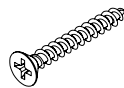
J X 2



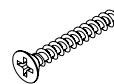
K X 2
M4 x 14mm



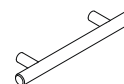
L X 2



M X 8
M4 x 35mm



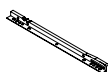
N X 30+3
M4 x 30mm



O X 6



DL X 6



DR X 6

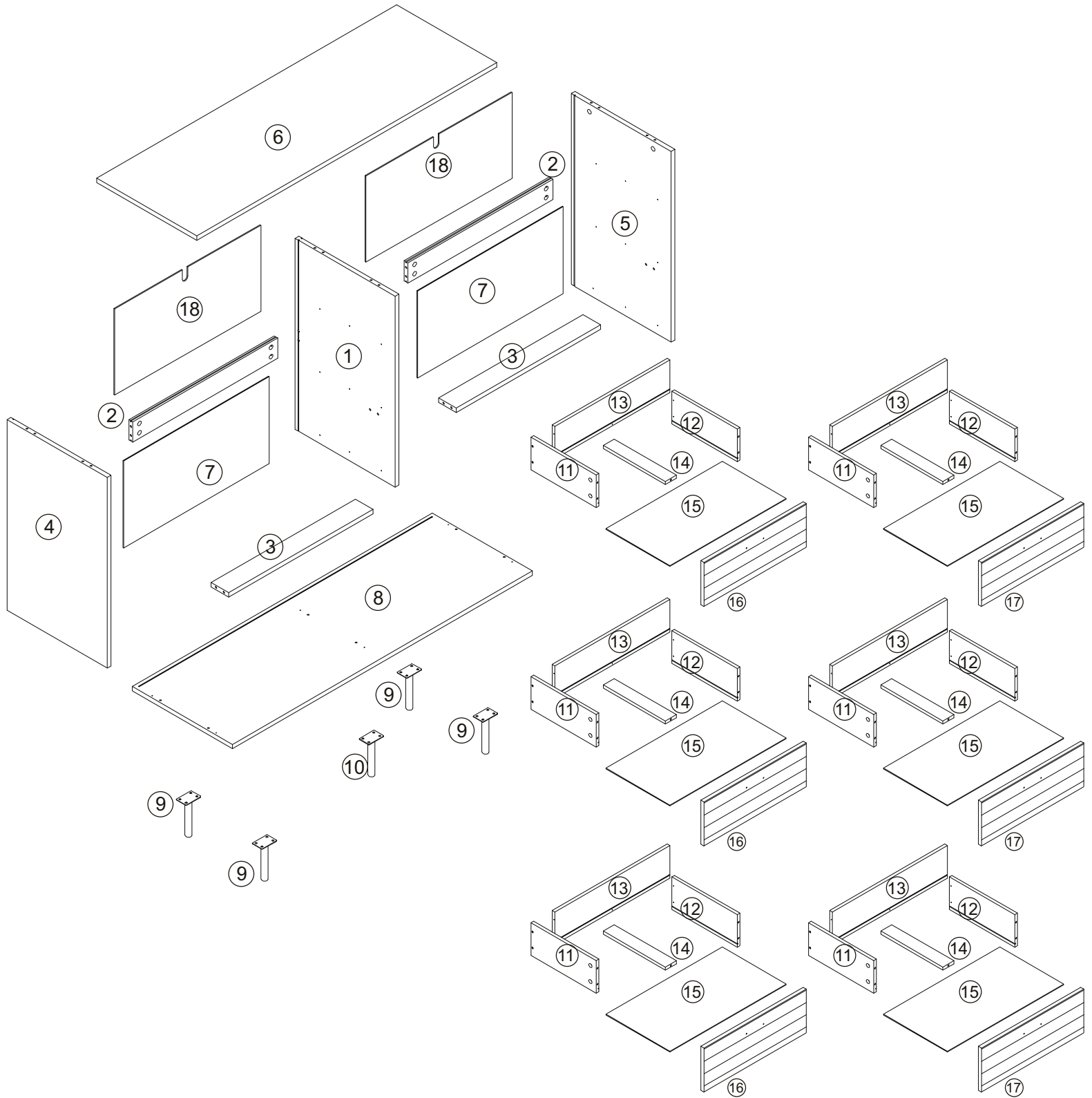


CL X 6



CR X 6

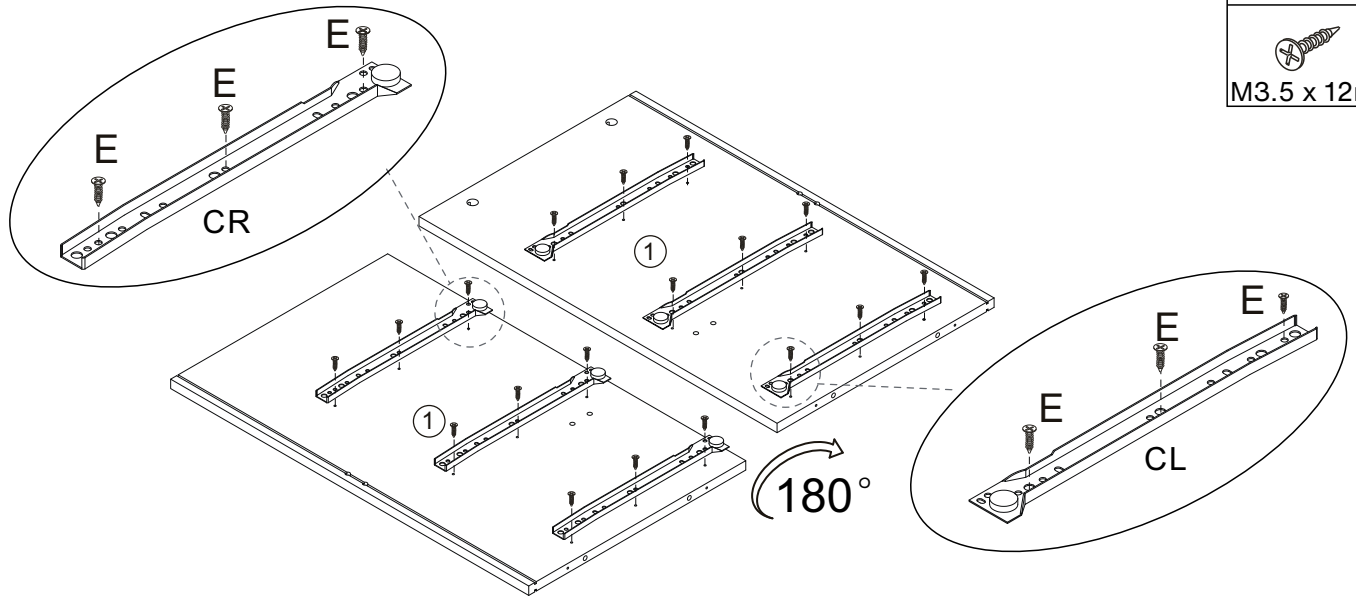
Assembly



Step 1

Fix left outer drawer runners (CL) and right outer drawer runners (CR) to part 1 using screws (E), as shown.

CLx3
CRx3
E x18
M3.5 x 12mm



Step 2

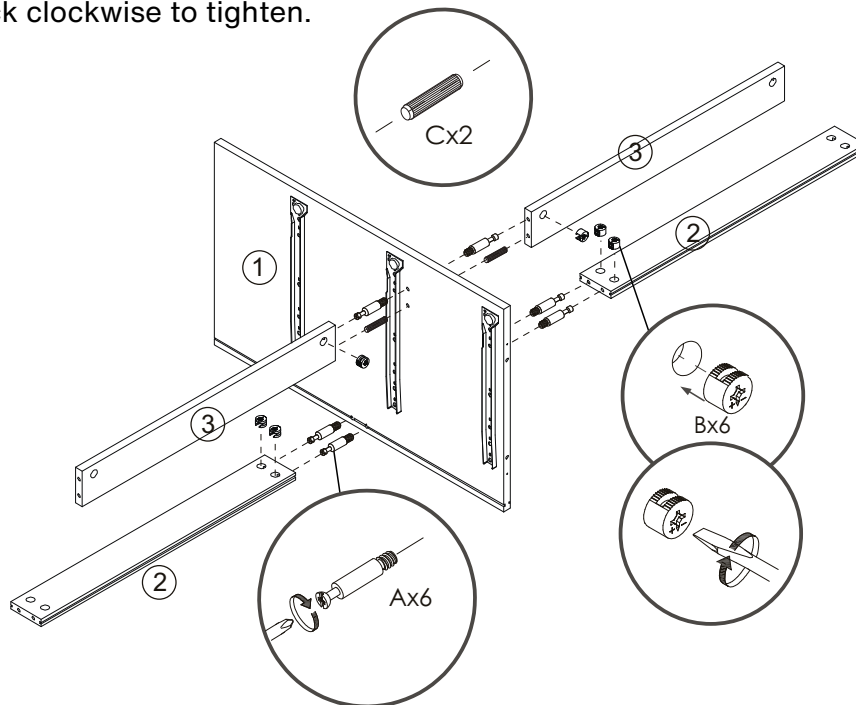
Insert quickfit screws (A) into part 1, as shown.

Insert cam locks (B) and wooden dowels (C) into parts 2 and 3, as shown.

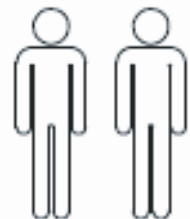
Fit parts 2 and 3 to part 1.

Turn cam lock clockwise to tighten.

Ax6
M6 x 36mm
Bx6
M15 x 9mm
Cx2
M5.8 x 30mm

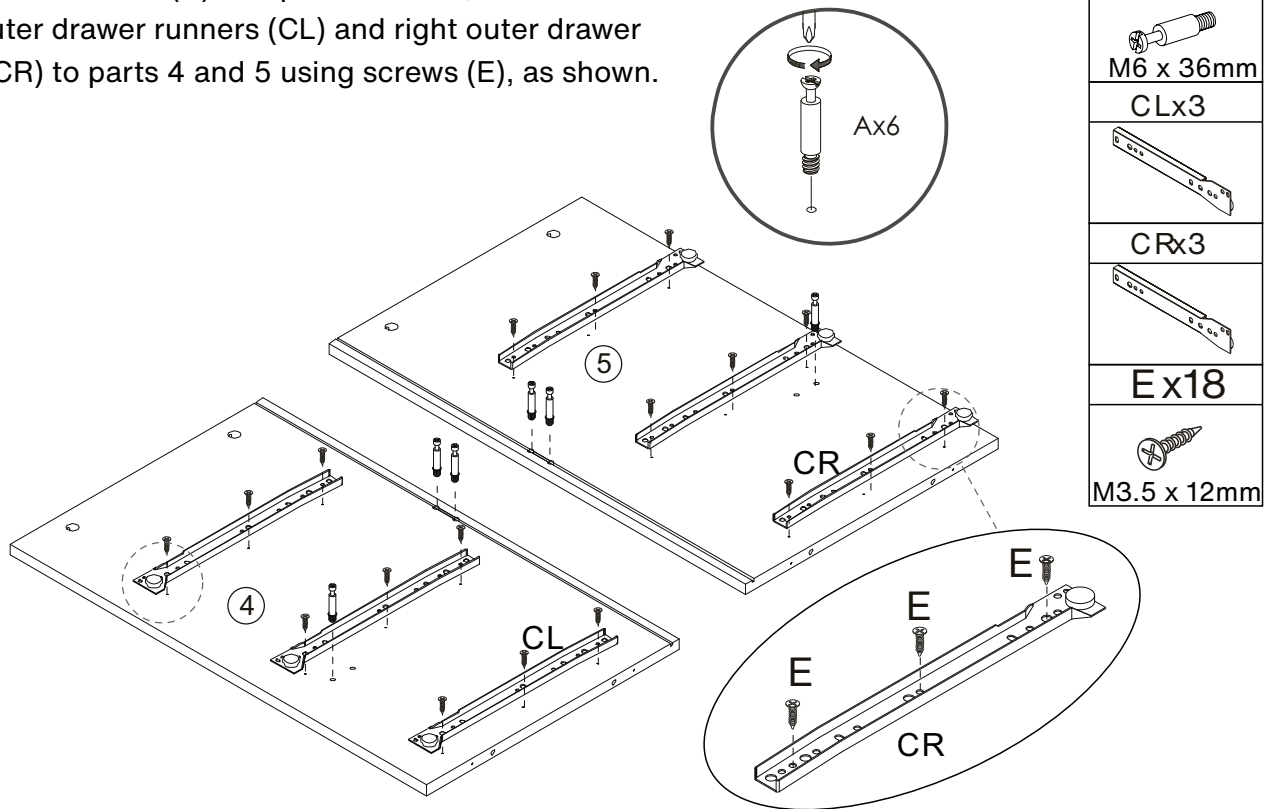


NOTE: THIS STEP TO BE ACCOMPLISHED BY TWO PERSONS



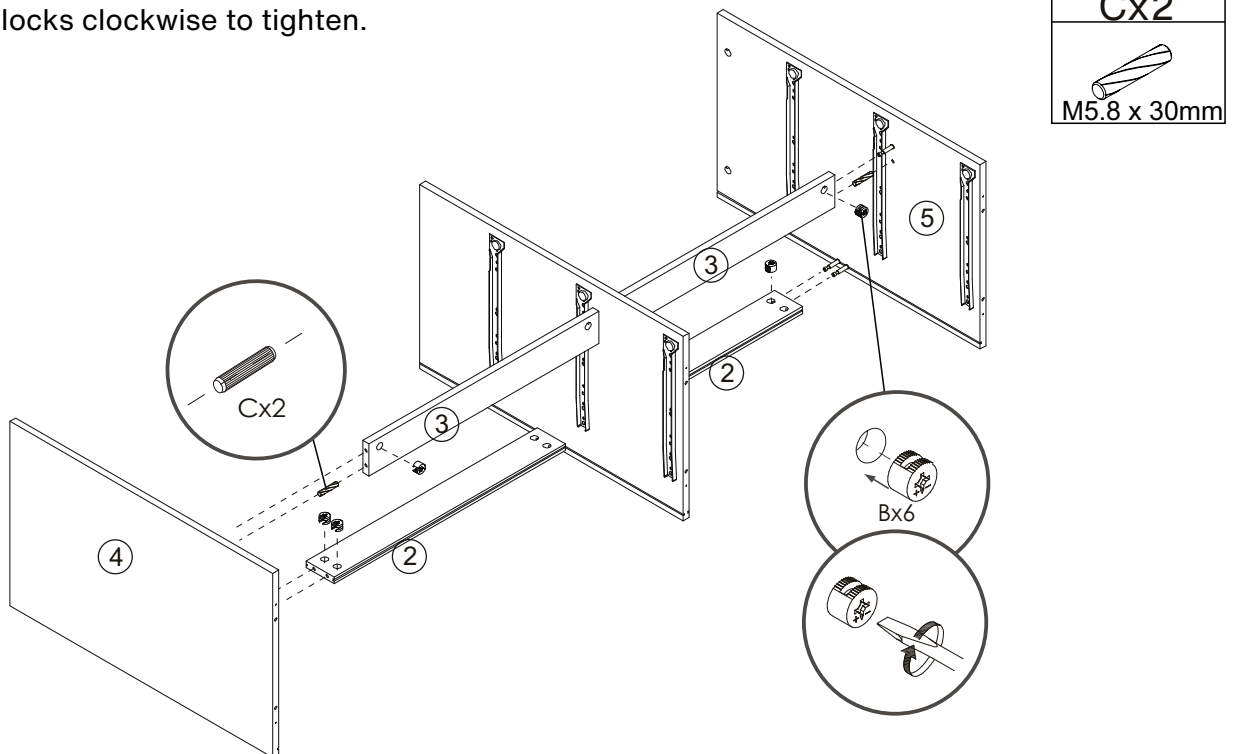
Step 3

Insert quickfit screws (A) into parts 4 and 5, as shown.
 Fix left outer drawer runners (CL) and right outer drawer runners (CR) to parts 4 and 5 using screws (E), as shown.



Step 4

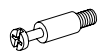

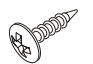
Insert cam locks (B) and wooden dowels (C) into parts 2 and 3, as shown.
 Attach parts 4 and 5 to parts 2 and 3.
 Turn cam locks clockwise to tighten.

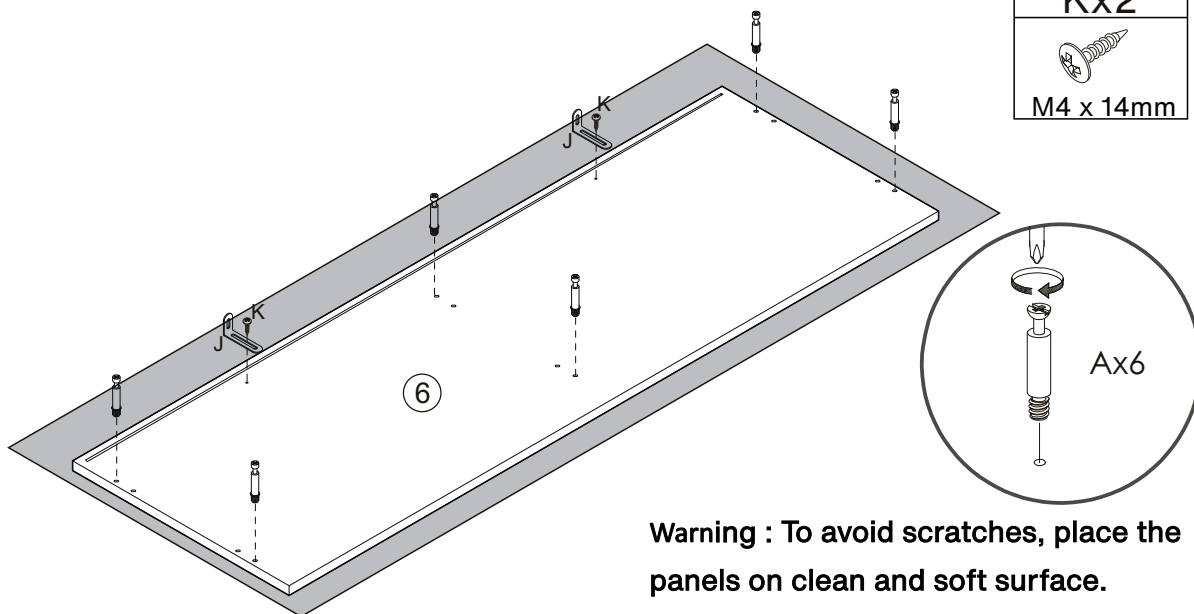


Step 5

Insert quickfit screws (A) into part 6, as shown.

Fix wall brackets (J) to part 6 using screws (K), as shown.

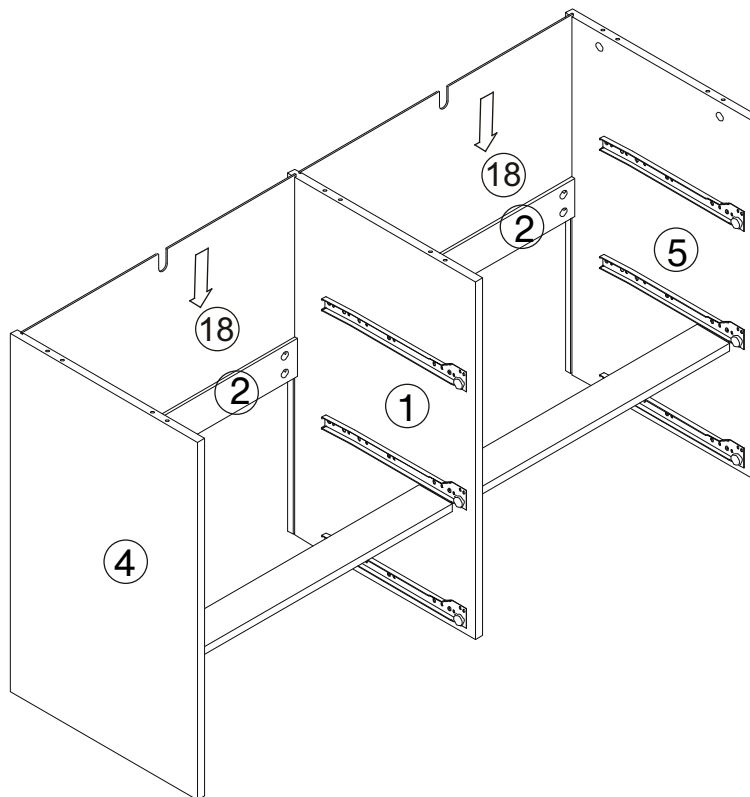
Ax6
 M6 x 36mm
Jx 2

Kx2
 M4 x 14mm



Warning : To avoid scratches, place the panels on clean and soft surface.

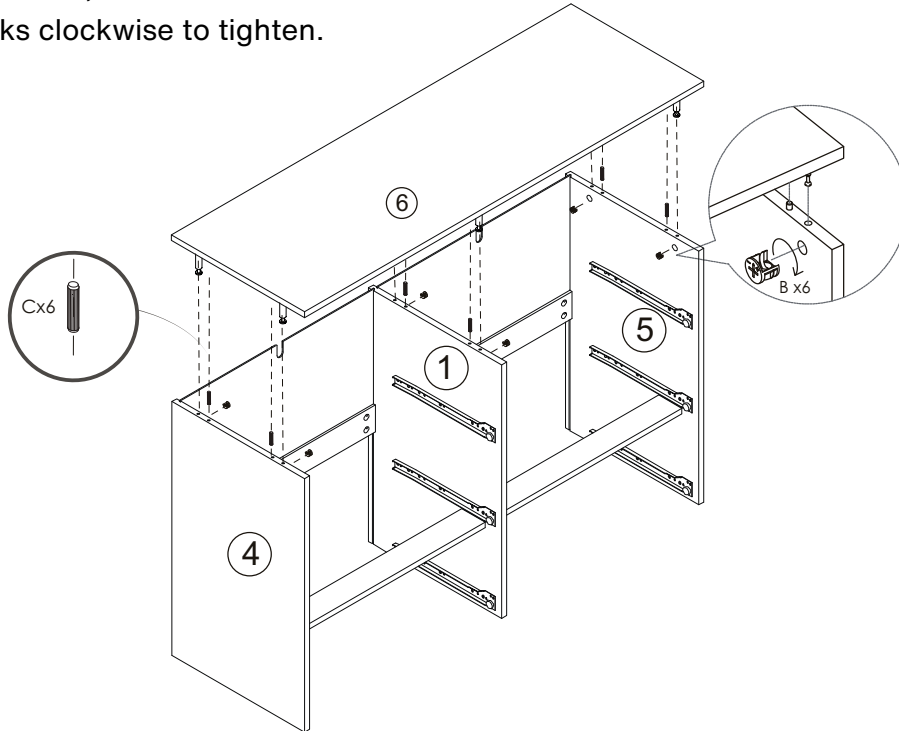
Step 6



Slide parts 18 into grooves between 1, 2, 4 and 5, as shown.



Step 7

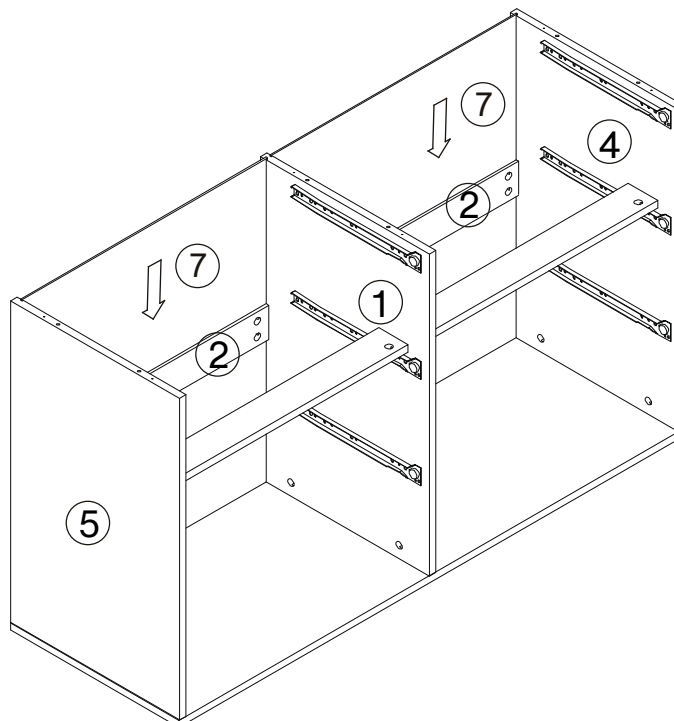
Insert cam locks (B) and wooden dowels (C) into parts 1, 4 and 5, as shown.
Fit part 6 to parts 1, 4 and 5.
Turn cam locks clockwise to tighten.



Bx6
 M15 x 9mm
Cx6
 M5.8 x 30mm

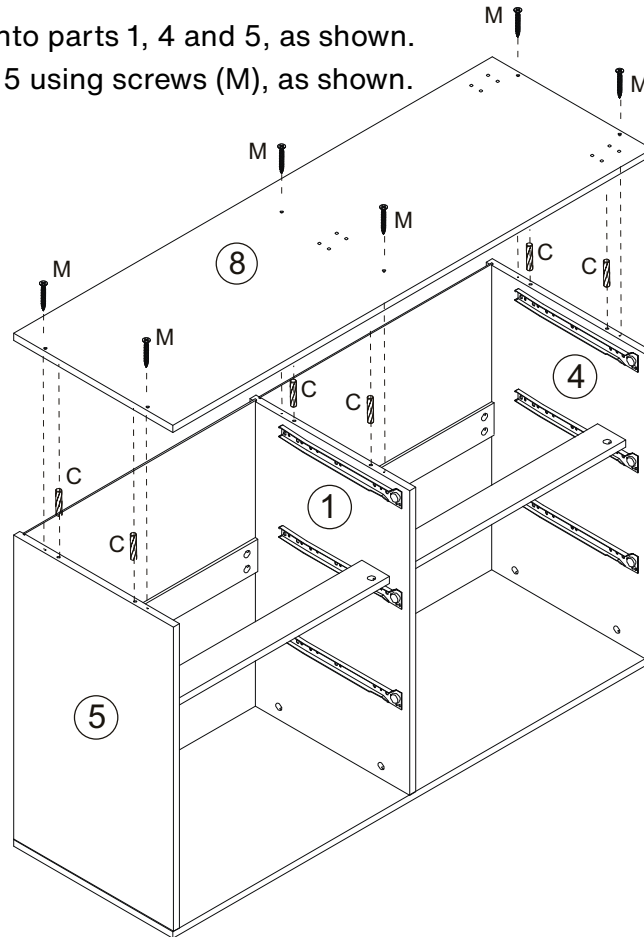
Step 8


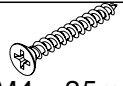
Slide parts 7 into grooves between parts 1, 2, 4 and 5, as shown.



Step 9

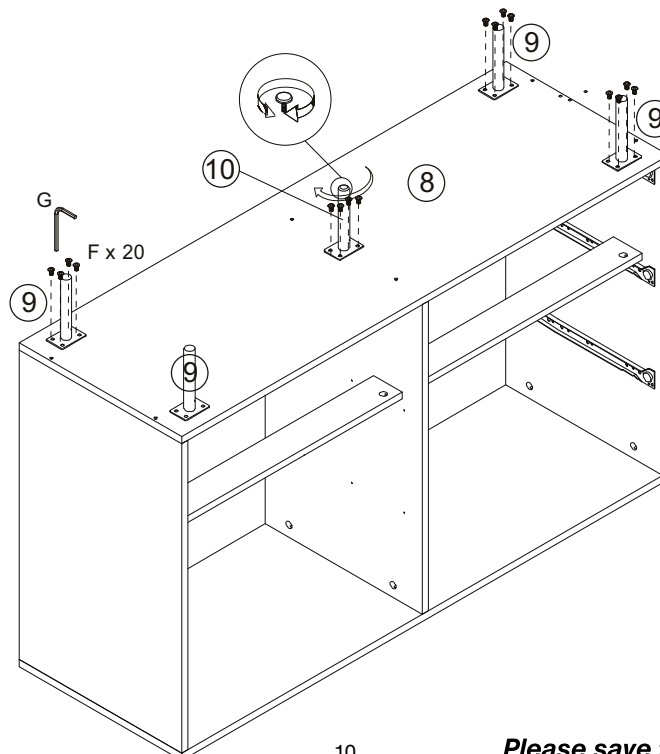
Insert wooden dowels (C) into parts 1, 4 and 5, as shown.
Fix part 8 to parts 1, 4 and 5 using screws (M), as shown.

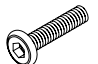
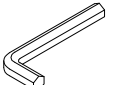


Cx6
 M5.8 x 30mm
Mx6
 M4 x 35mm

Step 10

Fix legs 9 and 10 to part 8 using screws (F) and allen key (G), as shown.



Fx20
 M6 x 12mm
Gx1


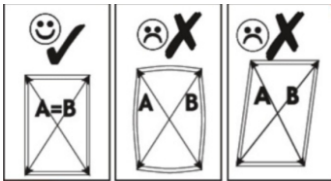
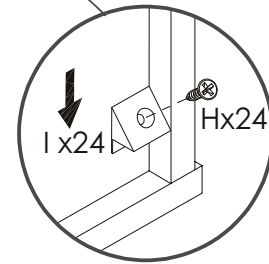
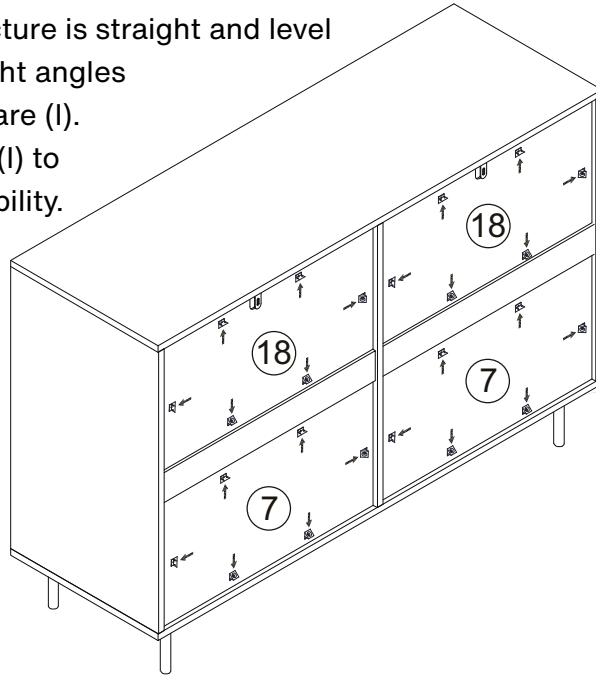
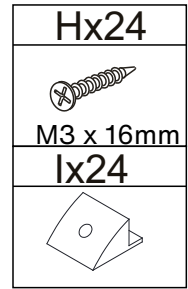
Step 11

Secure backing panels 7 and 18 by fixing wedges (I) using screws (H), as shown.

ATTENTION PLEASE

Please ensure the structure is straight and level and all panels are at right angles before installing hardware (I).

MUST install hardware (I) to strengthen product stability.

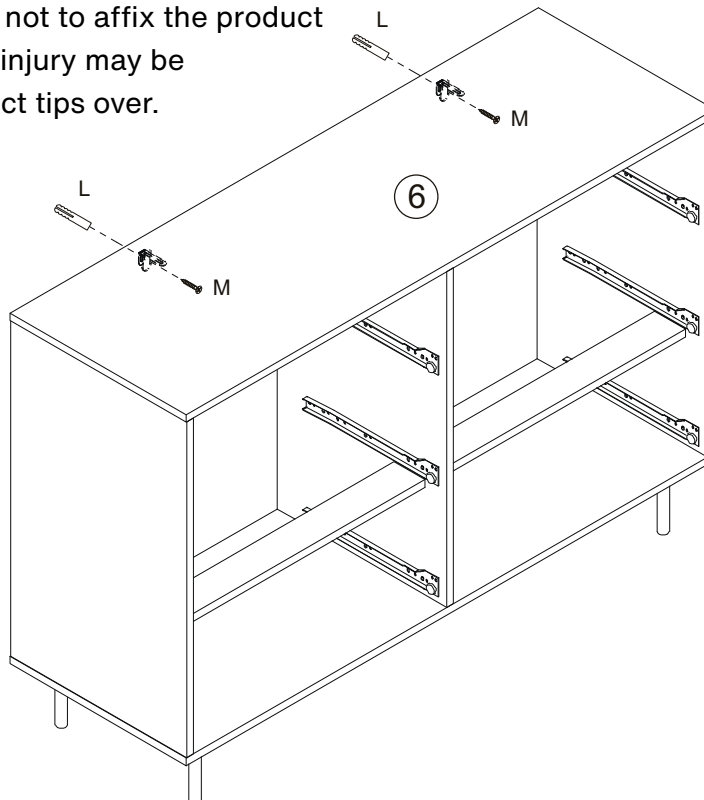
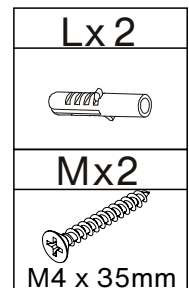


Step 12

For extra stability, it is recommended that you fix your Chest of drawers to the wall using hardware (L and M), as shown.

Screws (M) are fixed through wall brackets and into the wall plugs (L).


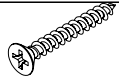
Should you choose not to affix the product to the wall, serious injury may be caused if the product tips over.

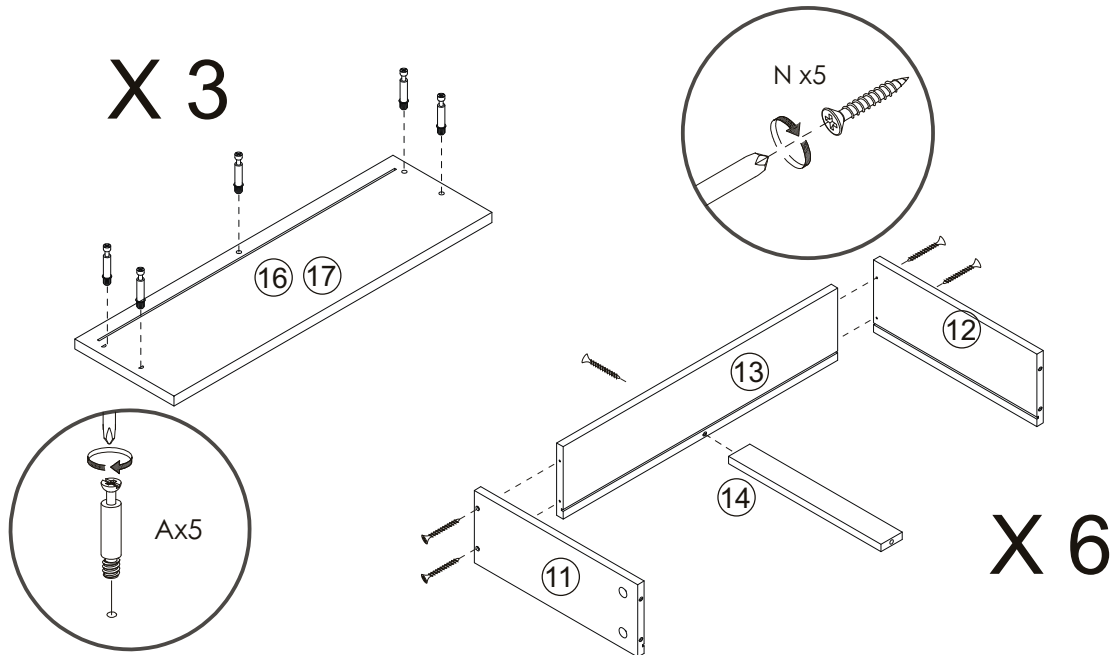


Step 13

Insert quickfit screws (A) into parts 16 and 17, as shown.

Fix parts 11, 12 and 14 to parts 13 using screws (N), as shown.

Ax15
 M6 x 36mm
Nx30
 M4 x 30mm



Step 14

Fix handles (O) to parts 16 and 17 using screws (D).



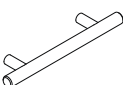
Insert part 15 into grooves between parts 11, 12 and 13, as shown.

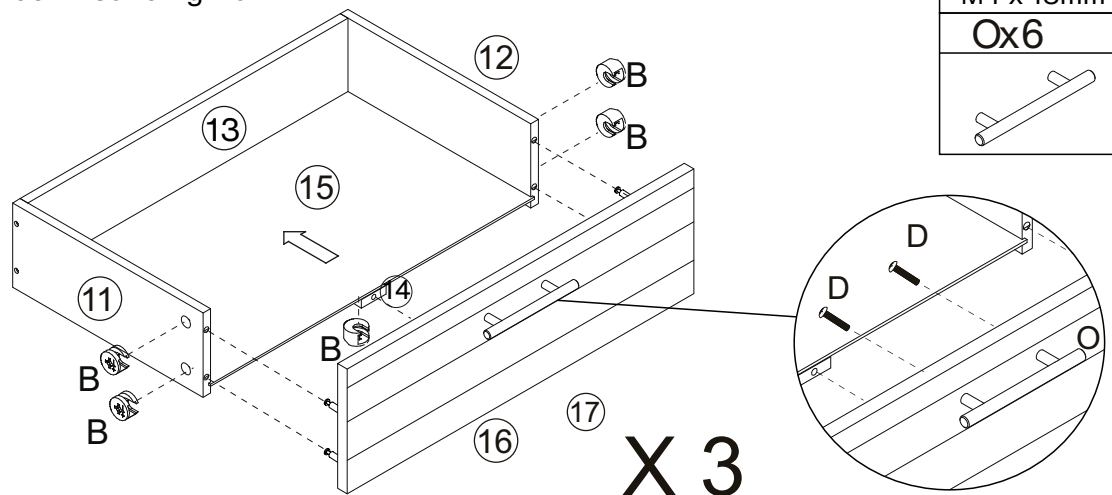
Fix handles (O) to parts 16 and 17 using screws (D).

Insert cam locks into parts 11, 12 and 14, as shown.

Fit parts 16 and 17 to parts 11, 12 and 14.

Turn cam locks clockwise to tighten.

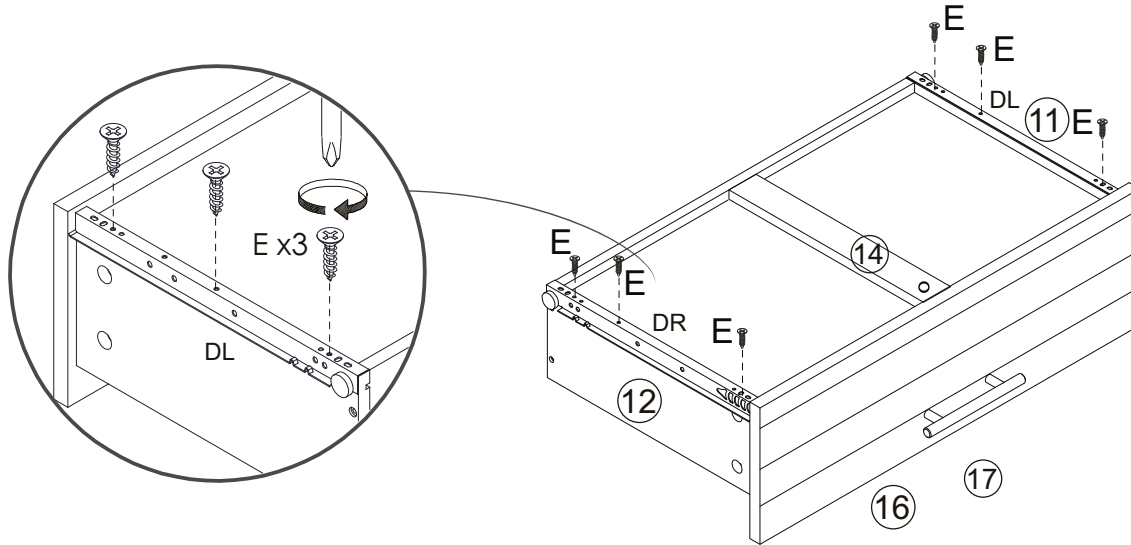
Bx30
 M15 x 9mm
Dx 12
 M4 x 18mm
Ox6




Step 15

Fix left inner drawer runners (DL) and right inner drawer runners (DR) to parts 11 and 12 using screws (E), as shown.

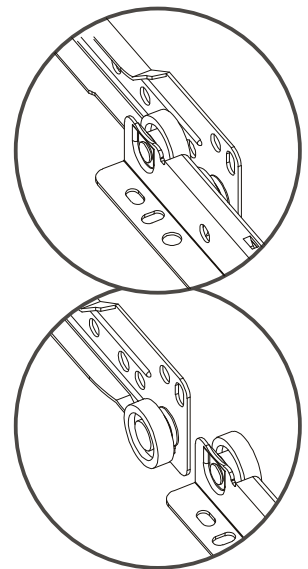
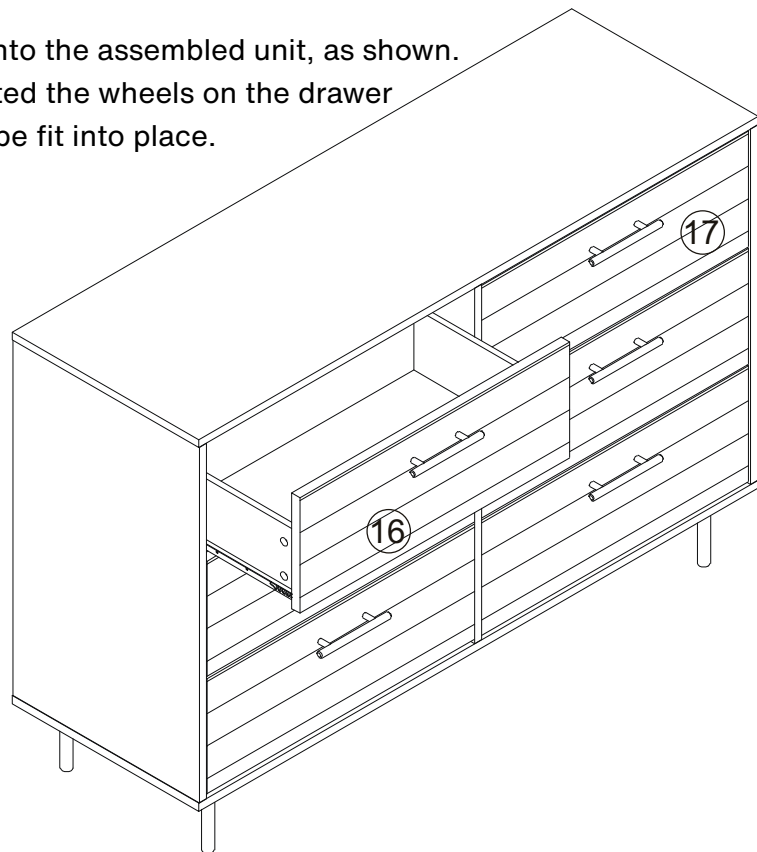
DRx6
DLx6
Ex36
M3.5 x 12mm



X 3

Step 16

Insert drawers into the assembled unit, as shown.
Please to be noted the wheels on the drawer runners should be fit into place.



VOILA!
Now enjoy.



Warning

Do NOT sit, stand, or climb on the dresser as this may damage the product and cause serious bodily injury

Something not right?

We are always here to help.

We make mistakes like every human does.

Though we always strive to provide the best possible products at competitive prices and the best service in the industry, it's not possible to completely eliminate mistakes. If you experience any dissatisfaction, feel free to contact us immediately. Our in-house customer care team will respond ASAP.



customerservice@luxenhome.com
Get response within 24 hrs



909.548.6688
Mon-Fri 9am-5pm PST/PDT



www.luxenhome.com/help
Submit a ticket on our website

Things to do to expedite the process

- Have your order# ready
- Take photos/videos to help us better identify the issues
- DO NOT throw away the packaging

Happy with our product?

Leave us a review

It really help us as a small business

- Find the product you purchased on our website (tip: search by SKU) and leave us a review.
- Alternatively, you can always return to the marketplace where you purchased it and leave a review there.

Share with others

Our customers look for REAL stuff



- Follow us on IG @luxen.home
- Share your #liveluxen moments



**Please save this manual
for future reference.**