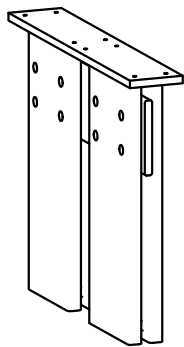
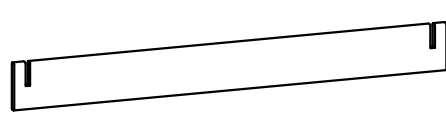


ASSEMBLY INSTRUCTIONS

OUTDOOR DINING TABLE 96" - WOODEN TOP



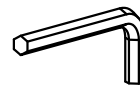
A= 2 pcs



B= 1 pcs



C= 1 pcs



D= ALLEN SPANNER, 1 pcs

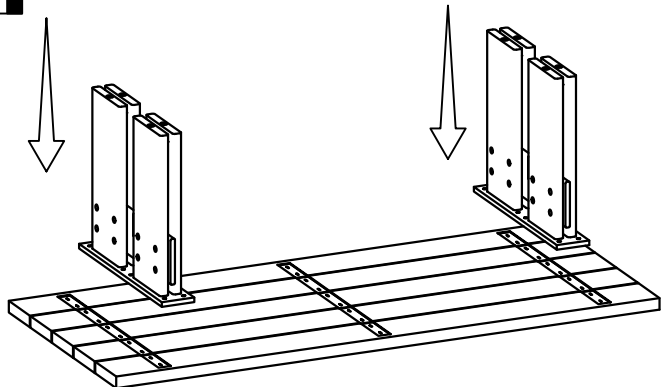


E= JCBC M6x40mm, 16 pcs

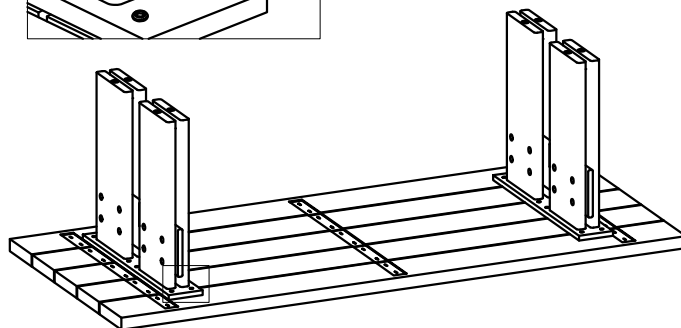
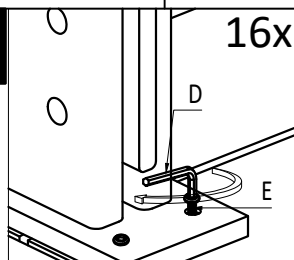


F= JCBC M6x100mm, 2 pcs

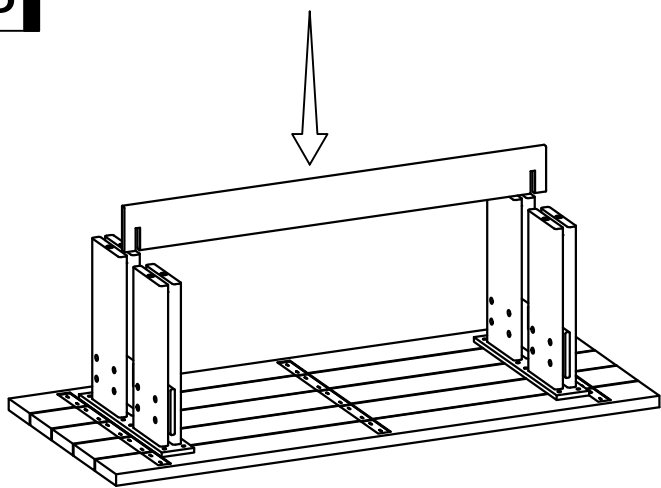
1



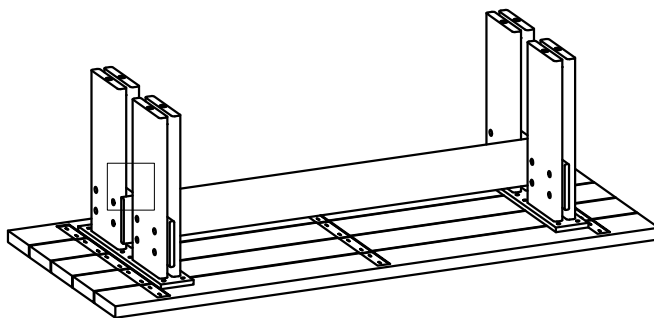
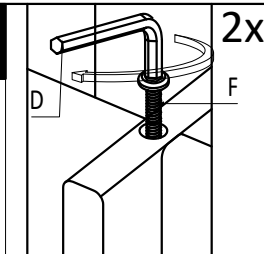
2



3



4



5

