

# ASSEMBLY INSTRUCTIONS



**CAUTION**

◆ Inspect the wire insulation for any cuts, abrasions, or exposed copper that may have resulted during shipping. If there is a defect in the wire, do not attempt installation.

◆ Before starting installation of this fixture or removal of a previous fixture, disconnect the power by turning off the circuit breaker or by removing the fuse at the fuse box.

## TOOLS REQUIRED



Ladder



Safety glasses



Electrical tape



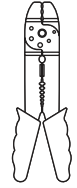
Phillips screwdriver



Flat blade screwdriver

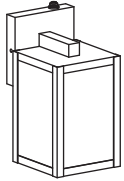


Pliers

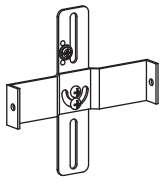


Wire strippers

## HARDWARE INCLUDED



Fixture



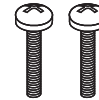
Mounting Unit



Screws



Rubber Rings



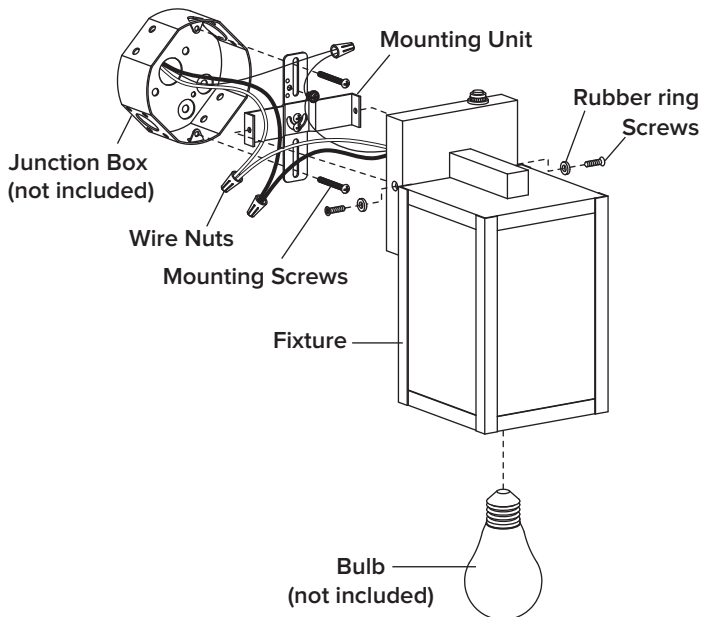
Mounting Screws



Wire Nuts

**\* PARTS SHOWN MAY DIFFER SLIGHTLY PER LIGHT FIXTURE**

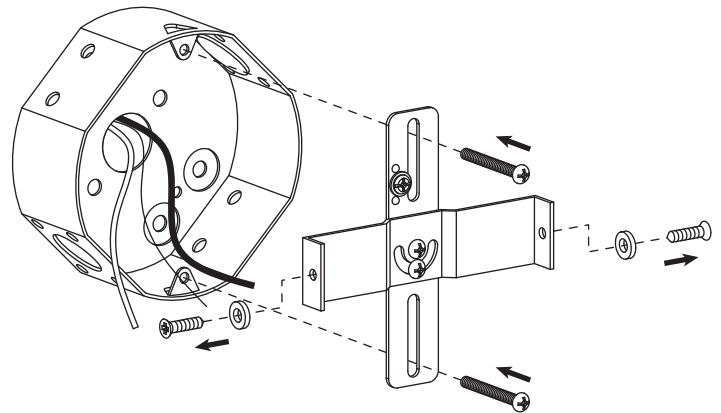
## EXPLODED PARTS



## INSTALLATION

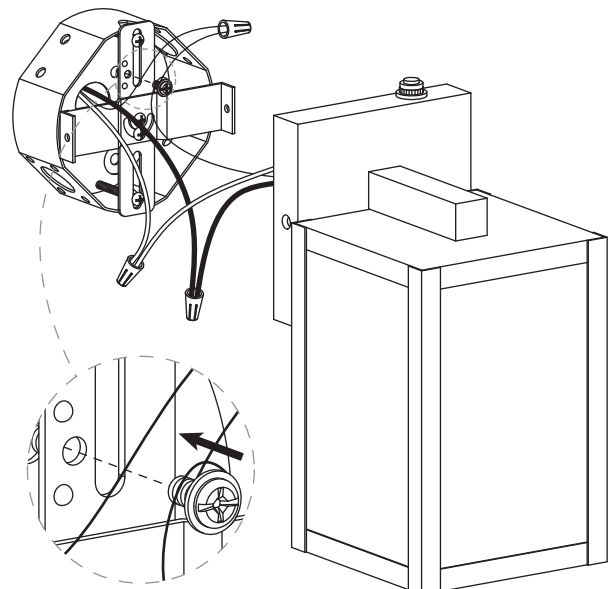
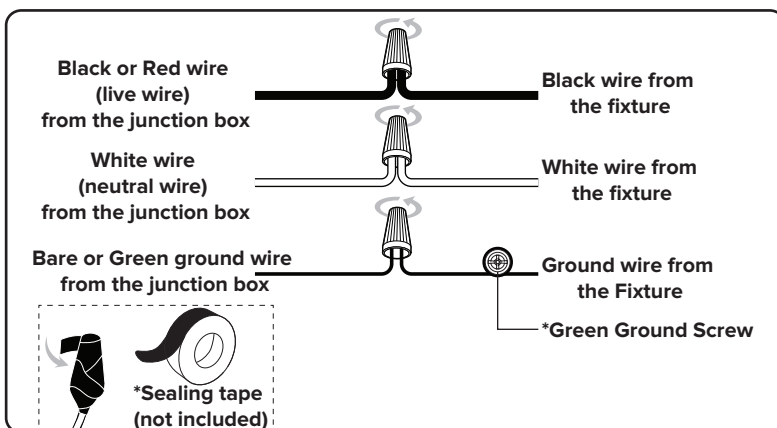
### STEP 1

Unscrew the **rubber rings** and **screws** from the **mounting unit**. Use the **mounting screws** to attach the **mounting unit** to the junction box (not included).

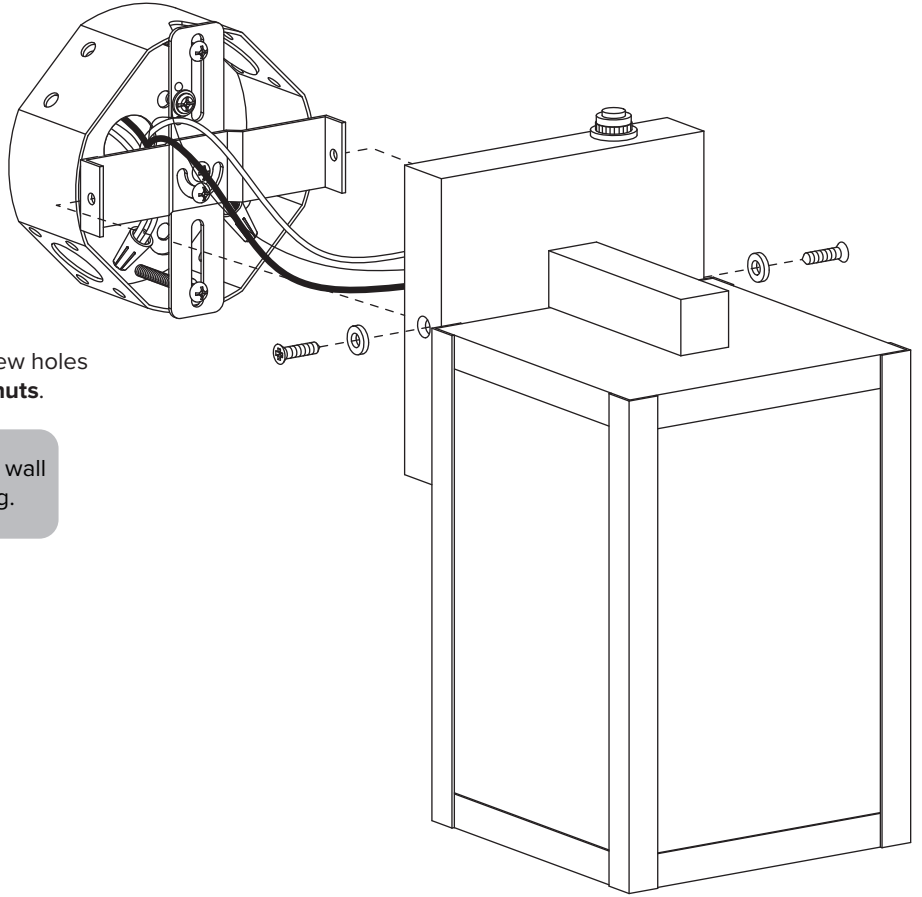


### STEP 2

Make the electrical connection from the junction box (not included) to the **fixture**. Connect the ground wire to the **mounting unit** using the preinstalled green ground screw. Next, connect the live wire, neutral wire and ground wires with the supplied **wire nuts**. Secure with electrical tape.



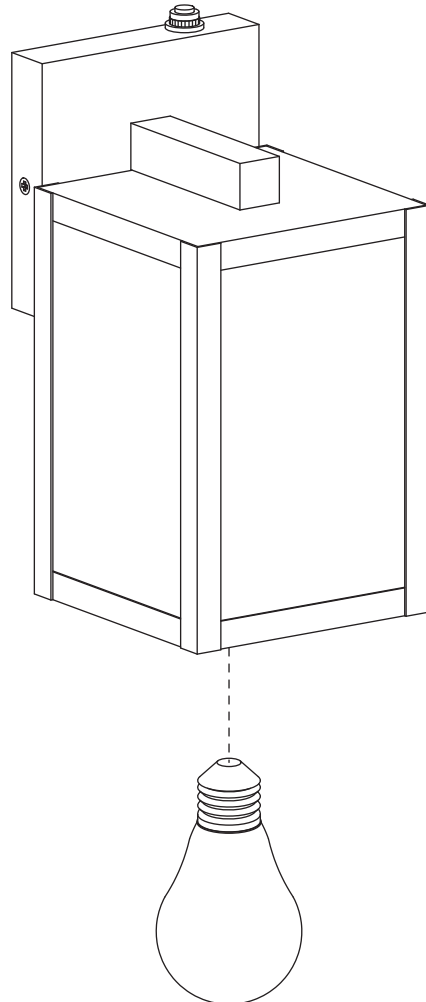
\*Junction Box  
(not included)



### STEP 3

Attach the **fixture** to the **mounting unit** through screw holes as shown, and secure it with **rubber rings** and **ball nuts**.

NOTICE: Please use caulk in the back plate and wall mounting surface to prevent water from entering.



### STEP 4

Install bulb (not included)

