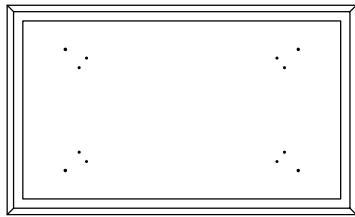


ASSEMBLY INSTRUCTION



A × 1pc



B × 4pcs



C × 12pcs
M8*20mm
Spart part1



C × 2pcs
M8*20mm



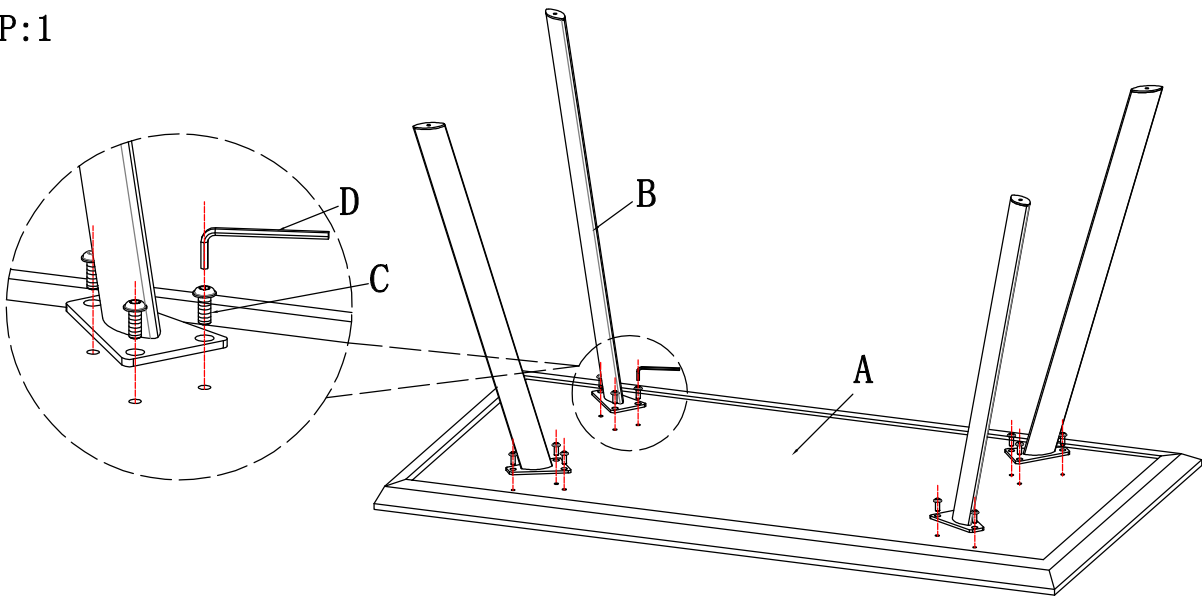
D × 1pc
6#
Spart part2



M8/ø22mm × 1PC



STEP:1



STEP:2

