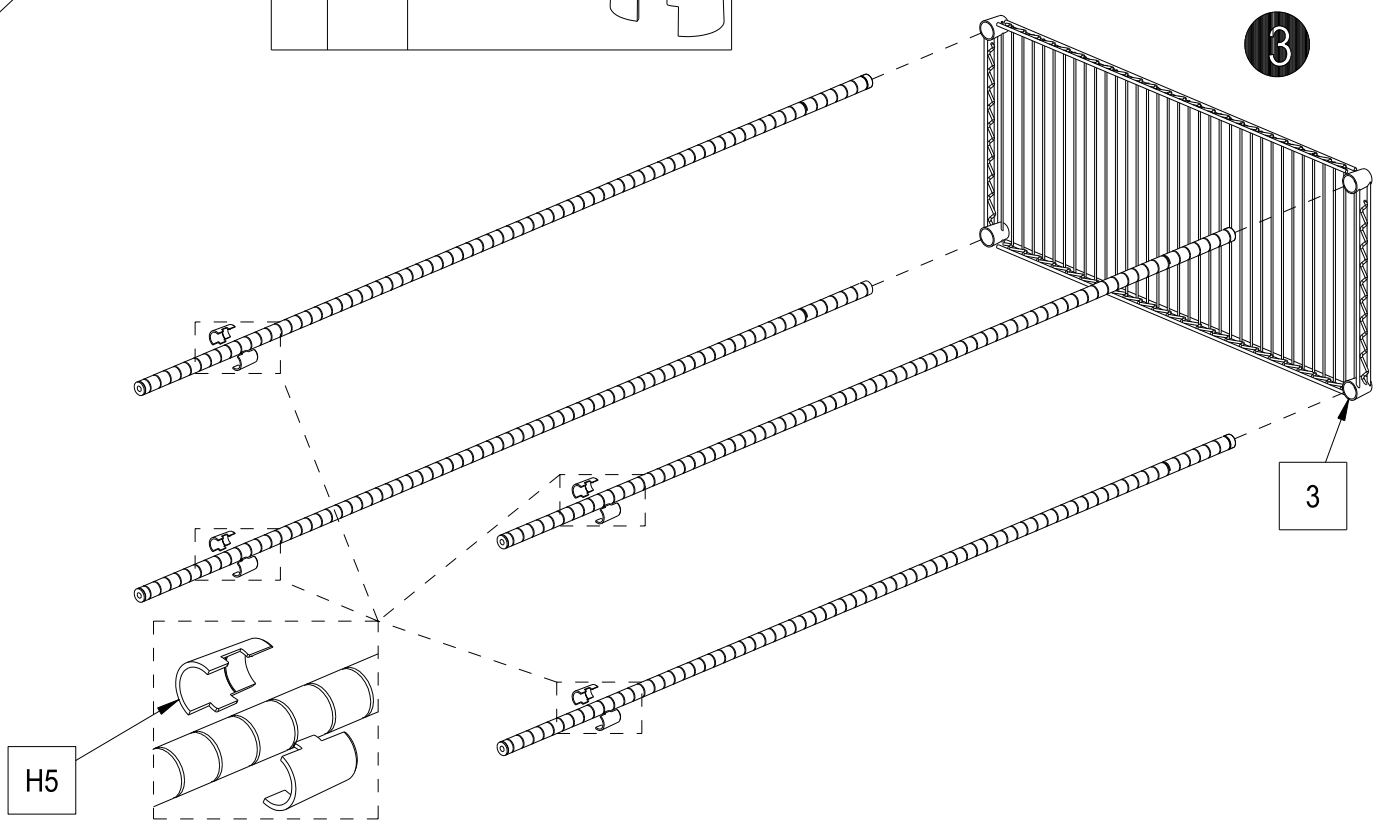
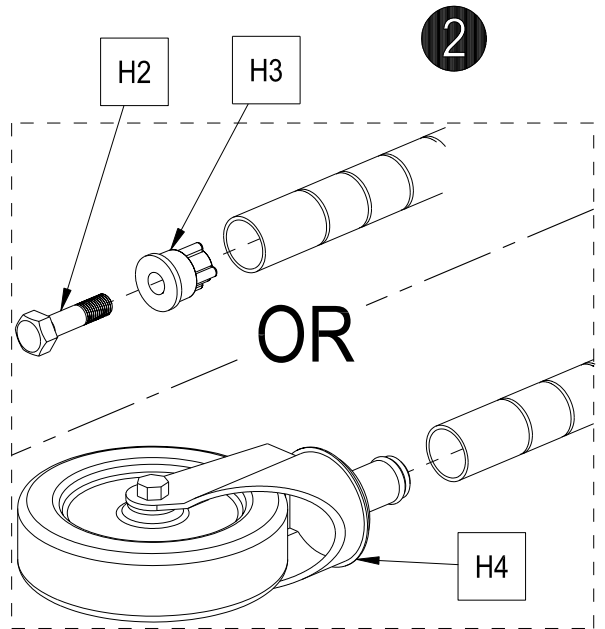
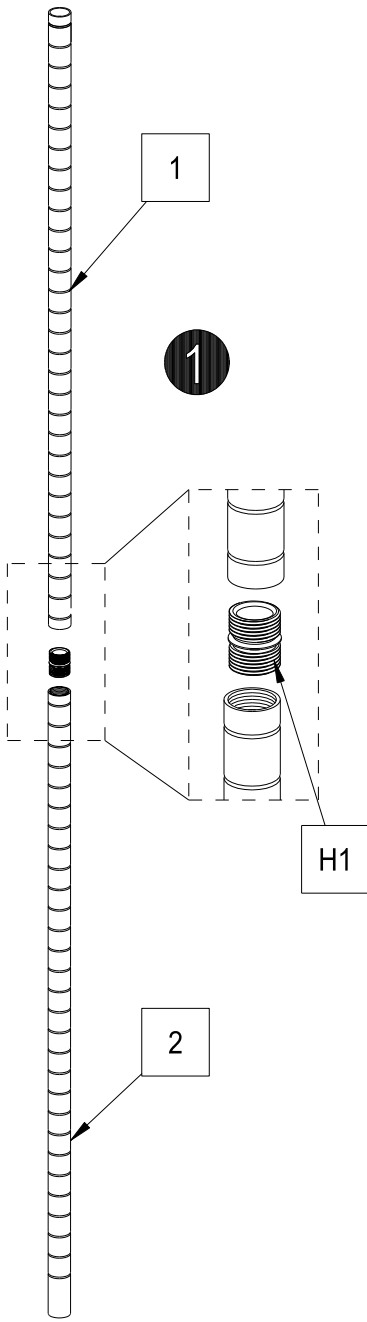


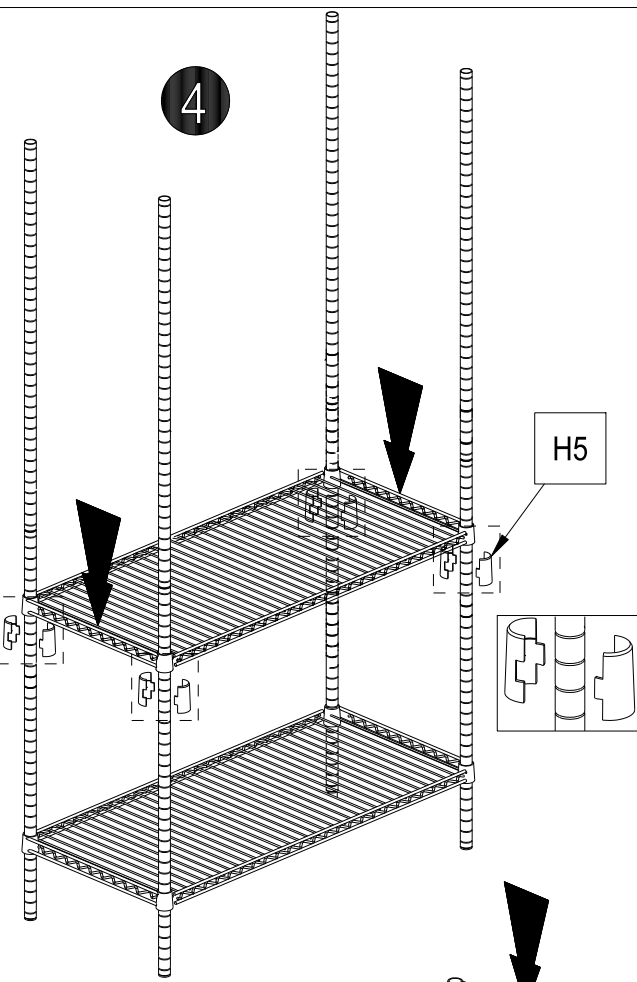
Best Value Kit

Assembly Instruction

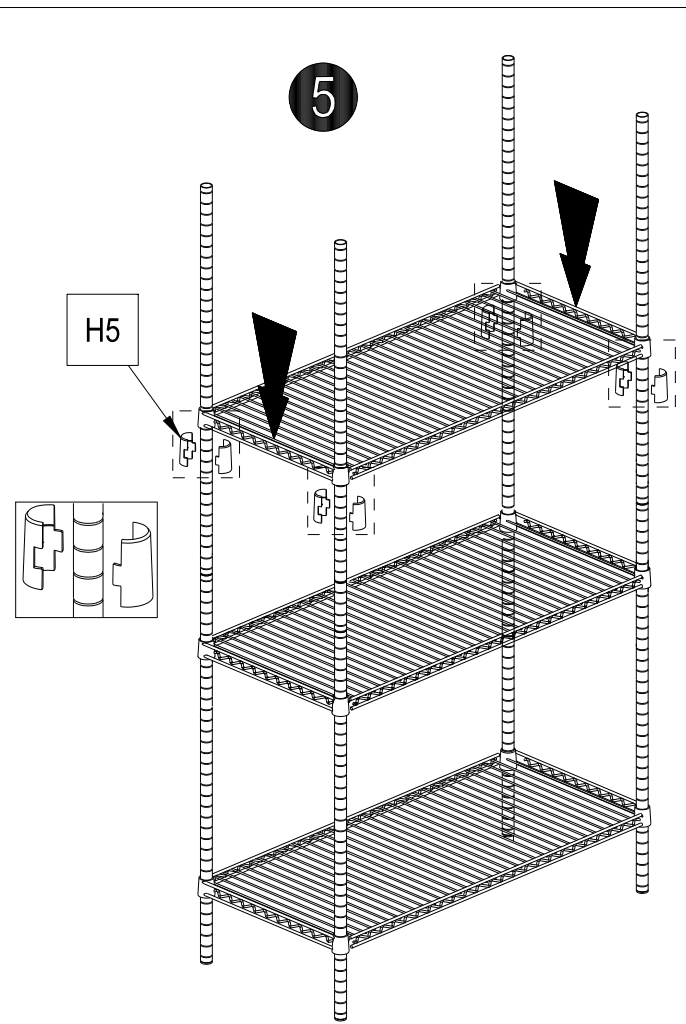
Contents		
Ref.	Qty.	Description
1	4	Top Half Post
2	4	Bottom Half Post
3	4	Shelf
H1	4	Coupling
H2	4	Foot Leveler
H3	4	Insert
H4	4	Optional
H5	16(Sets)	Post Clip



4

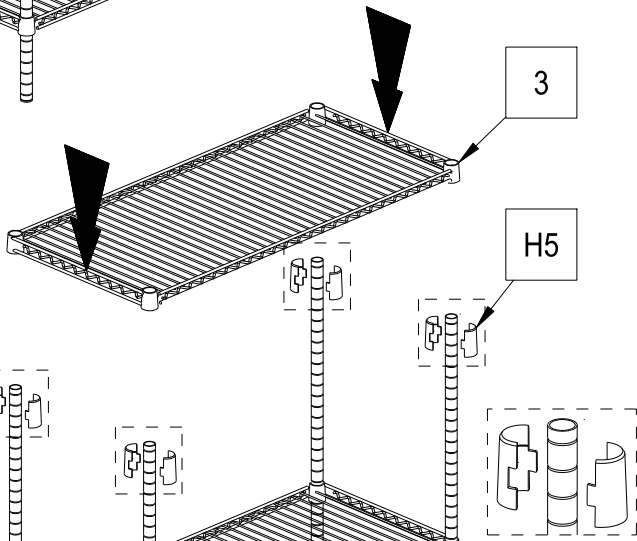


5

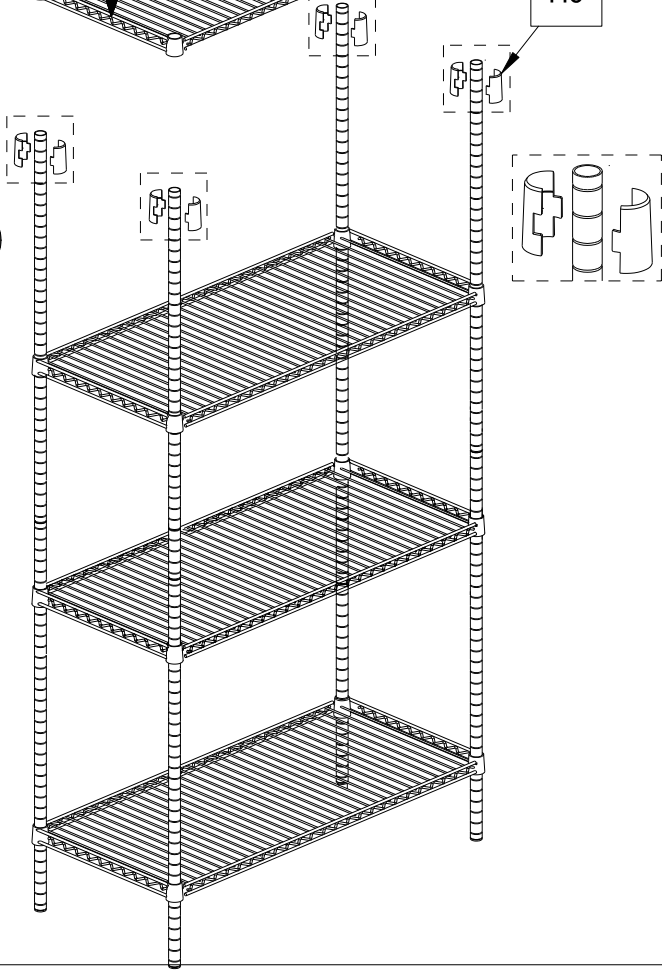


3

H5



6



7

