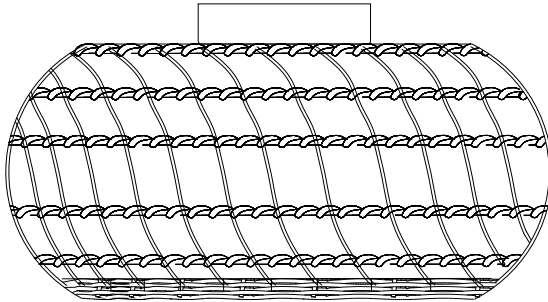


# Assembly Instructions

## 2-Light Ceiling Light Fixture



# Contact Us

## We're here to help you.

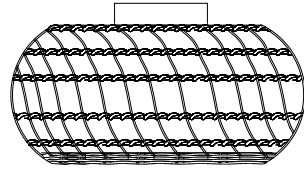
Your satisfaction is our top priority. If you encounter any issues with this product, such as missing or damaged parts, we're here to help. Please retain the original packaging and take photos of the packaging and the product, then contact us as soon as possible.

### Warm Tips

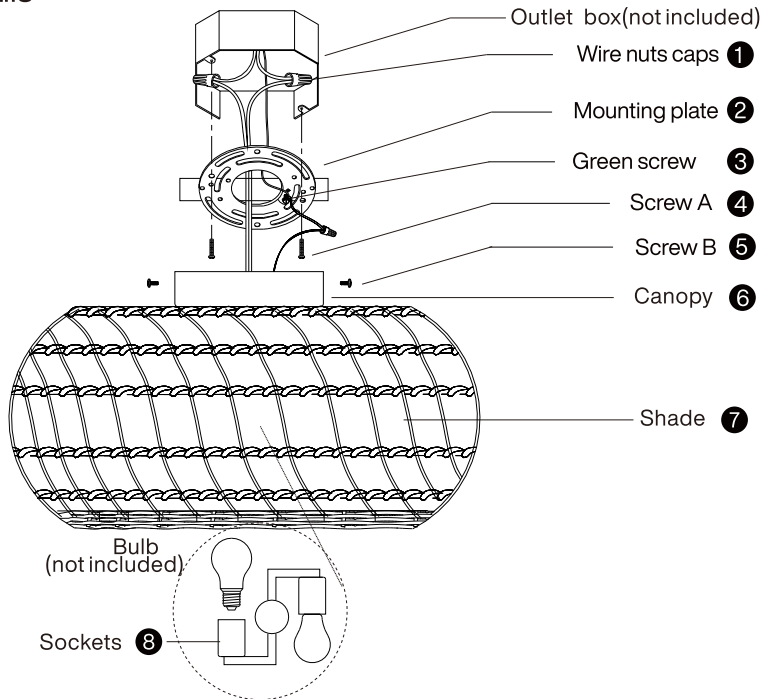
1. Carefully read these instructions and keep them for future reference.
2. Check the parts list and confirm everything's there before starting assembly.
3. When assembling, put all parts on a soft, smooth surface like a carpet to avoid scratches.
4. Don't fully tighten screws until all parts are confirmed in place to avoid misalignment.

## Technical Details

|             |               |
|-------------|---------------|
| Voltage     | 110-120V      |
| Wattage     | MAX 60W       |
| Base Type   | 2*E26         |
| Material    | Metal +Rattan |
| Metal Color | Black         |
| Style       | Traditional   |



## Product Details

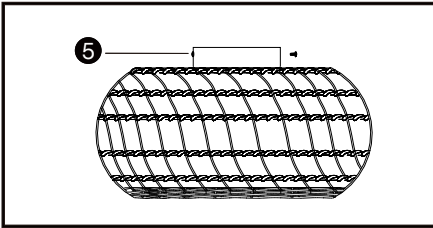


## Packing List

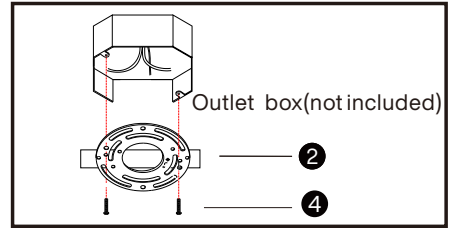
- |                      |                      |   |
|----------------------|----------------------|---|
| 3 x Wire nuts caps ① | 1 x Mounting plate ② | 1 x Green screw ( ground wire screw ) ③ |
| 2 x Screw A ④        | 2x Screw B ⑤         | 1 x Canopy ⑥                            |
| 1x Shade ⑦           | 2x Sockets ⑧         |   |

# Installation

Make sure you have cut off the electricity supply before installation

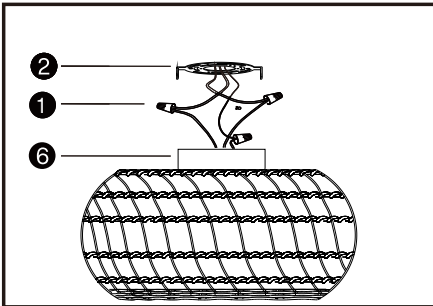


STEP1: Remove the mounting plate from the fixture base, and save the two screw B that were unscrewed. ( ② ⑤ )

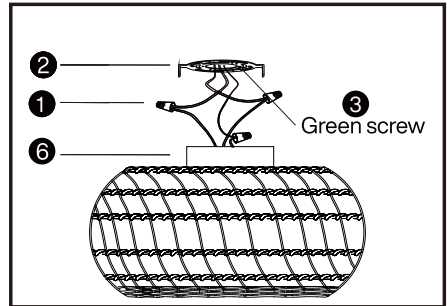


STEP2: Attach the mounting plate to the Outlet box(not included) ( ② ④ )

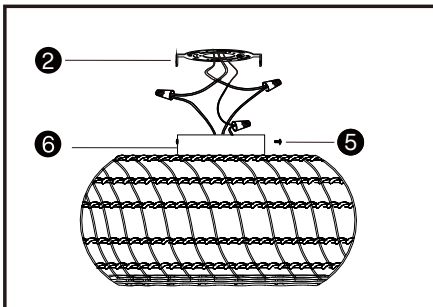
STEP3: Connect all wires correctly, black to black ( live wire ) and white to white (neutral wire), and cover the wire knot with wire nuts caps.



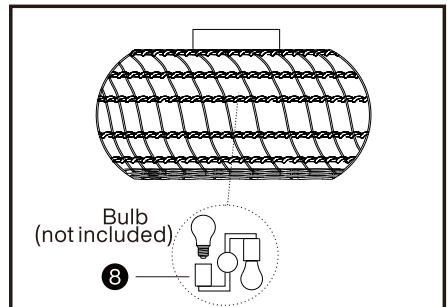
Way 1: Attach the copper wire to ground wire with wire nuts caps. ( ① )



Way 2: Attach copper wire to ground screw (the green screw on the mounting plate) ( ① ② ③ )



STEP4: Install the Ceiling light fixture onto the mounting plate with two screw B. ( ② ⑤ ⑥ )



STEP5: Install E26 light bulb. ( ⑧ )

 **Caution**

1. Make sure you have cut off the electricity supply before Installation.
2. Do not connect electricity until your fixture is fully assembled.
3. Keep flammable materials away from the light.
4. Keep children away from this product.
5. Compatible with a variety of E26 bulb types, Max 60W for a single light.
6. Keep children away from this product.
7. Keep the light surface clean.

## Notice

This warranty does not cover:

- (A) Failure or damage due to the improper use, repair or remodeling.
- (B) Failure or damage because of failing.
- (C) Failure or damage caused by fire, earthquake, flood, lightning and other natural disasters.
- (D) Failure or damage when used other than its intended use.
- (E) Failure or damage caused by the third-party products other than this product.

Thank you for your support!

